



# Wisconsin Department of Transportation

June 6, 2017

**Division of Transportation Systems Development**

Bureau of Project Development  
 4802 Sheboygan Avenue, Rm 601  
 P O Box 7916  
 Madison, WI 53707-7916

Telephone: (608) 266-1631  
 Facsimile (FAX): (608) 266-8459

**NOTICE TO ALL CONTRACTORS:**

**Proposal #32: 4125-08-71, WISC 2017 363  
 Green Bay - Kewaunee  
 USH 141 – East County Line  
 STH 32  
 Brown County**

**Letting of June 13, 2017**

This is Addendum No. 01, which provides for the following:

**Schedule of Items**

Added Bid Item Quantities					
Bid Item	Item Description	Unit	Old Quantity	Revised Quantity	Proposal Total
460.6224	HMA Pavement 4 MT 58-28 S	TON	0	24,368	24,368
465.0105	Asphaltic Surface	TON	0	803	803

Deleted Bid Item Quantities					
Bid Item	Item Description	Unit	Old Quantity	Revised Quantity	Proposal Total
460.2000	Incentive Density HMA Pavement	DOL	445	-445	0
460.5224	HMA Pavement 4 LT 58-28 S	TON	24,671	-24,671	0

**Plan Sheets**

Revised Plan Sheets	
Plan Sheet	Plan Sheet Title (brief description of changes to sheet)
10	Construction Details – revised the detail for culvert pipe replacements
35	Miscellaneous Quantities – revised the asphaltic materials quantities/table
37	Miscellaneous Quantities – revised culvert items table

**Schedule of Items**

Attached, dated June 6, 2017, are the revised Schedule of Items Pages 1 – 5.

**Plan Sheets**

The following 8½ x 11-inch sheets are attached and made part of the plans for this proposal:

Revised: 10, 35, 37

The responsibility for notifying potential subcontractors and suppliers of these changes remains with the prime contractor.

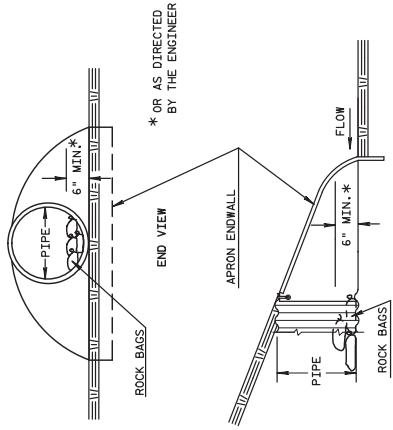
Sincerely,

*Mike Coleman*

Proposal Development Specialist  
Proposal Management Section

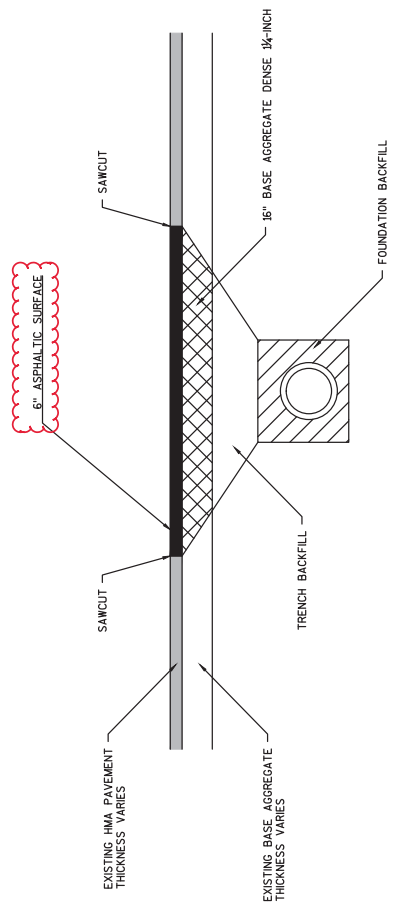
END OF ADDENDUM

Addendum No. 01  
 ID 4125-08-71  
 Revised Sheet 10  
 June 6, 2017



SIDE VIEW

CULVERT PIPE DITCH CHECK



DETAIL FOR CULVERT PIPE REPLACEMENT

PROJECT NO: 4125-08-71	COUNTY: BROWN	CONSTRUCTION DETAILS	SHEET 10	E
FILE NAME : N:\PDS\C3D\41250800\SHEETS\PLAN\02401_CD.DWG	HWY: STH 29	PLOT DATE : 6/5/2017 2:44 PM	PLOT SCALE : 1 IN:200 FT	WISDOT/CADD SHEET 42
		FLOT BY : BERTUCCI, MATTHEW T		

Addendum No. 01  
ID 4125-08-71  
Revised Sheet 35  
June 6, 2017

BASE AGGREGATE SUMMARY

STATION	TO	STATION	LOCATION	305.0110		305.0120		305.0500		624.0100		REMARKS
				BASE AGGREGATE DENSE	3/4-INCH	BASE AGGREGATE DENSE	1 1/4-INCH	BASE AGGREGATE DENSE	SHAPING SHOULDERS	BASE AGGREGATE DENSE	WATER	
				TON	STA	TON	STA	TON	STA	MGAL		
102+00	-	109+42	STH 29	14	0.1							
109+42	-	114+50	STH 29	29	9							
114+50	-	194+25	STH 29	528	154	286						1 1/4-INCH BAD AT CULVERT REPLACEMENT LOCATIONS
194+25	-	221+50	STH 29	176	2	57						1 1/4-INCH BAD AT CULVERT REPLACEMENT LOCATIONS
221+50	-	247+75	STH 29	165	4	194						1 1/4-INCH BAD AT CULVERT REPLACEMENT LOCATIONS
247+75	-	273+75	STH 29	162	2							
273+75	-	299+75	STH 29	153	2							
299+75	-	326+75	STH 29	166	2	65						1 1/4-INCH BAD AT CULVERT REPLACEMENT LOCATIONS
326+75	-	353+50	STH 29	149	3	159						1 1/4-INCH BAD AT CULVERT REPLACEMENT LOCATIONS
353+50	-	380+25	STH 29	130	3	180						1 1/4-INCH BAD AT CULVERT REPLACEMENT LOCATIONS
380+25	-	406+50	STH 29	161	2	57						1 1/4-INCH BAD AT CULVERT REPLACEMENT LOCATIONS
406+50	-	458+75	STH 29	325	4	59						1 1/4-INCH BAD AT CULVERT REPLACEMENT LOCATIONS
458+75	-	513+42	STH 29	363	4							
<b>TOTAL</b>				<b>2,521</b>		<b>1,057</b>		<b>747</b>		<b>36</b>		

ASPHALTIC MATERIALS SUMMARY

Station	To	Station	Location	SPV.0180.01 CIR Partial Depth	SY	SPV.0180.01 Asphalt Stabilizing Agent	TON	456.0605 Tack Coat	GAL	Leveling Layer HMA Pavement 4 MT 58-28 S		Upper Layer HMA Pavement 4 MT 58-28 S		460.4110.S Reheating HMA Pavement Longitudinal Joints	465.0105 Asphaltic Surface	465.0120 ASPHALTIC SURFACE AND FIELD ENTRANCES		
										TON	TON	TON	TON				TON	TON
102+00	109+42	109+42	STH 29					259										
109+42	116+00	116+00	STH 29	2,227	12			324		122	186	305	186	742				
116+00	195+00	195+00	STH 29	29,580	147			3,349		1,250	2,238	3,209	3,209	15,316		13		
195+00	223+00	223+00	STH 29	10,210	51			1,258		471	793	1,209	793	15,800	76	42		
223+00	249+00	249+00	STH 29	9,525	48			1,187		444	737	1,143	737	5,600	15	10		
249+00	275+00	275+00	STH 29	9,614	48			1,139		425	737	1,095	737	5,200	51	5		
275+00	301+00	301+00	STH 29	9,503	48			1,177		435	737	1,119	737	5,200		9		
301+00	328+00	328+00	STH 29	9,903	50			1,238		460	765	1,183	765	5,200		29		
328+00	362+00	362+00	STH 29	11,868	58			1,624		601	963	1,546	963	5,400	17	21		
362+00	382+00	382+00	STH 29	6,767	34			956		358	567	919	567	6,800	92	36		
382+00	408+00	408+00	STH 29	9,603	48			1,169		435	737	1,114	737	4,000	18	8		
408+00	460+50	460+50	STH 29	19,421	97			2,346		876	2,255	1,488	2,255	5,200	18	25		
460+50	513+42	513+42	STH 29	19,992	99			2,209		825	1,499	2,124	1,499	10,500	16	19		
<b>UNDISTRIBUTED</b>																		
<b>TOTAL</b>				<b>148,213</b>	<b>740</b>			<b>18,235</b>		<b>6,702</b>	<b>17,666</b>	<b>11,447</b>	<b>17,221</b>	<b>445</b>	<b>81,542</b>	<b>500</b>	<b>233</b>	

Total HMA Pavement 4 MT 58-28 S (Item No. 460.6224): 6,702 TON Leveling Layer + 17,666 Upper Layer = **24,368 TON**  
 \* Tonnage is eligible for Incentive Density PwL 460.2005 and Incentive Air Voids 460.2010.  
 \*\* No Incentive or disincentive will be paid for density.  
 \*\*\* Undistributed Asphaltic surface for correcting potential yielding areas per the Prepare Foundation for HMA Layer item.

CULVERT SUMMARY

STATION	INLET END		DISCHARGE END		SLOPE	522.0324		522.0330		522.1024		522.1030		522.1036		523.0424		523.0524		633.5200		SPV.0060.01		SPV.0060.02		SPV.0060.03			
	OFFSET	ELEVATION	STATION	OFFSET		ELEVATION	CLASS	IV	LF	CLASS	IV	LF	CLASS	IV	LF	CLASS	IV	LF	CLASS	IV	LF	MARKERS	EXISTING	RECONNECT	SAWING	STORM	FINISHING	CROSS	CULVERTS
137+44.0	30.1' LT	762.56	137+44.3	30.1' RT	761.94	24-INCH	30-INCH	44	24-INCH	30-INCH	44	24-INCH	30-INCH	44	24-INCH	30-INCH	44	24-INCH	30-INCH	44	2	---	---	---	---	---	---	---	1
137+51.1	30.1' LT	762.56	137+51.5	30.1' RT	761.94	24-INCH	30-INCH	44	24-INCH	30-INCH	44	24-INCH	30-INCH	44	24-INCH	30-INCH	44	24-INCH	30-INCH	44	2	---	---	---	---	---	---	---	1
169+45.6	31.0' RT	794.87	169+45.9	31.0' LT	794.51	24-INCH	30-INCH	48	24-INCH	30-INCH	48	24-INCH	30-INCH	48	24-INCH	30-INCH	48	24-INCH	30-INCH	48	2	---	---	---	---	---	---	---	1
179+03.0	30.1' RT	794.61	179+00.7	30.1' LT	794.49	24-INCH	30-INCH	50	24-INCH	30-INCH	50	24-INCH	30-INCH	50	24-INCH	30-INCH	50	24-INCH	30-INCH	50	2	---	---	---	---	---	---	---	1
184+47.5	31.5' RT	793.92	184+46.1	30.7' LT	793.50	24-INCH	30-INCH	50	24-INCH	30-INCH	50	24-INCH	30-INCH	50	24-INCH	30-INCH	50	24-INCH	30-INCH	50	2	---	---	---	---	---	---	---	1
184+52.5	31.5' RT	793.92	184+51.1	30.7' LT	793.50	24-INCH	30-INCH	50	24-INCH	30-INCH	50	24-INCH	30-INCH	50	24-INCH	30-INCH	50	24-INCH	30-INCH	50	2	---	---	---	---	---	---	---	1
202+67.2	31.0' LT	796.74	202+66.3	31.0' RT	796.17	24-INCH	30-INCH	50	24-INCH	30-INCH	50	24-INCH	30-INCH	50	24-INCH	30-INCH	50	24-INCH	30-INCH	50	2	---	---	---	---	---	---	---	1
224+90.2	30.8' LT	801.19	224+89.7	31.5' RT	799.90	24-INCH	30-INCH	52	24-INCH	30-INCH	52	24-INCH	30-INCH	52	24-INCH	30-INCH	52	24-INCH	30-INCH	52	2	---	---	---	---	---	---	---	1
240+68.6	33.1' LT	801.30	240+69.9	31.1' RT	800.76	24-INCH	30-INCH	54	24-INCH	30-INCH	54	24-INCH	30-INCH	54	24-INCH	30-INCH	54	24-INCH	30-INCH	54	2	---	---	---	---	---	---	---	1
245+36.6	30.1' RT	799.23	245+34.6	36.2' LT	798.29	24-INCH	30-INCH	54	24-INCH	30-INCH	54	24-INCH	30-INCH	54	24-INCH	30-INCH	54	24-INCH	30-INCH	54	2	---	---	---	---	---	---	---	1
316+56.6	47.7' LT	802.25	316+54.6	46.5' RT	802.08	24-INCH	30-INCH	78	24-INCH	30-INCH	78	24-INCH	30-INCH	78	24-INCH	30-INCH	78	24-INCH	30-INCH	78	2	---	---	---	---	---	---	---	1
335+86.1	31.4' RT	807.56	335+86.5	32.9' LT	807.14	24-INCH	30-INCH	52	24-INCH	30-INCH	52	24-INCH	30-INCH	52	24-INCH	30-INCH	52	24-INCH	30-INCH	52	2	---	---	---	---	---	---	---	1
352+99.1	48.6' LT	813.72	353+06.0	45.4' RT	813.51	24-INCH	30-INCH	82	24-INCH	30-INCH	82	24-INCH	30-INCH	82	24-INCH	30-INCH	82	24-INCH	30-INCH	82	2	---	---	---	---	---	---	---	1
354+06.9	55.5' LT	814.75	353+81.8	35.9' RT	814.16	24-INCH	30-INCH	89	24-INCH	30-INCH	89	24-INCH	30-INCH	89	24-INCH	30-INCH	89	24-INCH	30-INCH	89	2	---	---	---	---	---	---	---	1
364+28.3	31.2' LT	821.06	364+31.2	33.0' RT	820.09	24-INCH	30-INCH	52	24-INCH	30-INCH	52	24-INCH	30-INCH	52	24-INCH	30-INCH	52	24-INCH	30-INCH	52	2	---	---	---	---	---	---	---	1
382+11.4	33.3' LT	833.45	382+12.0	33.0' RT	833.16	24-INCH	30-INCH	54	24-INCH	30-INCH	54	24-INCH	30-INCH	54	24-INCH	30-INCH	54	24-INCH	30-INCH	54	2	---	---	---	---	---	---	---	1
409+12.1	44.4' LT	844.38	409+10.4	47.9' RT	843.86	24-INCH	30-INCH	80	24-INCH	30-INCH	80	24-INCH	30-INCH	80	24-INCH	30-INCH	80	24-INCH	30-INCH	80	2	---	---	---	---	---	---	---	1
<b>TOTALS</b>					<b>613</b>	<b>100</b>	<b>166</b>	<b>19</b>	<b>4</b>	<b>6</b>	<b>100</b>	<b>4</b>	<b>33</b>	<b>1</b>	<b>3</b>	<b>3</b>	<b>4</b>	<b>100</b>	<b>4</b>	<b>33</b>	<b>3</b>	<b>3</b>	<b>1</b>	<b>1</b>	<b>15</b>	<b>15</b>	<b>15</b>		

NOTE: 1) STATION OFFSETS SHOWN ARE TO THE END OF THE APRON ENDWALL

Addendum No. 01  
ID 4125-08-71  
Revised Sheet 37  
June 6, 2017

CONCRETE CURB AND GUTTER 6-INCH SLOPED 36-INCH TYPE D

STATION	OFFSET	TO	STATION	OFFSET	LOCATION	LF
273+22	24' RT	-	273+61	62' RT	STH 29/LILY LAKE RD	58
352+91	28' LT	-	353+08	38' LT	STH 29/CTH T	20
352+95	24' RT	-	353+13	32' RT	STH 29/CTH T	20
353+76	40' RT	-	353+90	26' RT	STH 29/CTH T	20
353+97	49' RT	-	354+09	34' RT	STH 29/CTH T	20
<b>TOTAL</b>						<b>138</b>



Proposal Schedule of Items

Proposal ID: 20170613032 Project(s): 4125-08-71

Federal ID(s): WISC 2017363

SECTION: 0001

Contract Items

Alt Set ID:

Alt Mbr ID:

Proposal Line Number	Item ID Description	Approximate Quantity and Units	Unit Price	Bid Amount
0010	203.0100 Removing Small Pipe Culverts	15.000 EACH	_____	_____
0020	204.0115 Removing Asphaltic Surface Butt Joints	527.000 SY	_____	_____
0030	204.0120 Removing Asphaltic Surface Milling	31,260.000 SY	_____	_____
0040	204.0150 Removing Curb & Gutter	138.000 LF	_____	_____
0050	213.0100 Finishing Roadway (project) 01. 4125-08-71	1.000 EACH	_____	_____
0060	305.0110 Base Aggregate Dense 3/4-Inch	2,521.000 TON	_____	_____
0070	305.0120 Base Aggregate Dense 1 1/4-Inch	1,057.000 TON	_____	_____
0080	305.0500 Shaping Shoulders	747.000 STA	_____	_____
0090	440.4410 Incentive IRI Ride	31,168.000 DOL	1.00000	31,168.00
0100	450.4000 HMA Cold Weather Paving	2,500.000 TON	_____	_____
0110	455.0605 Tack Coat	18,235.000 GAL	_____	_____
0130	460.2005 Incentive Density PWL HMA Pavement	11,447.000 DOL	1.00000	11,447.00
0140	460.2010 Incentive Air Voids HMA Pavement	17,221.000 DOL	1.00000	17,221.00
0150	460.4110.S Reheating HMA Pavement Longitudinal Joints	81,542.000 LF	_____	_____
0170	465.0120 Asphaltic Surface Driveways and Field Entrances	233.000 TON	_____	_____
0180	465.0425 Asphaltic Shoulder Rumble Strips 2-Lane Rural	53,513.000 LF	_____	_____



Proposal Schedule of Items

Proposal ID: 20170613032 Project(s): 4125-08-71

Federal ID(s): WISC 2017363

SECTION: 0001

Contract Items

Alt Set ID:

Alt Mbr ID:

Proposal Line Number	Item ID Description	Approximate Quantity and Units	Unit Price	Bid Amount
0190	465.0475 Asphalt Center Line Rumble Strips 2-Lane Rural	28,737.000 LF	_____.	_____.
0200	522.0324 Culvert Pipe Reinforced Concrete Class IV 24-Inch	613.000 LF	_____.	_____.
0210	522.0330 Culvert Pipe Reinforced Concrete Class IV 30-Inch	100.000 LF	_____.	_____.
0220	522.0336 Culvert Pipe Reinforced Concrete Class IV 36-Inch	166.000 LF	_____.	_____.
0230	522.1024 Apron Endwalls for Culvert Pipe Reinforced Concrete 24-Inch	19.000 EACH	_____.	_____.
0240	522.1030 Apron Endwalls for Culvert Pipe Reinforced Concrete 30-Inch	4.000 EACH	_____.	_____.
0250	522.1036 Apron Endwalls for Culvert Pipe Reinforced Concrete 36-Inch	6.000 EACH	_____.	_____.
0260	523.0424 Culvert Pipe Reinforced Concrete Horizontal Elliptical Class HE-IV 24x38-Inch	100.000 LF	_____.	_____.
0270	523.0524 Apron Endwalls for Culvert Pipe Reinforced Concrete Horizontal Elliptical 24x38-Inch	4.000 EACH	_____.	_____.
0280	601.0557 Concrete Curb & Gutter 6-Inch Sloped 36-Inch Type D	138.000 LF	_____.	_____.
0290	618.0100 Maintenance And Repair of Haul Roads (project) 01. 4125-08-71	1.000 EACH	_____.	_____.
0300	619.1000 Mobilization	1.000 EACH	_____.	_____.
0310	624.0100 Water	36.000 MGAL	_____.	_____.



Proposal Schedule of Items

Proposal ID: 20170613032 Project(s): 4125-08-71

Federal ID(s): WISC 2017363

SECTION: 0001

Contract Items

Alt Set ID:

Alt Mbr ID:

Proposal Line Number	Item ID Description	Approximate Quantity and Units	Unit Price	Bid Amount
0320	628.1504 Silt Fence	2,294.000 LF	_____.	_____.
0330	628.1520 Silt Fence Maintenance	2,294.000 LF	_____.	_____.
0340	628.1905 Mobilizations Erosion Control	3.000 EACH	_____.	_____.
0350	628.1910 Mobilizations Emergency Erosion Control	1.000 EACH	_____.	_____.
0360	628.7555 Culvert Pipe Checks	94.000 EACH	_____.	_____.
0370	633.5200 Markers Culvert End	33.000 EACH	_____.	_____.
0380	634.0614 Posts Wood 4x6-Inch X 14-FT	110.000 EACH	_____.	_____.
0390	634.0616 Posts Wood 4x6-Inch X 16-FT	22.000 EACH	_____.	_____.
0400	634.0618 Posts Wood 4x6-Inch X 18-FT	5.000 EACH	_____.	_____.
0410	637.2210 Signs Type II Reflective H	738.830 SF	_____.	_____.
0420	637.2230 Signs Type II Reflective F	228.890 SF	_____.	_____.
0430	638.2602 Removing Signs Type II	132.000 EACH	_____.	_____.
0440	638.3000 Removing Small Sign Supports	139.000 EACH	_____.	_____.
0450	642.5001 Field Office Type B	1.000 EACH	_____.	_____.
0460	643.0100 Traffic Control (project) 01. 4125-08-71	1.000 EACH	_____.	_____.
0470	643.0300 Traffic Control Drums	240.000 DAY	_____.	_____.
0480	643.0310.S Temporary Portable Rumble Strips	1.000 LS	_____.	_____.





## Proposal Schedule of Items

Proposal ID: 20170613032 Project(s): 4125-08-71

Federal ID(s): WISC 2017363

SECTION: 0001

Contract Items

Alt Set ID:

Alt Mbr ID:

Proposal Line Number	Item ID Description	Approximate Quantity and Units	Unit Price	Bid Amount
0490	643.0900 Traffic Control Signs	3,074.000 DAY	_____.	_____.
0500	643.1050 Traffic Control Signs PCMS	14.000 DAY	_____.	_____.
0510	646.0106 Pavement Marking Epoxy 4-Inch	21,281.000 LF	_____.	_____.
0520	646.0406 Pavement Marking Same Day Epoxy 4-Inch	21,281.000 LF	_____.	_____.
0530	646.2304.S Pavement Marking Grooved Wet Reflective Epoxy 4-Inch	75,302.000 LF	_____.	_____.
0540	646.2308.S Pavement Marking Grooved Wet Reflective Epoxy 8-Inch	185.000 LF	_____.	_____.
0550	647.0110 Pavement Marking Railroad Crossings Epoxy	2.000 EACH	_____.	_____.
0560	648.0100 Locating No-Passing Zones	7.780 MI	_____.	_____.
0570	649.0402 Temporary Pavement Marking Paint 4-Inch	9,871.000 LF	_____.	_____.
0580	650.6000 Construction Staking Pipe Culverts	17.000 EACH	_____.	_____.
0590	650.8000 Construction Staking Resurfacing Reference	41,142.000 LF	_____.	_____.
0600	650.9910 Construction Staking Supplemental Control (project) 01. 4125-08-71	LS	LUMP SUM	_____.
0610	690.0150 Sawing Asphalt	3,291.000 LF	_____.	_____.
0620	690.0250 Sawing Concrete	30.000 LF	_____.	_____.
0630	ASP.1T0A On-the-Job Training Apprentice at \$5.00/HR	1,320.000 HRS	5.00000	6,600.00



Proposal Schedule of Items

Proposal ID: 20170613032 Project(s): 4125-08-71  
 Federal ID(s): WISC 2017363

SECTION: 0001 Contract Items

Alt Set ID: Alt Mbr ID:

Proposal Line Number	Item ID Description	Approximate Quantity and Units	Unit Price	Bid Amount
0640	ASP.1T0G On-the-Job Training Graduate at \$5.00/HR	2,000.000 HRS	5.00000	10,000.00
0650	SPV.0035 Special 01. Base Repair for CIR Pavement	500.000 CY	_____.	_____.
0660	SPV.0060 Special 01. Reconnect Existing Storm Sewer Lateral	3.000 EACH	_____.	_____.
0670	SPV.0060 Special 02. Sawing Storm Sewer Structure	1.000 EACH	_____.	_____.
0680	SPV.0060 Special 03. Grading, Shaping and Finishing Cross Culverts	15.000 EACH	_____.	_____.
0690	SPV.0060 Special 04. Hot Mix Asphalt Percent Within Limits (PWL) Test Strip	1.000 EACH	_____.	_____.
0700	SPV.0105 Special 01. Prepare Foundation for CIR Asphalt Pavement 4125-08-71	LS	LUMP SUM	_____.
0710	SPV.0105 Special 02. Prepare Foundation for HMA Layer 4125-08-71	LS	LUMP SUM	_____.
0720	SPV.0180 Special 01. Cold-In-Place Recycling (CIR) Partial Depth	148,213.000 SY	_____.	_____.
0730	SPV.0195 Special 01. Asphalt Stabilizing Agent	740.000 TON	_____.	_____.
0740	460.6224 HMA Pavement 4 MT 58-28 S	24,368.000 TON	_____.	_____.
0750	465.0105 Asphaltic Surface	803.000 TON	_____.	_____.
Section: 0001			Total:	_____.
			Total Bid:	_____.