

# Wisconsin Department of Transportation

June 19, 2017

**Division of Transportation Systems Development**

Bureau of Project Development  
 4802 Sheboygan Avenue, Rm 601  
 P O Box 7916  
 Madison, WI 53707-7916  
 mTelephone: (608) 266-1631  
 Telephone: (608) 266-1631  
 Facsimile (FAX): (608) 266-8459

**NOTICE TO ALL CONTRACTORS:**

**Proposal #01: 1003-10-84, WISC 2017 326  
 Illinois State Line - Madison  
 STH 11 to CTH O  
 IH 39  
 Rock County**

**1005-10-76, WISC 2017 327  
 Illinois State Line - Madison  
 CTH O to USH 14 Interchange North  
 IH 39  
 Rock County**

**1005-11-71  
 Illinois State Line – Madison  
 Racine St Inch/Midland Ct  
 Park & Ride  
 IH 39  
 Rock County**

**Letting of July 11, 2017**

This is Addendum No.01, which provides for the following:

**Special Provisions:**

Revised Special Provisions	
Article No.	Description
25	Notice to Contractor – Airport Operating Restriction – Site Specific
41	Base Aggregate Dense 1 ¼-Inch, Item 305.0120
145	Survey Project 1003-10-84, Item SPV.0105.001; 1005-10-76, Item SPV.0105.002; 1005-11-71, Item SPV.0105.003
156	Roadside Infiltration Ditch Compost, Item SPV.0180.150

**Schedule of Items:**

Revised Bid Item Quantities					
Bid Item	Item Description	Unit	Old Quantity	Revised Quantity	Proposal Total
205.0100	Excavation Common	CY	676,186	-69,199	606,987
208.1100	Select Borrow	CY	120,715	-66,530	54,185
624.0100	Water	MGAL	14,340.4	-139	14,201.4
630.0120	Seeding Mixture No. 20	LB	5,130	95	5,225

630.0130	Seeding Mixture No. 30	LB	4,794	-95	4,699
643.1000	Traffic Control Signs Fixed Message	SF	1,992.58	-434.75	1,557.83
645.0130	Geotextile Type R	SY	1,070	-675	395
646.0106	Pavement Marking Epoxy 4-Inch	LF	173,960	-11,400	162,560
646.0841.S	Pavement Marking Grooved Wet Reflective Contrast Tape 4-Inch	LF	13,560	-200	13,360
SPV.0035.001	Roadway Embankment	CY	236,256	180	236,436
SPV.0035.002	Roadside Infiltration Ditch Granular Backfill Sand	CY	23,030	-12,030	11,000
SPV.0060.201	Fixed Message Sign Portable Support	Each	37	-7	30
SPV.0090.150	Compost Tube	LF	40,515	-1,340	39,175
SPV.0180.150	Roadside Infiltration Ditch Compost	SY	27,105	-5,075	22,030

Deleted Bid Item Quantities					
Bid Item	Item Description	Unit	Old Quantity	Revised Quantity	Proposal Total
SPV.0105.001	Survey Project 1003-10-84	LS	1	-1	0
SPV.0105.002	Survey Project 1005-10-76	LS	1	-1	0

**Plan Sheets:**

Revised Plan Sheets	
Plan Sheet	Plan Sheet Title (brief description of changes to sheet)
<b>1003-10-84</b>	
14	Construction Details: Revised the Roadside Infiltration Ditch construction detail at the infiltration pond (VA Ramp).
21	Construction Details: Roadside infiltration ditching application was removed from the VD ramp and the grading at the bottom of the VD pond was updated.
54	Erosion Control - Stage 4 Phase 1: Select inlet and discharge elevation updates.
65	Storm Sewer: Select inlet and discharge elevation updates.
201	Miscellaneous Quantities: Updates to the Earthwork Summary table.
216	Miscellaneous Quantities: Updates to the Finishing Items table.
219	Miscellaneous Quantities: Updates to the Tracking Pads Summary table and Fixed Message Summary table.
228	Miscellaneous Quantities: Updates to the Roadside Infiltration Ditch Summary table and removal of the Survey Project table.
350	Special Sign Details: Removed sign plate detail that will be installed under ID 1003-10-76.
490	Earthwork: Updates to the EBS column.
491	Earthwork: Updates to the EBS column.
518-520	Cross Sections: Stage 2 Phase 2 (NB): Updates to pond VA.
594-596	Cross Sections: Stage 2 Phase 2 (NB): Updates to pond VA.
614-615	Cross Sections: Stage 2 Phase 2 (NB): Updates to pond VD.
<b>1005-10-76</b>	
1064	Pavement Marking: Removed pavement marking quantity
1065	Pavement Marking: Removed pavement marking quantity
1404	Miscellaneous Quantities: Revise pavement marking quantities

Deleted Plan Sheets	
Plan Sheet	Plan Sheet Title (brief description of why sheet was deleted)
<b>1005-10-76</b>	
1066	Pavement Marking: Removed due to staging of adjacent project.

The responsibility for notifying potential subcontractors and suppliers of these changes remains with the prime contractor.

Sincerely,

*Mike Coleman*

Proposal Development Specialist  
Proposal Management Section

**ADDENDUM NO. 01**  
**PROJECT ID 1003-10-84, 1005-10-76, 1005-11-**  
**June 19, 2017**

**Special Provisions**

**25. Notice to Contractor – Airport Operating Restrictions – Site Specific.**

*Add the following to the end of the table:*

Project ID	Structure	Location	Latitude	Longitude	Heights	Issue Date	Expiration Date	Aeronautical Study No.
1005-10-76	Crane (Temporary for B-53-214)	I-39 SB Milwaukee Street Crossing	42-41-47.4 N NAD 83	88-59-02.7 W	160 feet AGL 1034 feet AMSL	11/29/2016	05/29/2018	2016-AGL-15942-OE
1005-10-76	Crane (Temporary for B-53-337)	I-39 NB Mt. Zion Avenue Crossing	42-42-01.8 N NAD 83	88-59-01.9 W	160 feet AGL 1025 feet AMSL	11/29/2016	05/29/2018	2016-AGL-15943-OE

**41. Base Aggregate Dense 1 ¼-Inch, Item 305.0120.**

*Replace the first sentence with the following:*

*Revise standard spec 305.2.2.1 when base is ≥ 50% crushed gravel as follows:*

**145. Survey Project 1003-10-84, Item SPV.0105.001; 1005-10-76, Item SPV.0105.002; 1005-11-71, Item SPV.0105.003.**

*Replace entire article title and article language with the following:*

**145. Survey Project 1005-11-71, Item SPV.0105.003.**

**A Description**

Standard spec 105.6 and 650 are modified to define the requirements for construction staking for this contract.

*Add the following to standard spec 105.6.1:*

Horizontal and vertical control points, provided by the department, are generally at 1-mile intervals for horizontal control and at 1/2-mile intervals for vertical control. Control points will be provided in a hard copy and ASCII electronic format.

*Replace standard spec 105.6.2 with the following:*

The department will not perform any construction staking for this contract. The contractor shall perform all survey required to layout and construct the work under this contract, subject to engineer's approval.

The survey includes establishing horizontal and vertical position for all aspects of construction including but not limited to storm sewer, subgrade, base, curb, gutter, curb and gutter, pipe culverts, structure layout, pavement, barriers (temporary and permanent), electrical installations, supplemental control, slope stakes, ponds, ITS, FTMS, ramp gates, parking lots, utilities, landscaping elements, irrigation system layout, installation of community sensitive design elements, traffic control items, fencing, etc.

The department may choose to perform quality assurance survey during construction. This quality assurance survey does not relieve the contractor of the responsibility for furnishing all survey work required under this contract.

*Delete standard spec 650.1.*

**B (Vacant)**

**C Construction**

Survey required under this item shall be according to all pertinent requirements of standard spec 650 and shall include all other miscellaneous survey required to layout and construct all work under this contract.

**D Measurement**

The department will measure Survey Project (Project Number) as a single lump sum unit of work, acceptably completed.

**E Payment**

The department will pay for measured quantities at the contract unit price under the following bid item:

ITEM NUMBER	DESCRIPTION	UNIT
SPV.0105.003	Survey Project 1005-11-71	LS

Payment is full compensation for performing all survey work required to layout and construct all work under this contract.

(5/14/2013)

**156. Roadside Infiltration Ditch Compost.**

*Replace entire section titled C.3 Placement and Settling of Roadside Infiltration Ditch Compost with the following:*

**C.3 Preparation, Placement and Settling of Roadside Infiltration Ditch Compost**

**IH 39 NB/SB Roadside Infiltration Ditch Compost**

Place 4-inches of roadside infiltration ditch compost on top of previously placed roadside infiltration ditch granular backfill sand, as detailed in the plan, within the same calendar day of the roadside infiltration ditch granular backfill sand placement. The placement of roadside infiltration ditch granular backfill sand is paid for separately.

Rototill the 4-inches of roadside infiltration ditch compost into the previously placed roadside infiltration ditch granular backfill sand to an elevation approximately 1-foot below the proposed elevation of the roadside infiltration ditch.

Methods to induce mild settling of the roadside infiltration ditch compost layer, such as lightly tamping, may be used to prepare a stable planting medium and to stabilize the ponding depth. Vibrating-style plate compactors or other vibratory compactors are not allowed to induce settling.

**Infiltration Pond (VA Ramp)**

As detailed in the plans, excavate the roadside infiltration ditch area to a depth of 4 inches. Excavation of the roadside infiltration ditch area is paid for separately under bid item Excavation Common. Within the same calendar day of excavation, place 4 inches of roadside infiltration ditch compost.

Rototill the 4-inches of roadside infiltration ditch compost into the existing sand and gravel strata to an elevation approximately 1-foot below the proposed elevation of the roadside infiltration ditch.

Methods to induce mild settling of the roadside infiltration ditch compost layer, such as lightly tamping, may be used to prepare a stable planting medium and to stabilize the ponding depth. Vibrating-style plate compactors or other vibratory compactors are not allowed to induce settling.

*Replace the last paragraph in section titled **C.4 Compaction Avoidance** with the following:*

Avoid smearing during the placement of the roadside infiltration ditch compost of the existing sand and gravel strata or the previously placed roadside infiltration ditch granular backfill sand layer and the roadside infiltration ditch compost layer.

**Schedule of Items**

Attached, dated June 19, 2017, are the revised Schedule of Items Pages 4, 5, 23, 25, 27, 28, 33, 35, and 37-39.

**Plan Sheets**

The following 8½ x 11-inch sheets are attached and made part of the plans for this proposal:

1003-10-84:

Revised: 14, 21, 54, 65, 201, 216, 219, 228, 350, 490, 491, 518-520, 594-596, and 614-615

1005-10-76:

Revised: 1064-1065, and 1404

Deleted: 1066

END OF ADDENDUM

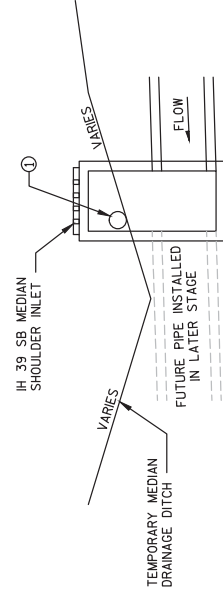
Addendum No. 01  
 ID 1003-10-84  
 Revised Sheet 14  
 June 19, 2017

2

TEMPORARY DRAINAGE RELIEF CUTOUT INVERT ELEVATION TABLE	INVERT ELEV.
580B	842.57
590B	844.32
600B	846.07
630B	849.46
700B	852.40

① PROVIDE A 6-INCH DIAMETER TEMPORARY RELIEF CUTOUT ON THE DOWNSTREAM DITCH SIDE OF THE INLET STRUCTURE. (SEE TABLE FOR INVERT ELEVATIONS.) (INCLUDED IN ITEM INLETS 2X2.5-FT) AFTER THE 6-INCH DIAMETER TEMPORARY RELIEF CUTOUT IS NO LONGER NEEDED TO MAINTAIN TEMPORARY INLET DRAINAGE, SEAL WITH MORTAR. (INCLUDED IN ITEM INLETS 2X2.5-FT)

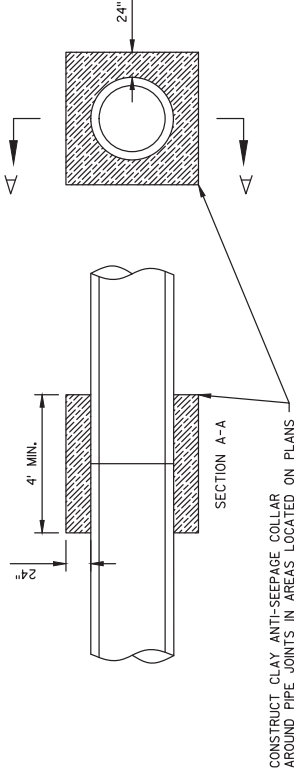
NOTE: REFER TO CROSS SECTIONS AND EROSION CONTROL PLANS FOR ADDITIONAL INFORMATION.



TEMPORARY DRAINAGE RELIEF CUTOUT DETAIL  
 STAGE 2 PHASE 3/PHASE 3

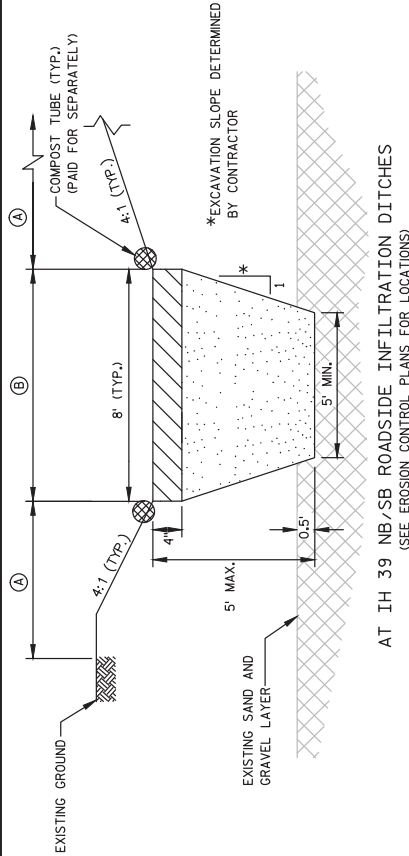
INLET STRUCTURES: 580B, 590B, 600B, 630B AND 700B

2



CLAY ANTI-SEEPAGE COLLAR DETAIL  
 STA. 626+30, RT  
 STA. 626+35 SB, LT

CONSTRUCT CLAY ANTI-SEEPAGE COLLAR AROUND PIPE JOINTS IN AREAS LOCATED ON PLANS



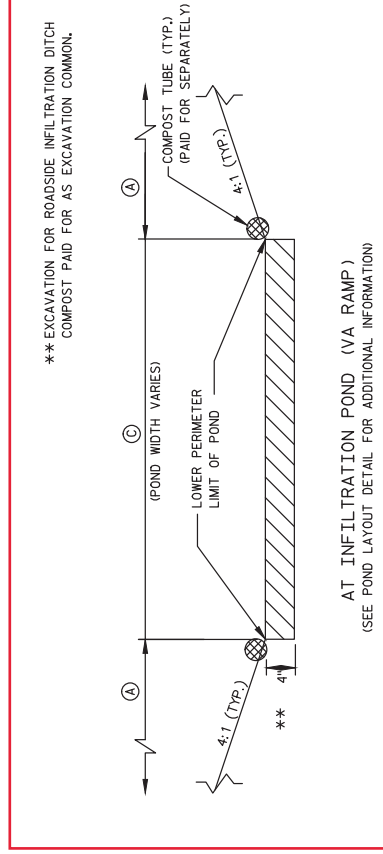
AT IH 39 NB/SB ROADSIDE INFILTRATION DITCHES  
 (SEE EROSION CONTROL PLANS FOR LOCATIONS)

NOTE:  
 IH 39 SOUTHBOUND ROADSIDE INFILTRATION DITCH SECTION SHOWN, IH 39 NORTHBOUND ROADSIDE INFILTRATION DITCH SECTION IS A MIRROR IMAGE.

- (A) SALVAGED TOPSOIL, SEEDING MIXTURE NO. 30, FERTILIZER TYPE A AND MULCHING
- (B) SEEDING MIXTURE NO. 30 REOD.
- (C) SEEDING MIXTURE NO. 20 REOD.

ROADSIDE INFILTRATION DITCH

- ROADSIDE INFILTRATION DITCH COMPOST
- ROADSIDE INFILTRATION DITCH GRANULAR BACKFILL SAND



AT INFILTRATION POND (VA RAMP)  
 (SEE POND LAYOUT DETAIL FOR ADDITIONAL INFORMATION)

PROJECT NO: 1003-10-84

HWY: IH 39

COUNTY: ROCK

PLOT DATE : 6/8/2017 1:54 PM

PLOT BY : GARFOOT, ELIZABETH

PLOT SCALE : \*\*\*\*\*

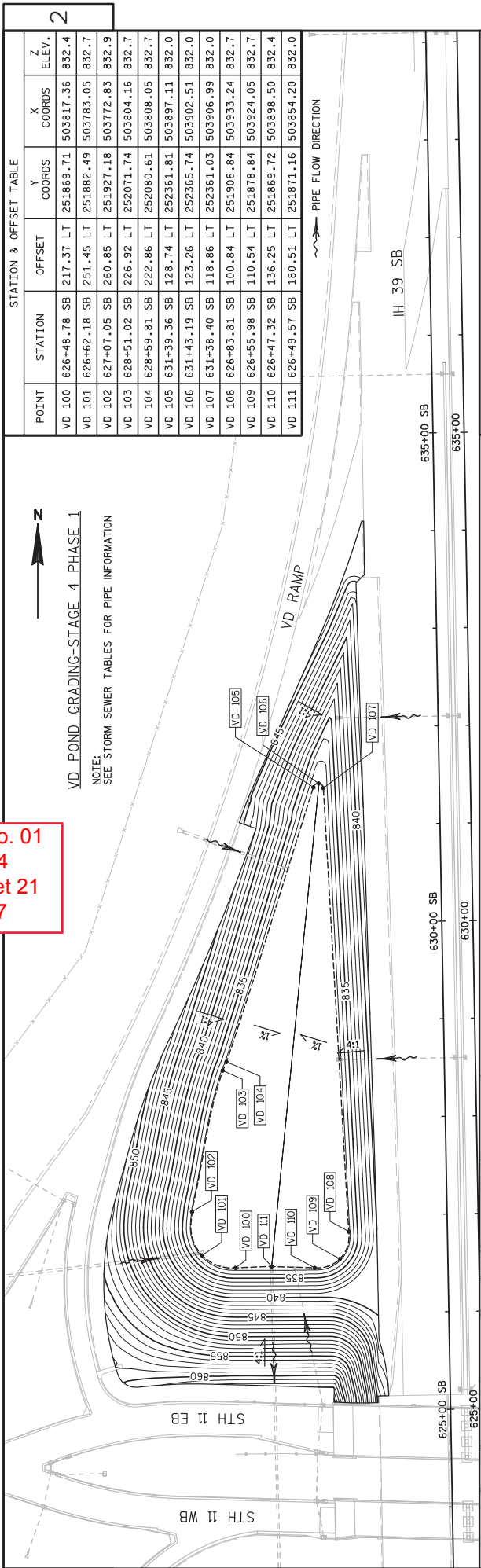
CONSTRUCTION DETAILS

SHEET 14

E  
 WSDOT/CADD SHEET 42

2

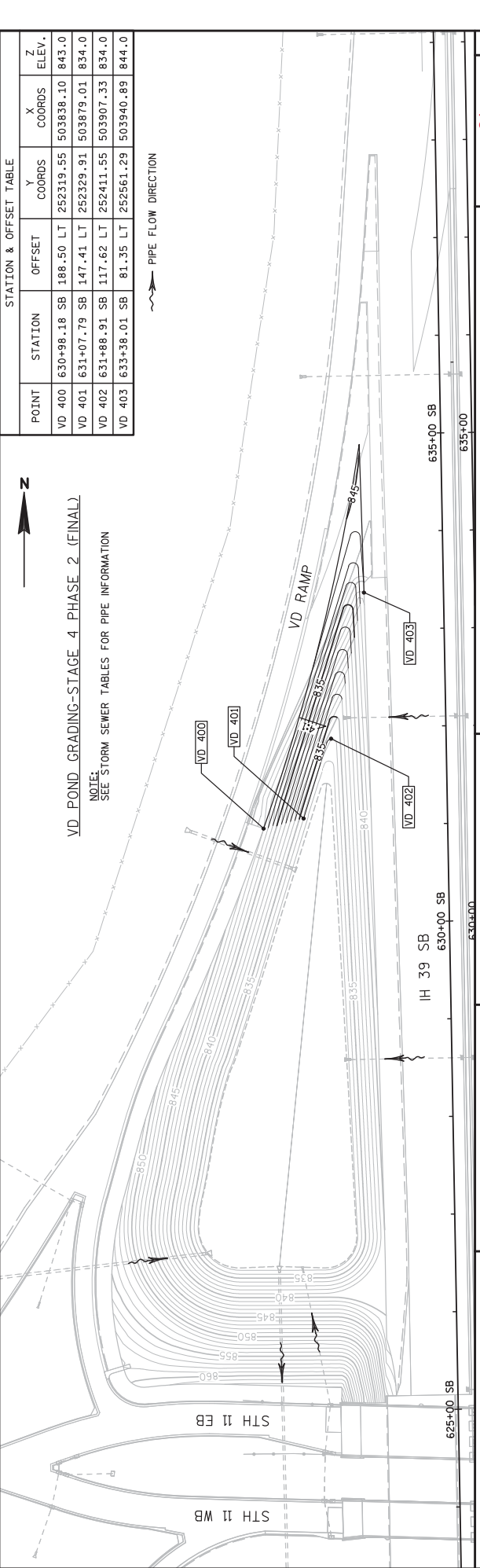
Addendum No. 01  
ID 1003-10-84  
Revised Sheet 21  
June 19, 2017



STATION & OFFSET TABLE

POINT	STATION	OFFSET	Y COORDS	X COORDS	Z ELEV.
VD 100	626+48.78 SB	217.37 LT	251869.71	503817.36	832.4
VD 101	626+62.18 SB	251.45 LT	251882.49	503783.05	832.7
VD 102	627+07.05 SB	260.85 LT	251927.18	503772.83	832.9
VD 103	628+51.02 SB	226.92 LT	252071.74	503804.16	832.7
VD 104	628+59.81 SB	222.86 LT	252080.61	503808.05	832.7
VD 105	631+39.36 SB	128.74 LT	252361.81	503897.11	832.0
VD 106	631+43.19 SB	123.26 LT	252365.74	503902.51	832.0
VD 107	631+38.40 SB	118.86 LT	252361.03	503906.99	832.0
VD 108	626+83.81 SB	100.84 LT	251906.84	503933.24	832.7
VD 109	626+55.98 SB	110.54 LT	251878.84	503924.05	832.7
VD 110	626+47.32 SB	136.25 LT	251869.72	503898.50	832.4
VD 111	626+49.57 SB	180.51 LT	251871.16	503854.20	832.0

PIPE FLOW DIRECTION



STATION & OFFSET TABLE

POINT	STATION	OFFSET	Y COORDS	X COORDS	Z ELEV.
VD 400	630+38.18 SB	188.50 LT	252319.55	503838.10	843.0
VD 401	631+07.79 SB	147.41 LT	252329.91	503879.01	834.0
VD 402	631+88.91 SB	117.62 LT	252411.55	503907.33	834.0
VD 403	633+38.01 SB	81.35 LT	252561.29	503940.89	844.0

PIPE FLOW DIRECTION

CONSTRUCTION DETAILS



STAGE 3 STORM SEWER TABLE

STRUCT NO.	STATION	OFFSET	C-C (FT)	TO STRUCT	INLET TYPE	COVER	MH TYPE	RM/GRATE ELEV.	T.O.S. ELEV.	DEPTH (FT)	SIZE (IN)	DISCHARGE PIPE			REMARKS	
												INLET ELEV.	DISCHARGE ELEV.	LENGTH (FT)		SLOPE (%)
650A	634+88.8 SB	94.4 'LT	273.6	650B	INLETS MEDIUM 1 GRATE	MS	-	844.54	844.54	-	18	838.83	836.00	274	1.03%	18-INCH CULVERT PIPE REQ'D
650B	632+06.68 SB	117.6 'LT	-	-	-	-	-	-	-	-	18	836.00	-	-	-	18-INCH CULVERT PIPE REQ'D
780E	725+52	27.1 'LT	13.7	780B	-	-	-	-	-	-	12	847.26	845.74	14	10.86%	RELAID STORM SEWER 12-INCH; APRON ENDWALLS FOR CULVERT PIPE SALVAGED 12-INCH

STAGE 4, PHASE 1 STORM SEWER TABLE

STRUCT NO.	STATION	OFFSET	C-C (FT)	TO STRUCT	INLET TYPE	COVER	MH TYPE	RM/GRATE ELEV.	T.O.S. ELEV.	DEPTH (FT)	SIZE (IN)	DISCHARGE PIPE			REMARKS	
												INLET ELEV.	DISCHARGE ELEV.	LENGTH (FT)		SLOPE (%)
560A	626+37.47 SB	180.6 'LT	5.9	560B	-	-	-	-	-	-	24	832.00	832.00	6	0.00%	APRON ENDWALLS FOR CULVERT PIPE SALVAGED 24-INCH
560B	626+49.53 SB	180.5 'LT	-	-	-	-	-	-	-	-	24	832.00	-	-	-	APRON ENDWALLS FOR CULVERT PIPE SALVAGED 24-INCH
565A	626+62.90 SB	266.6 'LT	10.8	565B	-	-	-	-	-	-	30	832.12	832.10	11	0.18%	APRON ENDWALLS FOR CULVERT PIPE SALVAGED 30-INCH
565B	626+64.68 SB	248.8 'LT	-	-	-	-	-	-	-	-	30	832.10	-	-	-	APRON ENDWALLS FOR CULVERT PIPE SALVAGED 30-INCH
585A	630+55.21 SB	156.0 'LT	-	-	-	-	-	-	-	-	24	832.22	-	-	-	APRON ENDWALLS FOR CULVERT PIPE SALVAGED 24-INCH
580B	628+60.00 SB	10.5 'RT	114.1	580C	-	-	-	-	-	-	18	837.70	832.50	114	4.56%	APRON ENDWALLS FOR CPVC 18-INCH REQ'D
590C	628+60.00 SB	109.6 'LT	-	-	-	-	-	-	-	-	18	832.50	-	-	-	APRON ENDWALLS FOR CPVC 18-INCH REQ'D
590B	632+10.00 SB	10.5 'RT	108.8	590C	-	-	-	-	-	-	18	841.07	836.00	109	4.65%	APRON ENDWALLS FOR CPVC 18-INCH REQ'D
590C	632+09.95 SB	104.4 'LT	-	-	-	-	-	-	-	-	18	836.00	-	-	-	APRON ENDWALLS FOR CPVC 18-INCH REQ'D
600B	635+60.00 SB	10.5 'RT	147.1	600C	-	-	-	-	-	-	18	842.82	840.62	147	1.50%	APRON ENDWALLS FOR CPVC 18-INCH REQ'D
600C	635+60.00 SB	142.7 'LT	-	-	-	-	-	-	-	-	18	840.62	-	-	-	APRON ENDWALLS FOR CPVC 18-INCH REQ'D
610D	639+10.00 SB	10.5 'LT	101.3	610C	-	-	-	-	-	-	18	843.98	841.38	101	2.97%	COVERING STORM SEWER REQ'D
610C	639+10.00 SB	119.3 'LT	-	-	-	-	-	-	-	-	18	841.38	-	-	-	COVERING STORM SEWER REQ'D
620C	642+63.00 SB	12.0 'LT	90.9	620C	-	-	-	-	-	-	18	845.33	841.38	91	4.34%	COVERING STORM SEWER REQ'D
620C	642+63.00 SB	108.9 'LT	-	-	-	-	-	-	-	-	18	841.38	-	-	-	APRON ENDWALLS FOR CPVC 18-INCH REQ'D
625B	645+00.15 SB	113.0 'LT	-	-	-	-	-	-	-	-	18	841.38	-	-	-	APRON ENDWALLS FOR CPVC 18-INCH REQ'D
625C	645+00.00 SB	9.1 'RT	116.1	625B	INLETS MEDIUM 1 GRATE	MS	-	849.66	849.66	2.48	18	847.18	841.38	116	5.00%	APRON ENDWALLS FOR CPVC 18-INCH REQ'D
630B	651+63.00 SB	10.5 'RT	108.9	630C	-	-	-	-	-	-	18	846.21	842.23	109	3.65%	APRON ENDWALLS FOR CPVC 18-INCH REQ'D
630C	651+63.00 SB	104.5 'LT	-	-	-	-	-	-	-	-	18	842.23	-	-	-	APRON ENDWALLS FOR CPVC 18-INCH REQ'D
640D	656+25.00 SB	16.0 'RT	5.5	640C	-	-	-	-	-	-	18	844.21	844.21	6	0.00%	APRON ENDWALLS FOR CPVC 18-INCH REQ'D
640E	656+15.00 SB	10.5 'RT	10.0	640C	2X2.5-FT	BW	-	849.85	848.32	4.11	12	844.41	844.21	10	2.00%	APRON ENDWALLS FOR CPVC 18-INCH REQ'D
640F	656+35.00 SB	10.5 'RT	10.0	640C	2X2.5-FT	BW	-	849.85	848.32	4.11	12	844.41	844.21	10	2.00%	APRON ENDWALLS FOR CPVC 18-INCH REQ'D
640G	656+25.00 SB	10.5 'RT	95.3	640H	2X2.5-FT	BW	-	849.85	848.32	4.31	18	844.21	843.70	95	0.54%	APRON ENDWALLS FOR CPVC 18-INCH REQ'D
640H	656+25.00 SB	90.9 'LT	-	-	-	-	-	-	-	-	18	843.70	-	-	-	APRON ENDWALLS FOR CPVC 18-INCH REQ'D
660B	659+75.00 SB	10.5 'RT	100.8	660C	-	-	-	-	-	-	18	845.82	843.70	101	2.10%	APRON ENDWALLS FOR CPVC 18-INCH REQ'D
660C	659+75.00 SB	96.4 'LT	-	-	-	-	-	-	-	-	18	843.70	-	-	-	APRON ENDWALLS FOR CPVC 18-INCH REQ'D
670G	668+50.00 SB	10.5 'RT	94.8	670H	-	-	-	-	-	-	18	845.58	845.07	95	0.54%	APRON ENDWALLS FOR CPVC 18-INCH REQ'D
670H	668+50.00 SB	90.4 'LT	-	-	-	-	-	-	-	-	18	845.07	-	-	-	APRON ENDWALLS FOR CPVC 18-INCH REQ'D

NOTE: CONTRACTOR SHALL FIELD VERIFY ALL PIPE SIZES AND INVERT ELEVATIONS AT LOCATIONS WHERE PROPOSED STORM SEWER CONNECTS TO EXISTING STORM SEWER PRIOR TO CONSTRUCTION. STORM SEWER PIPE STUB LENGTHS FOR FUTURE CONNECTION IN LATER STAGES ARE APPROXIMATE AND MAY BE MODIFIED TO FIT STAGED FIELD CONDITIONS.

STORM SEWER STRUCTURE DATA TABLE

STRUCT NO.	STATION	OFFSET	C-C (FT)	TO STRUCT	INLET TYPE	COVER	MH TYPE	RW/GRATE ELEV.	T.O.S. ELEV.	DEPTH (FT)	SIZE (IN)	DISCHARGE PIPE			SLOPE (%)	REMARKS	PIPE CUTOUTS FOR UNDERDRAIN
												INLET ELEV.	DISCHARGE ELEV.	LENGTH (FT)			
545A	626+37.00	151.2 RT	-	-	-	-	-	-	-	-	24	833.00	-	-	-	APRON ENDWALLS FOR CULVERT PIPE SALVAGED 24-INCH	
555A	630+38.57	172.2 RT	-	-	-	-	-	-	-	-	36	833.00	-	-	-	APRON ENDWALLS FOR CULVERT PIPE SALVAGED 36-INCH	
560B	626+49.53 SB	189.6 LT	5.9	560B	-	-	-	-	-	-	24	832.00	832.00	6	0.00%	APRON ENDWALLS FOR CULVERT PIPE SALVAGED 24-INCH	
565A	626+62.90 SB	266.6 LT	10.8	565B	-	-	-	-	-	-	30	832.12	832.10	11	0.18%	APRON ENDWALLS FOR CULVERT PIPE SALVAGED 30-INCH	
565B	626+64.68 SB	249.8 LT	-	-	-	-	-	-	-	-	24	832.22	-	-	-	APRON ENDWALLS FOR CULVERT PIPE SALVAGED 24-INCH	
565A	630+52.21 SB	156.0 LT	-	-	-	-	-	-	-	-	18	837.42	833.00	168	2.63%	FLAT TOP SLAB REOD	1
570A	625+20.00	10.5 LT	167.8	570C	202.5-FT	BW	-	843.20	841.87	4.45	18	837.62	837.42	11	1.82%	APRON ENDWALLS FOR CPRC 18-INCH REOD	
570B	625+20.00 SB	10.5 RT	11.0	570A	BW	4-FT	-	843.20	841.87	4.25	18	833.00	-	-	-	APRON ENDWALLS FOR CPRC 18-INCH REOD	
570C	626+48.79	106.3 RT	-	-	-	-	-	-	-	-	18	833.00	-	-	-	APRON ENDWALLS FOR CPRC 18-INCH REOD	
580A	628+60.00	10.5 LT	11.0	580B	202.5-FT	BW	-	844.90	843.57	5.67	15	837.90	837.70	11	1.82%	APRON ENDWALLS FOR CPRC 18-INCH REOD	
580B	628+60.00 SB	10.5 RT	114.1	580C	202.5-FT	BW	-	844.90	843.57	5.87	18	837.70	832.50	114	4.56%	APRON ENDWALLS FOR CPRC 18-INCH REOD	
590C	628+60.00 SB	109.6 LT	-	-	-	-	-	-	-	-	18	832.50	-	-	-	APRON ENDWALLS FOR CPRC 18-INCH REOD	
590A	632+10.00	10.5 LT	11.0	590B	202.5-FT	BW	-	846.65	845.32	4.05	15	841.27	841.07	11	1.82%	APRON ENDWALLS FOR CPRC 18-INCH REOD	
590B	632+10.00 SB	10.5 RT	108.8	590C	202.5-FT	BW	-	846.65	845.32	4.25	18	841.07	836.00	109	4.65%	APRON ENDWALLS FOR CPRC 18-INCH REOD	
590C	632+09.95 SB	104.4 LT	-	-	-	-	-	-	-	-	18	836.00	-	-	-	APRON ENDWALLS FOR CPRC 18-INCH REOD	
600A	635+60.00	10.5 LT	11.0	600B	202.5-FT	BW	-	848.40	847.07	4.05	15	843.02	842.82	11	1.82%	APRON ENDWALLS FOR CPRC 18-INCH REOD	
600B	635+60.00 SB	10.5 RT	147.1	600C	202.5-FT	BW	-	848.40	847.07	4.25	18	842.82	840.82	147	1.50%	APRON ENDWALLS FOR CPRC 18-INCH REOD	
600C	635+60.00 SB	142.7 LT	-	-	-	-	-	-	-	-	18	840.82	-	-	-	APRON ENDWALLS FOR CPRC 18-INCH REOD	
610A	639+10.00	10.5 LT	11.0	610B	202.5-FT	BW	-	850.15	848.82	4.05	15	844.77	844.57	11	1.82%	APRON ENDWALLS FOR CPRC 18-INCH REOD	
610B	639+10.00 SB	10.5 RT	123.7	610C	202.5-FT	BW	-	850.15	848.82	4.25	18	844.57	841.38	124	2.57%	APRON ENDWALLS FOR CPRC 18-INCH REOD	
610C	639+10.00 SB	119.3 LT	-	-	-	-	-	-	-	-	18	841.38	-	-	-	APRON ENDWALLS FOR CPRC 18-INCH REOD	
620A	642+63.00	10.5 LT	11.0	620B	202.5-FT	BW	-	851.92	850.59	4.05	15	846.54	846.34	11	1.82%	APRON ENDWALLS FOR CPRC 18-INCH REOD	
620B	642+63.00 SB	10.5 RT	113.4	620C	202.5-FT	BW	-	851.92	850.59	4.25	18	846.34	841.38	113	4.39%	APRON ENDWALLS FOR CPRC 18-INCH REOD	
620C	642+63.00 SB	108.9 LT	-	-	-	-	-	-	-	-	18	841.38	-	-	-	APRON ENDWALLS FOR CPRC 18-INCH REOD	
625A	645+00.00 SB	10.5 RT	117.4	625B	202.5-FT	BW	-	853.04	851.71	4.43	18	847.28	841.38	117	5.04%	APRON ENDWALLS FOR CPRC 18-INCH REOD	
625B	645+00.15 SB	113.0 LT	-	-	-	-	-	-	-	-	18	841.38	-	-	-	APRON ENDWALLS FOR CPRC 18-INCH REOD	
630A	651+63.00	10.5 LT	11.0	630B	202.5-FT	BW	-	851.79	850.46	4.05	15	846.41	846.21	11	1.82%	APRON ENDWALLS FOR CPRC 18-INCH REOD	
630B	651+63.00 SB	10.5 RT	108.9	630C	202.5-FT	BW	-	851.79	850.46	4.25	18	846.21	842.23	109	3.65%	APRON ENDWALLS FOR CPRC 18-INCH REOD	
630C	651+63.00 SB	104.5 LT	-	-	-	-	-	-	-	-	18	842.23	-	-	-	APRON ENDWALLS FOR CPRC 18-INCH REOD	
640A	656+15.00	10.5 LT	10.0	640C	202.5-FT	BW	-	848.95	848.52	4.11	12	844.41	844.21	10	2.00%	APRON ENDWALLS FOR CPRC 18-INCH REOD	
640B	656+35.00	10.5 LT	10.0	640C	202.5-FT	BW	-	848.95	848.52	4.11	12	844.41	844.21	10	2.00%	APRON ENDWALLS FOR CPRC 18-INCH REOD	
640C	656+25.00	10.5 LT	96.9	640D	202.5-FT	BW	-	848.95	848.52	4.31	18	844.21	843.29	97	0.95%	APRON ENDWALLS FOR CPRC 18-INCH REOD	
640D	656+25.00 SB	16.0 RT	5.5	640C	202.5-FT	8	-	848.64	848.31	4.10	18	844.21	844.21	5	0.00%	2-FT X 2-FT OPENING ON FLAT TOP SLAB REOD	2
640E	656+25.00 SB	16.0 RT	5.5	640G	-	-	-	-	-	-	18	844.21	844.21	6	0.00%	APRON ENDWALLS FOR CPRC 18-INCH REOD	
640F	656+15.00 SB	10.5 RT	10.0	640G	202.5-FT	BW	-	848.95	848.52	4.11	12	844.41	844.21	10	2.00%	APRON ENDWALLS FOR CPRC 18-INCH REOD	
640G	656+35.00 SB	10.5 RT	10.0	640G	202.5-FT	BW	-	848.95	848.52	4.11	12	844.41	844.21	10	2.00%	APRON ENDWALLS FOR CPRC 18-INCH REOD	
640G	656+25.00 SB	10.5 RT	96.3	640H	202.5-FT	BW	-	848.95	848.52	4.31	18	844.21	843.70	96	0.54%	APRON ENDWALLS FOR CPRC 18-INCH REOD	
640H	656+25.00 SB	90.9 RT	-	-	-	-	-	-	-	-	18	843.70	-	-	-	APRON ENDWALLS FOR CPRC 18-INCH REOD	
640I	656+25.00	92.5 RT	-	-	-	-	-	-	-	-	18	843.29	-	-	-	APRON ENDWALLS FOR CPRC 18-INCH REOD	
660A	659+75.00	10.5 LT	98.4	660D	202.5-FT	BW	-	851.23	849.90	4.08	18	845.82	844.06	99	1.78%	APRON ENDWALLS FOR CPRC 18-INCH REOD	1
660B	659+75.00 SB	10.5 RT	11.0	660A	202.5-FT	BW	-	851.23	849.90	4.08	18	845.82	845.82	11	0.00%	APRON ENDWALLS FOR CPRC 18-INCH REOD	
660B	659+75.00 SB	10.5 RT	100.8	660C	-	-	-	-	-	-	18	845.82	843.70	101	2.10%	APRON ENDWALLS FOR CPRC 18-INCH REOD	
660C	659+75.00 SB	96.4 LT	-	-	-	-	-	-	-	-	18	843.70	-	-	-	APRON ENDWALLS FOR CPRC 18-INCH REOD	
660D	659+75.00	94.9 RT	-	-	-	-	-	-	-	-	18	844.06	-	-	-	APRON ENDWALLS FOR CPRC 18-INCH REOD	

NOTE: CONTRACTOR SHALL FIELD VERIFY ALL PIPE SIZES AND INVERT ELEVATIONS AT LOCATIONS WHERE PROPOSED STORM SEWER CONNECTS TO EXISTING STORM SEWER PRIOR TO CONSTRUCTION

EARTHWORK SUMMARY

CATEGORY	DIVISION	STAGE	STATION - STATION	(2) CUT		(3) EBS EXCAVATION		(1) EXCAVATION COMMON		SPV.0005.001		(5) SELECT BORROW		(6) MASS ORDNATE +/-		WATER	
				CY	CY	CY	CY	CY	CY	CY	CY	ROADWAY EMBANKMENT	UNDIST. BORROW	FACTORED BORROW	MASS ORDNATE +/-		
1000	1	STAGE 1 PHASE 1	730+00 SB - 736+00 SB	15,084	0	0	15,084	317	0	0	0	0	0	0	14,717	30	
		STAGE 1 PHASE 2	8+06.0 - 12+27.0	61	0	0	61	6	0	0	0	0	0	0	55	0	
		SUBTOTALS DIVISION 1		15,085	0	0	15,085	323	0	0	0	0	0	0	14,772	30	
2	2	STAGE 2 PHASE 1	637+30 - 656+00	513	758	0	1,271	351	0	0	0	758	0	0	162	3	
		STAGE 2 PHASE 2	625+15 TW_SB - 634+37 TW_SB	411	0	0	411	2	0	0	0	0	0	0	409	1	
		STAGE 2 PHASE 2	625+15 - 735+00	82,679	11,283	0	93,972	29,132	0	0	11,283	0	0	0	53,547	188	
		STAGE 2 PHASE 2	630+90 VA - 641+19 VA	4,387	0	0	4,387	3,714	0	0	0	0	0	0	673	9	
		STAGE 2 PHASE 2	9+92.0 - 19+81.0	402	0	0	402	2	0	0	0	0	0	0	400	1	
		STAGE 2 PHASE 2	VA POND	29,242	0	0	29,242	94	0	0	0	0	0	0	29,148	58	
		STAGE 2 PHASE 2	NB CTHO ABUTMENT GRADING	13	0	0	13	471	0	0	0	0	0	0	-458	0	
		STAGE 2 PHASE 4	633+81 - 643+82	1,319	0	0	1,319	330	0	0	0	0	0	0	989	3	
		STAGE 2 PHASE 4	627+62 VA - 630+90 VA	333	0	0	333	2	0	0	0	0	0	0	331	1	
		STAGE 2 PHASE 4	VA POND	9,086	0	0	9,086	111	0	0	0	0	0	0	8,976	18	
		SUBTOTALS DIVISION 2	128,386	15,064	0	143,450	34,209	0	0	15,064	0	0	0	94,177	288		
3	3	STAGE 3A	716+75 - 725+64	313	0	0	313	78	0	0	0	0	0	0	235	1	
		STAGE 3A	630+67 VDX2 - 644+60 VDX2	437	0	0	437	730	0	0	0	0	0	0	-293	1	
		SUBTOTALS DIVISION 3		750	0	0	750	808	0	0	0	0	0	0	-58	2	
4	4	STAGE 4 PHASE 1	625+15 SB - 735+00 SB	89,067	310	0	89,367	12,916	0	0	310	0	0	0	76,141	179	
		STAGE 4 PHASE 1	634+00 VD - 640+24 VD	2,739	0	0	2,739	488	0	0	0	0	0	0	2,251	5	
		STAGE 4 PHASE 1	SB CTHO ABUTMENT GRADING	0	0	0	0	2,671	0	0	0	0	0	0	-2,671	0	
		STAGE 4 PHASE 1	VD POND	27,888	0	0	27,888	1,339	0	0	0	0	0	0	26,548	56	
		STAGE 4 PHASE 2	633+53 SB - 735+00 SB	11,978	0	0	11,978	495	0	0	0	0	0	0	11,483	24	
		STAGE 4 PHASE 2	630+88 VD - 636+80 VD	317	0	0	317	15	0	0	0	0	0	0	302	1	
		STAGE 4 PHASE 2	VD POND	831	0	0	831	39	0	0	0	0	0	0	792	2	
		STAGE 4 PHASE 2	UNDISTRIBUTED	0	78	0	78	0	0	0	0	78	0	0	0	0	
				SUBTOTALS DIVISION 4	132,810	388	0	133,198	17,962	0	0	388	0	0	0	114,847	267
		5	5	STAGE 5	637+50 - 644+35	118	0	0	118	0	0	0	0	0	0	0	118
STAGE 5	663+25 - 664+09			1,304	0	0	1,304	70	0	0	0	0	0	0	1,234	3	
STAGE 5	687+00 - 634+97			854	0	0	854	0	0	0	0	0	0	0	854	2	
STAGE 5	9+92.0 - 19+81.0			187	0	0	187	152	0	0	0	0	0	0	35	0	
SUBTOTALS DIVISION 5				2,463	0	0	2,463	222	0	0	0	0	0	0	2,241	5	
TOTALS				294,955	15,462	0	310,417	53,924	0	0	15,462	0	0	241,491	582		

\* ADDITIONAL QUANTITIES LISTED ELSEWHERE.

- EXCAVATION COMMON = CUT + EBS EXCAVATION.
- CUT VOLUME INCLUDES CONCRETE AND ASPHALTIC SURFACE MATERIAL.
- EBS EXCAVATION TO BE BACKFILLED WITH SELECT BORROW. ALL EBS MATERIAL IS ASSUMED TO BE WASTED OFFSITE. EBS QUANTITY ESTIMATED USING SOIL BORING AND MEDIAN TEST PIT LOGS PLUS AN ADDITIONAL 25% OF ESTIMATED EBS AS UNDISTRIBUTED QUANTITY.
- ROADWAY EMBANKMENT = UNEXPANDED FILL.
- ROADWAY BORROW IS USED FOR BACKFILL OF EBS. SELECT BORROW = EBS EXCAVATION X 1.0.
- THE MASS ORDNATE IS CALCULATED BY DIVISION. A POSITIVE QUANTITY INDICATES AN EXCESS OF MATERIAL WITHIN THE DIVISION AND A NEGATIVE NUMBER INDICATES A SHORTAGE OF MATERIAL WITHIN THE DIVISION. ARE NOT BALANCED FOR QUANTITY AND DOES NOT GUARANTEE THE QUALITY OF COMMON EXCAVATION AND ROADWAY EMBANKMENT IF IT CAN BE REUSED ONSITE.
- GEGRID TYPE SR IS TO BE USED IN LOCATIONS OF EBS BACKFILL. IF WARRANTED, QUANTITY IS LISTED ELSEWHERE.

Addendum No. 01  
 ID 1003-10-84  
 Revised Sheet 201  
 June 19, 2017

FINISHING ITEMS

CATEGORY	STAGE	STATION	TOPSOIL			MULCHING		SOIL STABILIZER		FERTILIZER		SEEDING	*630.0130	
			SY	SY	ACRE	TYPE A	TYPE B	CHVT	LB	LB	LB		MIXTURE NO. 20	MIXTURE NO. 30
1000	STAGE 1 PHASE 1	729+97 SB - 736+02 SB	LT	4,850	0.00	3	70	0	0	0	0	40		
		8+270 - 12+310	RT	550	0.00	0	0	0	0	0	0	10		
	SUBTOTALS (STAGE 1 PHASE 1)			5,400	0.00	3	70	0	0	0	0	50		
	STAGE 2 PHASE 2	625+15 - 637+23	RT	10,000	0.00	7	95	75	145	1,220				
		640+02 - 735+63	RT	49,900	5.15	38	0	0	0	0				
		630+90 VA - 640+01 VA	RT	4,530	0.00	3	0	0	110	0				
		630+90 VA - 640+01 VA	LT	2,750	0.00	2	90	0	0	0				
		10+40 0 - 19+81 0	RT	100	0.00	0	0	0	5	0				
	SUBTOTALS (STAGE 2 PHASE 2)			67,280	5.15	50	185	75	1,480	1,440				
	STAGE 2 PHASE 4	627+62 VA - 638+61 VA	LT	6,110	1.26	43	0	0	0	0				
	SUBTOTALS (STAGE 2 PHASE 4)			6,110	1.26	43	0	0	0	0				
	STAGE 4 PHASE 1	625+15 SB - 635+72 SB	LT	13,000	0.00	9	50	0	0	0				
		637+86 SB - 735+09 SB	LT	50,400	0.00	38	0	0	0	0				
		634+00 VD - 637+86 VD	LT	1,350	0.00	1	0	0	35	0				
		634+00 VD - 637+86 VD	RT	1,100	0.00	1	35	0	0	0				
	SUBTOTALS (STAGE 4 PHASE 1)			65,850	0.00	49	85	0	1,570	0				
	STAGE 4 PHASE 2	630+88 VD - 636+87 VD	RT	2,170	0.00	2	0	0	0	0				
	SUBTOTALS (STAGE 4 PHASE 2)			2,170	0.00	2	0	0	0	0				
	UNDISTRIBUTED		---	36,700	1.60	37	85	20	820	0				
	TOTALS			183,510	8.01	184	425	95	4,110	4,110				

Addendum No. 01  
ID 1003-10-84  
Revised Sheet 216  
June 19, 2017

\*ADDITIONAL QUANTITIES LISTED ELSEWHERE.

EROSION MAT

CATEGORY	STAGE	STATION - STATION	LOCATION	*628.2023	
				CLASS I	CLASS II
				TYPE B	TYPE B
				SY	SY
1000	STAGE 1 PHASE 1&2	730+00 SB - 736+00 SB	LT	4,700	---
		1+00 WSOR - 5+05 WSOR	LT	420	---
	SUBTOTALS (STAGE 1 PHASE 1&2)			5,120	0
	STAGE 2 PHASE 2&3	733+00 - 736+00	RT	---	1,650
	SUBTOTALS (STAGE 2 PHASE 2&3)			0	1,650
	STAGE 4 PHASE 1&2	730+00 SB - 736+00 SB	LT	2,300	---
	SUBTOTALS (STAGE 4 PHASE 1&2)			2,300	0
	UNDISTRIBUTED		---	1,850	410
	TOTALS			9,270	2,060

\*ADDITIONAL QUANTITIES LISTED ELSEWHERE

PROJECT NO: 1003-10-84 HWY: IH 39 COUNTY: ROCK SHEET 216  
 FILE NAME : S:\MWD\3500--3559\3557\002\CIVIL\3D\FINAL\_10031084\SHEETSP\PLAN\30201.LMO.DWG  
 PLOT BY : GARFOOT, ELIZABETH PLOT NAME : PLOT SCALE : \*\*\*\*\*  
 PLOT DATE : 5/31/2017 1:52 PM  
 WISDOT/CADD SHEET 42

CULVERT PIPE CHECKS

CATEGORY	STAGE	STATION	LOCATION	628.7585 EACH
1000	STAGE 1 PHASE 1&2	1+00 WSOR	LT	10
		1+00 WSOR	RT	20
		9+00 WSOR	RT	7
		SUBTOTAL (STAGE 1 PHASE 1&2)		
1000	STAGE 2 PHASE 2&3	628+61	MEDIAN	2
		634+37	RT	2
		642+63	MEDIAN	2
		659+74	MEDIAN	2
		682+62	MEDIAN	3
		70+65	MEDIAN	3
		709+65	MEDIAN	3
		717+65	MEDIAN	2
		724+58	RT	3
		728+36	MEDIAN	1
		728+72	RT	3
		729+35	MEDIAN	1
729+38	RT	3		
730+37	RT	7		
SUBTOTAL (STAGE 2 PHASE 2&3)			36	
1000	STAGE 4 PHASE 1	722+43 SB	LT	3
		724+85 SB	LT	3
		729+40 SB	LT	3
		SUBTOTAL (STAGE 4 PHASE 1)		
UNDISTRIBUTED			21	
TOTAL			103	

TRACKING PADS SUMMARY

CATEGORY	LOCATION	628.7530 TRACKING PADS EACH
1000	UNDISTRIBUTED	5
TOTAL		5

DELINEATOR SUMMARY

CATEGORY	STATION	LOCATION	663.0100 POSTS STEEL EACH	633.0600 REFLECTORS EACH	633.0000 BRACKETS EACH
1000	626+85 - 729+01	RT	32	36	---
	626+00 - 733+01	MEDIAN	---	---	108
	626+00 SB - 733+01 SB	MEDIAN	---	---	108
	627+00 SB - 739+01 SB	LT	26	31	---
	627+00 VA - 644+57 VA	RT	18	23	---
	629+00 VD - 640+24 VD	LT	13	13	---
TOTALS			89	103	216

FIELD OFFICE TYPED

CATEGORY	PROJECT	642.5-01 EACH
1000	1003-10-84	0.33

TRAFFIC CONTROL SURVEILLANCE AND MAINTENANCE

CATEGORY	PROJECT	643.0200.S.001 DAY
1000	1003-10-84	1000

FIXED MESSAGE SIGN SUMMARY

CATEGORY	PROJECT	PLACEMENT STAGE	STATION	OFFSET	643.1000 TRAFFIC CONTROL SIGNS FIXED MESSAGE SF	643.0200.S.001 FIXED MESSAGE SIGN PORTABLE SUPPORT EACH
1000	1003-10-84	STAGE 2 PHASE 2	661+37 TWL_SB	RT	90.00	1
			660+41 TWL_SB	RT	53.00	1
			713+00 TWL_SB	RT	92.00	1
			718+00 TWL_SB	RT	55.00	1
			731+00 TWL_SB	RT	40.00	1
SUBTOTALS (STAGE 2 PHASE 2)						5
1000	1003-10-84	STAGE 4 PHASE 1	646+00	LT	75.00	1
			657+50	LT	49.50	1
			666+00	LT	66.00	1
			685+00	LT	78.50	1
			708+00	LT	70.00	1
SUBTOTALS (STAGE 4 PHASE 1)						5
TOTALS					667.00	10

Addendum No. 01  
ID 1003-10-84  
Revised Sheet 219  
June 19, 2017

PROJECT NO: 1003-10-84

HWY: IH 39

COUNTY: ROCK

MISCELLANEOUS QUANTITIES

SHEET 219

CONCRETE PAVEMENT JOINT SEALING

CATEGORY	STATION - STATION	LOCATION	SPV.0090.002 LF	SPV.0090.202 EACH
1000	625+15 - 734+97	LT	11,000	12
	625+15 SB - 735+04 SB	RT	11,000	29
	TOTAL		22,000	41

TEMPORARY SNOW FENCE SUMMARY

CATEGORY	STAGE	STATION - STATION	LOCATION	SPV.0090.004 REINSTALL TEMPORARY SNOW FENCE LF	SPV.0090.006 FURNISHING SNOW/ FENCE LF	SPV.0090.007 INSTALLING SNOW/ FENCE LF
1000	STAGE 5	641+20 SB - 653+00 SB	LT	1,180	---	---
		653+00 SB - 657+00 SB	LT	---	400	400
		657+00 SB - 730+30 SB	LT	7,330	---	---
	TOTALS			8,510	400	400

ROADSIDE INFILTRATION DITCH SUMMARY

CATEGORY	STAGE	STATION - STATION	LOCATION	SPV.0035.002 ROADSIDE INFILTRATION DITCH GRANULAR BACKFILL SAND CY	SPV.0090.150 COMPOST TUBE LF	SPV.0180.150 ROADSIDE INFILTRATION DITCH COMPOST SY
1000	STAGE 2 PHASE 2&3	642+03 - 729+39	RT	4,580	17,080	7,590
		631+50 VA - 642+00 VA	RT	325	2,100	935
		VA POND		0	960	4,200
	SUBTOTALS (STAGE 2 PHASE 2&3)			4,905	20,150	12,725
1000	STAGE 2 PHASE 4	VA POND		0	305	990
	SUBTOTALS (STAGE 2 PHASE 4)			0	305	990
1000	STAGE 4 PHASE 1&2	640+29 SB - 729+39 SB	LT	5,730	17,470	7,760
		634+00 VD - 640+24 VD	LT	365	1,250	555
	SUBTOTALS (STAGE 4 PHASE 1&2)			6,095	18,720	8,315
	TOTALS			11,000	39,175	22,030

**Addendum No. 01**  
**ID 1003-10-84**  
**Revised Sheet 228**  
**June 19, 2017**

CONCRETE PAVEMENT JOINT LAYOUT

CATEGORY	PROJECT	SPV.0105.004 LS	SPV.0105.005 LS
1000	1003-10-84	1	1

BARRIER WALL DELINEATION

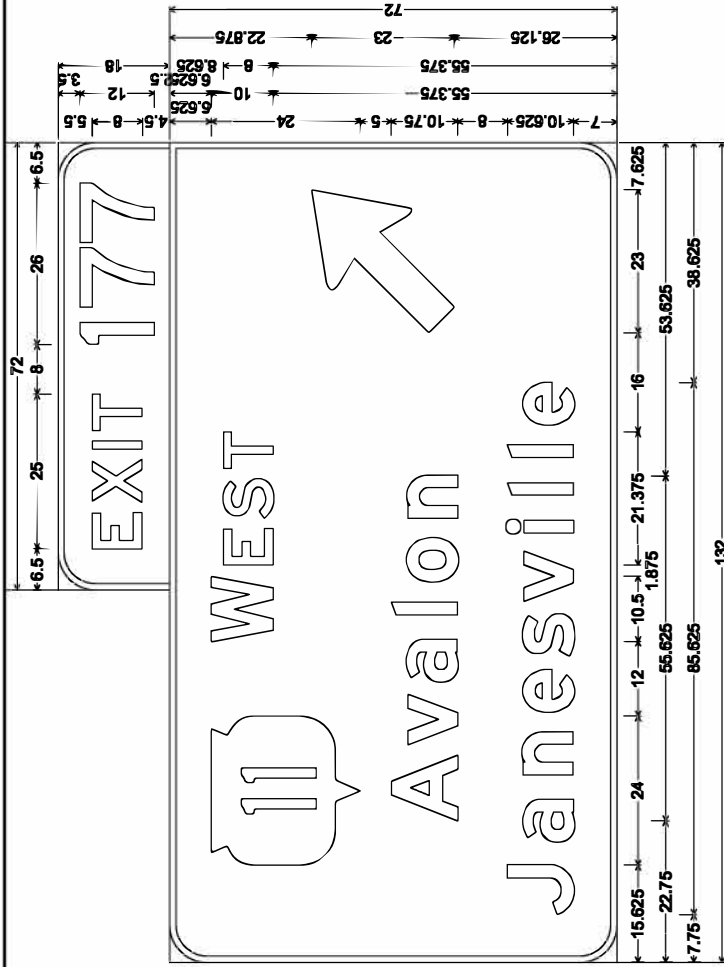
CATEGORY	STAGE	LOCATION	OFFSET	SPV.0090.202 EACH
1000	STAGE 2 PHASE 1B	639+57 VAX2 - 641+00 VAX2	LT	12
		653+66 VAX2 - 657+26 VAX2	RT	29
		726+81 TW_SB - 731+85 TW_SB	CENTER WALL	41
		731+85 TW_SB - 735+25 TW_SB	CENTER WALL	28
		726+81 TW_SB - 731+85 TW_SB	CENTER WALL	41
		731+85 TW_SB - 735+25 TW_SB	CENTER WALL	28
	SUBTOTAL (STAGE 2 PHASE 1B)			179
1000	STAGE 2 PHASE 2	631+32 VAX2 - 639+57 VAX2	LT	66
	SUBTOTAL (STAGE 2 PHASE 2)			66
1000	STAGE 2 PHASE 3	728+23 X1 - 729+69 X1	LT	12
	SUBTOTAL (STAGE 2 PHASE 3)			12
1000	STAGE 2 PHASE 4	665+79 TW_SB - 679+28 TW_SB	CENTER WALL	108
	SUBTOTAL (STAGE 2 PHASE 4)			108
1000	STAGE 4 PHASE 1	634+23 VDX2 - 637+25 VDX2	RT	25
		716+74 X2 - 730+00 X2	LT	107
		730+00 X2 - 738+16 X2	LT	66
	SUBTOTAL (STAGE 4 PHASE 1)			198
1000	STAGE 4 PHASE 2	636+86 VDX3 - 640+00 VDX3	RT	26
		640+00 VDX3 - 649+48 VDX3	RT	76
		697+00 X3 - 700+00 X3	LT	24
		700+00 X3 - 714+86 X3	LT	119
	SUBTOTAL (STAGE 4 PHASE 2)			245
	TOTAL			808

TRAFFIC CONTROL GAWK SCREEN

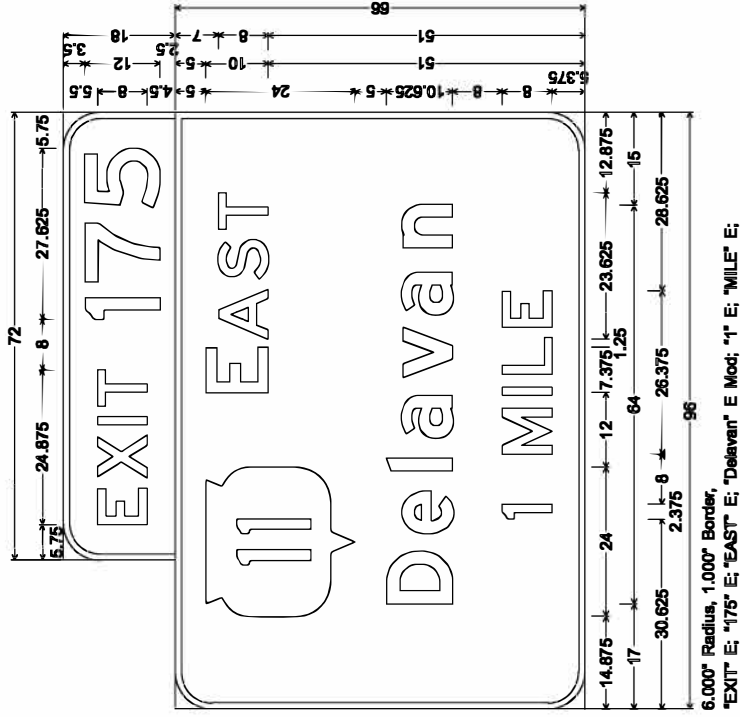
CATEGORY	STAGE	STATION - STATION	SPV.0090.203 FURNISHED LF	SPV.0090.204 INSTALLED LF
1000	STAGE 2 PHASE 1B	732+00 TW_SB - 738+20 TW_SB	620	620

NOTES

1. All Signs are Type II - Type H Reflective
2. Color:  
Background - GREEN  
Message - WHITE
3. Message Series - E except as Shown



Addendum No. 01  
ID 1003-10-84  
Revised Sheet 228  
June 19, 2017



Addendum No. 01  
ID 1003-10-84  
Revised Sheet 490  
June 19, 2017

STAGE 4-PHASE 1 (CONJT.)										
STATION	DISTANCE	AREA (SF)			INCREMENTAL VOL (CY) (UNADJUSTED)		EBS	FILL	(1)	(2)
		CUT	FILL	EBS	CUT	FILL				
625+15 SB	---	213.4	0.0	0.0	---	---	---	---	---	---
625+20 SB	5	213.7	0.0	0.0	39	0	0	0	0	0
626+00 SB	80	212.7	0.0	0.0	622	0	0	0	0	0
627+00 SB	100	214.6	0.0	0.0	791	0	0	0	0	0
628+00 SB	100	206.4	0.0	0.0	780	0	0	0	0	0
628+60 SB	60	207.5	0.0	0.0	460	0	0	0	0	0
629+00 SB	40	311	0.0	0.0	311	0	0	0	0	0
630+00 SB	100	221.0	0.3	0.0	804	1	1	0	0	0
631+00 SB	100	833	0.7	0.0	833	2	0	0	0	0
632+00 SB	100	225.9	1.4	0.0	842	4	4	0	0	0
632+10 SB	10	224.9	1.5	0.0	83	1	0	0	0	0
633+00 SB	90	219.8	2.3	0.0	742	6	0	0	0	0
634+00 SB	100	171.1	3.7	0.0	724	11	11	0	0	0
635+00 SB	100	80.9	5.0	0.0	467	16	16	0	0	0
635+60 SB	60	33.0	5.9	0.0	127	12	12	0	0	0
635+72 SB	12	28.7	6.1	0.0	14	3	0	0	0	0
636+00 SB	115	68.0	0.0	0.0	206	13	0	0	0	0
637+00 SB	13	68.9	0.3	0.0	32	0	0	0	0	0
638+00 SB	100	50.4	2.0	0.0	201	4	0	0	0	0
639+00 SB	100	47.9	3.0	0.0	182	9	0	0	0	0
639+10 SB	10	46.5	3.9	0.0	17	1	0	0	0	0
640+00 SB	90	26.0	11.5	0.0	121	26	26	0	0	0
641+00 SB	100	94.0	35.3	0.0	222	87	87	0	0	0
641+88 SB	88	80.2	58.9	0.0	204	150	0	0	0	0
642+00 SB	12	76.8	62.0	0.0	35	26	0	0	0	0
642+63 SB	63	65.4	80.6	0.0	166	106	0	0	0	0
643+00 SB	37	58.3	76.0	0.0	85	107	0	0	0	0
643+68 SB	68	61.5	96.6	0.0	150	216	0	0	0	0
643+93 SB	25	58.9	104.9	0.0	56	93	0	0	0	0
644+00 SB	7	58.1	107.4	0.0	16	29	0	0	0	0
644+18 SB	18	57.5	112.5	0.0	38	72	0	0	0	0
645+00 SB	82	67.0	136.4	0.0	190	380	0	0	0	0
645+22 SB	22	68.6	144.7	0.0	55	113	0	0	0	0
646+00 SB	78	73.0	173.2	0.0	207	461	0	0	0	0
647+00 SB	100	84.4	163.9	0.0	291	624	0	0	0	0
648+00 SB	100	88.3	136.6	0.0	322	556	0	0	0	0
649+00 SB	100	73.6	99.9	0.0	302	438	0	0	0	0
650+00 SB	100	66.2	56.9	0.0	257	290	0	0	0	0
651+00 SB	100	140.4	16.0	0.0	381	135	0	0	0	0
651+63 SB	63	164.3	4.5	0.0	355	24	0	0	0	0
652+00 SB	37	102.9	1.8	0.0	238	4	0	0	0	0
653+00 SB	100	226.7	0.7	0.0	759	5	0	0	0	0
654+00 SB	100	278.3	0.2	0.0	935	2	0	0	0	0
655+00 SB	100	320.4	0.0	0.0	1,109	0	0	0	0	0
656+00 SB	100	336.4	0.1	0.0	1,216	0	0	0	0	0
656+25 SB	25	341.1	0.2	0.0	314	0	0	0	0	0
657+00 SB	75	343.2	0.9	0.0	950	2	0	0	0	0
658+00 SB	100	322.8	4.3	0.0	1,233	10	0	0	0	0
659+00 SB	100	294.1	9.8	0.0	1,142	26	0	0	0	0
659+75 SB	75	298.0	15.0	0.0	767	34	0	0	0	0
660+00 SB	25	251.9	15.0	0.0	236	14	0	0	0	0
661+00 SB	100	222.1	15.7	0.0	878	57	0	0	0	0
662+00 SB	100	175.6	15.6	0.0	736	58	0	0	0	0
663+00 SB	100	189.5	15.3	0.0	676	57	0	0	0	0
664+00 SB	100	206.4	12.7	0.0	733	52	0	0	0	0
665+00 SB	100	216.8	7.7	0.0	784	38	0	0	0	0
666+00 SB	100	217.1	2.2	0.0	915	18	0	0	0	0
667+00 SB	100	344.2	0.0	0.0	1,151	4	0	0	0	0
667+94 SB	94	401.8	0.0	0.0	1,295	4	0	0	0	0

CONJT. ABOVE

PROJECT NO: 1003-10-84

HWY: IH 39

COUNTY: ROCK

EARTHWORK

SHEET 490

FILE NAME : S:\MAD\3550--3559\3557\002\CIVIL\3D\FINAL\10031084\SHEET\PLAN\090101.LEW.DWG  
LAYOUT NAME - 090105.LEW

PLOT DATE : 6/8/2017 10:24 AM  
PLOT BY : GARFOOT, ELIZABETH  
PLOT NAME :

PLOT SCALE : 1:1 IN:10 FT

WISDOT/CADD SHEET 49

9

9

CONJT. ON NEXT PAGE



STAGE 4 PHASE 1 (CONT.)

STATION	DISTANCE	AREA (SF)			INCREMENTAL VOL (CY) (UNADJUSTED)				
		CUT	FILL	EBS	CUT (1)	FILL (2)	EBS		
711+00 SB	100.0	126.0	60.5	0.0	441	223	0		
712+00 SB	100.0	165.4	69.3	0.0	540	240	0		
713+00 SB	100.0	201.2	61.7	0.0	679	243	0		
714+00 SB	100.0	212.7	36.1	0.0	767	218	0		
715+00 SB	100.0	214.9	39.4	0.0	792	177	0		
716+00 SB	100.0	188.8	23.9	0.0	744	117	0		
716+54 SB	46.3	195.6	19.6	0.0	380	43	0		
717+00 SB	53.7	191.3	23.2	0.0	332	37	0		
718+00 SB	100.0	175.8	14.4	0.9	210	70	2		
718+30 SB	33.3	166.2	13.9	0.0	681	17	1		
718+58 SB	25.0	166.5	13.5	0.0	154	13	0		
718+88 SB	25.0	173.9	13.0	0.0	186	12	0		
719+00 SB	16.7	179.4	10.1	0.0	109	7	0		
719+87 SB	87.4	216.8	2.5	0.0	641	20	0		
720+00 SB	12.6	223.8	3.1	0.0	103	1	0		
721+00 SB	100.0	251.9	7.5	0.0	881	20	0		
722+00 SB	100.0	251.4	0.6	0.0	932	15	0		
722+80 SB	80.0	154.0	44.0	0.0	601	66	0		
723+00 SB	20.0	183.7	16.1	0.0	125	22	0		
724+00 SB	100.0	250.8	0.6	0.0	805	31	0		
725+00 SB	100.0	222.0	8.5	0.0	875	17	0		
725+20 SB	20.5	181.2	30.6	0.0	163	15	0		
725+64 SB	43.5	297.3	0.0	0.0	386	25	0		
726+00 SB	36.0	322.5	0.0	0.0	413	0	0		
727+00 SB	100.0	345.8	0.0	0.0	1,237	0	0		
728+00 SB	100.0	318.9	0.0	0.0	1,231	0	0		
729+00 SB	100.0	361.9	1.1	0.0	1,242	2	0		
729+50 SB	50.0	359.8	7.1	0.0	659	8	0		
729+75 SB	25.5	313.1	22.4	0.0	317	14	0		
730+00 SB	24.5	413.1	12.4	0.0	330	16	0		
730+37 SB	37.0	154.1	19.4	0.0	389	22	0		
731+00 SB	63.0	147.6	49.5	0.0	352	80	0		
732+00 SB	100.0	130.6	110.0	0.0	515	205	0		
733+00 SB	100.0	123.7	207.3	0.0	471	588	0		
733+64 SB	64.0	127.8	264.8	0.0	286	560	0		
734+00 SB	36.0	121.9	423.1	0.0	186	458	0		
735+00 SB	100.0	112.1	1102.6	0.0	433	2,825	0		
TOTALS							89,057	12,916	310

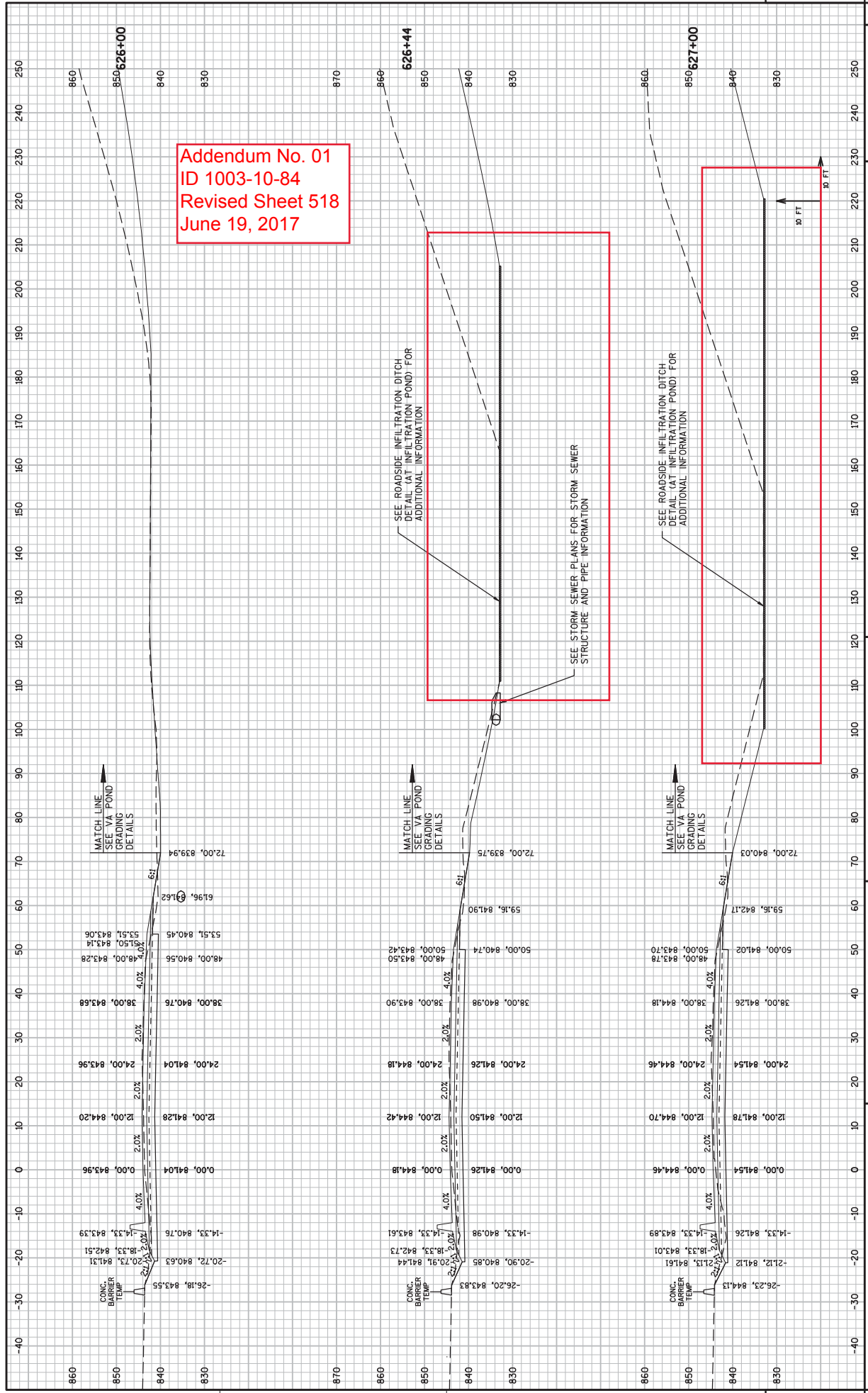
NOTES:  
 (1) CUT: CUT INCLUDES UNUSABLE PAVEMENT MATERIAL  
 (2) FILL: FILL DOES NOT INCLUDE UNUSABLE PAVEMENT MATERIAL

STAGE 4 PHASE 1

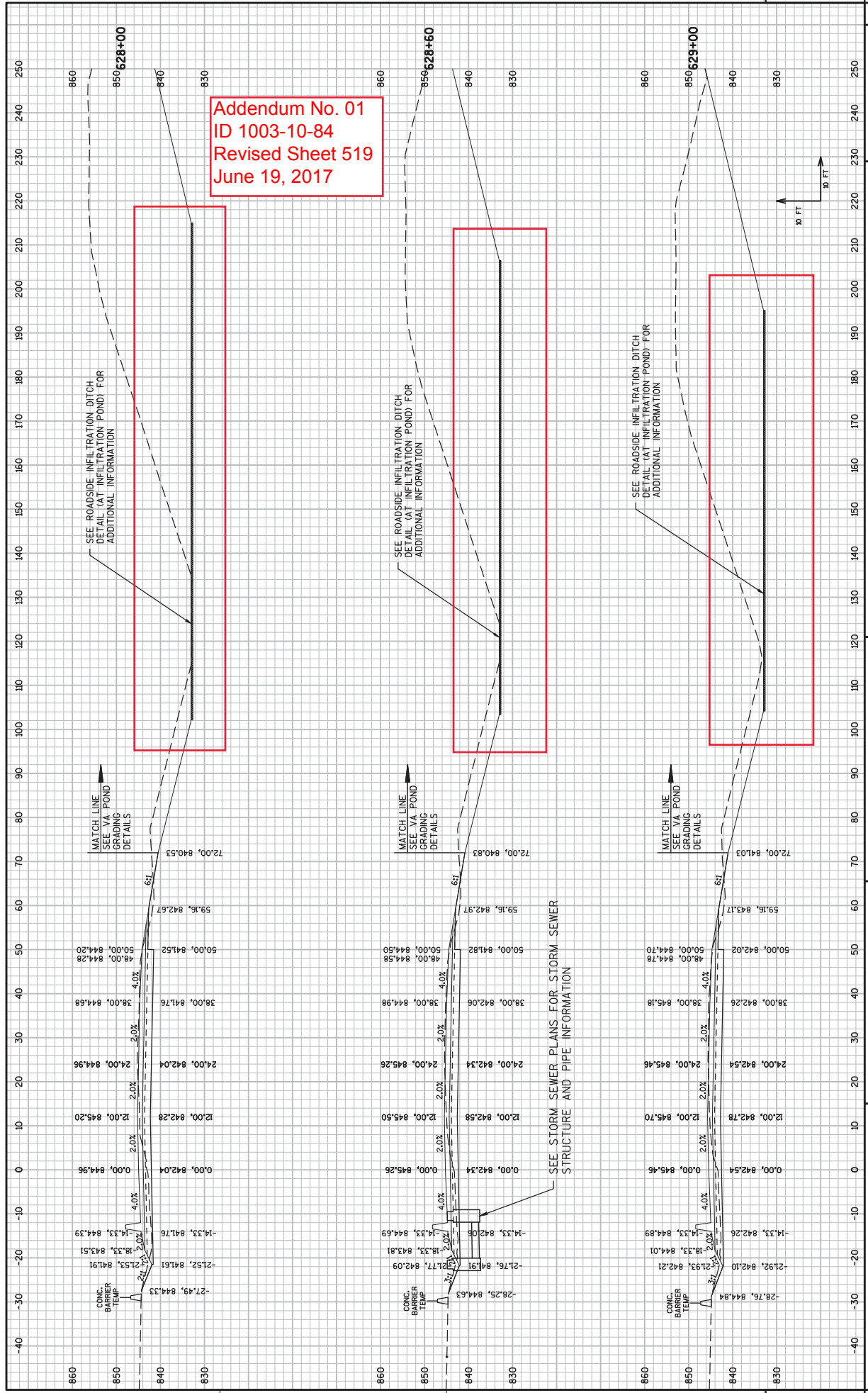
STATION	DISTANCE	AREA (SF)			INCREMENTAL VOL (CY) (UNADJUSTED)				
		CUT	FILL	EBS	CUT (1)	FILL (2)	EBS		
634+00 VD	---	83.7	0.0	0.0	---	---	---		
634+50 VD	50	116.4	13.5	0.0	186	13	0		
635+00 VD	50	133.9	11.6	0.0	232	23	0		
635+50 VD	50	146.4	9.8	0.0	259	20	0		
636+00 VD	50	154.5	7.8	0.0	278	16	0		
636+50 VD	50	161.9	7.7	0.0	293	14	0		
637+00 VD	50	109.3	23.9	0.0	251	29	0		
637+50 VD	50	93.3	37.9	0.0	188	57	0		
638+00 VD	50	122.5	42.1	0.0	200	74	0		
638+50 VD	50	111.3	38.0	0.0	217	74	0		
639+00 VD	50	108.2	32.1	0.0	203	65	0		
639+50 VD	50	99.0	22.1	0.0	192	50	0		
640+00 VD	50	83.2	18.6	0.0	169	38	0		
640+24 VD	24	80.9	15.0	0.0	72	15	0		
TOTALS							2,739	488	0

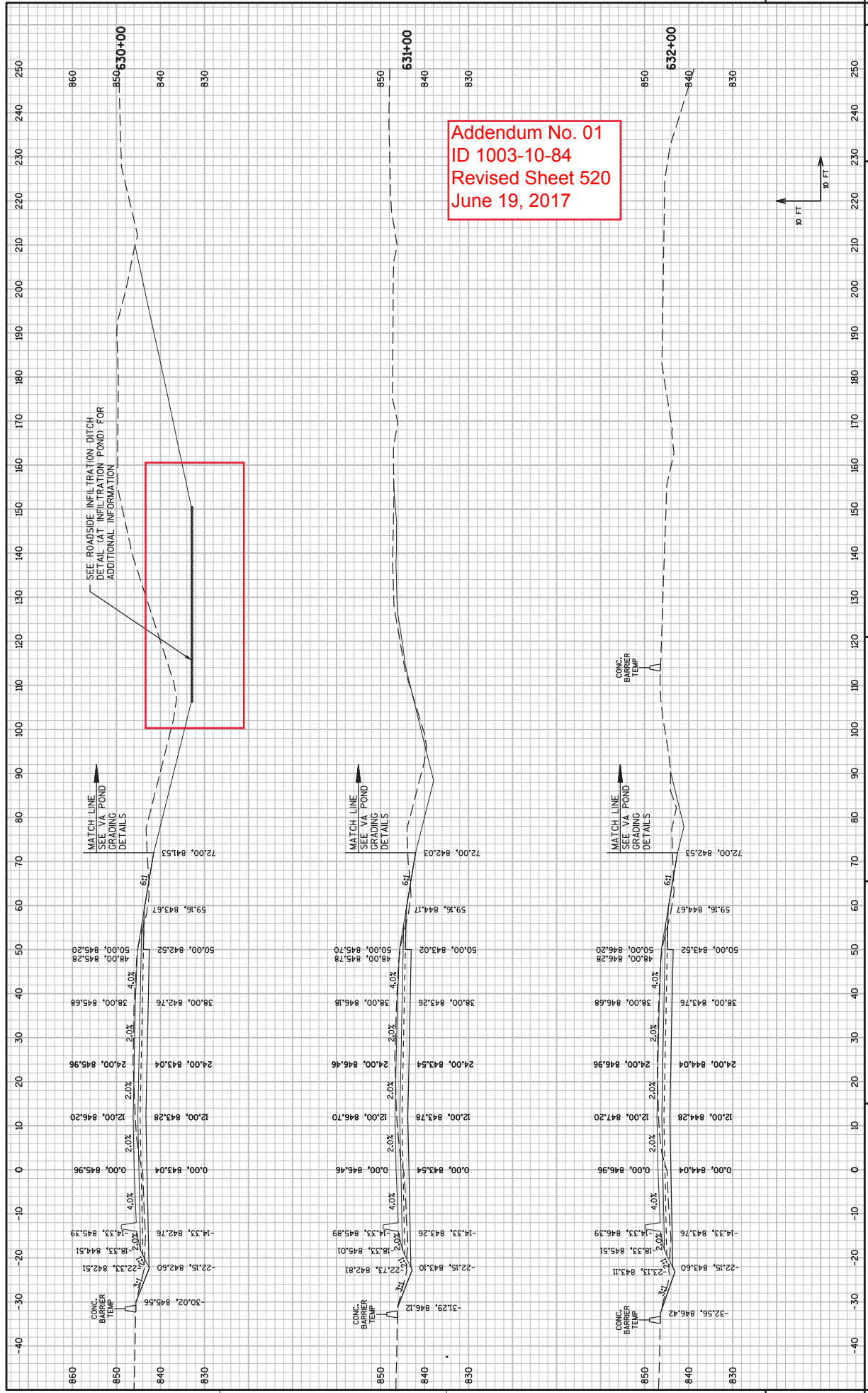
NOTES:  
 (1) CUT: CUT INCLUDES UNUSABLE PAVEMENT MATERIAL  
 (2) FILL: FILL DOES NOT INCLUDE UNUSABLE PAVEMENT MATERIAL

Addendum No. 01  
 ID 1003-10-84  
 Revised Sheet 491  
 June 19, 2017



Addendum No. 01  
 ID 1003-10-84  
 Revised Sheet 518  
 June 19, 2017





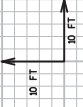
Addendum No. 01  
 ID 1003-10-84  
 Revised Sheet 520  
 June 19, 2017

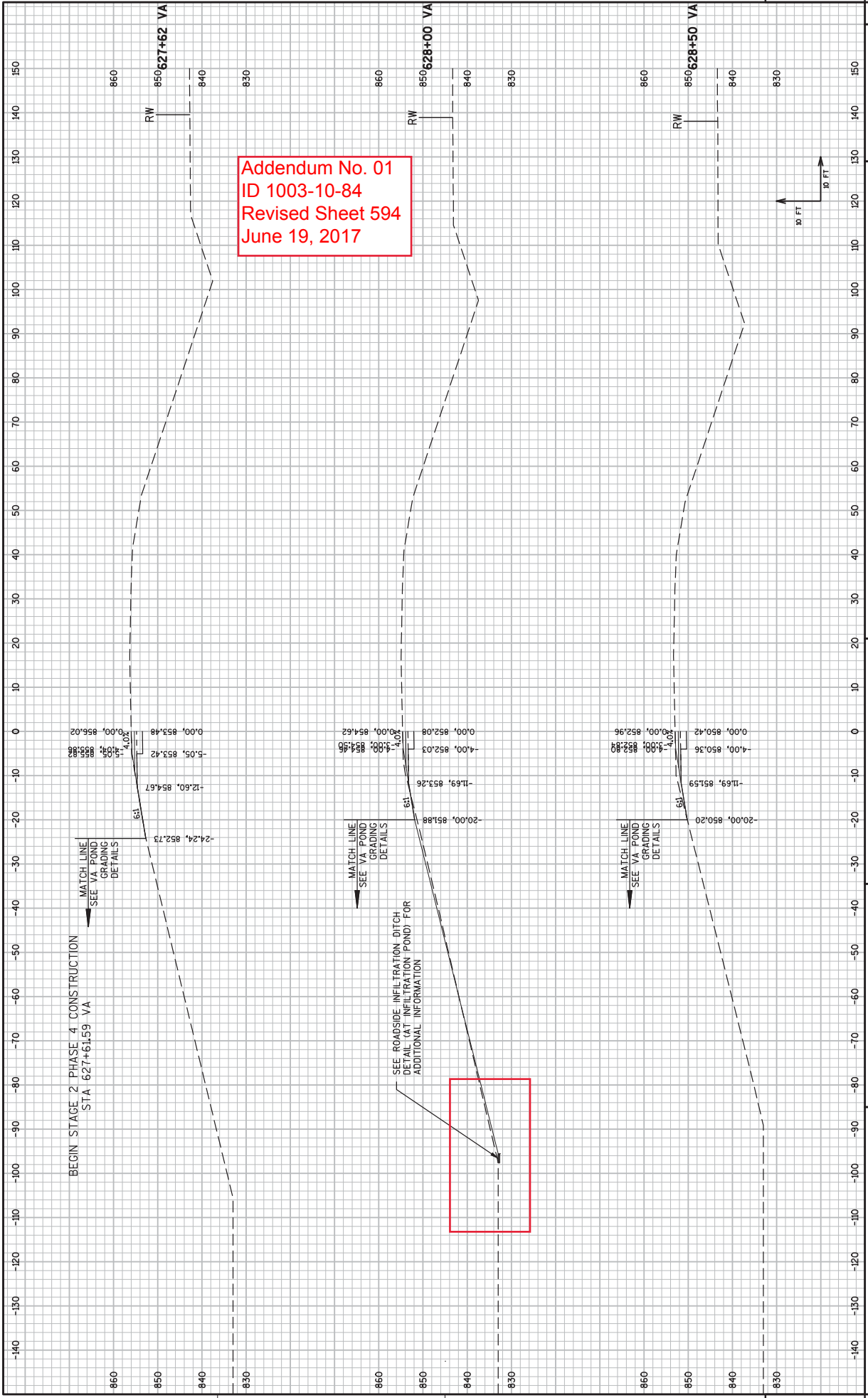
SEE ROADSIDE INFILTRATION DITCH  
 DETAIL (AT INFILTRATION POND) FOR  
 ADDITIONAL INFORMATION

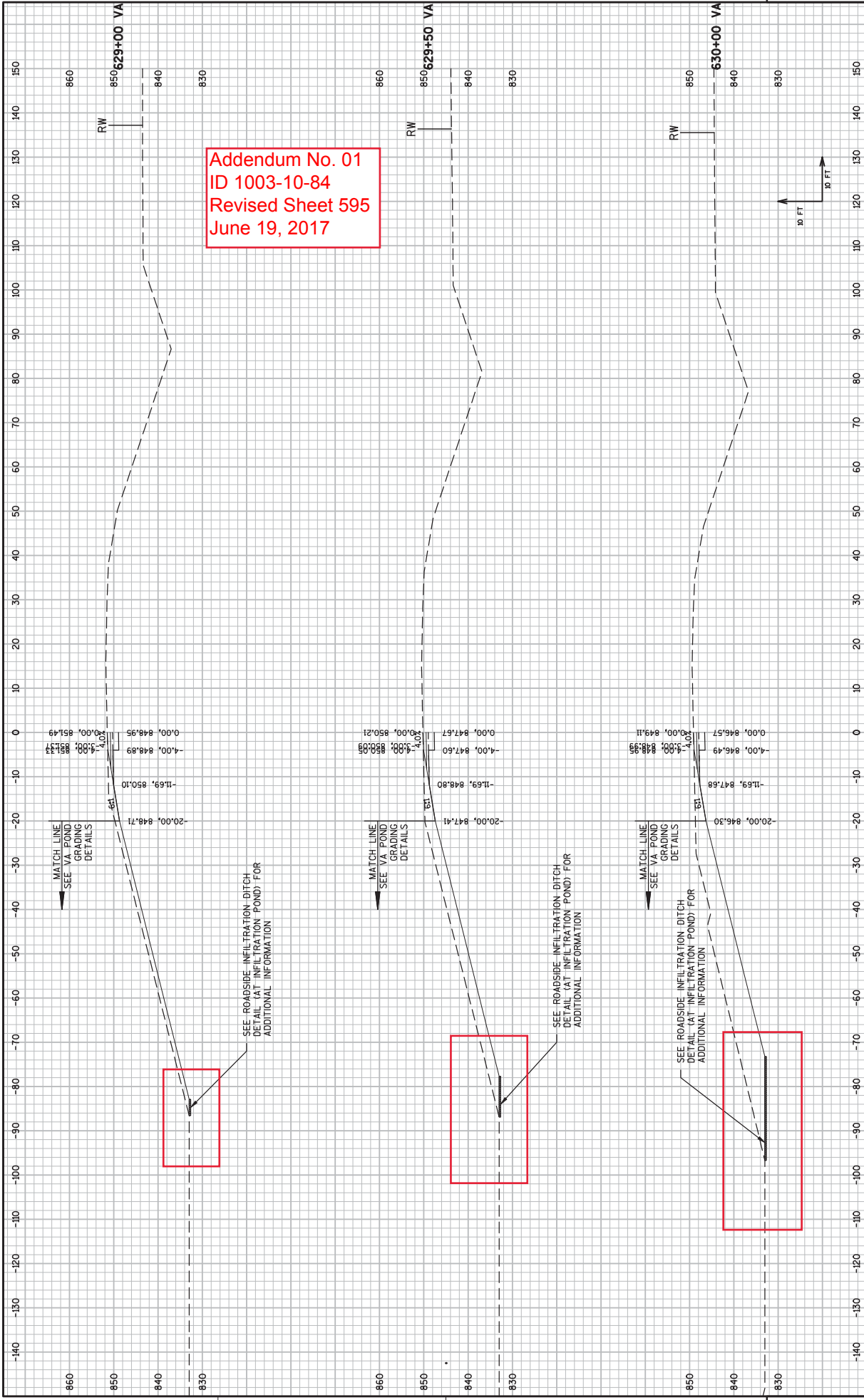
MATCH LINE  
 SEE V.A. POND  
 GRADING  
 DETAILS

MATCH LINE  
 SEE V.A. POND  
 GRADING  
 DETAILS

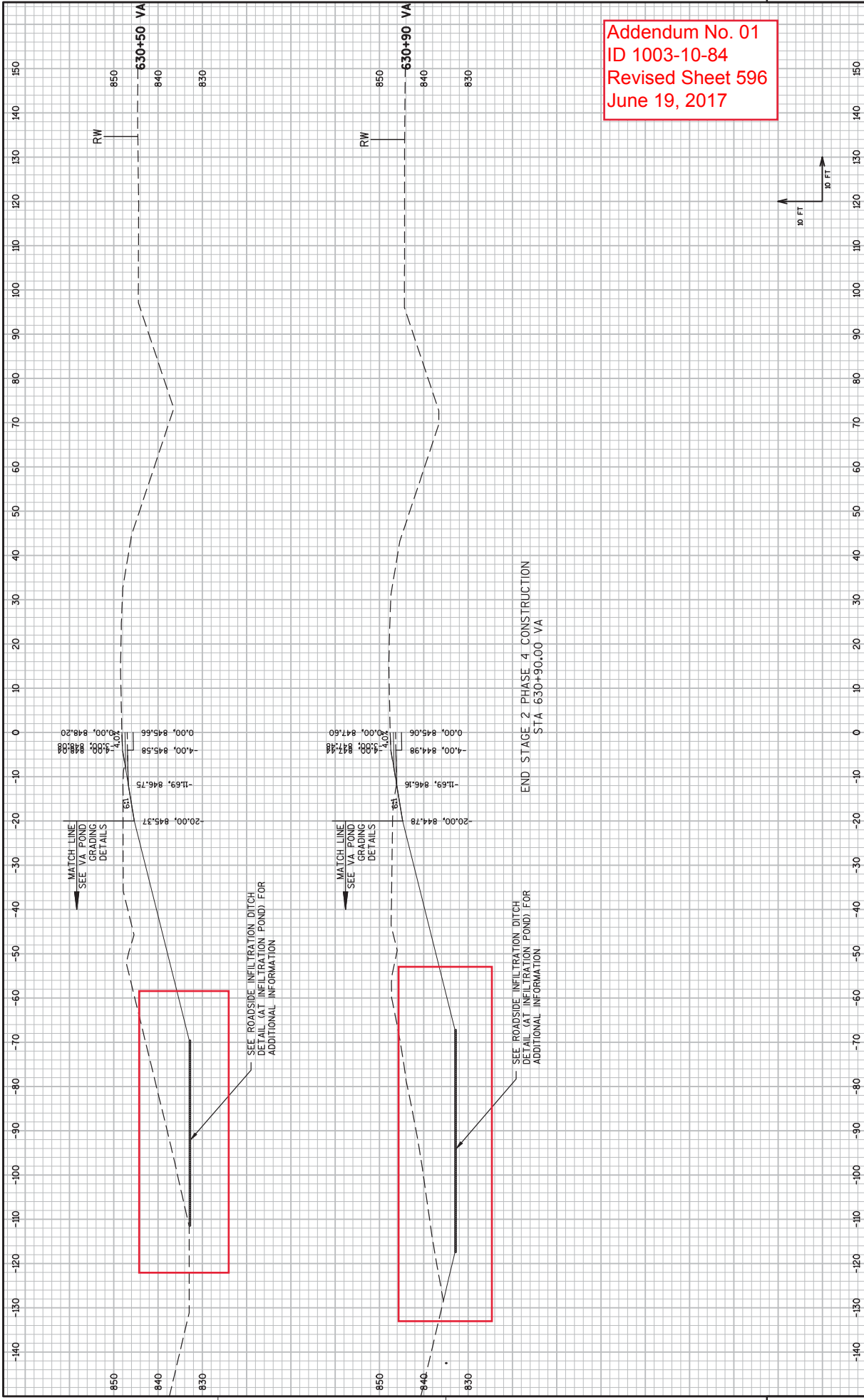
MATCH LINE  
 SEE V.A. POND  
 GRADING  
 DETAILS



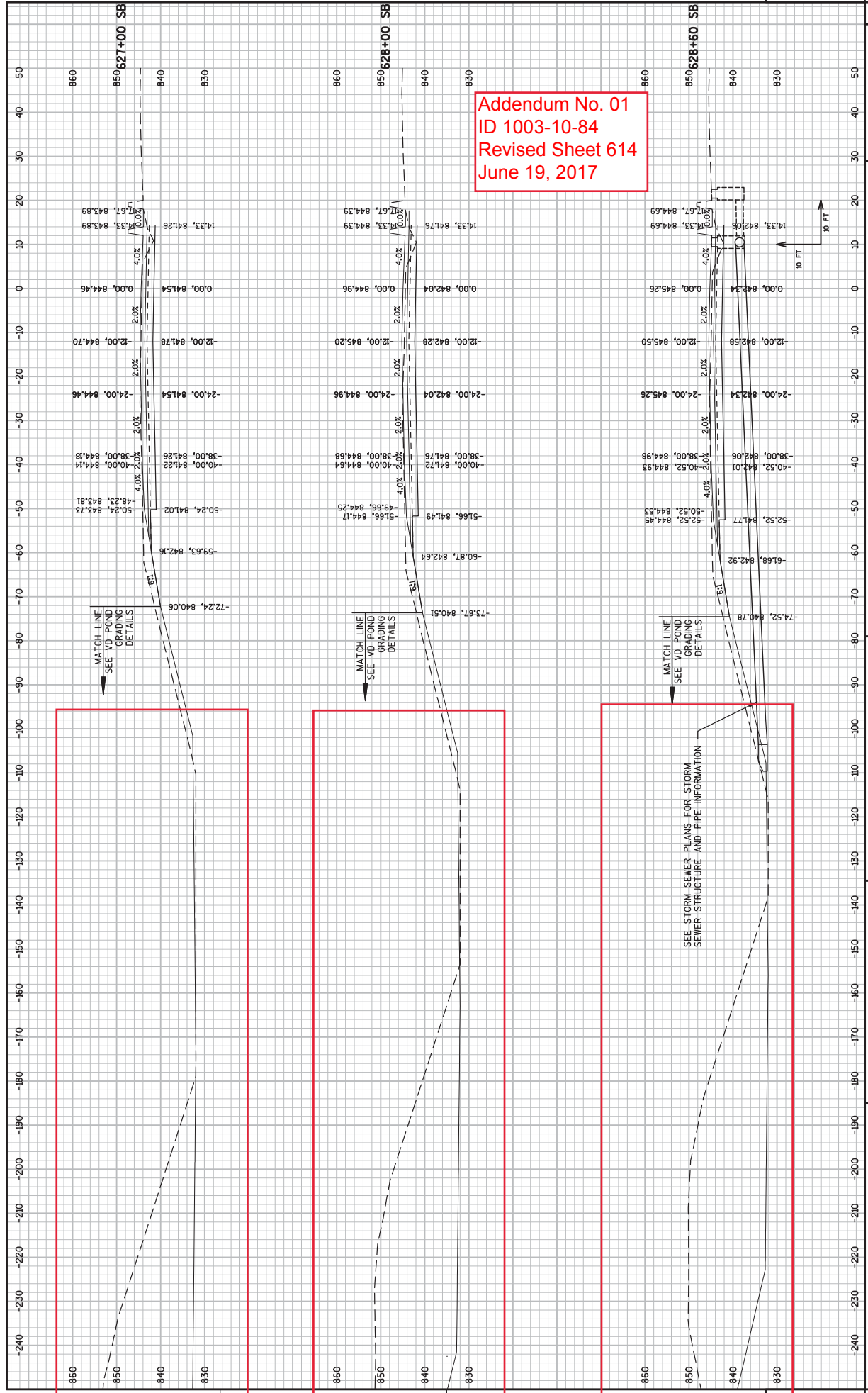




Addendum No. 01  
 ID 1003-10-84  
 Revised Sheet 595  
 June 19, 2017

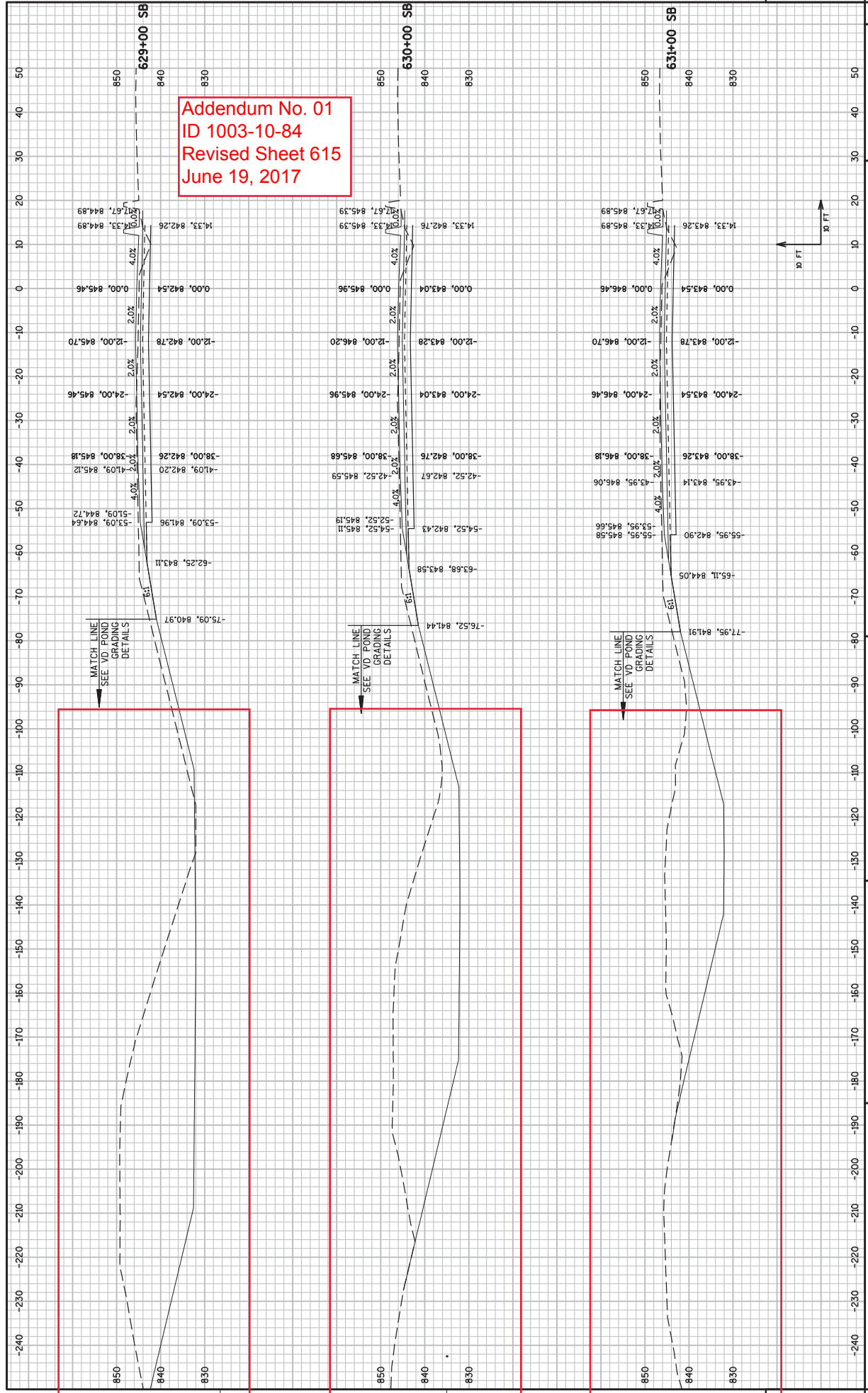


Addendum No. 01  
 ID 1003-10-84  
 Revised Sheet 596  
 June 19, 2017

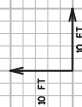


Addendum No. 01  
 ID 1003-10-84  
 Revised Sheet 614  
 June 19, 2017

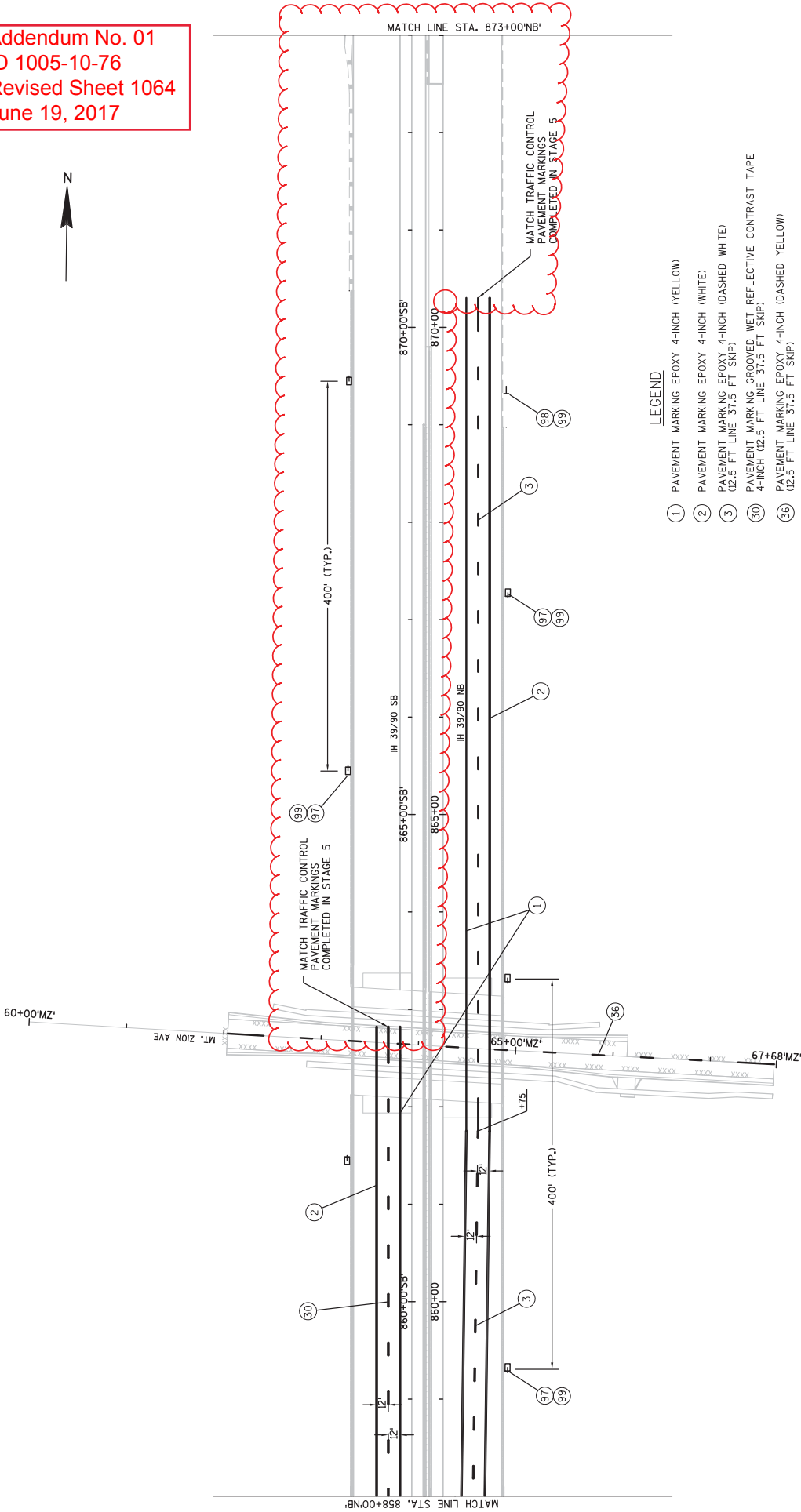




Addendum No. 01  
ID 1003-10-84  
Revised Sheet 615  
June 19, 2017

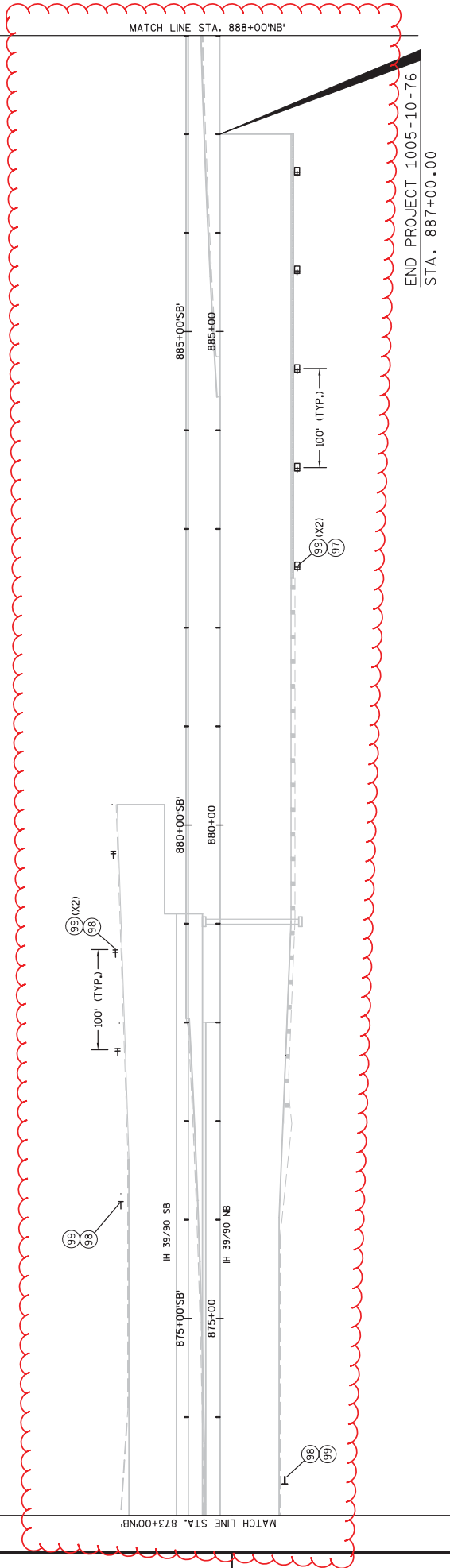


Addendum No. 01  
ID 1005-10-76  
Revised Sheet 1064  
June 19, 2017



- LEGEND**
- ① PAVEMENT MARKING EPOXY 4-INCH (YELLOW)
  - ② PAVEMENT MARKING EPOXY 4-INCH (WHITE)
  - ③ PAVEMENT MARKING EPOXY 4-INCH (DASHED WHITE) (2.5 FT LINE 37.5 FT SKIP)
  - ③① PAVEMENT MARKING GROOVED WET REFLECTIVE CONTRAST TAPE 4-INCH (2.5 FT LINE 37.5 FT SKIP)
  - ③⑥ PAVEMENT MARKING EPOXY 4-INCH (DASHED YELLOW) (2.5 FT LINE 37.5 FT SKIP)
  - ⑨⑦ DELINEATOR BRACKETS
  - ⑨⑧ DELINEATOR POSTS STEEL
  - ⑨⑨ DELINEATOR REFLECTORS

Addendum No. 01  
ID 1005-10-76  
Revised Sheet 1065  
June 19, 2017



LEGEND

- ① PAVEMENT MARKING EPOXY 4-INCH (YELLOW)
- ② PAVEMENT MARKING EPOXY 4-INCH (WHITE)
- ③ PAVEMENT MARKING EPOXY 4-INCH (DASHED WHITE)  
(2.5 FT LINE 37.5 FT STRIP)
- ⑨7 DELINEATOR BRACKETS
- ⑨8 DELINEATOR POSTS STEEL
- ⑨9 DELINEATOR REFLECTORS

Addendum No. 01  
 ID 1005-10-76  
 Revised Sheet 1404  
 June 19, 2017

3

PAVEMENT MARKING												
LOCATION	STATION - STATION	(YELLOW) (DASHED YELLOW) (WHITE) (LF)	EPPOXY 1/2 INCH (WHITE) (LF)	EPPOXY 1/2 INCH (WHITE) (LF)	GROOVE 1/2 INCH REFLECTIVE EPOXY 4 INCH (WHITE) (LF)	646.0942.S GROCUE 1/2 INCH REFLECTIVE EPOXY 4 INCH (WHITE) (LF)	647.0236 SPRAY EPOXY (WHITE) (EA)	647.0456 SPRAY EPOXY (YELLOW) (LF)	647.0586 SPRAY EPOXY (WHITE) (LF)	647.0656 SPRAY EPOXY (WHITE) (LF)	647.0706 DIAGONAL EPOXY 6 INCH (YELLOW) (LF)	646.0941.S GROCUE 1/2 INCH REFLECTIVE EPOXY 4 INCH (WHITE) (LF)
1005-10-76 CATEGORY 1000												
IH 39/90												
OTH - PALMER DRIVE	738+17 - 779+64	8294	4533	2890	1922	646.0942.S GROCUE 1/2 INCH REFLECTIVE EPOXY 4 INCH (WHITE) (LF)	647.0236 SPRAY EPOXY (WHITE) (EA)	647.0456 SPRAY EPOXY (YELLOW) (LF)	647.0586 SPRAY EPOXY (WHITE) (LF)	647.0656 SPRAY EPOXY (WHITE) (LF)	647.0706 DIAGONAL EPOXY 6 INCH (YELLOW) (LF)	646.0941.S GROCUE 1/2 INCH REFLECTIVE EPOXY 4 INCH (WHITE) (LF)
PALMER DRIVE - SPRING BROOK TRAIL	779+64 - 800+04	4077	2925	437	1922							2074
SPRING BROOK TRAIL - RUGER AVENUE	800+04 - 800+72	1345	1345	437	1922							1019
MILWAUKEE STREET - MOUNT ZION AVENUE	849+91 - 862+62	2635	2635	2635	1922							136
MOUNT ZION AVENUE - LUSH 14	862+62 - 887+00	770	183	771	1922							239
IH 39/90 SUBTOTAL		25658	503	20747	3317							5977
NB IH 39/90 ON RAMP AT STH 11 (RA RAMP)	784+74RA - 780+35RA		380	1520	1922							405
NB IH 39/90 ON RAMP (RA RAMP) SUBTOTAL			380	1520	1922							405
NB IH 39/90 OFF RAMP AT STH 11 (RB RAMP)	738+17RB - 744+56RB		245	224	399							207
NB IH 39/90 OFF RAMP (RB RAMP) SUBTOTAL			245	224	399							207
SB IH 39/90 ON RAMP AT STH 11 (RC RAMP)	738+23RC - 750+94RC		58	249	1268							406
SB IH 39/90 ON RAMP (RC RAMP) SUBTOTAL			58	249	1268							406
SB IH 39/90 OFF RAMP AT STH 11 (RD RAMP)	761+60RD - 760+56RD		62	489	636							207
SB IH 39/90 OFF RAMP (RD RAMP) SUBTOTAL			62	489	636							207
PALMER DR	24+25PPD - 27+19PD	590										
PALMER DR SUBTOTAL		590										
RUGER AVENUE	43+75RU - 47+90RU	105										
RUGER AVENUE SUBTOTAL		105										
MILWAUKEE STREET	52+71MK - 55+41MK	540										
MILWAUKEE STREET SUBTOTAL		540										
MOUNT ZION AVENUE	62+05MP - 67+65MP	140										
MOUNT ZION AVENUE SUBTOTAL		140										
UNDISTRIBUTED		1612	82	1375	291							273
1005-10-76 PROJECT TOTAL		28400	840	24050	6,090							6,250
1005-11-71 CATEGORY 1000												
PARK AND RIDE	15+22RRR - 23+45RRR	855										
PARK AND RIDE SUBTOTAL		855										
UNDISTRIBUTED		25										
1005-11-71 PROJECT TOTAL		880										
TOTAL		29280	840	24050	6,090							6,250
ADDITIONAL QUANTITY FOUND IN TEMPORARY PAVEMENT MARKING ITEMS TABLE		54,430										6,250



Proposal Schedule of Items

**Proposal ID:** 20170711001    **Project(s):** 1003-10-84, 1005-10-76, 1005-11-71  
**Federal ID(s):** WISC 2017326, WISC 2017327, N/A

**SECTION:** 0001                      Contract Items

**Alt Set ID:**    **Alt Mbr ID:**

Proposal Line Number	Item ID Description	Approximate Quantity and Units	Unit Price	Bid Amount
0440	204.0245 Removing Storm Sewer (size) 006. 30-Inch	313.000 LF	_____.	_____.
0450	204.0245 Removing Storm Sewer (size) 007. 33-Inch	41.000 LF	_____.	_____.
0460	204.0245 Removing Storm Sewer (size) 008. 36-Inch	482.000 LF	_____.	_____.
0470	204.0245 Removing Storm Sewer (size) 009. 48-Inch	184.000 LF	_____.	_____.
0480	204.0275 Closing Culvert Pipes	1.000 EACH	_____.	_____.
0490	204.0280 Sealing Pipes	2.000 EACH	_____.	_____.
0500	204.0291.S Abandoning Sewer	223.900 CY	_____.	_____.
0510	204.9060.S Removing (item description) 001. Crash Cushion	4.000 EACH	_____.	_____.
0520	204.9060.S Removing (item description) 005. Apron Endwalls	15.000 EACH	_____.	_____.
0530	204.9105.S Removing (item description) 001. Electrical Equipment	LS	LUMP SUM	_____.
0540	204.9180.S Removing (item description) 001. Concrete Flumes	445.000 SY	_____.	_____.
0550	205.0100 Excavation Common	606,987.000 CY	_____.	_____.
0560	206.1000 Excavation for Structures Bridges (structure) 001. B-53-0330	LS	LUMP SUM	_____.
0570	206.1000 Excavation for Structures Bridges (structure) 002. B-53-0331	LS	LUMP SUM	_____.



Proposal Schedule of Items

Proposal ID: 20170711001 Project(s): 1003-10-84, 1005-10-76, 1005-11-71  
 Federal ID(s): WISC 2017326, WISC 2017327, N/A

SECTION: 0001 Contract Items

Alt Set ID: Alt Mbr ID:

Proposal Line Number	Item ID Description	Approximate Quantity and Units	Unit Price	Bid Amount
0580	206.1000 Excavation for Structures Bridges (structure) 003. B-53-0332	LS	LUMP SUM	_____.
0590	206.1000 Excavation for Structures Bridges (structure) 004. B-53-0333	LS	LUMP SUM	_____.
0600	206.1000 Excavation for Structures Bridges (structure) 005. B-53-0334	LS	LUMP SUM	_____.
0610	206.1000 Excavation for Structures Bridges (structure) 006. B-53-0335	LS	LUMP SUM	_____.
0620	206.1000 Excavation for Structures Bridges (structure) 007. B-53-0214	LS	LUMP SUM	_____.
0630	206.1000 Excavation for Structures Bridges (structure) 008. B-53-0215	LS	LUMP SUM	_____.
0640	206.1000 Excavation for Structures Bridges (structure) 009. B-53-0336	LS	LUMP SUM	_____.
0650	206.1000 Excavation for Structures Bridges (structure) 010. B-53-0337	LS	LUMP SUM	_____.
0660	206.1000 Excavation for Structures Bridges (structure) 012. B-53-229	LS	LUMP SUM	_____.
0670	206.1000 Excavation for Structures Bridges (structure) 013. B-53-230	LS	LUMP SUM	_____.
0680	208.1100 Select Borrow	54,185.000 CY	_____.	_____.
0690	209.0300.S Backfill Coarse Aggregate (size) 001. No. 1	324.700 CY	_____.	_____.
0700	209.1500 Backfill Granular Grade 1	4,030.000 TON	_____.	_____.
0710	210.1500 Backfill Structure Type A	6,435.000 TON	_____.	_____.



Proposal Schedule of Items

Proposal ID: 20170711001 Project(s): 1003-10-84, 1005-10-76, 1005-11-71  
 Federal ID(s): WISC 2017326, WISC 2017327, N/A

SECTION: 0001 Contract Items

Alt Set ID: Alt Mbr ID:

Proposal Line Number	Item ID Description	Approximate Quantity and Units	Unit Price	Bid Amount
3190	614.0905 Crash Cushions Temporary	26.000 EACH	_____.	_____.
3200	614.2300 MGS Guardrail 3	4,492.000 LF	_____.	_____.
3210	614.2310 MGS Guardrail 3 HS	187.500 LF	_____.	_____.
3220	614.2500 MGS Thrie Beam Transition	354.400 LF	_____.	_____.
3230	614.2610 MGS Guardrail Terminal EAT	15.000 EACH	_____.	_____.
3240	614.2620 MGS Guardrail Terminal Type 2	4.000 EACH	_____.	_____.
3250	616.0100 Fence Woven Wire (height) 001. 4-FT **P**	18,900.000 LF	_____.	_____.
3260	616.0206 Fence Chain Link 6-FT **P**	17,950.000 LF	_____.	_____.
3270	616.0700.S Fence Safety	18,000.000 LF	_____.	_____.
3280	618.0100 Maintenance And Repair of Haul Roads (project) 001. 1003-10-84	1.000 EACH	_____.	_____.
3290	618.0100 Maintenance And Repair of Haul Roads (project) 002. 1005-10-76	1.000 EACH	_____.	_____.
3300	618.0100 Maintenance And Repair of Haul Roads (project) 003. 1005-11-71	1.000 EACH	_____.	_____.
3310	619.1000 Mobilization	1.000 EACH	_____.	_____.
3320	624.0100 Water	14,201.400 MGAL	_____.	_____.
3330	625.0500 Salvaged Topsoil	417,400.000 SY	_____.	_____.
3340	627.0200 Mulching	343,660.000 SY	_____.	_____.



Proposal Schedule of Items

Proposal ID: 20170711001 Project(s): 1003-10-84, 1005-10-76, 1005-11-71  
 Federal ID(s): WISC 2017326, WISC 2017327, N/A

SECTION: 0001 Contract Items

Alt Set ID: Alt Mbr ID:

Proposal Line Number	Item ID Description	Approximate Quantity and Units	Unit Price	Bid Amount
3520	629.0205 Fertilizer Type A	362.000 CWT	_____.	_____.
3530	630.0120 Seeding Mixture No. 20	5,225.000 LB	_____.	_____.
3540	630.0130 Seeding Mixture No. 30	4,699.000 LB	_____.	_____.
3550	630.0200 Seeding Temporary	890.000 LB	_____.	_____.
3560	630.0300 Seeding Borrow Pit	220.000 LB	_____.	_____.
3570	633.0100 Delineator Posts Steel	169.000 EACH	_____.	_____.
3580	633.0500 Delineator Reflectors	258.000 EACH	_____.	_____.
3590	633.1000 Delineator Brackets	251.000 EACH	_____.	_____.
3600	633.5200 Markers Culvert End	139.000 EACH	_____.	_____.
3610	634.0614 Posts Wood 4x6-Inch X 14-FT	18.000 EACH	_____.	_____.
3620	634.0616 Posts Wood 4x6-Inch X 16-FT	49.000 EACH	_____.	_____.
3630	634.0618 Posts Wood 4x6-Inch X 18-FT	22.000 EACH	_____.	_____.
3640	634.0620 Posts Wood 4x6-Inch X 20-FT	14.000 EACH	_____.	_____.
3650	634.0622 Posts Wood 4x6-Inch X 22-FT	4.000 EACH	_____.	_____.
3660	634.0808 Posts Tubular Steel 2x2-Inch X 8-FT	4.000 EACH	_____.	_____.
3670	635.0200 Sign Supports Structural Steel HS	14,028.000 LB	_____.	_____.
3680	636.0100 Sign Supports Concrete Masonry **P**	225.400 CY	_____.	_____.





Proposal Schedule of Items

Proposal ID: 20170711001 Project(s): 1003-10-84, 1005-10-76, 1005-11-71  
 Federal ID(s): WISC 2017326, WISC 2017327, N/A

SECTION: 0001 Contract Items

Alt Set ID: Alt Mbr ID:

Proposal Line Number	Item ID Description	Approximate Quantity and Units	Unit Price	Bid Amount
3840	641.1200 Sign Bridge Cantilevered (structure) 004. S-53-108	LS	LUMP SUM	_____.
3850	641.6600 Sign Bridge (structure) 001. S-53-0076	LS	LUMP SUM	_____.
3860	641.6600 Sign Bridge (structure) 002. S-53-0077	LS	LUMP SUM	_____.
3870	642.5401 Field Office Type D	1.000 EACH	_____.	_____.
3880	643.0200.S Traffic Control Surveillance and Maintenance (project) 001. 1003-10-84	1,000.000 DAY	_____.	_____.
3890	643.0200.S Traffic Control Surveillance and Maintenance (project) 002. 1005-10-76	989.000 DAY	_____.	_____.
3900	643.0200.S Traffic Control Surveillance and Maintenance (project) 003. 1005-11-71	45.000 DAY	_____.	_____.
3910	643.0300 Traffic Control Drums	183,121.000 DAY	_____.	_____.
3920	643.0420 Traffic Control Barricades Type III	9,005.000 DAY	_____.	_____.
3930	643.0705 Traffic Control Warning Lights Type A	14,605.000 DAY	_____.	_____.
3940	643.0715 Traffic Control Warning Lights Type C	29,599.000 DAY	_____.	_____.
3950	643.0800 Traffic Control Arrow Boards	432.000 DAY	_____.	_____.
3960	643.0900 Traffic Control Signs	52,648.000 DAY	_____.	_____.
3970	643.0910 Traffic Control Covering Signs Type I	5.000 EACH	_____.	_____.
3980	643.0920 Traffic Control Covering Signs Type II	5.000 EACH	_____.	_____.
3990	643.1000 Traffic Control Signs Fixed Message	1,557.830 SF	_____.	_____.



Proposal Schedule of Items

Proposal ID: 20170711001 Project(s): 1003-10-84, 1005-10-76, 1005-11-71
Federal ID(s): WISC 2017326, WISC 2017327, N/A

SECTION: 0001 Contract Items

Alt Set ID: Alt Mbr ID:

Table with 5 columns: Proposal Line Number, Item ID Description, Approximate Quantity and Units, Unit Price, Bid Amount. Rows include items like Traffic Control Signs PCMS, Detour Signs, Pedestrian Surface Asphalt, etc.



Proposal Schedule of Items

Proposal ID: 20170711001 Project(s): 1003-10-84, 1005-10-76, 1005-11-71  
 Federal ID(s): WISC 2017326, WISC 2017327, N/A

SECTION: 0001 Contract Items

Alt Set ID: Alt Mbr ID:

Proposal Line Number	Item ID Description	Approximate Quantity and Units	Unit Price	Bid Amount
4750	677.0150 Install Camera Pole 50-FT	1.000 EACH	_____.	_____.
4760	677.0200 Install Camera Assembly	1.000 EACH	_____.	_____.
4770	690.0150 Sawing Asphalt	28,809.000 LF	_____.	_____.
4780	690.0250 Sawing Concrete	8,638.000 LF	_____.	_____.
4790	715.0415 Incentive Strength Concrete Pavement	119,676.400 DOL	1.00000	119,676.40
4800	715.0502 Incentive Strength Concrete Structures	56,244.000 DOL	1.00000	56,244.00
4810	999.1000.S Seismograph	LS	LUMP SUM	_____.
4820	999.1500.S Crack and Damage Survey	LS	LUMP SUM	_____.
4830	ASP.1T0A On-the-Job Training Apprentice at \$5.00/HR	2,000.000 HRS	5.00000	10,000.00
4840	ASP.1T0G On-the-Job Training Graduate at \$5.00/HR	3,000.000 HRS	5.00000	15,000.00
4850	SPV.0005 Special 001. Subsoiling	1.000 ACRE	_____.	_____.
4860	SPV.0035 Special 001. Roadway Embankment	236,436.000 CY	_____.	_____.
4870	SPV.0035 Special 002. Roadside Infiltration Ditch Granular Backfill Sand	11,000.000 CY	_____.	_____.
4880	SPV.0035 Special 100. Compost	400.000 CY	_____.	_____.
4890	SPV.0035 Special 700. High Performance Concrete (HPC) Masonry Structures **P**	6,581.000 CY	_____.	_____.



Proposal Schedule of Items

Proposal ID: 20170711001 Project(s): 1003-10-84, 1005-10-76, 1005-11-71
Federal ID(s): WISC 2017326, WISC 2017327, N/A

SECTION: 0001 Contract Items

Alt Set ID: Alt Mbr ID:

Table with 5 columns: Proposal Line Number, Item ID Description, Approximate Quantity and Units, Unit Price, Bid Amount. Rows include items 5050 through 5190 with descriptions like 'Special 103. Concrete Cutoff Wall' and 'Special 404. Install IP Radio'.



Proposal Schedule of Items

Proposal ID: 20170711001 Project(s): 1003-10-84, 1005-10-76, 1005-11-71
Federal ID(s): WISC 2017326, WISC 2017327, N/A

SECTION: 0001 Contract Items

Alt Set ID: Alt Mbr ID:

Table with 5 columns: Proposal Line Number, Item ID Description, Approximate Quantity and Units, Unit Price, Bid Amount. Rows include items 5340 through 5470 with descriptions like 'Concrete Curb and Gutter', 'Concrete Pavement Joint Sealing', etc.



Proposal Schedule of Items

Proposal ID: 20170711001 Project(s): 1003-10-84, 1005-10-76, 1005-11-71
Federal ID(s): WISC 2017326, WISC 2017327, N/A

SECTION: 0001 Contract Items

Alt Set ID: Alt Mbr ID:

Table with 5 columns: Proposal Line Number, Item ID Description, Approximate Quantity and Units, Unit Price, Bid Amount. Rows include items 5480 through 5620 with various descriptions like Traffic Control Gawk Screen, Water Service Lateral, Fence Chain Link, Survey Project, Concrete Pavement Joint Layout, Electrical Service Meter Breaker Pedestal Special, Salvage ITS Equipment, and Removing and Resetting Steel Girders.



Proposal Schedule of Items

Proposal ID: 20170711001 Project(s): 1003-10-84, 1005-10-76, 1005-11-71
Federal ID(s): WISC 2017326, WISC 2017327, N/A

SECTION: 0001 Contract Items

Alt Set ID: Alt Mbr ID:

Table with 5 columns: Proposal Line Number, Item ID Description, Approximate Quantity and Units, Unit Price, Bid Amount. Rows include items 5630 through 5700, and a total row for Section: 0001.

