



Wisconsin Department of Transportation

August 3, 2017

Division of Transportation Systems Development

Bureau of Project Development
 4802 Sheboygan Avenue, Rm 601
 P O Box 7916
 Madison, WI 53707-7916

Telephone: (608) 266-1631
 Facsimile (FAX): (608) 266-8459

NOTICE TO ALL CONTRACTORS:

Proposal #10: 6190-15-72, WIS 2017 281
Main St, Village of Winneconne
Wolf River Bridge & Approaches
STH 116
Winnebago County

6190-15-74
Main St, Village of Winneconne
Wolf River Bridge & Approaches
STH 116
Winnebago County

Letting of August 08, 2017

This is Addendum No. 02, which provides for the following:

Schedule of Items:

Revised Bid Item Quantities					
Bid Item	Item Description	Unit	Old Quantity	Revised Quantity	Proposal Total
460.6223	HMA Pavement 3 MT 58-28 S	Ton	1089	475	1,564
460.6224	HMA Pavement 4 MT 58-28 S	Ton	424	371	795

Deleted Bid Item Quantities					
Bid Item	Item Description	Unit	Old Quantity	Revised Quantity	Proposal Total
460.5223	HMA Pavement 3 LT 58-28 S	Ton	475	-475	0
460.5224	HMA Pavement 4 LT 58-28 S	Ton	372	-372	0

Plan Sheets:

Revised Plan Sheets	
Plan Sheet	Plan Sheet Title (brief description of changes to sheet)
9	Change HMA Pavement LT callouts to HMA Pavement MT
10	Change HMA Pavement LT callouts to HMA Pavement MT
11	Change HMA Pavement LT callouts to HMA Pavement MT
12	Change HMA Pavement LT callouts to HMA Pavement MT
35	Change HMA Pavement LT callouts to HMA Pavement MT
36	Change HMA Pavement LT callouts to HMA Pavement MT
37	Change HMA Pavement LT callouts to HMA Pavement MT
38	Change HMA Pavement LT callouts to HMA Pavement MT

39	Change HMA Pavement LT callouts to HMA Pavement MT
40	Change HMA Pavement LT callouts to HMA Pavement MT
116	Change HMA Pavement LT quantity listing to HMA Pavement MT
132	Change HMA Pavement LT quantity listing to HMA Pavement MT

Schedule of Items

Attached, dated August 3, 2017, are the revised Schedule of Items Pages 1 – 21.

Plan Sheets

The following 8½ x 11-inch sheets are attached and made part of the plans for this proposal:

Revised: 9, 10, 11, 12, 35, 36, 37, 38, 39, 40, 116, 132.

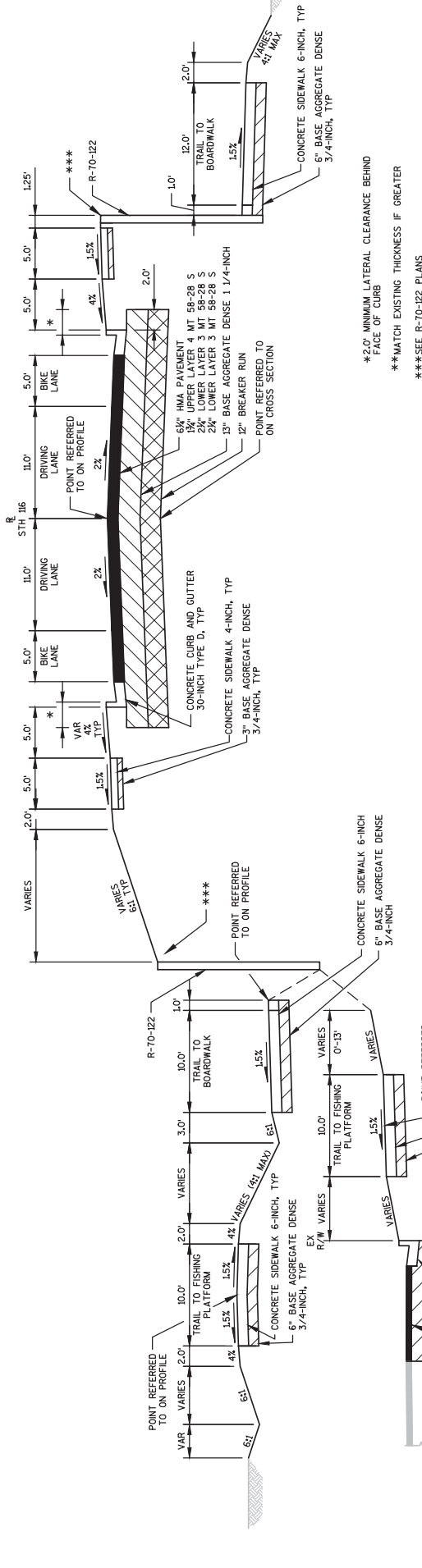
The responsibility for notifying potential subcontractors and suppliers of these changes remains with the prime contractor.

Sincerely,

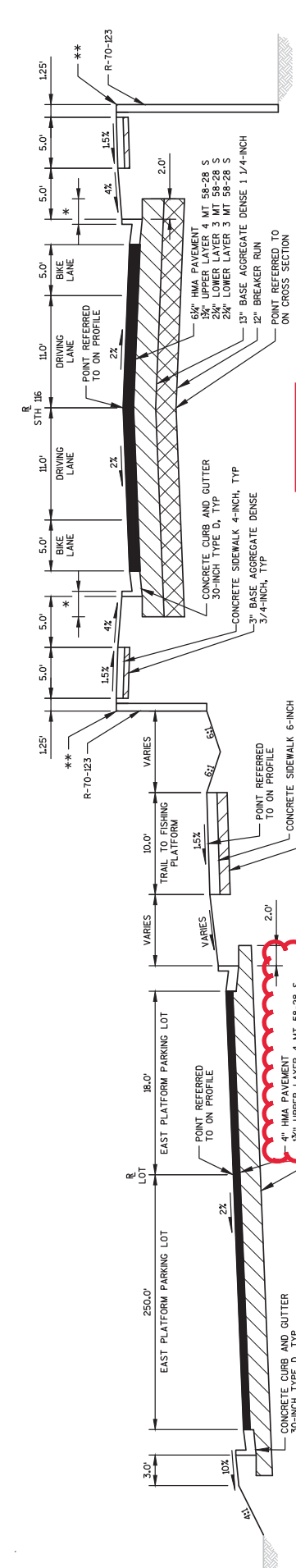
Mike Coleman

Proposal Development Specialist
Proposal Management Section

END OF ADDENDUM



FINISHED TYPICAL SECTION STH 116
1ST STREET - BRIDGE



FINISHED TYPICAL SECTION STH 116
BRIDGE - 1ST AVENUE

Addendum No. 01
ID 6190-15-72
Revised Sheet 9
August 3, 2017

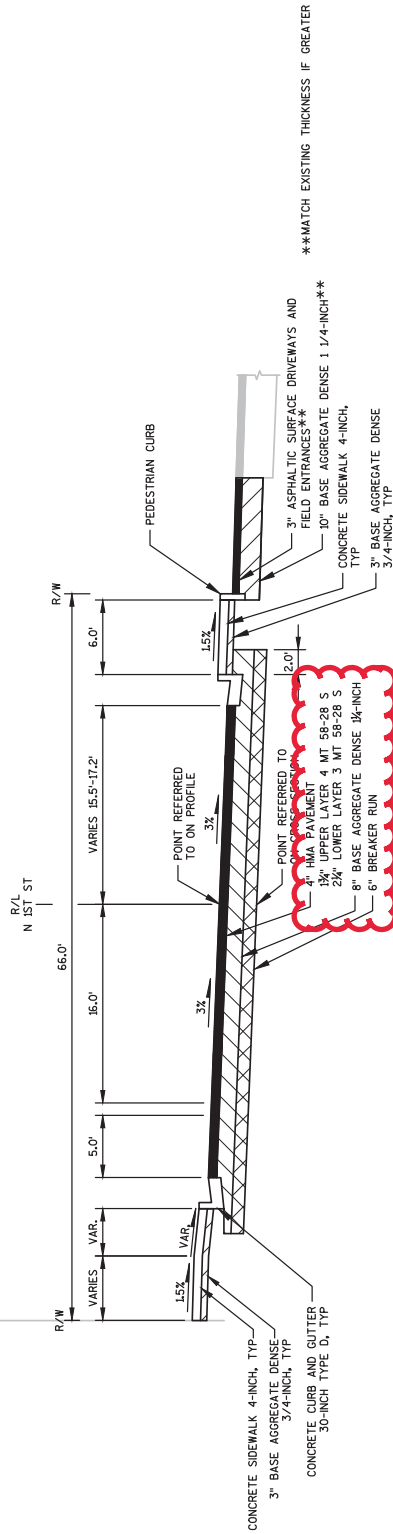
** 2.0' MINIMUM LATERAL CLEARANCE BEHIND FACE OF CURB
 ** SEE R-70-123 PLANS FOR ANCHOR SLAB AND COMBINATION RAIL DETAIL

** 2.0' MINIMUM LATERAL CLEARANCE BEHIND FACE OF CURB
 *** MATCH EXISTING THICKNESS IF GREATER
 ***** SEE R-70-123 PLANS FOR ANCHOR SLAB AND COMBINATION RAILING DETAILS

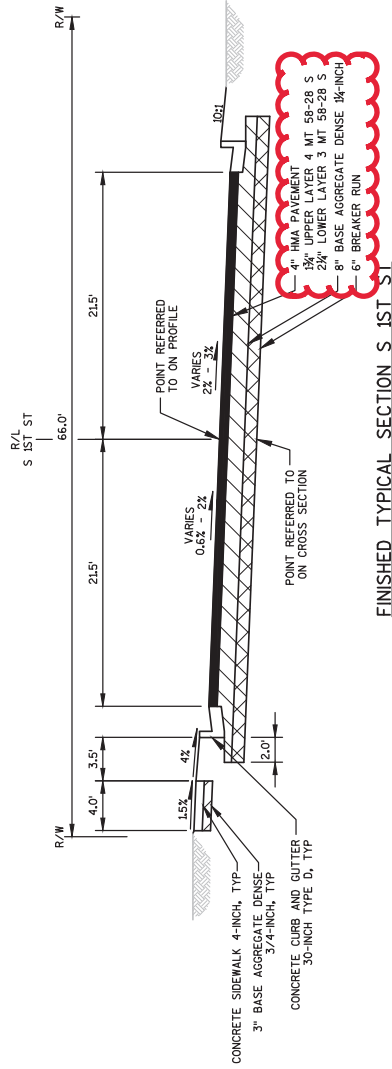
3" ASPHALTIC SURFACE DRIVEWAYS AND FIELD ENTRANCES
 10" BASE AGGREGATE DENSE 1 1/4-INCH
 12" BASE AGGREGATE DENSE 1 1/4-INCH
 2%
 POINT REFERRED TO ON PROFILE
 CONCRETE SIDEWALK 6-INCH
 6" BASE AGGREGATE DENSE 3/4-INCH

4" HMA PAVEMENT
 1 1/2" UPPER LAYER 4 MT 58-28 S
 2" LOWER LAYER 3 MT 58-28 S
 12" BASE AGGREGATE DENSE 1 1/4-INCH

Addendum No. 01
 ID 6190-15-72
 Revised Sheet 10
 August 3, 2017

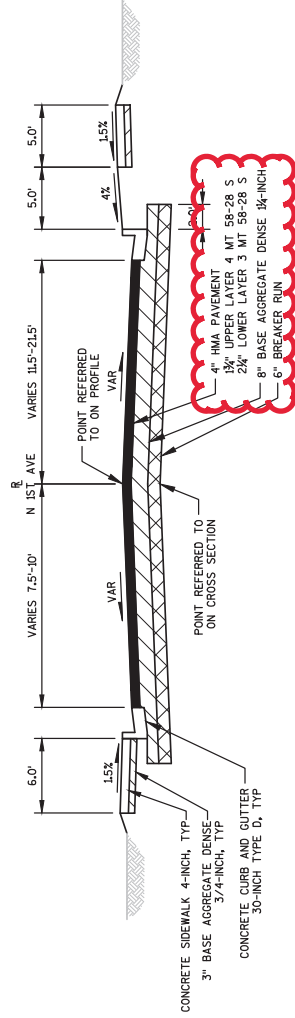


FINISHED TYPICAL SECTION N 1ST ST
 STA 12+99 - STA 14+91

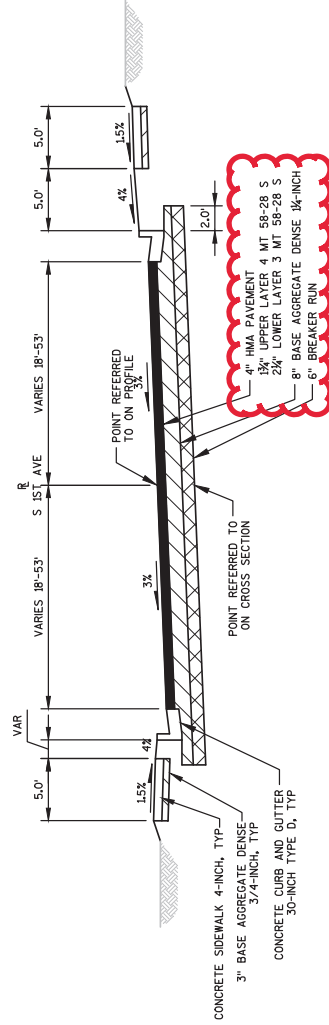


FINISHED TYPICAL SECTION S 1ST ST
 STA 11+50 - STA 12+00

Addendum No. 01
ID 6190-15-72
Revised Sheet 11
August 3, 2017

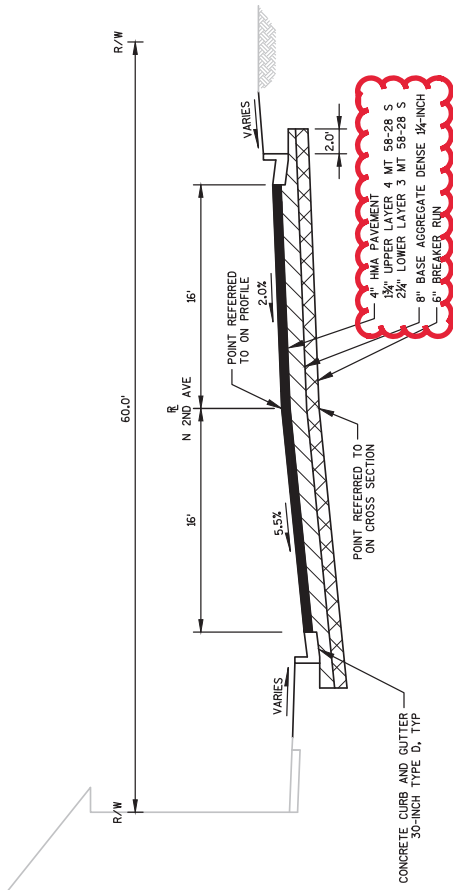


FINISHED TYPICAL SECTION N 1ST AVE
STA 16+50 - STA 17+50



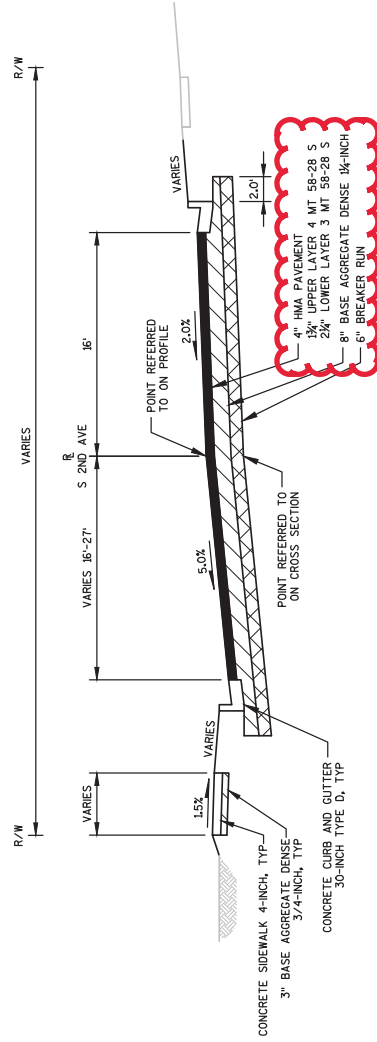
FINISHED TYPICAL SECTION S 1ST AVE
STA 12+94 - STA 14+77

PROJECT NO: 6190-15-72	HWY: STH 116	COUNTY: WINNEBAGO	TYPICAL SECTIONS	SHEET 11	E
FILE NAME : F:\NTR\JOBS\E2073\13\CIVIL_3D_2014\NSHEETS\PLAN\2 SHEETS\61901572-020301-TS.DWG					
61901572 PLAN - 61901572-020308-1S					
PLOT DATE : 8/3/2017 11:32 AM					
PLOT BY : CRAIG KNUHT					
PLOT NAME :					



FINISHED TYPICAL SECTION N 2ND AVE

STA 26+91 - STA 27+15



FINISHED TYPICAL SECTION S 2ND AVE

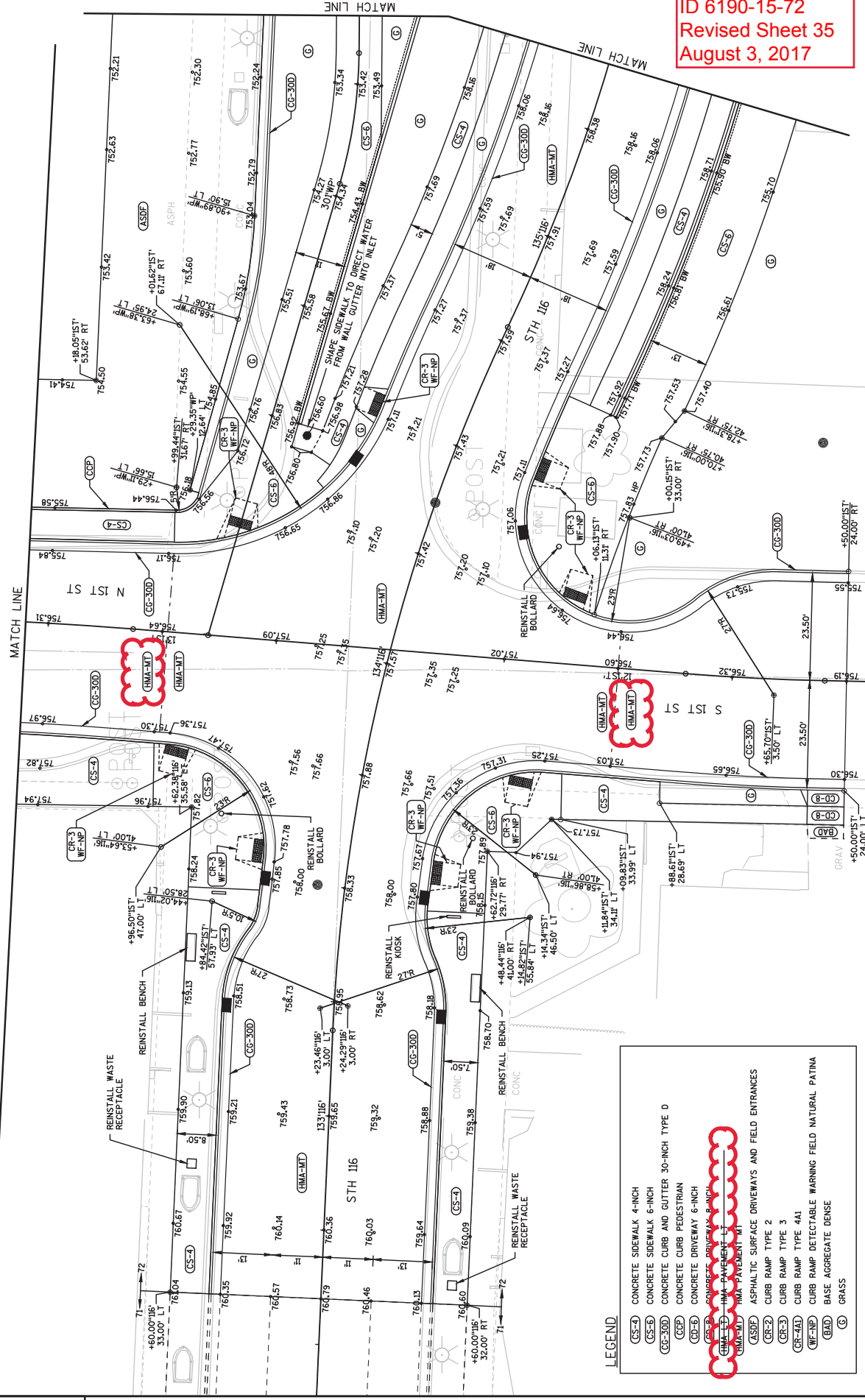
STA 25+60 - STA 26+03

Addendum No. 01
 ID 6190-15-72
 Revised Sheet 12
 August 3, 2017

PROJECT NO: 6190-15-72	HWY: STH 116	COUNTY: WINNEBAGO	TYPICAL SECTIONS	SHEET 12	E
FILE NAME : F:\NTR\JOBS\E2073413\CIVIL_3D_2014\NSHEETS\PLAN\2 SHEETS\61901572-020301-15.DWG					
61901572 PLAN - 61901572-020309-16					
PLOT DATE : 8/3/2017 11:32 AM					
PLOT BY : CRAIG KNUTH					
PLOT NAME :					

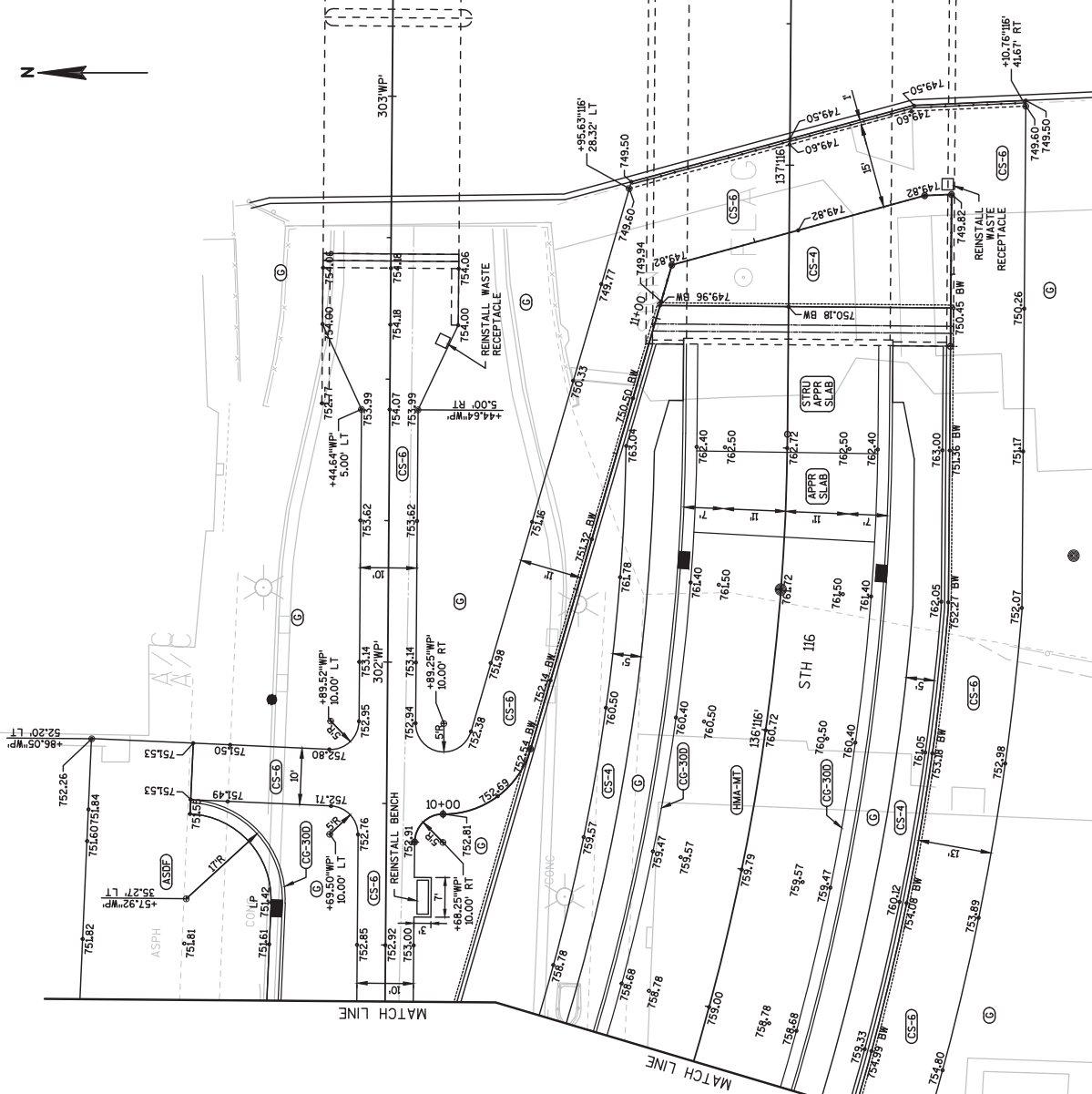


Addendum No. 01
ID 6190-15-72
Revised Sheet 35
August 3, 2017



LEGEND

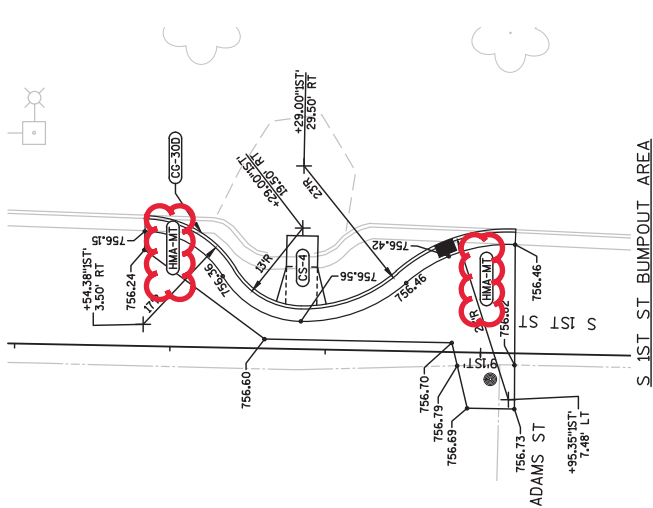
- CS-4 CONCRETE SIDEWALK 4-INCH
- CS-6 CONCRETE SIDEWALK 6-INCH
- CG-300D CONCRETE CURB AND GUTTER 30-INCH TYPE D
- CCP CONCRETE CURB PEDESTRIAN
- CD-6 CONCRETE DRIVEWAY 6-INCH
- CR-3 CONCRETE DRIVEWAY 8-INCH
- HMA-MT HMA PAVEMENT 8-INCH
- HMA-MT HMA PAVEMENT 11
- ASPF ASPHALTIC SURFACE DRIVEWAYS AND FIELD ENTRANCES
- CR-2 CURB RAMP TYPE 2
- CR-3 CURB RAMP TYPE 3
- CR-4A1 CURB RAMP TYPE 4A1
- WF-NP CURB RAMP DETECTABLE WARNING FIELD NATURAL PATINA
- BA-D BASE AGGREGATE DENSE
- G GRASS



Addendum No. 01
 ID 6190-15-72
 Revised Sheet 36
 August 3, 2017

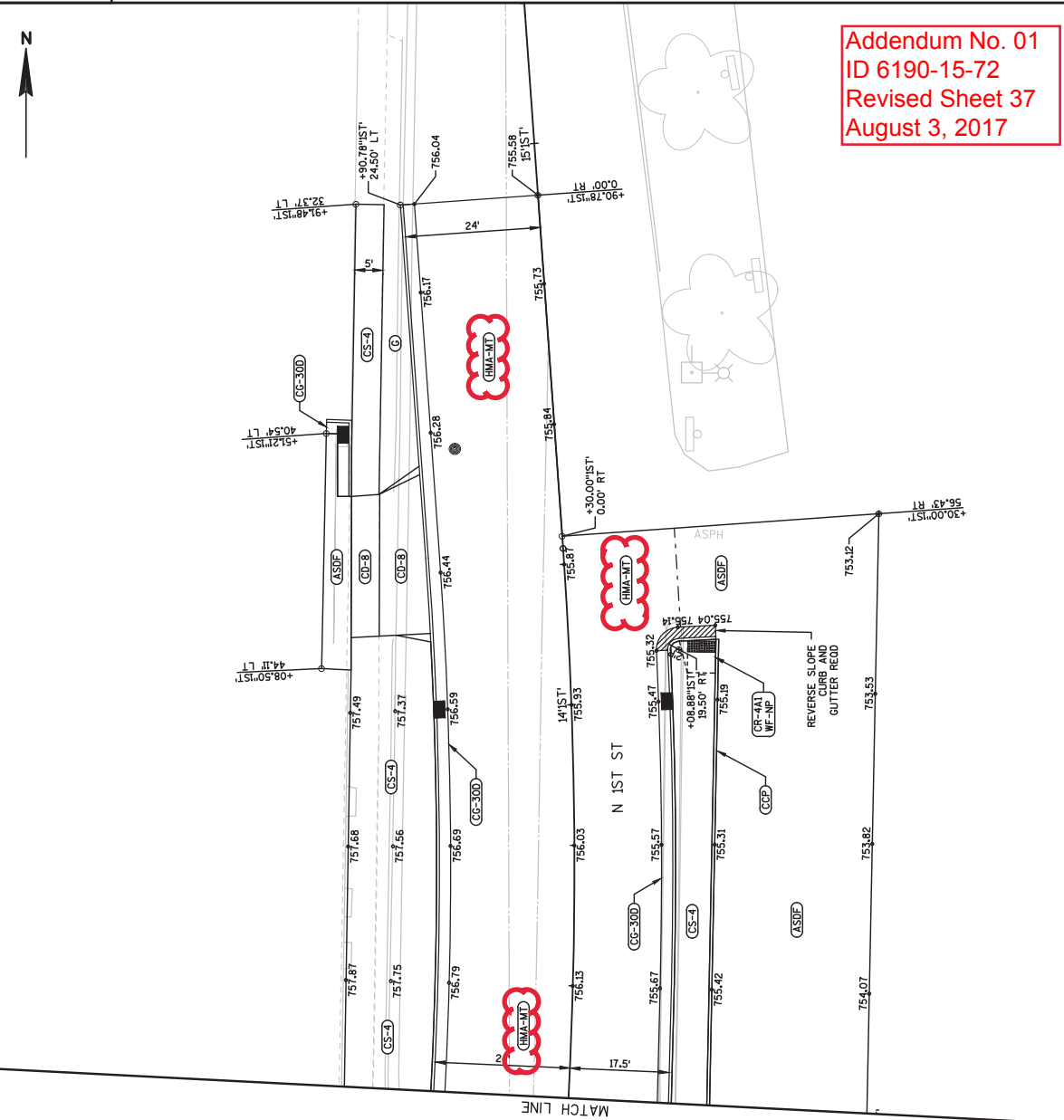
LEGEND

CS-4	CONCRETE SIDEWALK 4-INCH
CS-5	CONCRETE SIDEWALK 6-INCH
CS-6	CONCRETE CURB AND GUTTER 30-INCH TYPE D
CC-300D	CONCRETE CURB PEDESTRIAN
CC-300E	CONCRETE DRIVEWAY 6-INCH
CC-300F	CONCRETE DRIVEWAY 8-INCH
CC-300G	CONCRETE DRIVEWAY 10-INCH
ASPH	ASPHALTIC SURFACE DRIVEWAYS AND FIELD ENTRANCES
CR-1	CURB RAMP TYPE 1
CR-2	CURB RAMP TYPE 2
CR-3	CURB RAMP TYPE 3
CR-4A	CURB RAMP TYPE 4A
CR-4B	CURB RAMP TYPE 4B
WF-DE	CURB RAMP DETECTABLE WARNING FIELD NATURAL PATINA
BA	BASE AGGREGATE DENSE
G	GRASS



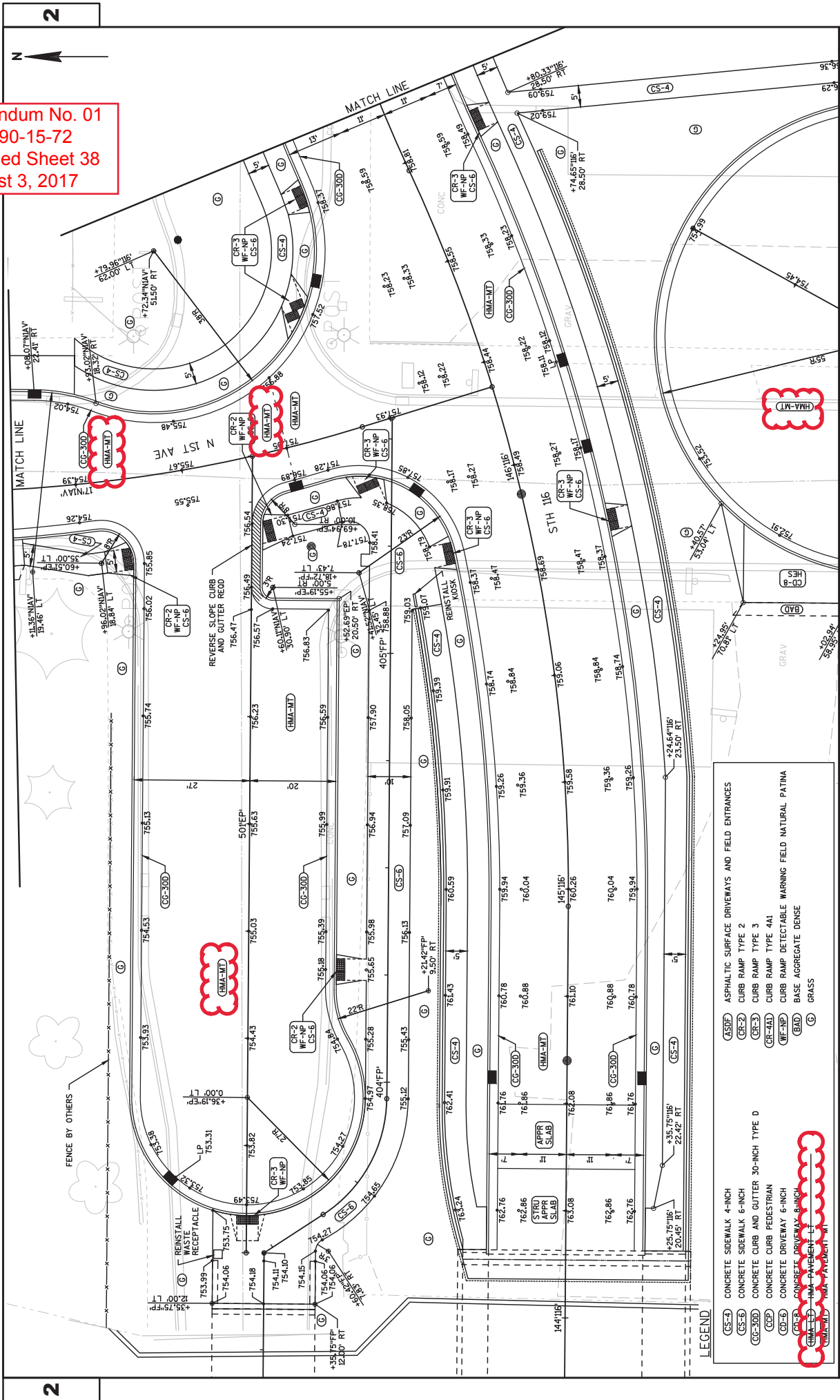
LEGEND

(CS-4)	CONCRETE SIDEWALK 4-INCH
(CS-5)	CONCRETE SIDEWALK 6-INCH
(CG-300)	CONCRETE CURB AND GUTTER 30-INCH TYPE D
(CGP)	CONCRETE CURB PEDESTRIAN
(CG-6)	CONCRETE DRIVEWAY 6-INCH
(CG-8)	CONCRETE DRIVEWAY 8-INCH
(HMA-MD)	HMA PAVEMENT 1 1/2 INCH
(ASDF)	ASPHALTIC SURFACE DRIVEWAYS AND FIELD ENTRANCES
(CR-2)	CURB RAMP TYPE 2
(CR-3)	CURB RAMP TYPE 3
(CR-4A1)	CURB RAMP TYPE 4A1
(WF-NP)	CURB RAMP DETECTABLE WARNING FIELD NATURAL PATINA
(EAD)	BASE AGGREGATE DENSE
(G)	GRASS



Addendum No. 01
ID 6190-15-72
Revised Sheet 37
August 3, 2017

Addendum No. 01
ID 6190-15-72
Revised Sheet 38
August 3, 2017



2

2

Symbol	Description
(CS-4)	CONCRETE SIDEWALK 4-INCH
(CS-5)	CONCRETE SIDEWALK 6-INCH
(CC-300)	CONCRETE CURB AND GUTTER 30-INCH TYPE D
(CR-3)	CONCRETE CURB PEDESTRIAN
(CR-4)	CONCRETE DRIVEWAY 6-INCH
(CR-5)	CONCRETE DRIVEWAY 8-INCH
(HMA-MT)	HMA PAVEMENT 1 1/2 INCH
(WF-NP)	WARRANTY FELD NATURAL PATINA
(SD)	BASE AGGREGATE DENSE
(G)	GRASS
(CR-2)	CURB RAMP TYPE 2
(CR-3)	CURB RAMP TYPE 3
(CR-4)	CURB RAMP TYPE 4
(CR-5)	CURB RAMP TYPE 5
(ASPR)	ASPHALTIC SURFACE DRIVEWAYS AND FIELD ENTRANCES

PROJECT NO: 6190-15-72

HWY: STH 116

COUNTY: WINNEBAGO

PAVING DETAIL: STH 116 / EAST PLATFORM PARKING LOT

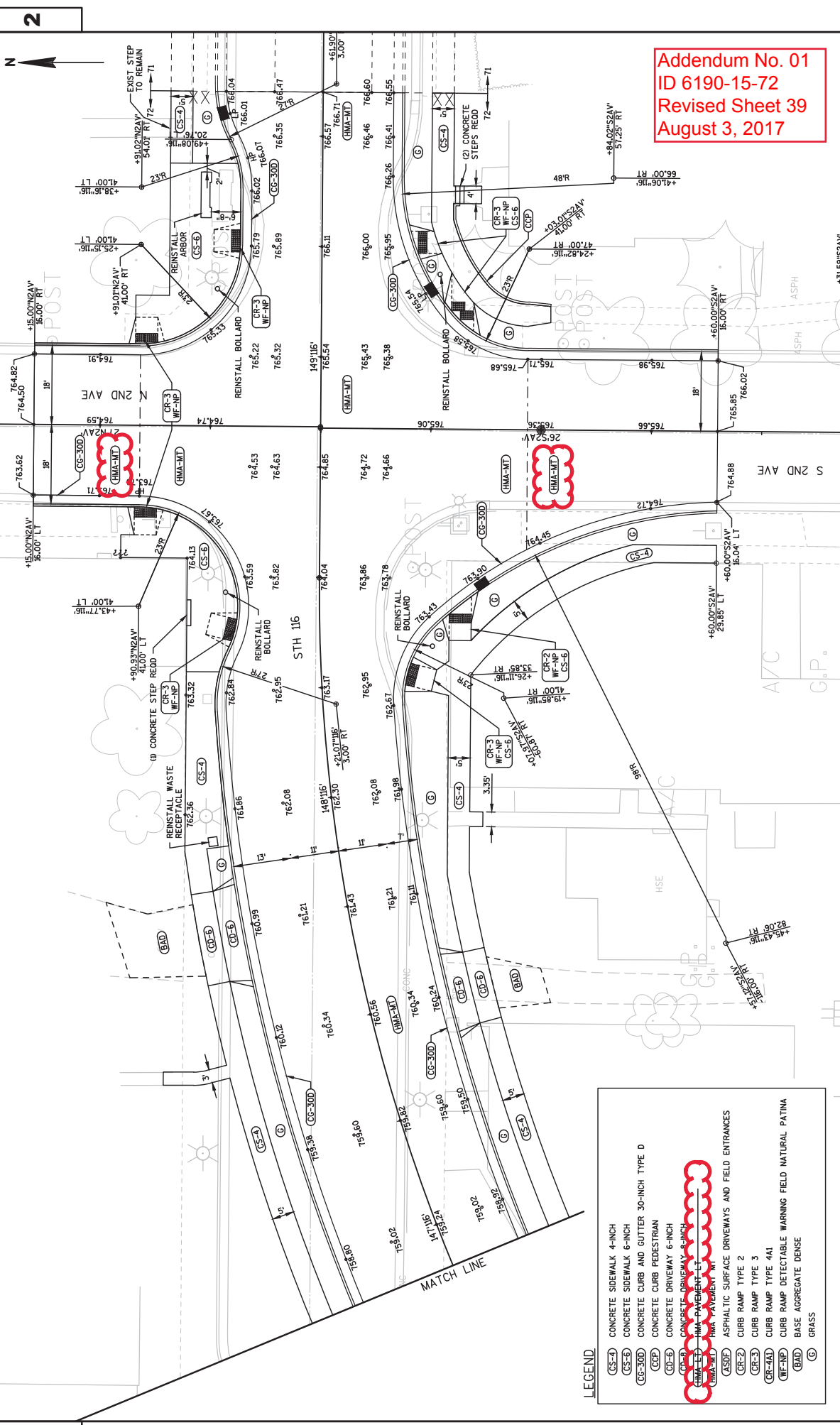
SHEET 38

FILE NAME : F:\NTR\065\2073\AL3\CIVIL 30 2014\SHETS\PLAN72 SHEETS\61901572-021201-PD.DWG
LAYOUT NAME - 61901572-021206-FC

DATE : 8/3/2017 11:55 AM

PLANT NAME : CRAIG KNUTH

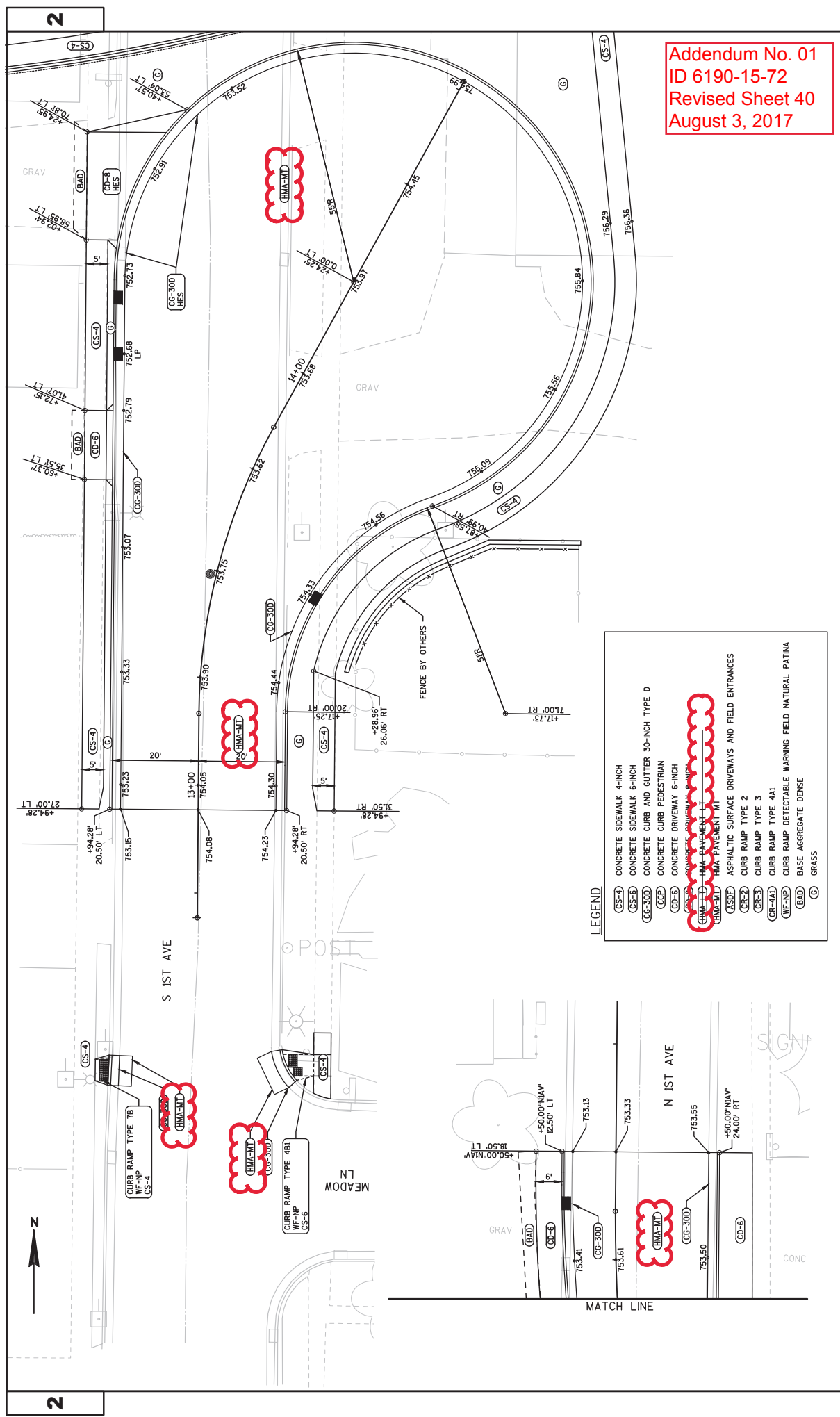
SCALE : 1"=120 FT



Addendum No. 01
 ID 6190-15-72
 Revised Sheet 39
 August 3, 2017

LEGEND

CS-4	CONCRETE SIDEWALK 4-INCH
CS-5	CONCRETE SIDEWALK 6-INCH
CG-300D	CONCRETE CURB AND GUTTER 30-INCH TYPE D
CGP	CONCRETE CURB PEDESTRIAN
CG-6	CONCRETE DRIVEWAY 6-INCH
CG-8	CONCRETE DRIVEWAY 8-INCH
HMA-PAVEMENT-4"	HMA PAVEMENT 4"
HMA-PAVEMENT-6"	HMA PAVEMENT 6"
ASDP	ASPHALTIC SURFACE DRIVEWAYS AND FIELD ENTRANCES
CR-2	CURB RAMP TYPE 2
CR-3	CURB RAMP TYPE 3
CR-4A1	CURB RAMP TYPE 4A1
WF-NP	CURB RAMP DETECTABLE WARNING FIELD NATURAL PATINA
BAID	BASE AGGREGATE DENSE
G	GRASS



Addendum No. 01
 ID 6190-15-72
 Revised Sheet 40
 August 3, 2017

LEGEND

CS-4	CONCRETE SIDEWALK 4-INCH
CS-5	CONCRETE SIDEWALK 6-INCH
CS-300	CONCRETE CURB AND GUTTER 30-INCH TYPE D
CE-2	CONCRETE CURB PEDESTRIAN
CE-3	CONCRETE DRIVEWAY 6-INCH
CE-4	CONCRETE DRIVEWAY 8-INCH
CE-5	CONCRETE DRIVEWAY 10-INCH
CE-6	HMA PAVEMENT 1 1/2 INCH
CE-7	HMA PAVEMENT 2 INCH
CE-8	ASPHALTIC SURFACE DRIVEWAYS AND FIELD ENTRANCES
CE-9	CURB RAMP TYPE 2
CE-10	CURB RAMP TYPE 3
CE-11	CURB RAMP TYPE 4A1
CE-12	CURB RAMP TYPE 4A2
CE-13	CURB RAMP TYPE 4A3
CE-14	CURB RAMP TYPE 4A4
CE-15	CURB RAMP TYPE 4A5
CE-16	CURB RAMP TYPE 4A6
CE-17	CURB RAMP TYPE 4A7
CE-18	CURB RAMP TYPE 4A8
CE-19	CURB RAMP TYPE 4A9
CE-20	CURB RAMP TYPE 4A10
CE-21	CURB RAMP TYPE 4A11
CE-22	CURB RAMP TYPE 4A12
CE-23	CURB RAMP TYPE 4A13
CE-24	CURB RAMP TYPE 4A14
CE-25	CURB RAMP TYPE 4A15
CE-26	CURB RAMP TYPE 4A16
CE-27	CURB RAMP TYPE 4A17
CE-28	CURB RAMP TYPE 4A18
CE-29	CURB RAMP TYPE 4A19
CE-30	CURB RAMP TYPE 4A20
CE-31	CURB RAMP TYPE 4A21
CE-32	CURB RAMP TYPE 4A22
CE-33	CURB RAMP TYPE 4A23
CE-34	CURB RAMP TYPE 4A24
CE-35	CURB RAMP TYPE 4A25
CE-36	CURB RAMP TYPE 4A26
CE-37	CURB RAMP TYPE 4A27
CE-38	CURB RAMP TYPE 4A28
CE-39	CURB RAMP TYPE 4A29
CE-40	CURB RAMP TYPE 4A30
CE-41	CURB RAMP TYPE 4A31
CE-42	CURB RAMP TYPE 4A32
CE-43	CURB RAMP TYPE 4A33
CE-44	CURB RAMP TYPE 4A34
CE-45	CURB RAMP TYPE 4A35
CE-46	CURB RAMP TYPE 4A36
CE-47	CURB RAMP TYPE 4A37
CE-48	CURB RAMP TYPE 4A38
CE-49	CURB RAMP TYPE 4A39
CE-50	CURB RAMP TYPE 4A40
CE-51	CURB RAMP TYPE 4A41
CE-52	CURB RAMP TYPE 4A42
CE-53	CURB RAMP TYPE 4A43
CE-54	CURB RAMP TYPE 4A44
CE-55	CURB RAMP TYPE 4A45
CE-56	CURB RAMP TYPE 4A46
CE-57	CURB RAMP TYPE 4A47
CE-58	CURB RAMP TYPE 4A48
CE-59	CURB RAMP TYPE 4A49
CE-60	CURB RAMP TYPE 4A50
CE-61	CURB RAMP TYPE 4A51
CE-62	CURB RAMP TYPE 4A52
CE-63	CURB RAMP TYPE 4A53
CE-64	CURB RAMP TYPE 4A54
CE-65	CURB RAMP TYPE 4A55
CE-66	CURB RAMP TYPE 4A56
CE-67	CURB RAMP TYPE 4A57
CE-68	CURB RAMP TYPE 4A58
CE-69	CURB RAMP TYPE 4A59
CE-70	CURB RAMP TYPE 4A60
CE-71	CURB RAMP TYPE 4A61
CE-72	CURB RAMP TYPE 4A62
CE-73	CURB RAMP TYPE 4A63
CE-74	CURB RAMP TYPE 4A64
CE-75	CURB RAMP TYPE 4A65
CE-76	CURB RAMP TYPE 4A66
CE-77	CURB RAMP TYPE 4A67
CE-78	CURB RAMP TYPE 4A68
CE-79	CURB RAMP TYPE 4A69
CE-80	CURB RAMP TYPE 4A70
CE-81	CURB RAMP TYPE 4A71
CE-82	CURB RAMP TYPE 4A72
CE-83	CURB RAMP TYPE 4A73
CE-84	CURB RAMP TYPE 4A74
CE-85	CURB RAMP TYPE 4A75
CE-86	CURB RAMP TYPE 4A76
CE-87	CURB RAMP TYPE 4A77
CE-88	CURB RAMP TYPE 4A78
CE-89	CURB RAMP TYPE 4A79
CE-90	CURB RAMP TYPE 4A80
CE-91	CURB RAMP TYPE 4A81
CE-92	CURB RAMP TYPE 4A82
CE-93	CURB RAMP TYPE 4A83
CE-94	CURB RAMP TYPE 4A84
CE-95	CURB RAMP TYPE 4A85
CE-96	CURB RAMP TYPE 4A86
CE-97	CURB RAMP TYPE 4A87
CE-98	CURB RAMP TYPE 4A88
CE-99	CURB RAMP TYPE 4A89
CE-100	CURB RAMP TYPE 4A90
G	GRASS

PROJECT NO: 6190-15-72 HWY: STH 116 COUNTY: WINNEBAGO PAVING DETAIL: S 1ST AVE / N 1ST AVE SHEET 40 E
 FILE NAME : F:\NTR\JOBS\2013\3\CVIL 30 2014\SHETS\PLAN\72 SHEETS\61901572-021201-PD.DWG PLOT DATE : 8/3/2017 11:56 AM PLOT BY : CRAIG KNUTH PLOT SCALE : 1:1 IN:20 FT WSDOT/CADD SHEET 42
 LAYOUT NAME - 61901572-021208-FC

Addendum No. 01
ID 6190-15-72
Revised Sheet 116
August 3, 2017

ASPHALTIC ITEMS

STATION TO	ROADWAY	455.0605 TACK COAT GAL	450.4000 HMA COLD WEATHER PAVING TON	460.2000 INCENTIVE DENSITY HMA PAVEMENT DOL	460.4110 REHEATING HMA PAVEMENT LONGITUDINAL JOINTS LF	460.6223 HMA PAVEMENT 3 MT 58-28 S 4 MT 58-28 S TON	460.6224 HMA PAVEMENT 3 MT 58-28 S 4 MT 58-28 S TON	465.0120 ASPHALTIC SURFACE DRIVEWAYS AND FIELD ENTRANCES TON	COMMENTS
PROJECT 6190-15-72									
CATEGORY 0010									
132+60	-	137+75	213	408	2,540	459	178	0	
143+75	-	149+60	292	560	3,560	630	245	0	
11+50	-	12+00	16	40	80	35	28	0	INCL BUMPOUT AT ADAMS
13+00	-	14+91	42	103	160	90	70	3	
12+94	-	14+81	83	203	740	178	139	0	INCL MEADOW LN CURB RAMPS
16+50	-	17+50	17	43	130	37	29	0	
25+60	-	26+03	10	25	70	22	17	0	
26+91	-	27+15	5	13	50	11	9	0	
FIN PARKING LOT		---	0	0	0	0	0	154	
CATEGORY 0010 SUBTOTALS		679*	100	1,395	7,330	1,464	715	157	
CATEGORY 0110									
EAST PLATFORM PARKING		---	44	109	350	95	74	0	
CATEGORY 0110 SUBTOTALS		44	---	109	350	95	74	0	
PROJECT TOTALS		723	100	1,503	7,680	1,559	789	157	

*ADDITIONAL QTY IN TEMPORARY SURFACE TABLE

TEMPORARY SHORING

STRUCTURE	511.1100
PROJECT 6190-15-72	SF
CATEGORY 0010	
R-70-122	2,710
R-70-123	2,560
PROJECT TOTAL	5,270

WALL MODULAR BLOCK GRAVITY

LOCATION	532.0201.S
PROJECT 6190-15-72	WALL MODULAR BLOCK GRAVITY LRFD
CATEGORY 0010	SF
S 1ST AV	235
PROJECT TOTAL	235

CONCRETE CURB AND GUTTER

STATION TO	ROADWAY	601.0411 30-INCH TYPE D LF	601.0600 CONCRETE CURB PEDESTRIAN LF	SPV.0090.035 HES 30-INCH TYPE D LF	COMMENTS
PROJECT 6190-15-72					
CATEGORY 0010					
132+60	-	136+68	830	---	
144+16	-	149+60	1,047	---	
11+50	-	12+00	104	---	
8+95	-	9+54	70	---	
13+00	-	14+91	327	---	
12+94	-	14+80	425	---	
16+42	-	17+50	173	---	INCL MEADOW LN CURB RAMPS
25+60	-	26+03	88	---	
26+91	-	27+15	48	---	
FIN PARKING LOT		---	150	---	
CATEGORY 0010 SUBTOTALS		3,262	160	40	
CATEGORY 0110					
EAST PLATFORM PARKING		385	---	---	
CATEGORY 0110 SUBTOTALS		385	---	---	
PROJECT TOTALS		3,647	160	40	

Addendum No. 01
 ID 6190-15-74
 Revised Sheet 132
 August 3, 2017

3

REMOVALS, SAWCUTS, PAVEMENT, AND CURB

ROADWAY / LOCATION	204.0100	204.0110	690.0150	690.0250	204.0150	305.0120	311.0110	450.4000	460.6223	460.6224	465.0120	465.0125	465.0310	601.0411	COMMENT
	REMOVING PAVEMENT	REMOVING ASPHALTIC SURFACE	SAWING ASPHALT	SAWING CONCRETE	REMOVING CURB AND GUTTER	BASE AGGREGATE DENSE 1.1/4-INCH	BREAKER RUN	HMA COLD WEATHER PAVING	HMA PAVEMENT 58-28 S	HMA PAVEMENT 58-28 S	ASPHALTIC SURFACE DRIVEWAYS AND FIELD ENTRANCES	ASPHALTIC TEMPORARY SURFACE	ASPHALTIC CURB	30-INCH TYPE D	
	SY	SY	LF	LF	LF	TON	TON	TON	TON	TON	TON	TON	LF	LF	
PROJECT 6190-15-74															
CATEGORY 0010															
WEST SIDE STH 116	30	135	600	130	10	60	0	0	0	0	0	19	10	---	2" ASPH SURF TEMP OVER 6" BAD
EAST SIDE STH 116	---	---	---	---	---	0	0	0	0	0	0	---	---	---	---
CATEGORY 0010 SUBTOTALS	30	135	600	130	10	60	0	0	0	0	0	19	10	0	0
PROJECT 6190-15-74															
CATEGORY 0020															
WEST SIDE STH 116	40	130	960	130	20	100	17	10	5	6	3	21	15	5	2" ASPH SURF TEMP OVER 6" BAD
EAST SIDE STH 116	---	90	430	---	10	30	0	0	0	0	0	10	10	---	---
CATEGORY 0020 SUBTOTALS	40	220	1,390	130	30	130	17	10	5	6	3	31	25	5	5
PROJECT TOTALS	70	355	1,990	260	40	190	17	10	5	6	3	50	35	5	5

WATER REMOVALS

STATION	OFFSET	ROADWAY	REMOVING FIRE HYDRANT	REMOVING VALVE AND BOX	COMMENTS
			EA	EA	
PROJECT 6190-15-74					
CATEGORY 0020					
13+01	20.2' LT	N 1ST ST	---	1	10 INCH
13+15	16.4' LT	N 1ST ST	---	1	6 INCH
13+46	19.8' LT	N 1ST ST	---	1	10 INCH
14+22	17.6' LT	N 1ST ST	---	1	8 INCH
15+59	5.9' LT	N 1ST ST	---	1	10 INCH
15+67	5.6' LT	N 1ST ST	---	1	10 INCH
13+03	27.2' RT	N 1ST ST	1	---	INCL VALVE
135+15	96.2' LT	STH 116	---	1	6 INCH
135+74	108.5' LT	STH 116	1	---	INCL VALVE
16+31	15.9' LT	N 1ST AV	---	1	10 INCH
16+73	18.9' RT	N 1ST AV	---	1	6 INCH
17+01	1.5' RT	N 1ST AV	---	1	10 INCH
17+09	23.9' LT	N 1ST AV	1	---	INCL VALVE
PROJECT TOTALS			3	10	

SANITARY REMOVALS

LOCATION	204.0210	204.0250	204.0291.S	204.9090.S.002	COMMENTS
	REMOVING MANHOLES	ABANDONING MANHOLES	ABANDONING SEWER	REMOVING SANITARY SEWER	
	EA	EA	CY	LF	
PROJECT 6190-15-74					
CATEGORY 0010					
STA 13+09, 0.8' RT, N 1ST ST	1	---	---	---	
STA 148+85, 1.3' LT, STH 116	1	---	---	---	
STA 135+19, 124.5' RT, STH 116	---	1	---	---	
STA 135+48, 95.2' RT, STH 116	---	1	---	---	
STA 136+02, 66.0' RT, STH 116	---	1	---	---	
STA 11+50 - STA 14+10, 1ST ST	---	---	---	260	10" DIA
FIN SERVICE	---	---	---	175	8" DIA
STA 146+05 - STA 149+60, STH 116	---	---	---	360	8" DIA
STA 14+30, 51' LT, S 1ST AVE	---	---	---	5	4" DIA
PARCEL 6 AND 9 SERVICE	---	---	2	---	6" DIA
PROJECT TOTALS	2	3	2	800	

PROJECT NO: 6190-15-74

HWY: STH 116

COUNTY: WINNEBAGO

MISCELLANEOUS QUANTITIES

SHEET 132

E 3.1

FILE NAME: F:\TR\JOBS\E073A13\Civil\3D 14\Sheets\Plan\74_Sheets\61901574-030201-rncj.ppt

ORIGINATOR: OMNI ASSOCIATES

ORIG. DATE:

REV. DATE:

PRINT DATE: August 3, 2017

3



Proposal Schedule of Items

Page 1 of 21

Proposal ID: 20170808010 Project(s): 6190-15-72, 6190-15-74

Federal ID(s): WISC 2017281, N/A

SECTION: 0001

Contract Items

Alt Set ID:

Alt Mbr ID:

Proposal Line Number	Item ID Description	Approximate Quantity and Units	Unit Price	Bid Amount
0010	201.0105 Clearing	2.000 STA	_____.	_____.
0020	201.0120 Clearing	4.000 ID	_____.	_____.
0030	201.0205 Grubbing	2.000 STA	_____.	_____.
0040	201.0220 Grubbing	4.000 ID	_____.	_____.
0050	204.0100 Removing Pavement	2,985.000 SY	_____.	_____.
0060	204.0110 Removing Asphaltic Surface	3,355.000 SY	_____.	_____.
0070	204.0150 Removing Curb & Gutter	3,295.000 LF	_____.	_____.
0080	204.0155 Removing Concrete Sidewalk	2,880.000 SY	_____.	_____.
0090	204.0170 Removing Fence	85.000 LF	_____.	_____.
0100	204.0195 Removing Concrete Bases	33.000 EACH	_____.	_____.
0110	204.0210 Removing Manholes	12.000 EACH	_____.	_____.
0120	204.0220 Removing Inlets	21.000 EACH	_____.	_____.
0130	204.0245 Removing Storm Sewer (size) 001. 6-Inch	8.000 LF	_____.	_____.
0140	204.0245 Removing Storm Sewer (size) 002. 12-INCH	384.000 LF	_____.	_____.
0150	204.0245 Removing Storm Sewer (size) 003. 15-INCH	140.000 LF	_____.	_____.
0160	204.0245 Removing Storm Sewer (size) 004. 18-INCH	316.000 LF	_____.	_____.



Proposal Schedule of Items

Proposal ID: 20170808010 Project(s): 6190-15-72, 6190-15-74

Federal ID(s): WISC 2017281, N/A

SECTION: 0001

Contract Items

Alt Set ID:

Alt Mbr ID:

Proposal Line Number	Item ID Description	Approximate Quantity and Units	Unit Price	Bid Amount
0170	204.0245 Removing Storm Sewer (size) 005. 24-INCH	310.000 LF	_____.	_____.
0180	204.0245 Removing Storm Sewer (size) 006. 30-INCH	80.000 LF	_____.	_____.
0190	204.0250 Abandoning Manholes	3.000 EACH	_____.	_____.
0200	204.0291.S Abandoning Sewer	2.000 CY	_____.	_____.
0210	204.9060.S Removing (item description) 001. Dock	6.000 EACH	_____.	_____.
0220	204.9060.S Removing (item description) 002. Bollard	4.000 EACH	_____.	_____.
0230	204.9060.S Removing (item description) 003. Flasher Standard	4.000 EACH	_____.	_____.
0240	204.9060.S Removing (item description) 004. Existing Lighting Control Cabinet	1.000 EACH	_____.	_____.
0250	204.9060.S Removing (item description) 005. Fire Hydrant	3.000 EACH	_____.	_____.
0260	204.9060.S Removing (item description) 006. Valve and Box	10.000 EACH	_____.	_____.
0270	204.9090.S Removing (item description) 001. Retaining Wall	195.000 LF	_____.	_____.
0280	204.9090.S Removing (item description) 007. Sanitary Sewer	800.000 LF	_____.	_____.
0290	204.9105.S Removing (item description) 001. Retaining Wall Sta 60+24.82	LS	LUMP SUM	_____.
0300	204.9105.S Removing (item description) 002. Retaining Wall Sta 50+02.72	LS	LUMP SUM	_____.



Proposal Schedule of Items

Proposal ID: 20170808010 Project(s): 6190-15-72, 6190-15-74

Federal ID(s): WISC 2017281, N/A

SECTION: 0001

Contract Items

Alt Set ID:

Alt Mbr ID:

Proposal Line Number	Item ID Description	Approximate Quantity and Units	Unit Price	Bid Amount
0310	205.0100 Excavation Common	16,250.000 CY	_____.	_____.
0320	206.1000 Excavation for Structures Bridges (structure) 001. B-70-316	LS	LUMP SUM	_____.
0330	206.1000 Excavation for Structures Bridges (structure) 002. B-70-321	LS	LUMP SUM	_____.
0340	206.1000 Excavation for Structures Bridges (structure) 003. B-70-322	LS	LUMP SUM	_____.
0350	206.5000 Cofferdams (structure) 001. B-70-316	LS	LUMP SUM	_____.
0360	206.5000 Cofferdams (structure) 002. B-70-321	LS	LUMP SUM	_____.
0370	206.5000 Cofferdams (structure) 003. B-70-322	LS	LUMP SUM	_____.
0380	208.0100 Borrow	3,640.000 CY	_____.	_____.
0390	208.1100 Select Borrow	14,750.000 CY	_____.	_____.
0400	209.0300.S Backfill Coarse Aggregate (size) 001. No 1	92.000 CY	_____.	_____.
0410	209.2100 Backfill Granular Grade 2	1,320.000 CY	_____.	_____.
0420	210.1500 Backfill Structure Type A	570.000 TON	_____.	_____.
0430	213.0100 Finishing Roadway (project) 001. 6190-15-72	1.000 EACH	_____.	_____.
0440	305.0110 Base Aggregate Dense 3/4-Inch	801.000 TON	_____.	_____.
0450	305.0120 Base Aggregate Dense 1 1/4-Inch	8,538.000 TON	_____.	_____.



Proposal Schedule of Items

Proposal ID: 20170808010 Project(s): 6190-15-72, 6190-15-74

Federal ID(s): WISC 2017281, N/A

SECTION: 0001

Contract Items

Alt Set ID:

Alt Mbr ID:

Proposal Line Number	Item ID Description	Approximate Quantity and Units	Unit Price	Bid Amount
0460	310.0110 Base Aggregate Open-Graded	7.000 TON	_____.	_____.
0470	311.0110 Breaker Run	4,777.000 TON	_____.	_____.
0480	415.0410 Concrete Pavement Approach Slab	106.660 SY	_____.	_____.
0490	416.0160 Concrete Driveway 6-Inch	124.000 SY	_____.	_____.
0500	416.0180 Concrete Driveway 8-Inch	46.000 SY	_____.	_____.
0510	416.0280 Concrete Driveway HES 8-Inch	38.000 SY	_____.	_____.
0520	450.4000 HMA Cold Weather Paving	110.000 TON	_____.	_____.
0530	455.0605 Tack Coat	724.000 GAL	_____.	_____.
0540	460.2000 Incentive Density HMA Pavement	1,504.000 DOL	1.00000	1,504.00
0550	460.4110.S Reheating HMA Pavement Longitudinal Joints	7,680.000 LF	_____.	_____.
0580	460.6223 HMA Pavement 3 MT 58-28 S	1,564.000 TON	_____.	_____.
0590	460.6224 HMA Pavement 4 MT 58-28 S	795.000 TON	_____.	_____.
0600	465.0120 Asphaltic Surface Driveways and Field Entrances	160.000 TON	_____.	_____.
0610	465.0125 Asphaltic Surface Temporary	247.000 TON	_____.	_____.
0620	465.0310 Asphaltic Curb	340.000 LF	_____.	_____.
0630	501.1000.S Ice Hot Weather Concreting	31,830.000 LB	_____.	_____.



Proposal Schedule of Items

Proposal ID: 20170808010 Project(s): 6190-15-72, 6190-15-74

Federal ID(s): WISC 2017281, N/A

SECTION: 0001

Contract Items

Alt Set ID:

Alt Mbr ID:

Proposal Line Number	Item ID Description	Approximate Quantity and Units	Unit Price	Bid Amount
0640	502.0100 Concrete Masonry Bridges	3,866.000 CY	_____.	_____.
0650	502.1100 Concrete Masonry Seal	356.000 CY	_____.	_____.
0660	502.3100 Expansion Device (structure) 001. B-70-316	LS	LUMP SUM	_____.
0670	502.3200 Protective Surface Treatment	5,345.000 SY	_____.	_____.
0680	502.3210 Pigmented Surface Sealer	628.000 SY	_____.	_____.
0690	503.0146 Prestressed Girder Type I 45W-Inch	5,937.000 LF	_____.	_____.
0700	504.0500 Concrete Masonry Retaining Walls	378.000 CY	_____.	_____.
0710	505.0400 Bar Steel Reinforcement HS Structures	37,100.000 LB	_____.	_____.
0720	505.0600 Bar Steel Reinforcement HS Coated Structures	655,085.000 LB	_____.	_____.
0730	505.0800.S Bar Steel Reinforcement HS Stainless Structures	1,290.000 LB	_____.	_____.
0740	506.0105 Structural Steel Carbon	4,195.000 LB	_____.	_____.
0750	506.2605 Bearing Pads Elastomeric Non-Laminated	80.000 EACH	_____.	_____.
0760	506.2610 Bearing Pads Elastomeric Laminated	32.000 EACH	_____.	_____.
0770	506.3005 Welded Stud Shear Connectors 7/8x4-Inch	94.000 EACH	_____.	_____.
0780	506.4000 Steel Diaphragms (structure) 001. B-70-316	98.000 EACH	_____.	_____.



Proposal Schedule of Items

Proposal ID: 20170808010 Project(s): 6190-15-72, 6190-15-74

Federal ID(s): WISC 2017281, N/A

SECTION: 0001

Contract Items

Alt Set ID:

Alt Mbr ID:

Proposal Line Number	Item ID Description	Approximate Quantity and Units	Unit Price	Bid Amount
0790	509.5100.S Polymer Overlay	793.000 SY	_____.	_____.
0800	511.1100 Temporary Shoring	5,270.000 SF	_____.	_____.
0810	512.0500 Piling Steel Sheet Permanent Delivered	8,285.000 SF	_____.	_____.
0820	512.0600 Piling Steel Sheet Permanent Driven	8,285.000 SF	_____.	_____.
0830	513.7026 Railing Steel Type C5 (structure) 001. B-70-316	1,500.000 LF	_____.	_____.
0840	513.7026 Railing Steel Type C5 (structure) 004. R-70-122	424.000 LF	_____.	_____.
0850	513.7026 Railing Steel Type C5 (structure) 005. R-70-123	411.000 LF	_____.	_____.
0860	513.8026 Railing Steel Pedestrian Type C5 (structure) 002. B-70-321	496.000 LF	_____.	_____.
0870	513.8026 Railing Steel Pedestrian Type C5 (structure) 003. B-70-322	510.000 LF	_____.	_____.
0880	516.0500 Rubberized Membrane Waterproofing	80.000 SY	_____.	_____.
0890	517.1015.S Concrete Staining Multi-Color (structure) 001. B-70-316	5,300.000 SF	_____.	_____.
0900	517.1015.S Concrete Staining Multi-Color (structure) 004. R-70-122	3,725.000 SF	_____.	_____.
0910	517.1015.S Concrete Staining Multi-Color (structure) 005. R-70-123	3,865.000 SF	_____.	_____.
0920	517.1050.S Architectural Surface Treatment (structure) 001. B-70-316	5,300.000 SF	_____.	_____.



Proposal Schedule of Items

Proposal ID: 20170808010 Project(s): 6190-15-72, 6190-15-74

Federal ID(s): WISC 2017281, N/A

SECTION: 0001

Contract Items

Alt Set ID:

Alt Mbr ID:

Proposal Line Number	Item ID Description	Approximate Quantity and Units	Unit Price	Bid Amount
0930	517.1050.S Architectural Surface Treatment (structure) 004. R-70-122	3,725.000 SF	_____.	_____.
0940	517.1050.S Architectural Surface Treatment (structure) 005. R-70-123	3,865.000 SF	_____.	_____.
0950	520.8000 Concrete Collars for Pipe	3.000 EACH	_____.	_____.
0960	532.0201.S Wall Modular Block Gravity LRFD	235.000 SF	_____.	_____.
0970	550.0500 Pile Points	233.000 EACH	_____.	_____.
0980	550.1100 Piling Steel HP 10-Inch X 42 Lb	4,460.000 LF	_____.	_____.
0990	550.1120 Piling Steel HP 12-Inch X 53 Lb	7,050.000 LF	_____.	_____.
1000	601.0411 Concrete Curb & Gutter 30-Inch Type D	3,652.000 LF	_____.	_____.
1010	601.0600 Concrete Curb Pedestrian	160.000 LF	_____.	_____.
1020	602.0405 Concrete Sidewalk 4-Inch	14,640.000 SF	_____.	_____.
1030	602.0415 Concrete Sidewalk 6-Inch	14,615.000 SF	_____.	_____.
1040	602.0515 Curb Ramp Detectable Warning Field Natural Patina	294.000 SF	_____.	_____.
1050	602.1500 Concrete Steps	14.000 SF	_____.	_____.
1060	603.8000 Concrete Barrier Temporary Precast Delivered	155.000 LF	_____.	_____.
1070	603.8125 Concrete Barrier Temporary Precast Installed	155.000 LF	_____.	_____.



Proposal Schedule of Items

Proposal ID: 20170808010 Project(s): 6190-15-72, 6190-15-74

Federal ID(s): WISC 2017281, N/A

SECTION: 0001

Contract Items

Alt Set ID:

Alt Mbr ID:

Proposal Line Number	Item ID Description	Approximate Quantity and Units	Unit Price	Bid Amount
1080	604.0400 Slope Paving Concrete	97.000 SY	_____.	_____.
1090	608.0312 Storm Sewer Pipe Reinforced Concrete Class III 12-Inch	606.000 LF	_____.	_____.
1100	608.0315 Storm Sewer Pipe Reinforced Concrete Class III 15-Inch	27.000 LF	_____.	_____.
1110	608.0318 Storm Sewer Pipe Reinforced Concrete Class III 18-Inch	372.000 LF	_____.	_____.
1120	608.0324 Storm Sewer Pipe Reinforced Concrete Class III 24-Inch	713.000 LF	_____.	_____.
1130	608.0412 Storm Sewer Pipe Reinforced Concrete Class IV 12-Inch	254.000 LF	_____.	_____.
1140	611.0420 Reconstructing Manholes	2.000 EACH	_____.	_____.
1150	611.0530 Manhole Covers Type J	10.000 EACH	_____.	_____.
1160	611.0612 Inlet Covers Type C	3.000 EACH	_____.	_____.
1170	611.0624 Inlet Covers Type H	16.000 EACH	_____.	_____.
1180	611.0639 Inlet Covers Type H-S	12.000 EACH	_____.	_____.
1190	611.1004 Catch Basins 4-FT Diameter	3.000 EACH	_____.	_____.
1200	611.1005 Catch Basins 5-FT Diameter	1.000 EACH	_____.	_____.
1210	611.1230 Catch Basins 2x3-FT	24.000 EACH	_____.	_____.
1220	611.2004 Manholes 4-FT Diameter	1.000 EACH	_____.	_____.



Proposal Schedule of Items

Proposal ID: 20170808010 Project(s): 6190-15-72, 6190-15-74

Federal ID(s): WISC 2017281, N/A

SECTION: 0001

Contract Items

Alt Set ID:

Alt Mbr ID:

Proposal Line Number	Item ID Description	Approximate Quantity and Units	Unit Price	Bid Amount
1230	611.2005 Manholes 5-FT Diameter	9.000 EACH	_____.	_____.
1240	611.3003 Inlets 3-FT Diameter	3.000 EACH	_____.	_____.
1250	611.8110 Adjusting Manhole Covers	1.000 EACH	_____.	_____.
1260	611.8115 Adjusting Inlet Covers	1.000 EACH	_____.	_____.
1270	611.8120.S Cover Plates Temporary	2.000 EACH	_____.	_____.
1280	612.0106 Pipe Underdrain 6-Inch	90.000 LF	_____.	_____.
1290	612.0206 Pipe Underdrain Unperforated 6-Inch	40.000 LF	_____.	_____.
1300	612.0212 Pipe Underdrain Unperforated 12-Inch	100.000 LF	_____.	_____.
1310	612.0406 Pipe Underdrain Wrapped 6-Inch	1,210.000 LF	_____.	_____.
1320	614.0905 Crash Cushions Temporary	1.000 EACH	_____.	_____.
1330	616.0404 Fence Chain Link Salvaged 4-FT	10.000 LF	_____.	_____.
1340	618.0100 Maintenance And Repair of Haul Roads (project) 001. 6190-15-72	1.000 EACH	_____.	_____.
1350	619.1000 Mobilization	1.000 EACH	_____.	_____.
1360	624.0100 Water	188.000 MGAL	_____.	_____.
1370	625.0100 Topsoil	10,579.000 SY	_____.	_____.
1380	628.1504 Silt Fence	2,250.000 LF	_____.	_____.



Proposal Schedule of Items

Proposal ID: 20170808010 Project(s): 6190-15-72, 6190-15-74

Federal ID(s): WISC 2017281, N/A

SECTION: 0001

Contract Items

Alt Set ID:

Alt Mbr ID:

Proposal Line Number	Item ID Description	Approximate Quantity and Units	Unit Price	Bid Amount
1390	628.1520 Silt Fence Maintenance	2,250.000 LF	_____.	_____.
1400	628.1905 Mobilizations Erosion Control	8.000 EACH	_____.	_____.
1410	628.1910 Mobilizations Emergency Erosion Control	4.000 EACH	_____.	_____.
1420	628.2006 Erosion Mat Urban Class I Type A	10,579.000 SY	_____.	_____.
1430	628.6510 Soil Stabilizer Type B	1.500 ACRE	_____.	_____.
1440	628.7005 Inlet Protection Type A	31.000 EACH	_____.	_____.
1450	628.7015 Inlet Protection Type C	27.000 EACH	_____.	_____.
1460	628.7020 Inlet Protection Type D	5.000 EACH	_____.	_____.
1470	628.7504 Temporary Ditch Checks	70.000 LF	_____.	_____.
1480	628.7560 Tracking Pads	3.000 EACH	_____.	_____.
1490	629.0205 Fertilizer Type A	10.440 CWT	_____.	_____.
1500	630.0110 Seeding Mixture No. 10	80.000 LB	_____.	_____.
1510	630.0140 Seeding Mixture No. 40	190.000 LB	_____.	_____.
1520	630.0200 Seeding Temporary	16.000 LB	_____.	_____.
1530	634.0614 Posts Wood 4x6-Inch X 14-FT	25.000 EACH	_____.	_____.
1540	634.0616 Posts Wood 4x6-Inch X 16-FT	4.000 EACH	_____.	_____.
1550	637.2210 Signs Type II Reflective H	184.510 SF	_____.	_____.



Proposal Schedule of Items

Proposal ID: 20170808010 Project(s): 6190-15-72, 6190-15-74

Federal ID(s): WISC 2017281, N/A

SECTION: 0001

Contract Items

Alt Set ID:

Alt Mbr ID:

Proposal Line Number	Item ID Description	Approximate Quantity and Units	Unit Price	Bid Amount
1560	637.2220 Signs Type II Reflective SH	6.750 SF	_____.	_____.
1570	637.2230 Signs Type II Reflective F	28.830 SF	_____.	_____.
1580	638.2602 Removing Signs Type II	26.000 EACH	_____.	_____.
1590	638.3000 Removing Small Sign Supports	9.000 EACH	_____.	_____.
1600	642.5401 Field Office Type D	1.000 EACH	_____.	_____.
1610	643.0100 Traffic Control (project) 001. 6190-15-72	1.000 EACH	_____.	_____.
1620	643.0300 Traffic Control Drums	31,040.000 DAY	_____.	_____.
1630	643.0310.S Temporary Portable Rumble Strips	1.000 LS	_____.	_____.
1640	643.0420 Traffic Control Barricades Type III	18,132.000 DAY	_____.	_____.
1650	643.0705 Traffic Control Warning Lights Type A	22,191.000 DAY	_____.	_____.
1660	643.0715 Traffic Control Warning Lights Type C	6,617.000 DAY	_____.	_____.
1670	643.0900 Traffic Control Signs	24,924.000 DAY	_____.	_____.
1680	643.1050 Traffic Control Signs PCMS	14.000 DAY	_____.	_____.
1690	644.1410.S Temporary Pedestrian Surface Asphalt	575.000 SF	_____.	_____.
1700	644.1601.S Temporary Curb Ramp	2.000 EACH	_____.	_____.
1710	644.1616.S Temporary Pedestrian Safety Fence	1,185.000 LF	_____.	_____.
1720	645.0111 Geotextile Type DF Schedule A	50.000 SY	_____.	_____.



Proposal Schedule of Items

Proposal ID: 20170808010 Project(s): 6190-15-72, 6190-15-74

Federal ID(s): WISC 2017281, N/A

SECTION: 0001

Contract Items

Alt Set ID:

Alt Mbr ID:

Proposal Line Number	Item ID Description	Approximate Quantity and Units	Unit Price	Bid Amount
1730	645.0112 Geotextile Type DF Schedule B	35.000 SY	_____.	_____.
1740	645.0140 Geotextile Type SAS	900.000 SY	_____.	_____.
1750	646.0106 Pavement Marking Epoxy 4-Inch	5,685.000 LF	_____.	_____.
1760	646.0600 Removing Pavement Markings	3,740.000 LF	_____.	_____.
1770	647.0206 Pavement Marking Arrows Bike Lane Epoxy	18.000 EACH	_____.	_____.
1780	647.0256 Pavement Marking Symbols Epoxy	1.000 EACH	_____.	_____.
1790	647.0306 Pavement Marking Symbols Bike Lane Epoxy	18.000 EACH	_____.	_____.
1800	647.0566 Pavement Marking Stop Line Epoxy 18-Inch	55.000 LF	_____.	_____.
1810	647.0656 Pavement Marking Parking Stall Epoxy	840.000 LF	_____.	_____.
1820	647.0766 Pavement Marking Crosswalk Epoxy 6-Inch	823.000 LF	_____.	_____.
1830	649.0402 Temporary Pavement Marking Paint 4-Inch	7,835.000 LF	_____.	_____.
1840	650.4000 Construction Staking Storm Sewer	41.000 EACH	_____.	_____.
1850	650.4500 Construction Staking Subgrade	2,290.000 LF	_____.	_____.
1860	650.5000 Construction Staking Base	2,290.000 LF	_____.	_____.
1870	650.5500 Construction Staking Curb Gutter and Curb & Gutter	3,845.000 LF	_____.	_____.



Proposal Schedule of Items

Proposal ID: 20170808010 Project(s): 6190-15-72, 6190-15-74

Federal ID(s): WISC 2017281, N/A

SECTION: 0001

Contract Items

Alt Set ID:

Alt Mbr ID:

Proposal Line Number	Item ID Description	Approximate Quantity and Units	Unit Price	Bid Amount
1880	650.6500 Construction Staking Structure Layout (structure) 001. B-70-316	LS	LUMP SUM	_____.
1890	650.6500 Construction Staking Structure Layout (structure) 002. B-70-321	LS	LUMP SUM	_____.
1900	650.6500 Construction Staking Structure Layout (structure) 003. B-70-322	LS	LUMP SUM	_____.
1910	650.6500 Construction Staking Structure Layout (structure) 004. R-70-122	LS	LUMP SUM	_____.
1920	650.6500 Construction Staking Structure Layout (structure) 005. R-70-123	LS	LUMP SUM	_____.
1930	650.6500 Construction Staking Structure Layout (structure) 006 R-70-125	LS	LUMP SUM	_____.
1940	650.6500 Construction Staking Structure Layout (structure) 007. R-70-126	LS	LUMP SUM	_____.
1950	650.8500 Construction Staking Electrical Installations (project) 001. 6190-15-72	LS	LUMP SUM	_____.
1960	650.9910 Construction Staking Supplemental Control (project) 001. 6190-15-72	LS	LUMP SUM	_____.
1970	650.9920 Construction Staking Slope Stakes	2,290.000 LF	_____.	_____.
1980	652.0125 Conduit Rigid Metallic 2-Inch	250.000 LF	_____.	_____.
1990	652.0210 Conduit Rigid Nonmetallic Schedule 40 1-Inch	151.000 LF	_____.	_____.
2000	652.0225 Conduit Rigid Nonmetallic Schedule 40 2-Inch	7,618.000 LF	_____.	_____.
2010	653.0220 Junction Boxes 18x6x6-Inch	8.000 EACH	_____.	_____.



Proposal Schedule of Items

Proposal ID: 20170808010 Project(s): 6190-15-72, 6190-15-74

Federal ID(s): WISC 2017281, N/A

SECTION: 0001

Contract Items

Alt Set ID:

Alt Mbr ID:

Proposal Line Number	Item ID Description	Approximate Quantity and Units	Unit Price	Bid Amount
2020	653.0222 Junction Boxes 18x12x6-Inch	25.000 EACH	_____.	_____.
2030	654.0105 Concrete Bases Type 5	18.000 EACH	_____.	_____.
2040	654.0111 Concrete Bases Type 11	9.000 EACH	_____.	_____.
2050	654.0230 Concrete Control Cabinet Bases Type L30	2.000 EACH	_____.	_____.
2060	655.0610 Electrical Wire Lighting 12 AWG	8,616.000 LF	_____.	_____.
2070	655.0615 Electrical Wire Lighting 10 AWG	16,544.000 LF	_____.	_____.
2080	655.0620 Electrical Wire Lighting 8 AWG	31,691.000 LF	_____.	_____.
2090	656.0200 Electrical Service Meter Breaker Pedestal (location) 001. CB100	LS	LUMP SUM	_____.
2100	656.0200 Electrical Service Meter Breaker Pedestal (location) 002. CB200	LS	LUMP SUM	_____.
2110	657.6005.S Anchor Assemblies Light Poles on Structures	27.000 EACH	_____.	_____.
2120	659.2130 Lighting Control Cabinets 120/240 30-Inch	2.000 EACH	_____.	_____.
2130	690.0150 Sawing Asphalt	3,350.000 LF	_____.	_____.
2140	690.0250 Sawing Concrete	1,595.000 LF	_____.	_____.
2150	715.0502 Incentive Strength Concrete Structures	25,464.000 DOL	1.00000	25,464.00
2160	999.1000.S Seismograph	LS	LUMP SUM	_____.



Proposal Schedule of Items

Proposal ID: 20170808010 Project(s): 6190-15-72, 6190-15-74

Federal ID(s): WISC 2017281, N/A

SECTION: 0001

Contract Items

Alt Set ID:

Alt Mbr ID:

Proposal Line Number	Item ID Description	Approximate Quantity and Units	Unit Price	Bid Amount
2170	ASP.1T0A On-the-Job Training Apprentice at \$5.00/HR	2,100.000 HRS	5.00000	10,500.00
2180	ASP.1T0G On-the-Job Training Graduate at \$5.00/HR	5,760.000 HRS	5.00000	28,800.00
2190	SPV.0035 Special 405. Hauling Structure Excavation B-70-316	1,440.000 CY	_____	_____
2200	SPV.0035 Special 406. Hauling Structure Excavation B-70-321	120.000 CY	_____	_____
2210	SPV.0035 Special 407. Hauling Structure Excavation B-70-322	140.000 CY	_____	_____
2220	SPV.0060 Special 010. Remove and Reinstall Bollard	7.000 EACH	_____	_____
2230	SPV.0060 Special 011. Remove and Reinstall Bench	3.000 EACH	_____	_____
2240	SPV.0060 Special 012. Remove and Reinstall Waste Receptacle	6.000 EACH	_____	_____
2250	SPV.0060 Special 013. Remove and Reinstall Kiosk	3.000 EACH	_____	_____
2260	SPV.0060 Special 014. Mini Storm Sewer Cleanouts	1.000 EACH	_____	_____
2270	SPV.0060 Special 016. Low Permeable Trench Plugs	22.000 EACH	_____	_____
2280	SPV.0060 Special 018. Remove and Reinstall Arbor	1.000 EACH	_____	_____
2290	SPV.0060 Special 020. Temporary Inlet	1.000 EACH	_____	_____
2300	SPV.0060 Special 110. Fire Hydrant	3.000 EACH	_____	_____



Proposal Schedule of Items

Proposal ID: 20170808010 Project(s): 6190-15-72, 6190-15-74

Federal ID(s): WISC 2017281, N/A

SECTION: 0001

Contract Items

Alt Set ID:

Alt Mbr ID:

Proposal Line Number	Item ID Description	Approximate Quantity and Units	Unit Price	Bid Amount
2310	SPV.0060 Special 111. Connect To Existing Water Main	7.000 EACH	_____.	_____.
2320	SPV.0060 Special 112. Water Main Bend 11.25 Degree 6-Inch	1.000 EACH	_____.	_____.
2330	SPV.0060 Special 113. Water Main Bend 11.25 Degree 10-Inch	4.000 EACH	_____.	_____.
2340	SPV.0060 Special 114. Water Main Bend 11.25 Degree 12-Inch	1.000 EACH	_____.	_____.
2350	SPV.0060 Special 115. Water Main Bend 45 Degree 6-Inch	2.000 EACH	_____.	_____.
2360	SPV.0060 Special 116. Water Main Bend 45 Degree 10-Inch	6.000 EACH	_____.	_____.
2370	SPV.0060 Special 117. Water Main Bend 45 Degree 12-Inch	4.000 EACH	_____.	_____.
2380	SPV.0060 Special 118. Water Main Reducer 12x6-Inch	1.000 EACH	_____.	_____.
2390	SPV.0060 Special 119. Water Main Reducer 12x10-Inch	5.000 EACH	_____.	_____.
2400	SPV.0060 Special 120. Water Main Reducer 14x12-Inch	1.000 EACH	_____.	_____.
2410	SPV.0060 Special 121. Water Main Tee 10x6-Inch	2.000 EACH	_____.	_____.
2420	SPV.0060 Special 122. Water Main Tee 12x6-Inch	3.000 EACH	_____.	_____.
2430	SPV.0060 Special 123. Water Main Tee 12x8-Inch	1.000 EACH	_____.	_____.
2440	SPV.0060 Special 124. Water Main Tee 12x12-Inch	3.000 EACH	_____.	_____.



Proposal Schedule of Items

Proposal ID: 20170808010 Project(s): 6190-15-72, 6190-15-74

Federal ID(s): WISC 2017281, N/A

SECTION: 0001

Contract Items

Alt Set ID:

Alt Mbr ID:

Proposal Line Number	Item ID Description	Approximate Quantity and Units	Unit Price	Bid Amount
2450	SPV.0060 Special 125. Water Main Valve and Box 6-Inch	5.000 EACH	_____.	_____.
2460	SPV.0060 Special 126. Water Main Valve and Box 8-Inch	1.000 EACH	_____.	_____.
2470	SPV.0060 Special 127. Water Main Valve and Box 10-Inch	4.000 EACH	_____.	_____.
2480	SPV.0060 Special 128. Water Main Valve and Box 12-Inch	8.000 EACH	_____.	_____.
2490	SPV.0060 Special 129. Corporation, Curb Stop, and Box (Set)	6.000 EACH	_____.	_____.
2500	SPV.0060 Special 211. Standard Sanitary Pipe Connection	3.000 EACH	_____.	_____.
2510	SPV.0060 Special 212. Sanitary Wye 8-Inch Main	5.000 EACH	_____.	_____.
2520	SPV.0060 Special 213. Sanitary Manhole Covers Type J Special	2.000 EACH	_____.	_____.
2530	SPV.0060 Special 214. Internal Chimney Seal 1-Piece	2.000 EACH	_____.	_____.
2540	SPV.0060 Special 215. Internal Chimney Seal 2-Piece	2.000 EACH	_____.	_____.
2550	SPV.0060 Special 310. Pull Box Non-Conductive 24x42-Inch	23.000 EACH	_____.	_____.
2560	SPV.0060 Special 312. Remove and Reinstall Decorative Lighting Assembly	24.000 EACH	_____.	_____.
2570	SPV.0060 Special 313. Decorative Luminaire - Type A	14.000 EACH	_____.	_____.



Proposal Schedule of Items

Proposal ID: 20170808010 Project(s): 6190-15-72, 6190-15-74

Federal ID(s): WISC 2017281, N/A

SECTION: 0001

Contract Items

Alt Set ID:

Alt Mbr ID:

Proposal Line Number	Item ID Description	Approximate Quantity and Units	Unit Price	Bid Amount
2580	SPV.0060 Special 314. Decorative Luminaire - Type B	10.000 EACH	_____.	_____.
2590	SPV.0060 Special 315. Decorative Street Light Assembly - Type A	8.000 EACH	_____.	_____.
2600	SPV.0060 Special 316. Bollard Lighting Unit - LED	2.000 EACH	_____.	_____.
2610	SPV.0060 Special 317. Transformer Bases Breakaway 11 1/2-Inch Bolt Circle - Black	3.000 EACH	_____.	_____.
2620	SPV.0060 Special 318. Poles Type 5 - Aluminum - Black	3.000 EACH	_____.	_____.
2630	SPV.0060 Special 319. Luminaire Arms Single Member 4 1/2-Inch Clamp 8 Ft - Black	3.000 EACH	_____.	_____.
2640	SPV.0060 Special 320. Luminaires Utility LED A - Black	3.000 EACH	_____.	_____.
2650	SPV.0060 Special 321. Light Pole Modifier - GFCI Receptacle	9.000 EACH	_____.	_____.
2660	SPV.0060 Special 322. Lighting Units Walkway Black	21.000 EACH	_____.	_____.
2670	SPV.0060 Special 410. Fabricated Steel Shelter	2.000 EACH	_____.	_____.
2680	SPV.0060 Special 411. Clearance Gauge	2.000 EACH	_____.	_____.
2690	SPV.0060 Special 412. Underwater Inspection	1.000 EACH	_____.	_____.
2700	SPV.0060 Special 413. Deadman Tiebacks	12.000 EACH	_____.	_____.
2710	SPV.0075 Special 020. Street Sweeping	300.000 HRS	_____.	_____.



Proposal Schedule of Items

Proposal ID: 20170808010 Project(s): 6190-15-72, 6190-15-74

Federal ID(s): WISC 2017281, N/A

SECTION: 0001

Contract Items

Alt Set ID:

Alt Mbr ID:

Proposal Line Number	Item ID Description	Approximate Quantity and Units	Unit Price	Bid Amount
2720	SPV.0090 Special 030. Mini Storm Lateral 4-Inch	264.000 LF	_____.	_____.
2730	SPV.0090 Special 031. Mini Storm Trunk 6-Inch	145.000 LF	_____.	_____.
2740	SPV.0090 Special 032. Salvage Planter Rail	40.000 LF	_____.	_____.
2750	SPV.0090 Special 034. Rail Steel Pedestrian Type C5 Sidewalk	98.000 LF	_____.	_____.
2760	SPV.0090 Special 035. Concrete Curb and Gutter HES 30-Inch Type D	40.000 LF	_____.	_____.
2770	SPV.0090 Special 130. Water Main 6-Inch	222.000 LF	_____.	_____.
2780	SPV.0090 Special 131. Water Main 8-Inch	12.000 LF	_____.	_____.
2790	SPV.0090 Special 132. Water Main 10-Inch	85.000 LF	_____.	_____.
2800	SPV.0090 Special 133. Water Main 12-Inch	607.000 LF	_____.	_____.
2810	SPV.0090 Special 134. Water Main 6-Inch Contaminated Soils	116.000 LF	_____.	_____.
2820	SPV.0090 Special 135. Water Main 10-Inch Contaminated Soils	285.000 LF	_____.	_____.
2830	SPV.0090 Special 136. Water Main 12-Inch Contaminated Soils	346.000 LF	_____.	_____.
2840	SPV.0090 Special 137. Water Service 1-Inch	171.000 LF	_____.	_____.
2850	SPV.0090 Special 139. Steel Casing Pipe 24-Inch	75.000 LF	_____.	_____.
2860	SPV.0090 Special 230. Sanitary Sewer Pipe 8-Inch	550.000 LF	_____.	_____.



Proposal Schedule of Items

Proposal ID: 20170808010 Project(s): 6190-15-72, 6190-15-74

Federal ID(s): WISC 2017281, N/A

SECTION: 0001

Contract Items

Alt Set ID:

Alt Mbr ID:

Proposal Line Number	Item ID Description	Approximate Quantity and Units	Unit Price	Bid Amount
2870	SPV.0090 Special 231. Sanitary Sewer Pipe 10-Inch	261.000 LF	_____.	_____.
2880	SPV.0090 Special 232. Sanitary Sewer Lateral 4 Or 6-Inch	158.000 LF	_____.	_____.
2890	SPV.0090 Special 430. Water Corrosion Protection	141.000 LF	_____.	_____.
2900	SPV.0105 Special 051. Salvage Railing / Sign	LS	LUMP SUM	_____.
2910	SPV.0105 Special 052. Preparation, Shaping, and Finishing Sediment Disposal Site	LS	LUMP SUM	_____.
2920	SPV.0105 Special 151. Construction Staking Miscellaneous Village Utilities	LS	LUMP SUM	_____.
2930	SPV.0105 Special 350. Navigational Lights and Aids	LS	LUMP SUM	_____.
2940	SPV.0105 Special 351. Electrical Service Meter Breaker Pedestal Special	LS	LUMP SUM	_____.
2950	SPV.0105 Special 450. Rem Old Structure Over Waterway With Minimal Debris Mod Station 140+42	LS	LUMP SUM	_____.
2960	SPV.0120 Special 060. Water For Seeded Areas	300.000 MGAL	_____.	_____.
2970	SPV.0165 Special 470. Wall Concrete Panel Mechanically Stabilized Earth LRFD/QMP **P**	7,151.000 SF	_____.	_____.
2980	SPV.0195 Special 001. Excavation Hauling and Disposal of Contaminated Soil	9,280.000 TON	_____.	_____.
2990	SPV.0200 Special 200. Sanitary Manhole	17.300 VF	_____.	_____.
Section: 0001			Total:	_____.

Total Bid: _____.

