



Wisconsin Department of Transportation

November 01, 2017

Division of Transportation Systems Development

Bureau of Project Development
4802 Sheboygan Avenue, Rm 601
P O Box 7916
Madison, WI 53707-7916

Telephone: (608) 266-1631
Facsimile (FAX): (608) 266-8459

NOTICE TO ALL CONTRACTORS:

Proposal #41: 6570-08-71, WISC 2017 619
Seymour - Angelica
Lake Road - NCL
STH 55
Outagamie County

Letting of November 14, 2017

This is Addendum No. 01, which provides for the following:

Schedule of Items:

Revised Bid Item Quantities					
Bid Item	Item Description	Unit	Old Quantity	Revised Quantity	Proposal Total
643.0420	Traffic Control Barricades Type III	Days	30	570	600
643.0705	Traffic Control Warning Lights Type A	Days	60	540	600
643.0900	Traffic Control Signs	Days	1,035	340	1,375

Plan Sheets:

Revised Plan Sheets	
Plan Sheet	Plan Sheet Title (brief description of changes to sheet)
12	Construction Details – Notes removed from Wedging Layer to Increase Superelevation
13	Construction Details – HMA layers added to Frost Heave Repair and construction detail added for other culvert pipe replacement.
44	Miscellaneous Quantities – Traffic control “day” items table changed to add quantities for traffic control signs, traffic control barricades type III and traffic control warning lights type A.
45	Miscellaneous Quantities – Note added to indicate barricade type III and Warning lights type A quantities are for informational purposes only, additional quantities shown elsewhere.
46	Miscellaneous Quantities – Note added to indicate barricade type III and Warning lights type A quantities are for informational purposes only, additional quantities shown elsewhere.
47	Miscellaneous Quantities – Note added to indicate barricade type III and Warning lights type A quantities are for informational purposes only, additional quantities shown elsewhere.

Schedule of Items

Attached, dated November 01, 2017 are the revised Schedule of Items Page 4.

Plan Sheets

The following 8½ x 11-inch sheets are attached and made part of the plans for this proposal:

Revised: 12, 13, 44, 45, 46, and 47.

The responsibility for notifying potential subcontractors and suppliers of these changes remains with the prime contractor.

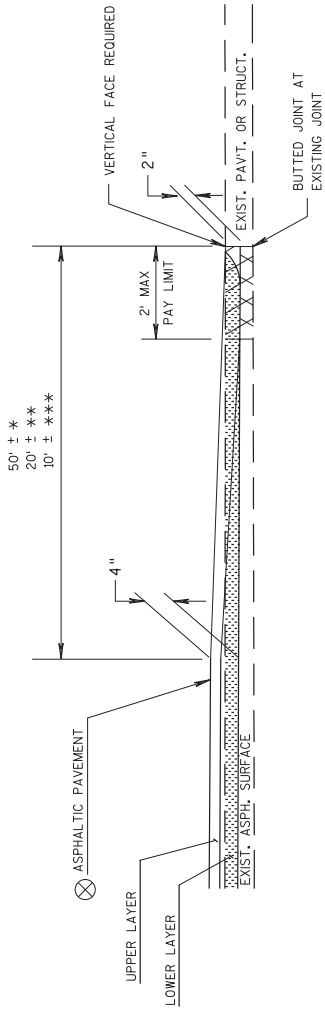
Sincerely,

Mike Coleman

Proposal Development Specialist
Proposal Management Section

END OF ADDENDUM

Addendum No. 01
ID 6570-08-71
Revised Sheet 12
November 1, 2017

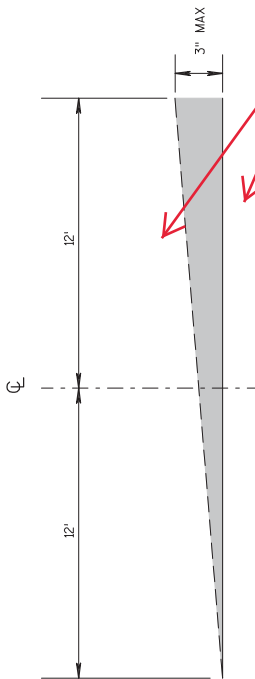
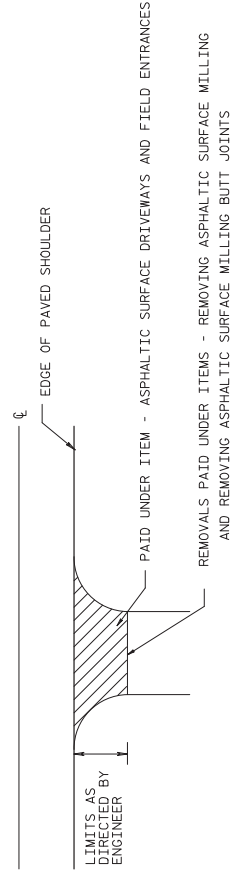


- ⊗ SEE TYPICAL CROSS SECTION FOR THICKNESS OF INDIVIDUAL LAYERS
- ▨ REMOVING ASPHALTIC SURFACE, MILLING
- ▧ REMOVING ASPHALTIC SURFACE, BUTT JOINTS (FULL DEPTH REMOVAL OPTIONAL)
- ▩ ASPHALTIC WEDGING (FULL DEPTH REMOVAL OPTION)

BUTT JOINT DETAIL FOR MILLED ASPHALTIC PAVEMENTS

- * MAINLINE
- ** SIDEROADS
- *** PRIVATE ENTRANCES

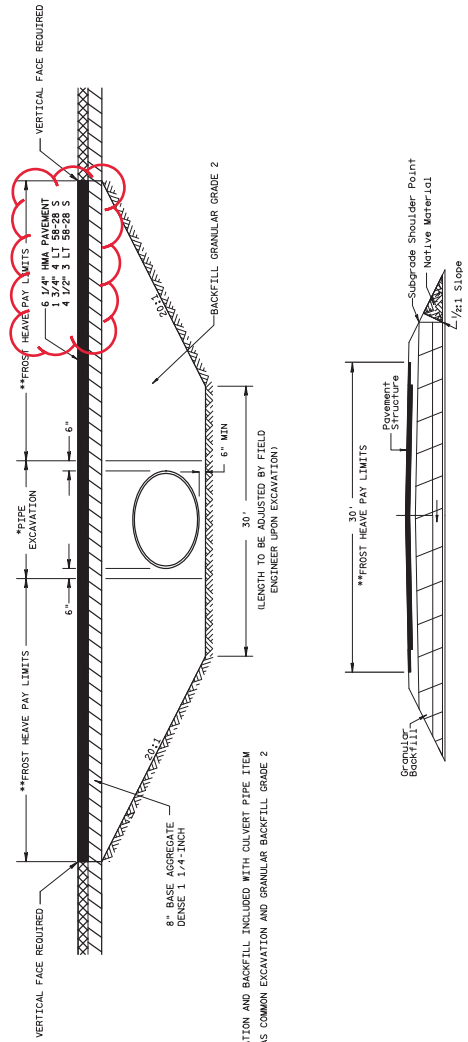
RURAL DRIVEWAY DETAIL - ASPHALT



WEDGING LAYER TO INCREASE SUPERELEVATION

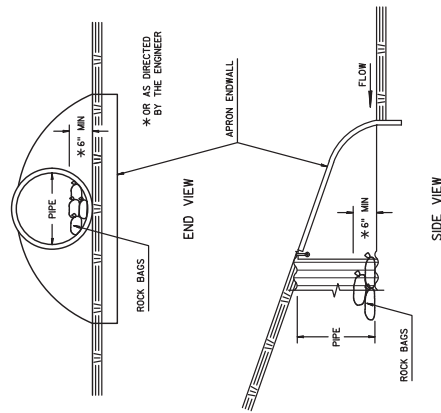
CURVE PI STA 297+56
EXISTING SUPER 0.08%
PLAN SUPER 1.0%

notes removed



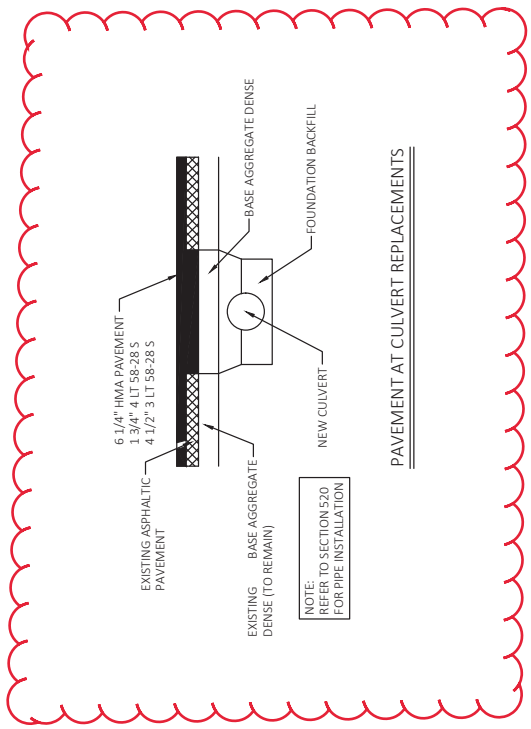
*EXCAVATION AND BACKFILL INCLUDED WITH CULVERT PIPE ITEM
 **PAID AS COMMON EXCAVATION AND GRANULAR BACKFILL GRADE 2

FROST HEAVE REPAIR AREA STA 225+56



CULVERT PIPE CHECKS

Addendum No. 01
 ID 6570-08-71
 Revised Sheet 13
 November 1, 2017



PAVEMENT AT CULVERT REPLACEMENTS

CATEGORY 0010

LOCATION	APPROX. SERVICE PERIOD DAYS	643.0300 TRAFFIC CONTROL DRUMS		643.0310.S TEMPORARY PORTABLE RUMBLE STRIPS		643.0420 TRAFFIC CONTROL BARRICADES TYPE IIII		643.0705 TRAFFIC CONTROL WARNING LIGHTS TYPE A		643.0900 TRAFFIC CONTROL SIGNS		REMARKS
		NO. IN SERVICE	DAYS	LS	NO. IN SERVICE	Days	NO. IN SERVICE	Days	NO. IN SERVICE	Days	NO. IN SERVICE	
MAINLINE/SIDE ROADS	45	-	-	-	-	-	-	-	-	17	765	See SDD 15C4
BEAM GUARD REMOVAL/INSTALLATION	20	50	1,000	-	-	-	-	-	-	5	100	See SDD 15D28-3
ASPHALTIC PAVING & MILLING OPERATIONS	15	-	-	1	-	-	-	-	-	8	120	See SDD 15C12-05
DETOUR	10	-	-	-	-	50	500	50	500	39	390	See SDD 15C2, SDD 15C3 & DETOUR PLAN
CULVERT REPLACEMENTS	10	-	-	-	-	-	-	-	-	10	100	2 W08-7 SIGNS/ CULVERT REPLACEMENT
UNDI STRIBUTED	10	25	250	-	-	10	100	10	100	5	50	
TOTALS			1,250	1		600	600				1,375	

NOTES
 SIGNS ASSOCIATED WITH SDD 15C2 BARRICADES AND SIGNS FOR MAINLINE CLOSURES (DETAILS A&C) : R11-3, R11-4, W020-3, W020-3C, W020-3D
 SIGNS ASSOCIATED WITH SDD 15C3 BARRICADES AND SIGNS FOR SIDEROAD CLOSURES (DETAIL 3) : R11-4, W020-1A

Addendum No. 01
 ID 6570-08-71
 Revised Sheet 44
 November 1, 2017

CATEGORY 0010

LOCATION	TRAFFIC CONTROL 6570-08-71
PROJECT	643.0100
TOTAL	1

CATEGORY 0010

LOCATION	TRAFFIC CONTROL DETOUR 6570-08-71
PROJECT	643.2000
TOTAL	1

Addendum No. 01
 ID 6570-08-71
 Revised Sheet 45
 November 1, 2017

3

TRAFFIC CONTROL DETOUR SIGN SUMMARY

SIGN NO.	LOCATION	SIGN CODE	SIZE W X H	NUMBER IN SERVICE	APPROX. SERVICE PERIOD DAYS	643. 3000 DETOUR SIGNS DAYS	643. 0420 BARRICADES TYPE III	643. 0705 WARNING LIGHTS TYPE A	643. 1050 SIGNS PORTABLE CHANGEABLE MESSAGE DAYS	NO OF CYCLES	643. 0920 COVERING SIGNS TYPE II	REMARKS
1	STH 55, PLACE JUST NORTH OF DEPOT ST INTERSECTION	MO 20-2A	48"X48"	1	10	10						
2	STH 55, PLACE JUST SOUTH OF ROBBINS ST INTERSECTION	MO 4-8	24"X12"	1	10	10						
	"	M 3-1	24"X12"	1	10	10						
	"	M 1-6	24"X24"	1	10	10						55
3	STH 55, PLACE 50' SOUTH OF CTH G INTERSECTION	MO 5-1L	21"X21"	1	10	10						
	"	MO 4-8	24"X12"	1	10	10						55
	"	M 3-1	24"X12"	1	10	10						55
	"	M 1-6	24"X24"	1	10	10						LEFT
	"	MO 6-1	21"X21"	1	10	10						1/2 MILE AHEAD
4	CTH G, AT STH 55 INTERSECTION, MODIFY EXISTING J13-1 SIGN AS SHOWN	MO 6-6	21"X21"	1	10	10						
5	STH 55, PLACE IN SHOULDER/PARKING LANE AT CTH G INTERSECTION ON NORTH LEG	R 11-3	60"X30"	1	10	10	15	30			1	COVER ENTIRE SIGN
	"	MO 4-9L	30"X24"	1	10	10						
6	STH 55, N. OF CTH G INTERSECTION, COVER EXISTING M1-6 SIGN	MO 6-6	21"X21"	1	10	10						
7	CTH G, AT STH 55 INTERSECTION, MODIFY EXISTING J13-1 SIGN AS SHOWN	MO 4-8	24"X12"	1	10	10						
8	CTH G, PLACE 100' W. OF STH 55 INTERSECTION	M 3-1	24"X12"	1	10	10						
	"	M 1-6	24"X24"	1	10	10						55
9	CTH G, PLACE ON EXISTING J1-1 SIGN AS SHOWN	M 4-8A	24"X18"	1	10	10						
10	CTH G, PLACE 100' E. OF FRENCH RD INTERSECTION	MO 4-8	24"X12"	1	10	10						
	"	M 3-3	24"X12"	1	10	10						55
	"	M 1-6	24"X24"	1	10	10						
11	CTH G, PLACE 100' W. OF FRENCH RD INTERSECTION	MO 4-8	24"X12"	1	10	10						
	"	M 3-3	24"X12"	1	10	10						55
	"	M 1-6	24"X24"	1	10	10						
12	CTH G, PLACE 100' E. OF MILLER RD INTERSECTION	MO 4-8	24"X12"	1	10	10						
	"	M 3-3	24"X12"	1	10	10						55
	"	M 1-6	24"X24"	1	10	10						
13	CTH G, PLACE 100' W. OF MILLER RD INTERSECTION	MO 4-8	24"X12"	1	10	10						
	"	M 3-1	24"X12"	1	10	10						55
	"	M 1-6	24"X24"	1	10	10						
14	CTH G, PLACE 500' E. OF STH 47 INTERSECTION	MO 4-8	24"X12"	1	10	10						
	"	M 3-1	24"X12"	1	10	10						55
	"	M 1-6	24"X24"	1	10	10						
15	CTH G, PLACE RIGHT OF EXISTING J13-1 AT STH 47 INTERSECTION	MO 5-1R	21"X21"	1	10	10						
	"	MO 4-8	24"X12"	1	10	10						
	"	M 3-1	24"X12"	1	10	10						55
	"	M 1-6	24"X24"	1	10	10						RIGHT
16	CTH G, PLACE 100' W. OF STH 47 INTERSECTION	MO 6-1	21"X21"	1	10	10						
	"	MO 4-8	24"X12"	1	10	10						
	"	M 3-3	24"X12"	1	10	10						55
	"	M 1-6	24"X24"	1	10	10						
				40		400	15	30	0		1	
PAGE SUBTOTALS												

PLAN SHEET PRODUCED BY WISDOT - NE REGION

**FOR INFORMATIONAL PURPOSES ONLY, ADDITIONAL QUANTITIES SHOWN ELSEWHERE

PROJECT NUMBER: 6570-08-71

HWY: STH 55

COUNTY: OUTAGAMIE

MISCELLANEOUS QUANTITIES

SHEET

45

E

3

TRAFFIC CONTROL DETOUR SIGN SUMMARY

SIGN NO.	LOCATION	SIGN CODE	SIZE W X H	NUMBER IN SERVICE	APPROX. SERVICE PERIOD TO DAYS	643.3000 DETOUR SIGNS	643.0420 BARRICADES TYPE III	643.0705 WARNING LIGHTS TYPE A	643.1050 SIGNS PORTABLE MESSAGE CHANGEABLE DAYS	NO OF CYCLES	643.0920 COVERING SIGNS TYPE II	REMARKS
17	STH 47, AT CTH G INTERSECTION, PLACE RIGHT OF EXISTING J13-1 SIGN	M 4-8	24"x12"	1	10	10	0	0	0	0	0	
	"	M 3-3	24"x12"	1	10	10	0	0	0	0	0	
	"	M 1-6	24"x24"	1	10	10	0	0	0	0	0	55
	"	M 6-1	21"x21"	1	10	10	0	0	0	0	0	LEFT
18	STH 47, PLACE 100' N. OF CTH G INTERSECTION	M 4-8	24"x12"	1	10	10	0	0	0	0	0	
	"	M 3-1	24"x12"	1	10	10	0	0	0	0	0	55
	"	M 1-6	24"x24"	1	10	10	0	0	0	0	0	55
19	STH 47, PLACE 750' N. OF CTH G INTERSECTION	M 4-8	24"x12"	1	10	10	0	0	0	0	0	
	"	M 1-6	24"x24"	1	10	10	0	0	0	0	0	55
	"	M 3-3	21"x21"	1	10	10	0	0	0	0	0	
	"	M 5-1L	21"x21"	1	10	10	0	0	0	0	0	
20	STH 47, PLACE 100' S. OF CTH W INTERSECTION	M 4-8	24"x12"	1	10	10	0	0	0	0	0	
	"	M 3-3	24"x12"	1	10	10	0	0	0	0	0	55
	"	M 1-6	24"x24"	1	10	10	0	0	0	0	0	55
21	STH 47, PLACE 100' N. OF CTH W INTERSECTION	M 4-8	24"x12"	1	10	10	0	0	0	0	0	
	"	M 3-1	24"x12"	1	10	10	0	0	0	0	0	55
	"	M 1-6	24"x24"	1	10	10	0	0	0	0	0	55
22	STH 47, PLACE 750' S. OF STH 156 INTERSECTION	M 4-8	24"x12"	1	10	10	0	0	0	0	0	
	"	M 3-1	24"x12"	1	10	10	0	0	0	0	0	55
	"	M 1-6	24"x24"	1	10	10	0	0	0	0	0	55
23	STH 47, PLACE RIGHT OF EXISTING J3-2 SIGN AT STH 156 INTERSECTION	M 5-1R	21"x21"	1	10	10	0	0	0	0	0	
	"	M 4-8	24"x12"	1	10	10	0	0	0	0	0	
	"	M 3-1	24"x12"	1	10	10	0	0	0	0	0	55
	"	M 1-6	24"x24"	1	10	10	0	0	0	0	0	LEFT
24	STH 47, PLACE 100' S. OF STH 156 INTERSECTION	M 4-8	24"x12"	1	10	10	0	0	0	0	0	
	"	M 3-3	24"x12"	1	10	10	0	0	0	0	0	55
	"	M 1-6	24"x24"	1	10	10	0	0	0	0	0	55
25	STH 156, PLACE RIGHT OF EXISTING J3-3 SIGN AT STH 47 INTERSECTION	M 4-8	24"x12"	1	10	10	0	0	0	0	0	
	"	M 3-3	24"x12"	1	10	10	0	0	0	0	0	55
	"	M 1-6	24"x24"	1	10	10	0	0	0	0	0	55
26	STH 156, PLACE 100' E. OF STH 47 INTERSECTION	M 4-8	24"x12"	1	10	10	0	0	0	0	0	
	"	M 3-1	24"x12"	1	10	10	0	0	0	0	0	55
	"	M 1-6	24"x24"	1	10	10	0	0	0	0	0	55
27	STH 156, PLACE 750' E. OF STH 47 INTERSECTION	M 4-8	24"x12"	1	10	10	0	0	0	0	0	
	"	M 3-3	24"x12"	1	10	10	0	0	0	0	0	55
	"	M 1-6	24"x24"	1	10	10	0	0	0	0	0	55
28	STH 156, PLACE 100' W. OF CTH X INTERSECTION	M 4-8	24"x12"	1	10	10	0	0	0	0	0	
	"	M 3-3	24"x12"	1	10	10	0	0	0	0	0	55
	"	M 1-6	24"x24"	1	10	10	0	0	0	0	0	55
				42	0	420	0	0	0	0	0	
PAGE SUBTOTALS												

PLAN SHEET PRODUCED BY WisDOT - NE REGION
 **FOR INFORMATIONAL PURPOSES ONLY, ADDITIONAL QUANTITIES SHOWN ELSEWHERE

TRAFFIC CONTROL DETOUR SIGN SUMMARY

SIGN NO.	LOCATION	SIGN CODE	SIZE W X H	NUMBER IN SERVICE	APPROX SERVICE PERIOD DAYS	643. 3000 DETOUR SIGNS DAYS	643. 0420 BARRI CADES TYPE III	643. 0705 WARNING LIGHTS TYPE A	643. 1050 SIGNS PORTABLE MESSAGE CHANGABLE DAYS	NO OF CYCLES	643. 0920 COVERING SIGNS TYPE II	REMARKS
29	STH 156, PLACE 100' E. OF CTH X INTERSECTION	M 3-1	24" X12"	1	10	10	15	30			1	
	"	M 3-1	24" X12"	1	10	10						
	"	M 1-6	24" X24"	1	10	10						55
30	STH 55, S. OF CTH VV, COVER EXISTING J4-1 AS SHOWN									1	1	COVER "SOUTH 55"
31	CTH VV, W. OF STH 55, COVER EXISTING D1-3 AS SHOWN									1	1	COVER "ANGELICA-SEYMOUR"
32	CTH VV, W. OF STH 55, COVER EXISTING J3-2 AS SHOWN									1	1	COVER "N 55 LT-S 55 RT"
33	CTH VV, E. OF STH 55, COVER EXISTING J3-2 AS SHOWN									1	1	COVER "S 55 LT-N 55 RT"
34	STH 55, N. OF CTH VV, COVER EXISTING J4-1 AS SHOWN									1	1	COVER "NORTH 55"
35	STH 55, S. OF STH 156, COVER EXISTING J4-1 AS SHOWN									1	1	COVER "SOUTH 55"
36	STH 55, PLACE S. OF STH 156 INTERSECTION ACROSS ROADWAY	R 11-3	60" X30"	1	10	10	15	30				1 MILE AHEAD
	"	MO 4-9R	30" X24"	1	10	10						
37	STH 156, W. OF STH 55, COVER EXISTING J3-2 AS SHOWN									1	1	
38	STH 156, W. OF STH 55, MODIFY EXISTING J1-1 AS SHOWN	M 4-9A	24" X18"	1	10	10						
39	STH 156, PLACE 100' W. OF STH 55 INTERSECTION	MO 4-8	24" X12"	1	10	10						
	"	M 3-3	24" X12"	1	10	10						
	"	M 1-6	24" X24"	1	10	10						55
40	STH 55, PLACE AT STH 156 INTERSECTION TO THE RIGHT OF EXISTING J3-2	MO 4-8	24" X12"	1	10	10						
	"	M 3-3	24" X24"	1	10	10						55
	"	M 1-6	24" X24"	1	10	10						
	"	MO 6-1	21" X21"	1	10	10						55
41	STH 55, 500' N. OF STH 156 INTERSECTION	MO 4-8	24" X12"	1	10	10						RIGHT
	"	M 3-3	24" X12"	1	10	10						
	"	M 1-6	24" X24"	1	10	10						55
42	STH 55, PLACE N. OF STH 156 INTERSECTION, FIELD DETERMINE	PCMS	21" X21"	1	10	10			7			
43	STH 55, 1000' N. OF STH 156 INTERSECTION	MO 20-2A	48" X48"	1	10	10						
44	STH 55, PLACE BETWEEN DEPOT AND ROBBINS ON PARKING LANE, FIELD DETERMINE	PCMS		18		180	15	30	14		7	
	PAGE SUBTOTALS			100		1,000	30	60	14		8	
	PROJECT TOTALS											

Addendum No. 01
 ID 6570-08-71
 Revised Sheet 47
 November 1, 2017

PLAN SHEET PRODUCED

BY WisDOT - NE REGION

**FOR INFORMATIONAL PURPOSES ONLY, ADDITIONAL QUANTITIES SHOWN ELSEWHERE

PROJECT NUMBER: 6570-08-71

HWY: STH 55

COUNTY: OUTAGAMIE

MISCELLANEOUS QUANTITIES

SHEET 47

E



Proposal Schedule of Items

Proposal ID: 20171114041 Project(s): 6570-08-71

Federal ID(s): WISC 2017619

SECTION: 0001

Contract Items

Alt Set ID:

Alt Mbr ID:

Proposal Line Number	Item ID Description	Approximate Quantity and Units	Unit Price	Bid Amount
0094	634.0616 Posts Wood 4x6-Inch X 16-FT	23.000 EACH	_____.	_____.
0096	637.2210 Signs Type II Reflective H	214.670 SF	_____.	_____.
0098	637.2230 Signs Type II Reflective F	46.000 SF	_____.	_____.
0100	638.2602 Removing Signs Type II	46.000 EACH	_____.	_____.
0102	638.3000 Removing Small Sign Supports	53.000 EACH	_____.	_____.
0104	642.5401 Field Office Type D	1.000 EACH	_____.	_____.
0106	643.0100 Traffic Control (project) 01. 6570-08-71	1.000 EACH	_____.	_____.
0108	643.0300 Traffic Control Drums	1,250.000 DAY	_____.	_____.
0110	643.0310.S Temporary Portable Rumble Strips	1.000 LS	_____.	_____.
0112	643.0420 Traffic Control Barricades Type III	600.000 DAY	_____.	_____.
0114	643.0705 Traffic Control Warning Lights Type A	600.000 DAY	_____.	_____.
0116	643.0900 Traffic Control Signs	1,375.000 DAY	_____.	_____.
0118	643.0920 Traffic Control Covering Signs Type II	8.000 EACH	_____.	_____.
0120	643.1050 Traffic Control Signs PCMS	14.000 DAY	_____.	_____.
0122	643.2000 Traffic Control Detour (project) 01. 6570-08-71	1.000 EACH	_____.	_____.
0124	643.3000 Traffic Control Detour Signs	1,000.000 DAY	_____.	_____.

