



Wisconsin Department of Transportation

Division of Transportation Systems Development

Bureau of Project Development
4802 Sheboygan Avenue, Rm 601
P O Box 7916
Madison, WI 53707-7916

December 5, 2017

Telephone: (608) 266-1631
Facsimile (FAX): (608) 266-8459

NOTICE TO ALL CONTRACTORS:

Proposal #29: 8610-07-73, WISC 2018 027
Chippewa Falls - Bloomer
ONEill Cr Brg B-09-124, 125, 126, 0016
STH 124
Chippewa County

Letting of December 12, 2017

This is Addendum No. 01, which provides for the following:

Schedule of Items:

Added Bid Item Quantities					
Bid Item	Item Description	Unit	Old Quantity	Revised Quantity	Proposal Total
210.1500	Backfill Structure Type A	Ton	0	104	104
511.1200	Temporary Shoring B-9-16	SF	0	55	55

Plan Sheets:

Revised Plan Sheets	
Plan Sheet	Plan Sheet Title (brief description of changes to sheet)
98	Structure B-9-16 (Added location of Temporary Shoring)
99	Structure B-9-16 (Added pay limits for Structure Backfill Type A to details and added quantities for Structure Backfill Type A and Temporary Shoring to Total Estimated Quantities Table)

Schedule of Items

Attached, dated December 5, 2017, are the revised Schedule of Items Page 6.

Plan Sheets

The following 8½ x 11-inch sheets are attached and made part of the plans for this proposal:

Revised: 98 and 99

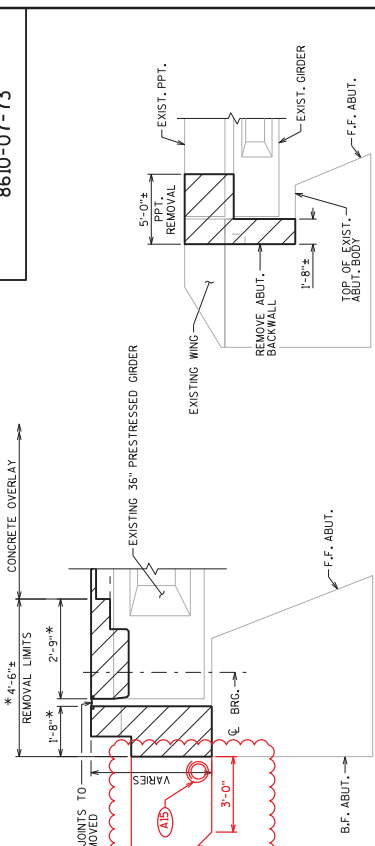
The responsibility for notifying potential subcontractors and suppliers of these changes remains with the prime contractor.

Sincerely,

Mike Coleman

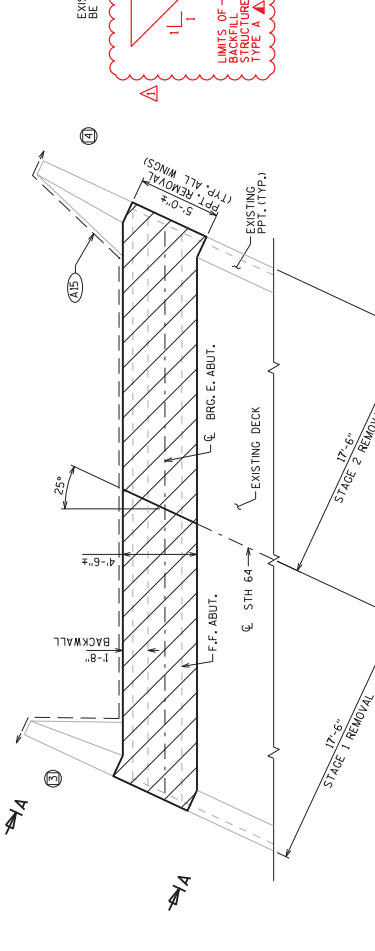
Proposal Development Specialist
Proposal Management Section

END OF ADDENDUM



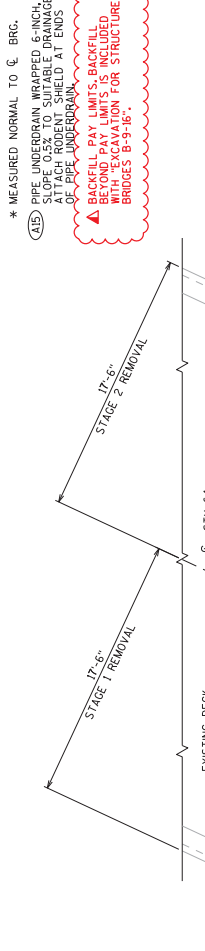
VIEW A
TYP. ALL WINGS

BACKWALL & JOINT REMOVAL SECTION
TYP. BOTH ABUTMENTS

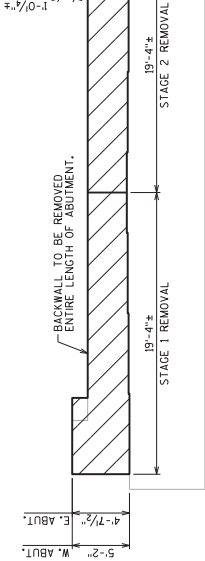


REMOVAL PLAN - EAST ABUTMENT

- ⊙ INDICATES WING NUMBER
- ⊙ INDICATES REMOVAL LIMITS
- * MEASURED NORMAL TO C. BRG.
- ⊙ PIPE UNDERDRAIN WRAPPED 6-INCH SLOPE DRAIN TO SUITABLE DRAINAGE. ATTACH RODENT SHIELD AT ENDS OF PIPE UNDERDRAIN.
- ⊙ BACKFILL PAY LIMITS, BACKFILL BEYOND PAY LIMITS IS INCLUDED BEYOND PAY LIMITS FOR STRUCTURES BRIDGES B-9-16.



REMOVAL PLAN - WEST ABUTMENT



BACKWALL REMOVAL ELEVATION
TYP. BOTH ABUTMENTS

TOTAL ESTIMATED QUANTITIES

BID ITEM NUMBER	BID ITEMS	UNIT	TOTALS
203.0600.5	REMOVING OLD STRUCTURE OVER WATERWAY WITH MINIMAL DEBRIS STA. 12+68	LS	1
206.0900	EXCAVATION FOR STRUCTURES BRIDGES B-9-16	LS	1
210.1500	BACKFILL STRUCTURE TYPE A	TON	104
505.9905	CONCRETE MASONRY BRIDGES	CY	48
502.3200	PROTECTIVE SURFACE TREATMENT	SY	222
502.3210	PIGMENTED SURFACE SEALER	SY	8
502.4205	ADHESIVE ANCHORS NO. 5 BAR	EACH	24
505.0600	BAR STEEL REINFORCEMENT HS COATED STRUCTURES	LB	3,740
505.0906	BAR COUPLERS NO. 6	EACH	16
506.2605	BEARING PADS ELASTOMERIC NON-LAMINATED	EACH	7
506.7050.5	REMOVING BEARINGS B-9-16	EACH	7
509.0500	CLEANING DECKS	SY	222
509.2500	CONCRETE MASONRY OVERLAP DECKS	CY	13
511200	TEMPORARY SHORING B-9-16	SF	55
516.9905	REINFORCED MEMBRANE WATERPROOFING	SY	15
612.0406	PIPE UNDERDRAIN WRAPPED 6-INCH	LF	150

William C. Decker 12/14/17

11/17	ADDED BID ITEMS	MWB
NO. DATE	REVISION	BY
STATE OF WISCONSIN DEPARTMENT OF TRANSPORTATION STRUCTURES DESIGN SECTION		
STRUCTURE B-9-16		
BRN	MB	DMB
BY	BY	BY
REMOVAL LIMITS & QUANTITIES		
SHEET 2		
99		

Addendum No. 01
ID 8610-07-73
Revised Sheet 99
December 5, 2017



Proposal Schedule of Items

Proposal ID: 20171212029 Project(s): 8610-07-73

Federal ID(s): WISC 2018027

SECTION: 0001

Contract Items

Alt Set ID:

Alt Mbr ID:

Proposal Line Number	Item ID Description	Approximate Quantity and Units	Unit Price	Bid Amount
0158	715.0502 Incentive Strength Concrete Structures	2,164.000 DOL	1.00000	2,164.00
0160	ASP.1T0A On-the-Job Training Apprentice at \$5.00/HR	300.000 HRS	5.00000	1,500.00
0162	ASP.1T0G On-the-Job Training Graduate at \$5.00/HR	1,200.000 HRS	5.00000	6,000.00
0164	210.1500 Backfill Structure Type A	104.000 TON	_____.	_____.
0166	511.1200 Temporary Shoring (structure) 01. B-9-16	55.000 SF	_____.	_____.
Section: 0001			Total:	_____.
			Total Bid:	_____.

