



Wisconsin Department of Transportation

May 24, 2018

Division of Transportation Systems Development
Bureau of Project Development
4822 Madison Yards Way, 4th Floor South
Madison, WI 53705

Telephone: (608) 266-1631
Facsimile (FAX): (608) 266-8459

NOTICE TO ALL CONTRACTORS:

Proposal #09: 6030-01-62, WISC 2018173
STH 60 - Montello
USH 51 to STH 16
STH 22
Columbia County

Letting of June 12, 2018

This is Addendum No. 02, which provides for the following:

Plan Sheets:

| Revised Plan Sheets | |
|---------------------|--|
| Plan Sheet | Plan Sheet Title (brief description of changes to sheet) |
| 167 | Plan (modified wetland boundary between STA 410+50 and 411+00 to come all the way up to the end of the existing culvert) |
| 169 | Plan (extended wetland boundary back to STA 458+50) |
| 355 | Cross Sections (Wetland mark was pulled in closer to the roadway based on wetland boundary modifications) |
| 368 | Cross Sections (Wetland mark was added based on extension of wetland boundary) |
| 369 | Cross Sections (Wetland mark was added based on extension of wetland boundary) |
| 370 | Cross Sections (Wetland mark was added based on extension of wetland boundary) |

Plan Sheets

The following 8½ x 11-inch sheets are attached and made part of the plans for this proposal:
Revised: 167, 169, 355, 368, 369, 370

The responsibility for notifying potential subcontractors and suppliers of these changes remains with the prime contractor.

Sincerely,

Mike Coleman

Proposal Development Specialist
Proposal Management Section

END OF ADDENDUM

Addendum No. 2
 ID 6030-01-62
 Revised Sheet 167
 May 24, 2018



5

5

PI STA. 391+80.03
 Y = 353,532.13
 X = 572,568.31
 AH = N07°46'32"W

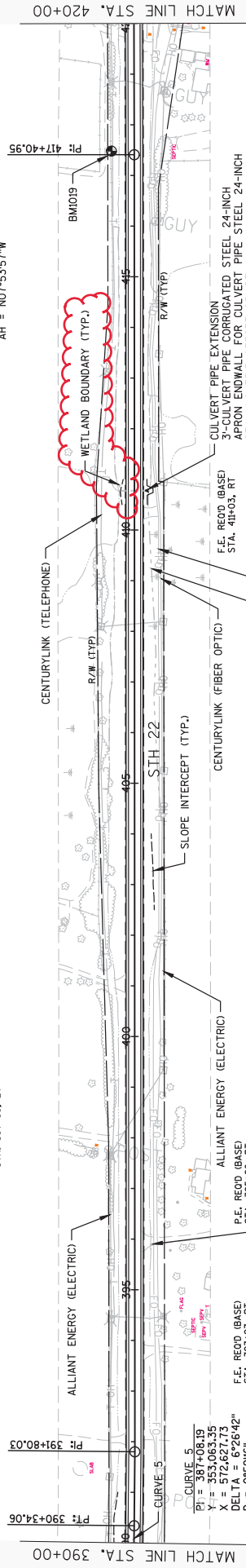
F.E. REOD (BASE)
 STA. 392+06, LT

P.E. REOD (BASE)
 STA. 397+99, LT

P.E. REOD (BASE)
 STA. 401+03, LT

P.E. REOD (BASE)
 STA. 417+15, LT

PI STA. 417+40.95
 Y = 356,058.50
 X = 572,568.31
 AH = N07°53'57"W



CURVE 5
 PI = 387+08.10
 Y = 352,627.73
 X = 572,627.73
 DELTA = 6°28'42"
 D = 0°59'56"
 T = 326.56'
 L = 652.42'
 R = 5,800.00'
 P.C. = 383+81.64
 Y = 352,736.82
 X = 572,652.16
 L.T. = 383+397.4106
 X = 572,586.67
 X = 572,586.67
 BK = N00°46'41"W
 SE = N07°13'23"W
 SE = MATCH EXISTING
 2.4% S.E. AND S.E.
 TRANSITION RATES

DRIVEWAY CULVERT PIPE EXTENSION
 REMOVING MASONRY REOD
 6" CULVERT PIPE CORRUGATED STEEL 18-INCH (3' EACH END)
 2" PIPER WALLS FOR CULVERT PIPE STEEL 18-INCH
 INVERTS TO MATCH EXISTING DITCH ELEVATIONS

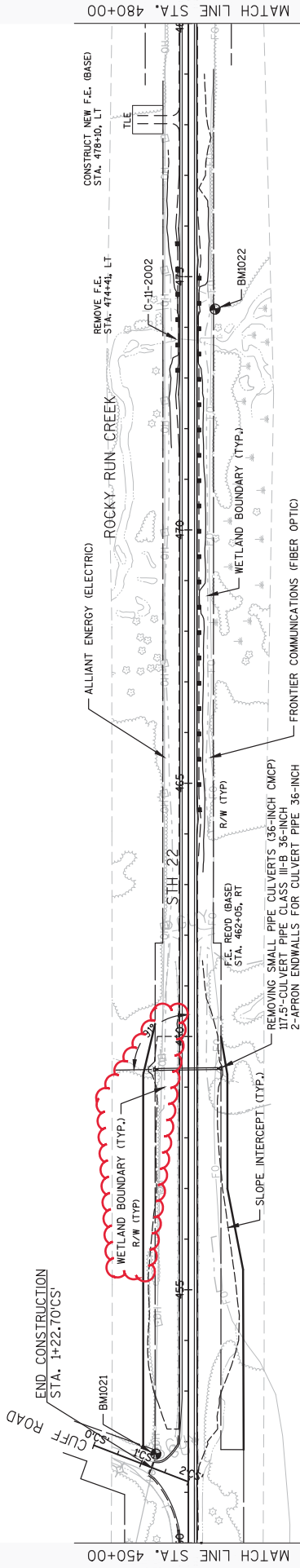
CULVERT PIPE EXTENSION
 3" CULVERT PIPE CORRUGATED STEEL 24-INCH
 2" PIPER WALLS FOR CULVERT PIPE STEEL 24-INCH
 STA. 404+77.2 OFFSET 25' RT
 INVERT ELEVATION 889.33

AN ENVIRONMENTALLY SENSITIVE AREA IS GENERALLY LOCATED BETWEEN STA. 406+00 AND STA. 414+00 WITHIN THE ENTIRE RIGHT-OF-WAY LIMITS. STATION RT. SEE SPECIAL PROVISIONS FOR ADDITIONAL INFORMATION.

| BENCHMARK DATA TABLE | | | |
|----------------------|----------|----------|---|
| POINT NUMBER | STATION | OFFSET | ELEVATION |
| BM1019 | 417+48.2 | 45.2' LT | 899.42 |
| | | | MAG NAIL IN E. SIDE OF TWIN 14" WALNUT TREE |



Addendum No. 2
 ID 6030-01-62
 Revised Sheet 169
 May 24, 2018

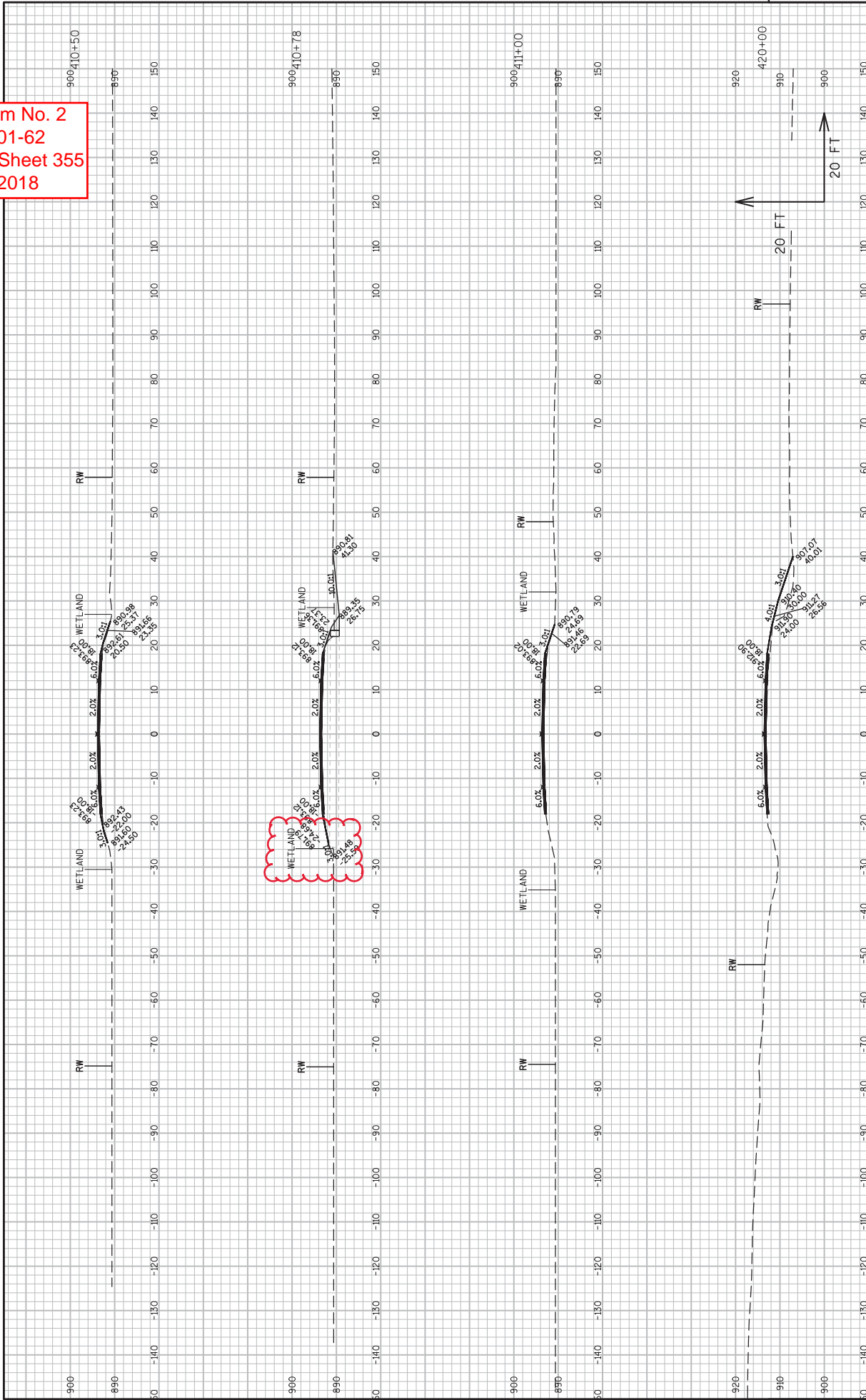


AN ENVIRONMENTALLY SENSITIVE AREA IS GENERALLY LOCATED BETWEEN STA. 475+00 AND STA. 483+00 WITHIN THE ENTIRE RIGHT-OF-WAY LIMITS. STATION RT AND LT. SEE SPECIAL PROVISIONS FOR ADDITIONAL INFORMATION.

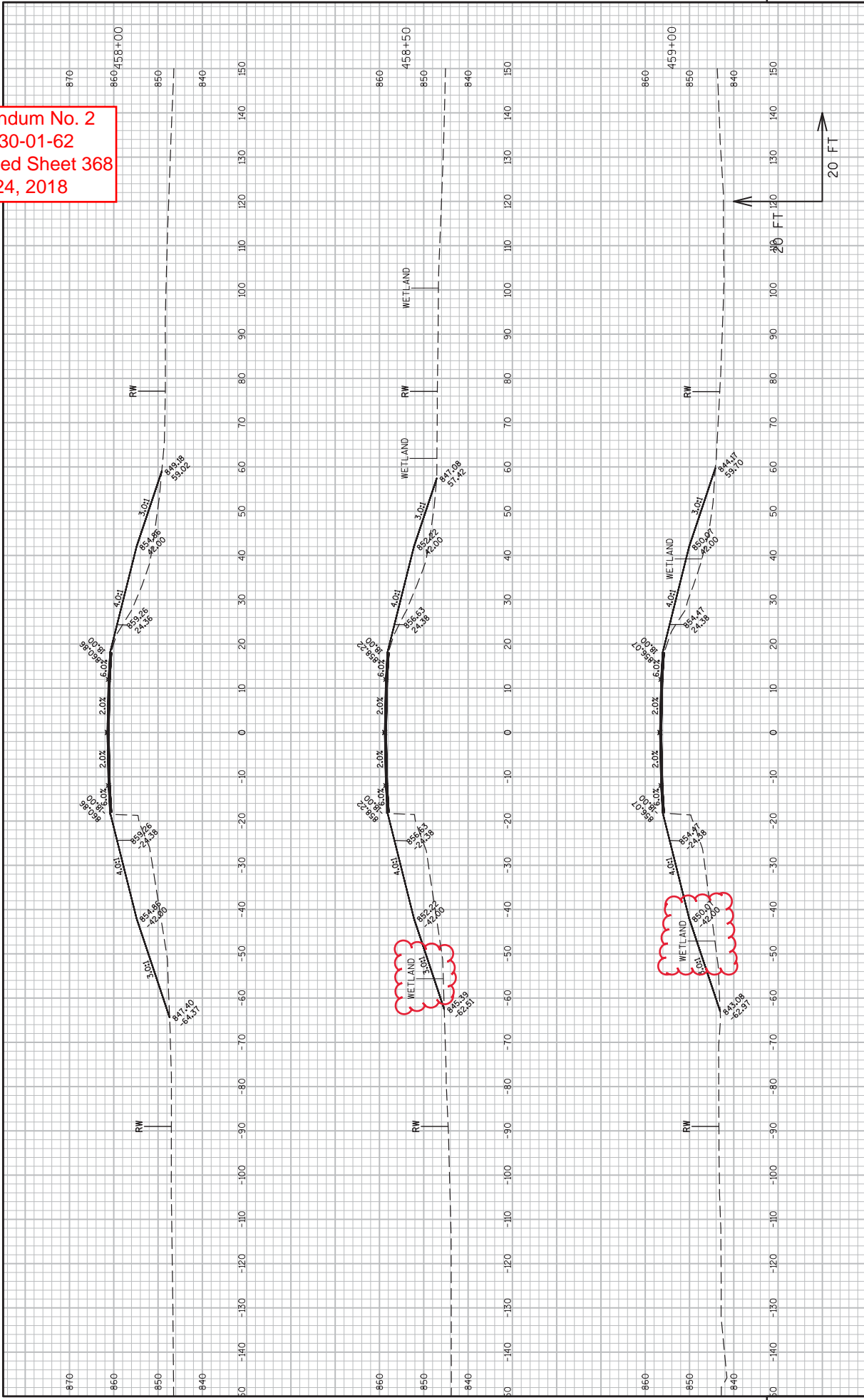
● BENCHMARK DATA TABLE

| POINT NUMBER | STATION | OFFSET | DESCRIPTION | ELEVATION |
|--------------|----------|----------|--|-----------|
| BM1021 | 451+75.6 | 64.0' LT | MAG NAIL IN PP AT NW QUAD OF CUFF & 22 | 898.10 |
| BM1022 | 474+36.0 | 52.9' RT | RR SPIKE IN 12" ELM TREE | 838.48 |

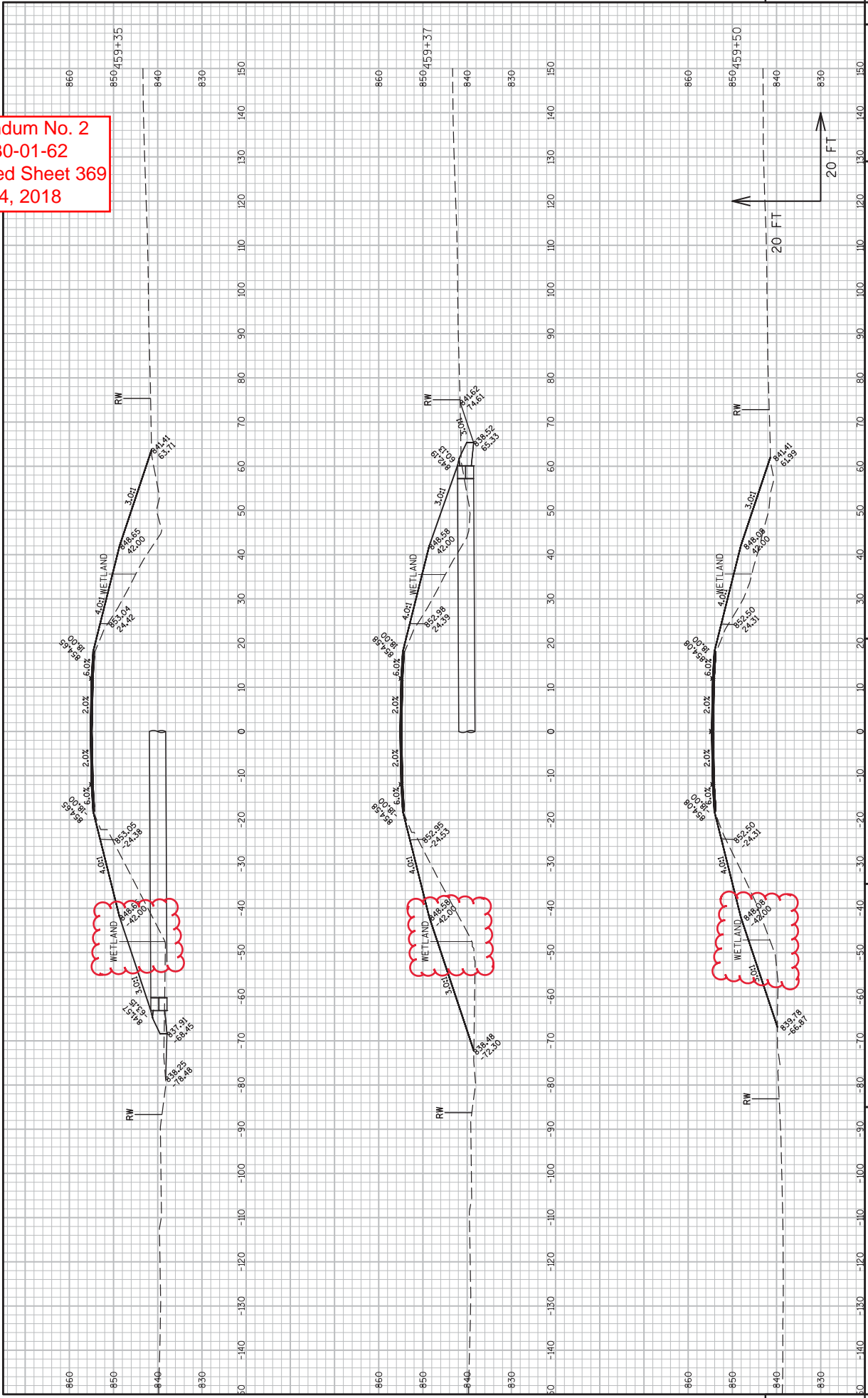
Addendum No. 2
 ID 6030-01-62
 Revised Sheet 355
 May 24, 2018



Addendum No. 2
 ID 6030-01-62
 Revised Sheet 368
 May 24, 2018



Addendum No. 2
 ID 6030-01-62
 Revised Sheet 369
 May 24, 2018



Addendum No. 2
 ID 6030-01-62
 Revised Sheet 370
 May 24, 2018

