



# Wisconsin Department of Transportation

September 7, 2018

**Division of Transportation Systems Development**  
 Bureau of Project Development  
 4822 Madison Yards Way, 4<sup>th</sup> Floor South  
 Madison, WI 53705

Telephone: (608) 266-1631  
 Facsimile (FAX): (608) 266-8459

## NOTICE TO ALL CONTRACTORS:

**Proposal # 01: 1071-02-71, WISC 2018 371**  
**Sparta – Tomah**  
**CTH M Bridges B-41-0293 & 0294**  
**IH-90**  
**Monroe County**

**1077-02-73, WISC 2018 372**  
**Sparta – Tomah**  
**STH 16 to CTH M/B-41-112,93,105**  
**IH-90**  
**Monroe County**

## Letting of September 11, 2018

This is Addendum No. 01, which provides for the following:

### Special Provisions:

Revised Special Provisions	
Article No.	Description
4	Traffic

Added Special Provisions	
Article No.	Description
42	Temporary Traffic Signals for Bridges (B-41-112)

### Schedule of Items:

Revised Bid Item Quantities					
Bid Item	Item Description	Unit	Old Quantity	Revised Quantity	Proposal Total
603.8000	Concrete Barrier Temporary Precast Delivered	LF	1,840	1,288	3,128
603.8125	Concrete Barrier Temporary Precast Installed	LF	1,840	2,576	4,416
643.0300	Traffic Control Drums	DAY	47,664	360	48,024
643.0420	Traffic Control Barricades Type III	DAY	6,705	20	6,725
643.0715	Traffic Control Warning Lights Type C	DAY	8,575	240	8,815
643.0900	Traffic Control Signs	DAY	18,639	520	19,159
646.1020	Marking Line Epoxy 4-Inch	LF	298,795	3,975	302,770
646.9000	Marking Removal Line 4-Inch	LF	18,120	400	18,520
649.0105	Temporary Marking Line Paint 4-Inch	LF	357,662	1,400	359,062
649.0150	Temporary Marking Removable Tape 4-Inch	LF	11,670	5,800	17,470

<b>Added Bid Item Quantities</b>					
Bid Item	Item Description	Unit	Old Quantity	Revised Quantity	Proposal Total
649.0850	Temporary Marking Stop Line Removable Tape 18-Inch	LF	0	60	60
661.0100	Temporary Traffic Signal For Bridges (B-41-112)	LS	0	1	1

**Plan Sheets:**

<b>Revised Plan Sheets</b>	
Plan Sheet	Plan Sheet Title (brief description of changes to sheet)
70	Misc. Quantities: Concrete Barrier Temporary Precast Delivered and Concrete Barrier Temporary Precast Installed increased in quantity and an additional location added.
73	Misc. Quantities: Traffic Control Drums, Barricades Type III, Warning Lights Type C and Signs increased in quantity and an additional location added.
74	Misc. Quantities: Marking Line Epoxy 4-Inch, Marking Removal Line 4-Inch, Temporary Marking Line Removable Tape 4-Inch increased in quantity and an additional location added.
75	Misc. Quantities: Temporary Marking Stop Line Removable Tape 18-Inch and Temporary Traffic Signal for Bridges (B-41-112) added to the sheet.

<b>Added Plan Sheets</b>	
Plan Sheet	Plan Sheet Title (brief description of why sheet was added)
30A	A construction detail showing the location of stop lines, barrier and signing for work on STH 16.
131A-C	SDD: Bridge Temporary Traffic Signal Installation

The responsibility for notifying potential subcontractors and suppliers of these changes remains with the prime contractor.

Sincerely,

*Mike Coleman*

Proposal Development Specialist  
Proposal Management Section

**ADDENDUM NO. 01**

**1077-02-73**

**September 7, 2018**

**Special Provisions**

**4. Traffic.**

*Insert the following paragraph after paragraph six:*

For rehabilitation of structure B-41-112 utilize a one lane road using temporary signals for STH 16 traffic. Maintain an open lane of traffic utilizing temporary signals at all times.

**42. Temporary Traffic Signals for Bridges (B-41-112)**

The following timing plan is required as a part of the installation. Timing is based on pre-timed operation. Signal timing subject to change at pre-construction conference depending on the type of temporary signal that the contractor plans to use.

<b>SIGNAL SEQUENCE</b>			
<b>INTERVAL</b>	<b>NB/EB</b>	<b>SB/WB</b>	<b>Seconds</b>
1	G	R	22
2	Y	R	5.6
3	R	R	21
4	R	G	22
5	R	Y	5.6
6	R	R	21

Cycle length = 97.2

Any changes to the timing plan need to be approved by the Regional Traffic Engineer prior to be implemented in the field.

Contact Jeff Vollmar at least 3 business days prior to turning on temporary signals at 608-789-5542

**Schedule of Items**

Attached, dated September 7, 2018 are the revised Schedule of Items Pages 6, 10, 11, and 13.

**Plan Sheets**

The following 8½ x 11-inch sheets are attached and made part of the plans for this proposal:

Revised: 70, 73,74 and 75.

Added: 30A and 131A-C

END OF ADDENDUM



TEMPORARY EMERGENCY PULLOUTS

CAT.	STATION TO	STATION	LOCATION	205. 3000. S EACH	FILL CY	FILL (1.25) CY	EXCAVATION COMMON CY	SALVAGED TOPSOIL SY	FERTILIZER TYPE B CWT	SEEDING MIX NO. 30 LB	SEEDING TEMPORARY LB	EROSION MAT CLASS 1 TYPE A SY	BASE AGGREGATE DENSE 1 1/4-INCH TON
0010	1631+00	- 1633+00	EB MEDIAN	1	-	-	-	104	0.1	4	6	104	29
0010	1657+25	- 1659+50	EB MEDIAN	1	-	-	-	72	0.1	4	6	72	32
0010	1683+75	- 1686+00	EB MEDIAN	1	-	-	-	74	0.1	4	6	74	29
0010	1710+25	- 1720+50	EB MEDIAN	1	-	-	-	93	0.1	4	6	93	42
0010	1736+75	- 1739+00	EB MEDIAN	1	-	-	-	61	0.1	3	5	61	23
0010	1763+25	- 1765+50	EB MEDIAN	1	-	-	-	95	0.1	4	6	95	38
0010	1789+75	- 1792+00	EB MEDIAN	1	-	-	-	124	0.2	5	7	124	65
0010	1816+25	- 1818+50	EB MEDIAN	1	-	-	-	139	0.2	5	7	139	73
0010	1842+75	- 1845+00	EB MEDIAN	1	-	-	-	157	0.2	5	7	157	88
0010	1869+25	- 1871+50	EB MEDIAN	1	-	-	-	92	0.1	4	6	92	42
0010	1888+75	- 1891+00	EB MEDIAN	1	-	-	-	72	0.1	4	6	72	28
0010	1922+25	- 1924+50	EB MEDIAN	1	-	-	-	117	0.2	4	6	117	33
0010	1950+75	- 1953+00	EB MEDIAN	1	-	-	-	143	0.2	5	7	143	53
0010	1975+25	- 1977+50	EB MEDIAN	1	-	-	-	226	0.2	6	9	226	84
0010	2001+75	- 2004+00	EB MEDIAN	1	-	-	-	81	0.1	4	6	81	60
0010	2039+75	- 2042+00	EB MEDIAN	1	-	-	-	101	0.1	4	6	101	33
0010	2054+75	- 2057+00	EB MEDIAN	1	-	-	-	136	0.2	5	7	136	43
0010	2081+25	- 2083+50	EB MEDIAN	1	-	-	-	75	0.1	3	5	75	32
TOTAL 0010				18				1962	2.5	77	114	1962	827

\* ITEMS AND QUANTITIES FOR INFORMATION ONLY.

BARRIER SUMMARY

CAT.	STATION TO	STATION	LOCATION	LF	LF	EACH	BACK WIDTH (FT)	SI GN PLATE	CRASH TEST LEVEL	TRAFFIC DI RECTION	REMARKS	
603. 8000												
CONCRETE												
BARRIER												
TEMPORARY												
PRECAST												
DELIVERED												
603. 8125												
CONCRETE												
BARRIER												
TEMPORARY												
PRECAST												
INSTALLED												
614. 0905												
CRASH												
CUSHIONS												
TEMPORARY												
0010	1599+43A	- 1603+93A	IH 90 WB	400	400	1	2	W05-58L	TL-3	BI -DI RECTI ONAL	STAGE 1	
0010	2182+03A	- 2187+73A	IH 90 WB	520	520	1	2	W05-58L	TL-3	BI -DI RECTI ONAL	STAGE 1	
0010	1597+51	- 1603+21	IH 90 EB	520	520	1	2	W05-58R	TL-3	BI -DI RECTI ONAL	STAGE 2	
0010	2181+52	- 2186+02	IH 90 EB	400	400	1	2	W05-58R	TL-3	BI -DI RECTI ONAL	STAGE 2	
0010			STH 16	1288	1288	-	2	W05-58R	TL-3	SINGLE LANE	STAGE 2	
0010			STH 16	-	1288	-	2	W05-58R	TL-3	SINGLE LANE	STAGE 2	
TOTAL 0010				3128	4416	4						

Addendum No. 01  
 ID 1077-02-73  
 Revised Sheet 70  
 September 7, 2018

PROJECT NO: 1077-02-73      HWY: IH 90      COUNTY: MONROE      SHEET NO: 70      E

FILE NAME: \_\_\_\_\_      PLOT BY: \_\_\_\_\_      PLOT NAME: \_\_\_\_\_      ORG DATE: \_\_\_\_\_      ORIGINATOR: DIST \_\_\_\_\_

PLOT SCALE: 1:1



Addendum No. 01  
 ID 1077-02-73  
 Revised Sheet 74  
 September 7, 2018

PAVEMENT MARKINGS SUMMARY

CAT.	STATION	TO	STATION	LOCATION	646. 1020 MARKING LINE EPOXY 4-1 INCH		646. 3020 MARKING LINE EPOXY 8-1 INCH		646. 9000 MARKING LINE PAINT 4-1 INCH		649. 0105 TEMPORARY MARKING LINE REMOVABLE TAPE 4-1 INCH		649. 0150 TEMPORARY MARKING LINE REMOVABLE TAPE 4-1 INCH		649. 0250 TEMPORARY MARKING LINE REMOVABLE TAPE 8-1 INCH		649. 0760 TEMPORARY MARKING LINE REMOVABLE TAPE 8-1 INCH		REMARKS	
					LF	LF	LF	LF	LF	LF	LF	LF	LF	LF	LF	LF	LF	LF		LF
<b>STAGE 1</b>																				
0010	1571+88	-	1580+88	EB LT	900	900	840	840	840	840	840	840	840	840	840	840	840	840	YELLOW	
0010	1605+00	-	2104+00	EB RT	49900	49900	-	-	-	-	-	-	-	-	-	-	-	-	WHITE	
0010	2168+00	-	2177+00	EB LT	900	900	840	840	840	840	840	840	840	840	840	840	840	840	YELLOW	
0010	2195+73A	-	2204+73A	EB RT	900	900	840	840	840	840	840	840	840	840	840	840	840	840	YELLOW	
0010	1588+50	-	1596+00	EB LT	750	750	-	-	-	-	-	-	-	-	-	-	-	-	YELLOW	
0010	2186+00	-	2192+50	EB LT	650	650	-	-	-	-	-	-	-	-	-	-	-	-	YELLOW	
0010	1601+50A	-	1609+00A	WB RT	750	750	-	-	-	-	-	-	-	-	-	-	-	-	YELLOW	
0010	1603+93A	-	2182+53A	WB LT	-	-	115720	115720	57860	57860	57860	57860	57860	57860	57860	57860	57860	57860	DOUBLE YELLOW	
0010	1599+43A	-	1603+93A	WEST X-OVER (BARRIER)	-	-	450	450	-	-	-	-	-	-	-	-	-	-	YELLOW	
0010	2182+53A	-	2187+03A	EAST X-OVER (BARRIER)	-	-	450	450	-	-	-	-	-	-	-	-	-	-	YELLOW	
0010	2187+03A	-	2190+03A	EAST X-OVER (BARRIER)	-	-	300	300	-	-	-	-	-	-	-	-	-	-	YELLOW	
0010	2178+03A	-	2189+03A	WB LT	1100	1100	-	-	-	-	-	-	-	-	-	-	-	-	YELLOW	
0010	2195+73A	-	2202+83A	WB LT	710	710	-	-	-	-	-	-	-	-	-	-	-	-	YELLOW	
0010	10+00S	-	24+00S	CROSSOVER-LT	-	-	1400	1400	-	-	-	-	-	-	-	-	-	-	WHITE	
0010	10+00S	-	24+00S	CROSSOVER-RT	-	-	1400	1400	-	-	-	-	-	-	-	-	-	-	WHITE	
0010	04+00X	-	05+75X	CROSSOVER-LT	-	-	175	175	-	-	-	-	-	-	-	-	-	-	YELLOW	
0010	05+75X	-	14+85X	CROSSOVER-LT	-	-	910	910	-	-	-	-	-	-	-	-	-	-	YELLOW	
0010	04+00X	-	09+25X	CROSSOVER-RT	-	-	525	525	-	-	-	-	-	-	-	-	-	-	WHITE	
0010	09+25X	-	14+85X	CROSSOVER-RT	-	-	560	560	-	-	-	-	-	-	-	-	-	-	WHITE	
<b>STAGE 2</b>																				
0010	1580+51	-	1589+51	EB MEDIAN LANE	900	900	840	840	840	840	840	840	840	840	840	840	840	840	YELLOW	
0010	1605+00	-	2104+00	EB MEDIAN LANE	49900	49900	-	-	-	-	-	-	-	-	-	-	-	-	YELLOW	
0010	1605+00	-	2104+00	EB CENTERLINE	49827	49827	-	-	-	-	-	-	-	-	-	-	-	-	WHITE	
0010	1606+00' A'	-	2104+27' A'	WB MEDIAN LANE	12457	12457	-	-	-	-	-	-	-	-	-	-	-	-	WHITE	
0010	1606+00' A'	-	2104+27' A'	WB OUTSIDE LANE	49827	49827	-	-	-	-	-	-	-	-	-	-	-	-	WHITE	
0010	2196+55A	-	2205+55A	WB MEDIAN LANE	900	900	840	840	840	840	840	840	840	840	840	840	840	840	WHITE	
0010	1580+01	-	1587+51	EB MEDIAN LANE	750	750	-	-	-	-	-	-	-	-	-	-	-	-	WHITE	
0010	1603+21	-	2181+52	EB CENTERLINE	-	-	115662	115662	-	-	-	-	-	-	-	-	-	-	DOUBLE YELLOW	
0010	1603+21	-	2181+52	EB EDGELINE	-	-	57831	57831	-	-	-	-	-	-	-	-	-	-	WHITE	
0010	2182+52	-	2187+02	EAST X-OVER (BARRIER)	-	-	450	450	-	-	-	-	-	-	-	-	-	-	YELLOW	
0010	1598+71	-	1603+21	WEST X-OVER (BARRIER)	-	-	450	450	-	-	-	-	-	-	-	-	-	-	YELLOW	
0010	1595+71	-	1598+71	WEST X-OVER (BARRIER)	-	-	300	300	-	-	-	-	-	-	-	-	-	-	YELLOW	
0010	1596+21	-	1607+21	EB LT	1100	1100	-	-	-	-	-	-	-	-	-	-	-	-	YELLOW	
0010	2185+52	-	2192+62	EB LT	710	710	-	-	-	-	-	-	-	-	-	-	-	-	YELLOW	
0010	1590+00A	-	1597+50A	WB RT	750	750	-	-	-	-	-	-	-	-	-	-	-	-	YELLOW	
0010	2185+56A	-	2192+06A	WB RT	650	650	-	-	-	-	-	-	-	-	-	-	-	-	YELLOW	
0010	04+00Y	-	08+50Y	CROSSOVER-LT	-	-	450	450	-	-	-	-	-	-	-	-	-	-	YELLOW	
0010	08+50Y	-	14+00Y	CROSSOVER-LT	-	-	550	550	-	-	-	-	-	-	-	-	-	-	YELLOW	
0010	4+00Y	-	5+75Y	CROSSOVER-RT	-	-	175	175	-	-	-	-	-	-	-	-	-	-	WHITE	
0010	05+75Y	-	14+00Y	CROSSOVER-RT	-	-	825	825	-	-	-	-	-	-	-	-	-	-	WHITE	
0010	20+00T	-	34+27T	CROSSOVER-LT	-	-	1427	1427	-	-	-	-	-	-	-	-	-	-	YELLOW	
0010	32+52T	-	34+27T	CROSSOVER-RT	-	-	175	175	-	-	-	-	-	-	-	-	-	-	WHITE	
0010	20+00T	-	32+52T	CROSSOVER-RT	-	-	1252	1252	-	-	-	-	-	-	-	-	-	-	YELLOW	
0010	-	-	-	STH 16	400	400	2900	2900	-	-	-	-	-	-	-	-	-	-	LANE CLOSURE	
0010	-	-	-	STH 16	3975	3975	2900	2900	-	-	-	-	-	-	-	-	-	-	LANE CLOSURE	
<b>STAGE 3</b>																				
0010	1533+94	-	1542+94	EB LT	900	900	840	840	840	840	840	840	840	840	840	840	840	840	840	WHITE
0010	1547+19	-	1558+69	EB ENTRANCE RAMP	4606	4606	-	-	-	-	-	-	-	-	-	-	-	-	-	YELLOW
0010	1558+94	-	1605+00	EB LT	132	132	-	-	-	-	-	-	-	-	-	-	-	-	-	YELLOW
0010	1560+12A	-	1606+00A	WB RT	4588	4588	-	-	-	-	-	-	-	-	-	-	-	-	-	YELLOW
0010	1560+12A	-	1606+00A	WB CENTERLINE	1147	1147	-	-	-	-	-	-	-	-	-	-	-	-	-	YELLOW
0010	1614+35A	-	1623+35A	WB RT	900	900	840	840	840	840	840	840	840	840	840	840	840	840	840	YELLOW
<b>STAGE 4</b>																				
0010	1533+94	-	1542+94	EB LT	900	900	840	840	840	840	840	840	840	840	840	840	840	840	840	YELLOW
0010	1547+19	-	1558+69	EB ENTRANCE RAMP	4606	4606	-	-	-	-	-	-	-	-	-	-	-	-	-	WHITE
0010	1558+94	-	1605+00	EB RT	4588	4588	-	-	-	-	-	-	-	-	-	-	-	-	-	YELLOW
0010	1560+12A	-	1606+00A	WB LT	900	900	840	840	840	840	840	840	840	840	840	840	840	840	840	YELLOW
0010	1614+35A	-	1623+35A	WB CENTERLINE	900	900	840	840	840	840	840	840	840	840	840	840	840	840	840	YELLOW
TOTAL					0010	265968	800	18520	359062	17470	400	361	400	361	400	361	400	361	400	361

PROJECT NO: 1077-02-73      COUNTY: MONROE      HWY: IH 90      SHEET NO: 74      E

FILE NAME: \_\_\_\_\_      PLOT BY: \_\_\_\_\_      PLOT NAME: \_\_\_\_\_      ORG DATE: \_\_\_\_\_      ORIGINATOR: DIST \_\_\_\_\_      PLOT SCALE: 1:11

**REMOVING TEMPORARY EMERGENCY PULLOUTS**

CAT	STATION	TO	STATION	LOCATION	SPV .0060.03	EACH	REMARKS
0010	1631+00' A'	-	1633+25' A'	WB MEDIAN		1	
0010	1657+00' A'	-	1659+25' A'	WB MEDIAN		1	
0010	1684+00' A'	-	1686+25' A'	WB MEDIAN		1	
0010	1710+00' A'	-	1712+25' A'	WB MEDIAN		1	
0010	1736+50' A'	-	1738+75' A'	WB MEDIAN		1	
0010	1763+00' A'	-	1765+25' A'	WB MEDIAN		1	
0010	1790+00' A'	-	1792+25' A'	WB MEDIAN		1	
0010	1816+00' A'	-	1818+25' A'	WB MEDIAN		1	
0010	1842+50' A'	-	1844+75' A'	WB MEDIAN		1	
0010	1867+50' A'	-	1869+75' A'	WB MEDIAN		1	
0010	1888+00' A'	-	1890+25' A'	WB MEDIAN		1	
0010	1921+50' A'	-	1923+75' A'	WB MEDIAN		1	
0010	1951+00' A'	-	1953+25' A'	WB MEDIAN		1	
0010	1974+00' A'	-	1976+25' A'	WB MEDIAN		1	
0010	2001+00' A'	-	2003+25' A'	WB MEDIAN		1	
0010	2020+00' A'	-	2022+25' A'	WB MEDIAN		1	
0010	2054+00' A'	-	2056+25' A'	WB MEDIAN		1	
0010	2080+00' A'	-	2082+25' A'	WB MEDIAN		1	
						TOTAL	0010 18

TRAFFIC CONTROL SIGNS FIXED MESSAGE

CAT.	LOCATION	643.1000	REMARKS
0010	EXIT 28	SF	
0010	EXIT 41		36
TOTAL 0010			72

TEMPORARY MARKING STOP LINE REMOVABLE TAPE 18-1 INCH

CATEGORY	LOCATION	LF	REMARKS
0010	STH 16	30	
0010	STH 16	30	
TOTAL 0010		60	

TEMPORARY TRAFFIC SIGNAL FOR BRIDGES (B-41-112)

CATEGORY	LOCATION	LS	REMARKS
0010	STH 16	1	
TOTAL 0010		1	

Addendum No. 01  
 ID 1077-02-73  
 Revised Sheet 75  
 September 7, 2018

PROJECT NO: 1077-02-73

HWY: IH 90

COUNTY: MONROE

MISCELLANEOUS QUANTITIES

SHEET NO: 75

E

FILE NAME:

PLOT BY:

PLOT NAME:

ORG DATE:

ORIGINATOR: DIST

PLOT SCALE: 1:1



**GENERAL NOTES**

DETAILS OF CONSTRUCTION MATERIALS AND WORKMANSHIP NOT SHOWN ON THIS DRAWING SHALL CONFORM TO THE PERTINENT REQUIREMENTS OF THE CONTRACT.

POLE MOUNTED TRAFFIC SIGNAL CONTROL CABINET MAYBE MOUNTED ON THE SERVICE POLE IF THE ELECTRICAL UTILITY ALLOWS THE INSTALLATION.

WHEN UTILITY POLES ARE USED TO SPAN THE TEMPORARY OVERHEAD CABLE, WRITTEN PERMISSION MUST BE OBTAINED FROM THE OWNER OF THE POLES AND GIVEN TO THE PROJECT MANAGER. ALL PERTINENT UTILITY AND CODE CLEARANCES SHALL BE MAINTAINED.

WOOD POLES (NONBREAKAWAY) SHALL BE NO CLOSER TO EDGE OF PAVEMENT THAN OFFSET DISTANCE CHART ALLOWS OR 4 FEET BEHIND PROTECTIVE BARRIER (BEAM GUARD, ETC.).

WOOD POSTS (BREAKAWAY) SHALL BE NO CLOSER THAN 2 FEET OUTSIDE OF SHOULDER.

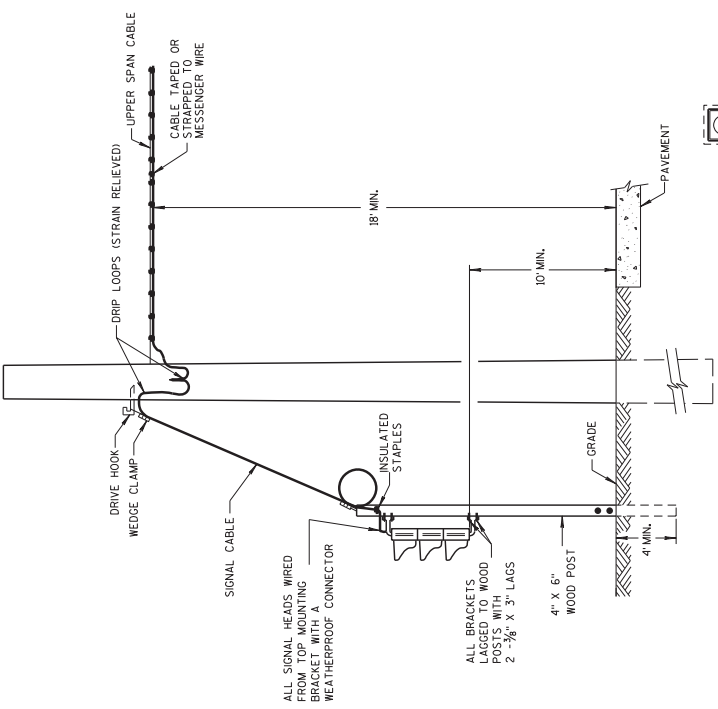
VERTICAL CLEARANCE ETC. PER NEC.

TRAFFIC SIGNAL FACES SHALL BE TYPICALLY PLACED 12 FEET FROM EDGE OF PAVEMENT.

EACH TRAFFIC SIGNAL FACE SHALL HAVE A BACKPLATE.

SIGING, PAVEMENT MARKING AND LANE CONTROL REQUIREMENTS SHALL CONFORM TO STANDARD DETAIL DRAWING 15 D 351.

Addendum No. 01  
ID 1077-02-73  
Added Sheet 131A  
September 7, 2018

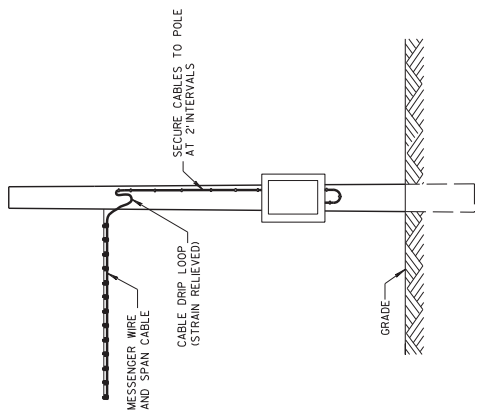


**TYPICAL DROP SIGNAL FACE TO TRAFFIC SIGNAL FACE**

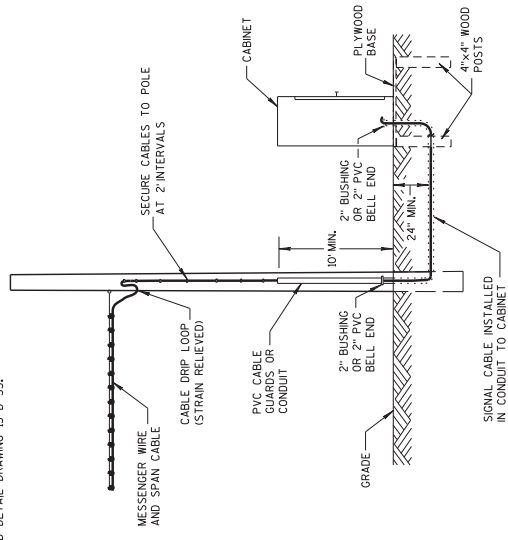
OFFSET DISTANCES FOR TEMPORARY NON-BREAKAWAY POLES	
SPEED LIMIT	OFFSET DISTANCE**
GREATER THAN 45 MPH	18 FT
45 MPH OR LESS	12 FT
45 MPH OR LESS W/ CURBS	2 FT

\*\*NOTE: OFFSET MEASURED FROM OUTER EDGE OF OUTSIDE THRU LANE.

MINIMUM POLE LENGTHS	CLASS	MINIMUM BURIAL DEPTHS
25 FEET	IV	5 FEET
30 FEET	III	6 FEET
35 FEET	II	7 FEET
40 FEET	I	8 FEET
45 FEET	0	9 FEET



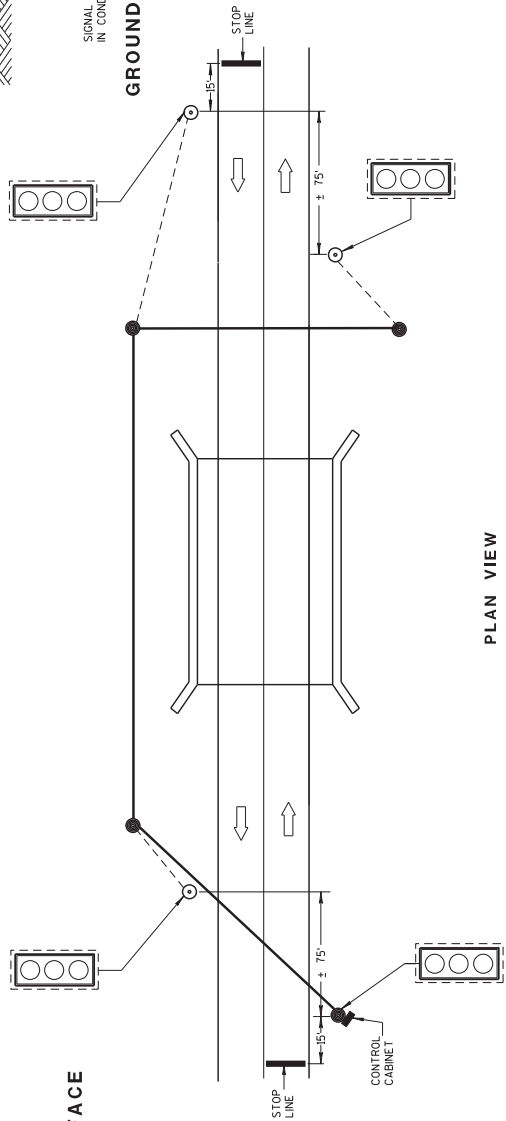
**POLE MOUNT CABINET INSTALLATION**



**GROUND MOUNT CABINET INSTALLATION**

**LEGEND**

- WOOD POLE (NON-BREAKAWAY)
- WOOD POST (BREAKAWAY)
- SIGNAL CABLE
- SIGNAL CABLE W/MESSENGER
- LED TRAFFIC SIGNAL FACE WITH BACKPLATE
- 3'-12" (with arrow)
- ↑ DIRECTION OF TRAFFIC



**TYPICAL BRIDGE TEMPORARY TRAFFIC SIGNAL LOCATION PLAN VIEW**

**BRIDGE TEMPORARY TRAFFIC SIGNAL INSTALLATION**

STATE OF WISCONSIN  
DEPARTMENT OF TRANSPORTATION

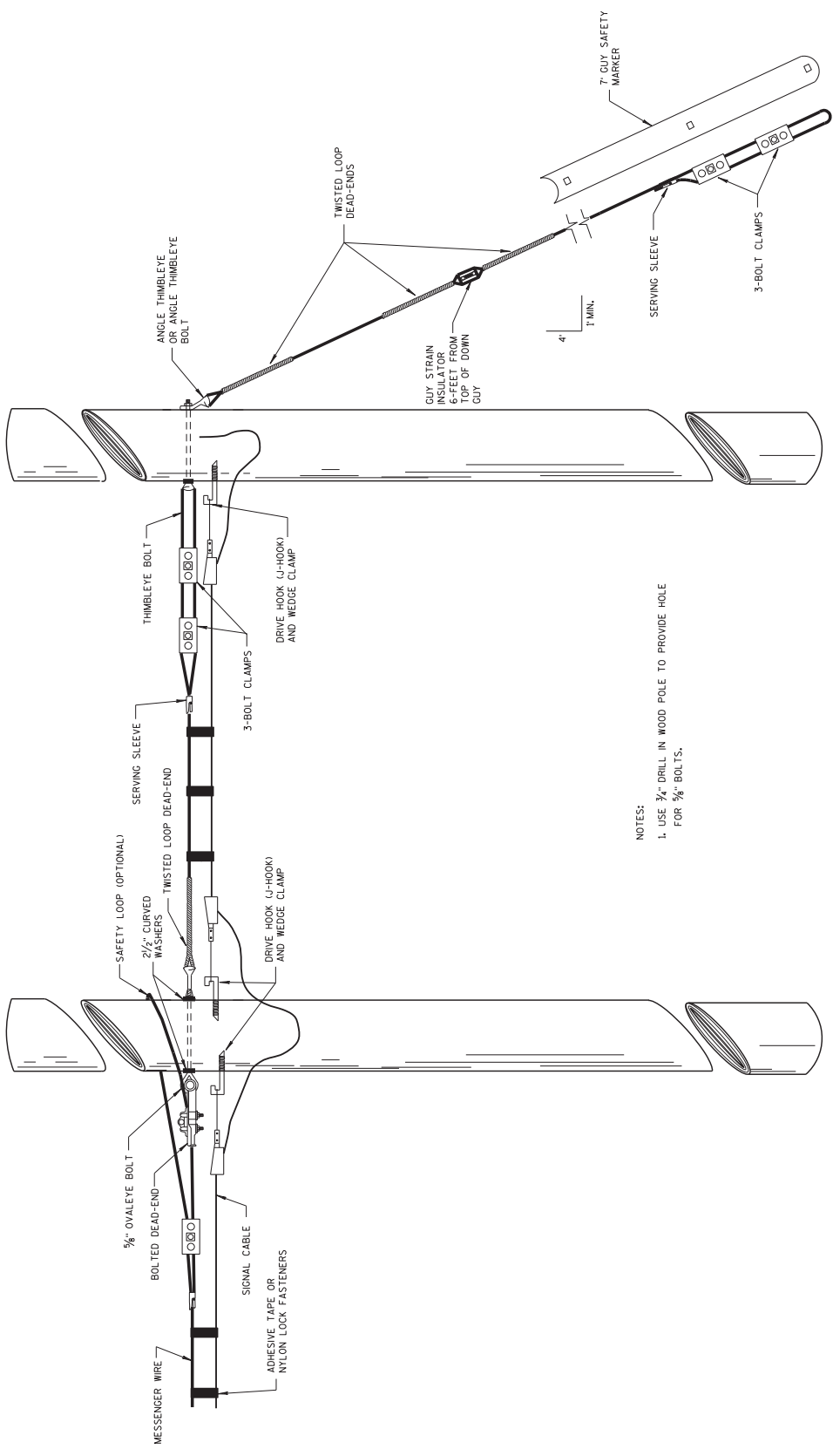
APPROVED  
March 2018 /S/ Ahmet Demirdöğek  
DATE STATE ELECTRICAL ENGINEER  
FHWA

Addendum No. 01  
 ID 1077-02-73  
 Added Sheet 131B  
 September 7, 2018

BRIDGE TEMPORARY  
 TRAFFIC SIGNAL INSTALLATION

STATE OF WISCONSIN  
 DEPARTMENT OF TRANSPORTATION

APPROVED \_\_\_\_\_  
 Mgr./Ch. 2018 /S/ Ahmet Demirbilek  
 DATE \_\_\_\_\_ STATE ELECTRICAL ENGINEER  
 FWA

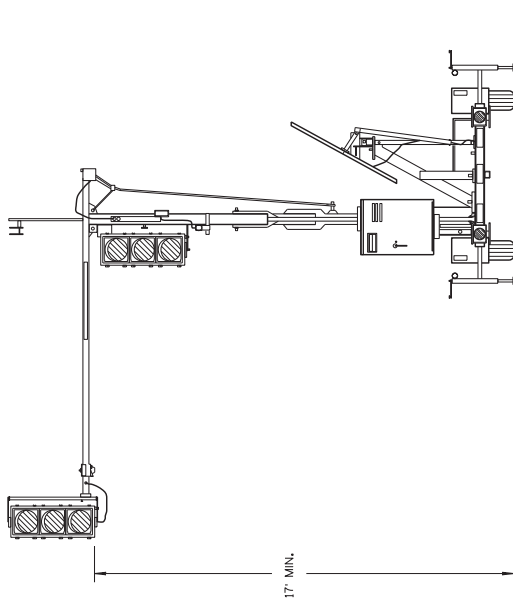


NOTES:  
 1. USE 3/4" DRILL IN WOOD POLE TO PROVIDE HOLE FOR 5/8" BOLTS.

GUY POLE

SPAN WIRE POLE

TO ANCHOR ROD

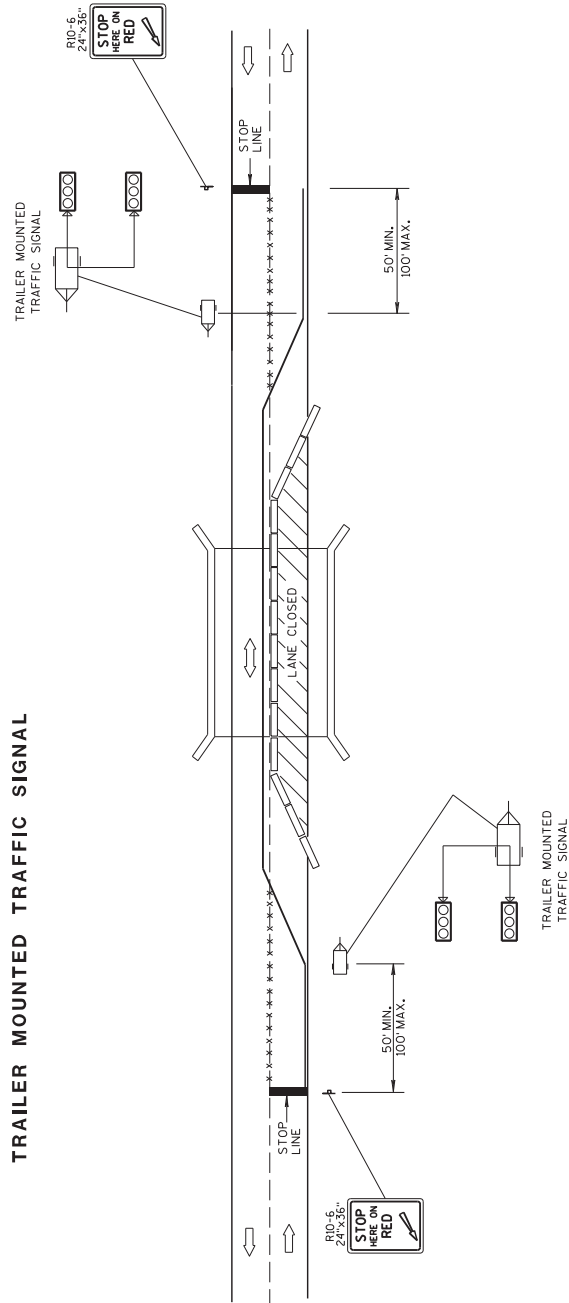


**GENERAL NOTES**

DETAILS OF CONSTRUCTION, MATERIALS AND WORKMANSHIP NOT SHOWN ON THIS DRAWING SHALL CONFORM TO THE PERTINENT REQUIREMENTS OF THE CONTRACT.

SIGNING, PAVEMENT MARKING AND LANE CONTROL REQUIREMENTS SHALL CONFORM TO STANDARD DETAIL DRAWING 15 D 33.

**TRAILER MOUNTED TRAFFIC SIGNAL**



**TYPICAL TRAILER MOUNTED TRAFFIC SIGNAL LOCATION**

Addendum No. 01  
ID 1077-02-73  
Added Sheet 131C  
September 7, 2018

<b>BRIDGE TEMPORARY TRAFFIC SIGNAL INSTALLATION</b>
STATE OF WISCONSIN DEPARTMENT OF TRANSPORTATION
APPROVED Mar-Ch 2018 /S/ Ahmet Demirbilek DATE STATE ELECTRICAL ENGINEER
FWA



Proposal Schedule of Items

Proposal ID: 20180911001 Project(s): 1071-02-71, 1077-02-73

Federal ID(s): WISC 2018371, WISC 2018372

SECTION: 0001

Contract Items

Alt Set ID:

Alt Mbr ID:

Proposal Line Number	Item ID Description	Approximate Quantity and Units	Unit Price	Bid Amount
0152	522.2429 Culvert Pipe Reinforced Concrete Horizontal Elliptical Class HE-IV 29x45-Inch	101.000 LF	_____.	_____.
0154	522.2624 Apron Endwalls for Culvert Pipe Reinforced Concrete Horizontal Elliptical 24x38-Inch	2.000 EACH	_____.	_____.
0156	522.2629 Apron Endwalls for Culvert Pipe Reinforced Concrete Horizontal Elliptical 29x45-Inch	1.000 EACH	_____.	_____.
0158	550.0500 Pile Points	56.000 EACH	_____.	_____.
0160	550.1100 Piling Steel HP 10-Inch X 42 Lb	2,080.000 LF	_____.	_____.
0162	601.0551 Concrete Curb & Gutter 4-Inch Sloped 36-Inch Type A	1,575.000 LF	_____.	_____.
0164	603.8000 Concrete Barrier Temporary Precast Delivered	3,128.000 LF	_____.	_____.
0166	603.8125 Concrete Barrier Temporary Precast Installed	4,416.000 LF	_____.	_____.
0168	604.0500 Slope Paving Crushed Aggregate	1,060.000 SY	_____.	_____.
0170	606.0200 Riprap Medium	14.000 CY	_____.	_____.
0172	606.0300 Riprap Heavy	44.000 CY	_____.	_____.
0174	608.0424 Storm Sewer Pipe Reinforced Concrete Class IV 24-Inch	77.000 LF	_____.	_____.
0176	608.3612 Storm Sewer Pipe Class III-B 12-Inch	16.000 LF	_____.	_____.
0178	608.3618 Storm Sewer Pipe Class III-B 18-Inch	33.000 LF	_____.	_____.



Proposal Schedule of Items

Proposal ID: 20180911001 Project(s): 1071-02-71, 1077-02-73

Federal ID(s): WISC 2018371, WISC 2018372

SECTION: 0001

Contract Items

Alt Set ID:

Alt Mbr ID:

Proposal Line Number	Item ID Description	Approximate Quantity and Units	Unit Price	Bid Amount
0278	637.5453 Barricades Permanent Type III	6.000 EACH	_____.	_____.
0280	638.2102 Moving Signs Type II	2.000 EACH	_____.	_____.
0282	642.5001 Field Office Type B	1.000 EACH	_____.	_____.
0284	643.0300 Traffic Control Drums	48,024.000 DAY	_____.	_____.
0286	643.0420 Traffic Control Barricades Type III	6,725.000 DAY	_____.	_____.
0288	643.0500 Traffic Control Flexible Tubular Marker Posts	2,608.000 EACH	_____.	_____.
0290	643.0600 Traffic Control Flexible Tubular Marker Bases	2,608.000 EACH	_____.	_____.
0292	643.0705 Traffic Control Warning Lights Type A	10,864.000 DAY	_____.	_____.
0294	643.0715 Traffic Control Warning Lights Type C	8,815.000 DAY	_____.	_____.
0296	643.0800 Traffic Control Arrow Boards	840.000 DAY	_____.	_____.
0298	643.0900 Traffic Control Signs	19,159.000 DAY	_____.	_____.
0300	643.1000 Traffic Control Signs Fixed Message	72.000 SF	_____.	_____.
0302	643.1050 Traffic Control Signs PCMS	10.000 DAY	_____.	_____.
0304	643.5000 Traffic Control	1.000 EACH	_____.	_____.
0306	645.0111 Geotextile Type DF Schedule A	228.000 SY	_____.	_____.
0308	645.0120 Geotextile Type HR	165.000 SY	_____.	_____.



Proposal Schedule of Items

Proposal ID: 20180911001 Project(s): 1071-02-71, 1077-02-73

Federal ID(s): WISC 2018371, WISC 2018372

SECTION: 0001

Contract Items

Alt Set ID:

Alt Mbr ID:

Proposal Line Number	Item ID Description	Approximate Quantity and Units	Unit Price	Bid Amount
0310	646.1020 Marking Line Epoxy 4-Inch	302,770.000 LF	_____.	_____.
0312	646.3020 Marking Line Epoxy 8-Inch	800.000 LF	_____.	_____.
0314	646.9000 Marking Removal Line 4-Inch	18,520.000 LF	_____.	_____.
0316	649.0105 Temporary Marking Line Paint 4-Inch	359,062.000 LF	_____.	_____.
0318	649.0150 Temporary Marking Line Removable Tape 4-Inch	17,470.000 LF	_____.	_____.
0320	649.0250 Temporary Marking Line Removable Tape 8-Inch	400.000 LF	_____.	_____.
0322	649.0760 Temporary Marking Raised Pavement Marker Type I	360.960 EACH	_____.	_____.
0324	650.4000 Construction Staking Storm Sewer	12.000 EACH	_____.	_____.
0326	650.4500 Construction Staking Subgrade	2,911.000 LF	_____.	_____.
0328	650.5000 Construction Staking Base	2,911.000 LF	_____.	_____.
0330	650.5500 Construction Staking Curb Gutter and Curb & Gutter	1,586.000 LF	_____.	_____.
0332	650.6000 Construction Staking Pipe Culverts	3.000 EACH	_____.	_____.
0334	650.6500 Construction Staking Structure Layout (structure) 01. B-41-0293	LS	LUMP SUM	_____.
0336	650.6500 Construction Staking Structure Layout (structure) 02. B-41-0294	LS	LUMP SUM	_____.
0338	650.8000 Construction Staking Resurfacing Reference	123,706.000 LF	_____.	_____.



Proposal Schedule of Items

Proposal ID: 20180911001 Project(s): 1071-02-71, 1077-02-73

Federal ID(s): WISC 2018371, WISC 2018372

SECTION: 0001

Contract Items

Alt Set ID:

Alt Mbr ID:

Proposal Line Number	Item ID Description	Approximate Quantity and Units	Unit Price	Bid Amount
0368	SPV.0060 Special 06. HMA Percent Within Limits (PWL) Test Strip Volumetrics	1.000 EACH	_____.	_____.
0370	SPV.0060 Special 07. HMA Percent Within Limits (PWL) Test Strip Density	1.000 EACH	_____.	_____.
0372	SPV.0060 Special 08. Tubular Marker Posts Special	146.000 EACH	_____.	_____.
0374	SPV.0060 Special 09. Tubular Marker Bases Special	146.000 EACH	_____.	_____.
0376	SPV.0105 Special 01. Girder Crack Grinding	LS	LUMP SUM	_____.
0378	SPV.0105 Special 02. Material Transfer Vehicle	LS	LUMP SUM	_____.
0380	SPV.0165 Special 01. Fiber Wrap Reinforcing Non-Structural	1,460.000 SF	_____.	_____.
0382	SPV.0165 Special 02. Concrete Surface Cleaning	10.000 SF	_____.	_____.
0384	649.0850 Temporary Marking Stop Line Removable Tape 18-Inch	60.000 LF	_____.	_____.
0386	661.0100 Temporary Traffic Signals for Bridges (structure) 01. B-41-112	LS	LUMP SUM	_____.
Section: 0001			Total:	_____.
			Total Bid:	_____.

