



# Wisconsin Department of Transportation

December 3, 2018

**Division of Transportation Systems Development**  
Bureau of Project Development  
4822 Madison Yards Way, 4<sup>th</sup> Floor South  
Madison, WI 53705

Telephone: (608) 266-1631  
Facsimile (FAX): (608) 266-8459

## NOTICE TO ALL CONTRACTORS:

**Proposal #16: 1500-37-71, WISC 2018 470**  
**Waldo Blvd, City of Manitowoc**  
**Fleetwood Drive – 8<sup>th</sup> Street**  
**USH 10**  
**Manitowoc County**

**1500-37-72**  
**Waldo Blvd, City of Manitowoc**  
**Fleetwood Drive – 8<sup>th</sup> Street**  
**USH 10**  
**Manitowoc County**

**1500-47-71, WISC 2018 471**  
**Waldo Blvd, City of Manitowoc**  
**CTH R – Fleetwood Drive**  
**USH 10**  
**Manitowoc County**

**4570-12-71, WISC 2018 472**  
**Waldo Blvd, City of Manitowoc**  
**8<sup>th</sup> Street – Maritime Drive**  
**STH 42**  
**Manitowoc County**

**4570-12-72**  
**Waldo Blvd, City of Manitowoc**  
**8<sup>th</sup> Street – Maritime Drive**  
**STH 42**  
**Manitowoc County**

## Letting of December 11, 2018

This is Addendum No. 01, which provides for the following:

### Special Provisions:

Revised Special Provisions	
Article No.	Description
5	Traffic
78	Removing Sign Type II
79	Removing Small Sign Supports
109	Concrete Cap Over Sanitary Sewer, Item SPV.0060.11.
117	Luminaire LED Special, Item SPV.0060.28.
118	Luminaire LED RAB, Item SPV.0060.29.
132	Remove Existing Sanitary Sewer Manhole, Item SPV. 0060.202.
138	Storm Sewer Pipe PVC 6-Inch, Item SPV.0090.03; Storm Sewer Pipe PVC 12-Inch, Item SPV.0090.04.

139	Mini Storm Sewer 6-Inch, Item SPV.0090.05; Mini Storm Sewer 8-Inch, Item SPV.0090.06.
146	Water Main Pipe 6-Inch, Item SPV.0090.100; Water Main Pipe 8-Inch, Item SPV.0090.101; Water Main Pipe 10-Inch, Item SPV.0090.102; Water Main Pipe 12-Inch, Item SPV.0090.103; Water Main Pipe 24-Inch, Item SPV.0090.104.
152	Sanitary Lateral 6-Inch, Item SPV.0090.211.
153	Sanitary Lateral Risers 6-Inch, Item SPV.0090.212.
162	Waterway Isolation for Box Culvert B-36-0232, Item SPV.0105.13.
169	Sanitary Sewer Pipeline Support, Item SPV.0105.200.

Added Special Provisions	
Article No.	Description
180	Sawing Pavement Deck Preparation Areas, Item 509.0310.S.
181	Concrete Masonry Deck Repair, Item 509.2100.S.
182	Storm Sewer Pipe PVC 12-Inch Affixed to Existing Sewer, Item SPV.0105.73.
183	Steel Casing Pipe 42-Inch, Item SPV.0090.13; Steel Casing Pipe 20-Inch, Item SPV.0090.14.
184	Water Main Trench Backfill Testing Project 1500-37-72, Item SPV.0105.104; Water Main Trench Backfill Testing Project 4570-12-72, Item SPV.0105.105; Sanitary Sewer Trench Backfill Testing Project 1500-37-72, Item SPV.0105.106; Sanitary Sewer Trench Backfill Testing Project 4570-12-72, Item SPV.0105.107.
185	Trench Insulation 4-Inch, Item SPV.0165.101.

Deleted Special Provisions	
Article No.	Description
145	Steel Casing Pipe 42-Inch, Item SPV.0090.13
167	Trench Backfill Testing Project 1500-37-72, Item SPV.0105.100; Trench Backfill Testing Project 4570-12-72, Item SPV.0105.101.
172	Trench Insulation 2-Inch, Item SPV.0165.100

**Schedule of Items:**

Revised Bid Item Quantities					
Bid Item	Item Description	Unit	Old Quantity	Revised Quantity	Proposal Total
204.0210	Removing Manholes	EA	96	-2	94
204.0245.09	Removing Storm Sewer 60-Inch	LF	1,010	-790	220
204.0250	Abandoning Manholes	EA	6	2	8
204.0291.S	Abandoning Sewer	CY	1,405	570	1,975
608.0312	Storm Sewer Pipe Reinforced Concrete Class III 12-Inch	LF	5,566	-5	5,560
616.0700.S	Fence Safety	LF	1,000	1,500	2,500
658.0173	Traffic Signal Face 3S 12-Inch	Each	51	-4	47
658.0174	Traffic Signal Face 4S 12-Inch	Each	18	4	22
SPV.0195.200	Imported Trench Backfill	Ton	2,500	2,500	5,000

<b>Added Bid Item Quantities</b>					
Bid Item	Item Description	Unit	Old Quantity	Revised Quantity	Proposal Total
509.0310.S	Sawing Pavement Deck Preparation Area	LF	0	60	60
509.2100.S	Concrete Masonry Deck Repair	CY	0	5	5
SPV.0090.14	Steel Casing Pipe 20-Inch	LF	0	80	80
SPV.0105.73	Storm Sewer Pipe PVC 12-Inch Affixed to Existing Sewer	LS	0	1	1
SPV.0105.104	Water Main Trench Backfill Testing Project 1500-37-72	LS	0	1	1
SPV.0105.106	Sanitary Sewer Trench Backfill Testing Project 1500-37-72	LS	0	1	1
SPV.0105.105	Water Main Trench Backfill Testing Project 4570-12-72	LS	0	1	1
SPV.0105.107	Sanitary Sewer Trench Backfill Testing Project 4570-12-72	LS	0	1	1
SPV.0165.101	Trench Insulation 4-Inch	SF	0	1,344	1,344

<b>Deleted Bid Item Quantities</b>					
Bid Item	Item Description	Unit	Old Quantity	Revised Quantity	Proposal Total
509.2500	Concrete Masonry Overlay Decks	CY	5	-5	0
646.6220	Marking Yield Line Epoxy 18-Inch	Each	4	-4	0
SPV.0105.100	Trench Backfill Testing Project 1500-37-72	LS	1	-1	0
SPV.0105.101	Trench Backfill Testing Project 4570-12-72	LS	1	-1	0
SPV.0165.100	Trench Insulation 2-Inch	SF	1,344	-1,344	0

**Plan Sheets:**

<b>Revised Plan Sheets</b>	
Plan Sheet	Plan Sheet Title (brief description of changes to sheet)
40	Construction Details (Note revised)
45	Construction Details (Revised detail title to reflect a new bid item)
48	Construction Details (Modified base offset and top elevation)
51	Construction Details (Modified insulation thickness)
137	Storm Sewer Removal Plan (Revised note based on modified storm sewer layout.)
139	Storm Sewer Removal Plan (Revised trunk line removal/abandoning limits)
140	Storm Sewer Removal Plan (Revised trunk line removal/abandoning limits)
141	Storm Sewer Removal Plan (Revised trunk line removal/abandoning limits)
179	Storm Sewer (Adjusted MH-126.4 and the pipe from MH-126.4 to MH-126.0)
182	Storm Sewer (Adjusted the location of CB-126.1, the layout of the 12-inch PVC pipe within the 54-inch existing storm sewer, MH-126.2, MH-126.4, and the pipes from CB-126.1 to MH-126.2 and from MH-126.2 to MH-126.4)
236	Traffic Signals (Changed signal head type)
237	Traffic Signals (Updates due to new signal heads)
250	Traffic Signals (Added luminaires)
339	Miscellaneous Quantities (Modified reflecting the revision to the storm sewer trunk line removal/abandoning limits)
340	Miscellaneous Quantities (Modified reflecting the revision to the storm sewer trunk line removal/abandoning limits)

354	Miscellaneous Quantities (Modified remarks for concrete collar adjacent to storm sewer structure CB-126.1)
367	Miscellaneous Quantities (Modified to reflect proposed storm sewer change)
368	Miscellaneous Quantities (Modified to reflect proposed storm sewer change)
371	Miscellaneous Quantities (Modified to reflect proposed storm sewer change)
373	Miscellaneous Quantities (Elevation and structure depth information modified to reflect proposed storm sewer changes)
380	Miscellaneous Quantities (Elevation, structure depth, and station/offset information modified to reflect proposed storm sewer changes)
385	Miscellaneous Quantities (Updated project ID)
387	Miscellaneous Quantities (Added Quantities for ID 1500-37-72 and 4570-12-72)
440	Miscellaneous Quantities (Update loop and pullbox information)
455	Miscellaneous Quantities (Update signal face quantities)
458	Miscellaneous Quantities (Update totals)
476	Miscellaneous Quantities (Revised Quantities)
478	Miscellaneous Quantities (Added Steel Casing Pipe)
479	Miscellaneous Quantities (Updated item to Trench Insulation 4-Inch)
480	Miscellaneous Quantities (Updated item to Trench Insulation 4-Inch)
783	Structure B-36-900 (Quantity changes)

The responsibility for notifying potential subcontractors and suppliers of these changes remains with the prime contractor.

Sincerely,

*Mike Coleman*

Proposal Development Specialist  
Proposal Management Section

**ADDENDUM NO. 01**

**1500-37-71, 1500-37-72, 1500-47-71, 4570-12-71, 4570-12-72**

**December 3, 2018**

**Special Provisions**

**5. Traffic.**

*Replace paragraph one under section titled **Maintaining Access** with the following:*

Always maintain local and emergency access to adjacent properties to and from the work zone unless otherwise approved by the engineer. Access to be maintained on an aggregate surface. Cost for this work including aggregate material is incidental to bid item of Excavation Common.

*Replace entire section titled **Detour, USH 10 East** with the following:*

USH 10 east shall be detoured at junction of IH 43 and USH 151. Detour will follow USH 151 east to the junction of USH 151 and USH 10.

*Replace entire section titled **Detour, USH 10 West** with the following:*

USH 10 west shall be detoured at junction of USH 151 and USH 10. USH 10 West will follow USH 151 west to IH 43, north on IH 43 to USH 10 west.

*Replace entire section titled **Mariner's Trail** with the following:*

Close the trail for storm sewer installation and pavement replacement. Closures are restricted to beginning of March to the middle of May on the days of Monday through Thursday only. Closure is limited to one day per storm sewer crossing and one overall day for pavement replacement. If pavement is not replaced immediately after storm sewer work, a temporary pedestrian hard surface must be provided until permanent pavement is placed. Place temporary pedestrian fence as necessary to protect any remaining drop offs adjacent to the trail after storm sewer work.

**78. Removing Sign Type II**

*Replace the entire section with the following:*

*Add the following to standard spec 638.3.4:*

All signs removed within the project limits will become the property of City of Manitowoc. Carefully remove sign from their supports, sort by base material, palletize them by material type, and stockpile on site. Load signs on city trucks for removal from project site. Notify Chad Scheinoha, 920-686-6512, three working days prior to pickup of signs.

**79. Removing Small Sign Supports**

*Replace entire article language with the following:*

*Add the following to standard spec 638.3.5:*

All sign supports removed within the project limits will become the property of City of Manitowoc. Carefully remove sign supports, sort by length and type, and stockpile on site. Load sign supports on city trucks for removal from project site. Notify Chad Scheinoha at (920) 686-6512, three working days prior to pickup of sign supports.

**109. Concrete Cap Over Sanitary Sewer, Item SPV.0060.11**

*Under section B Materials add the following:*

Furnish Type II Portland Cement.

**117. Luminaire LED Special, Item SPV.0060.28**

*Under section B Materials replace the entire section with the following:*

Furnish Leotek GC2-96G-MV-NW-2R-BK-900 luminaire.

**118. Luminaire LED RAB, Item SPV.0060.29**

*Under section B Materials replace the entire section with the following:*

Furnish American Electric Lighting model ATB2 60BLED10 MVOLT R3 BK luminaire.

**132. Remove Existing Sanitary Sewer Manhole, Item SPV. 0060.202.**

*Under section B Materials replace the entire section with the following:*

Provide granular backfill material conforming to the gradation requirements found in Standard Specifications for Sewer and Water Construction in Wisconsin, Sixth Edition Section 8.43.4 or pit run material conforming to the gradation requirements found in standard spec section 313, except that the maximum size of individual stone pieces will not exceed six inches.

**138. Storm Sewer Pipe PVC 6-Inch, Item SPV.0090.03;  
Storm Sewer Pipe PVC 12-Inch, Item SPV.0090.04.**

*Under section B Materials add the following:*

Underground tracer wire is required and shall comply with the plan details. Waterproof wire nuts or splice kits are required when splicing of tracer wire is performed and on the ends of the terminating tracer wire. Underground tracer wire is to be 12-gauge solid copper with a corrosion protective coating and color brown.

For tracer wire access point, provide a 1-inch PVC Schedule 40 conduit with a removable threaded galvanized metal cap. There should be 24-inch-long #4 rebar placed 6 inches below grade and adjacent to the tracer wire access point.

Backfill to conform to section 608.2 of standard specifications.

**139. Mini Storm Sewer 6-Inch, Item SPV.0090.05  
Mini Storm Sewer 8-Inch, Item SPV.0090.06**

*Under section A Description replace the entire section with the following:*

This special provision describes furnishing and installing mini storm sewer according to standard spec 608, as shown on the plans, and as hereinafter provided.

*Under section B Materials delete the entire ninth and tenth paragraph that starts with the following:*

*“Provide non-traffic rated ABS plastic access box” and “Underground pipe tracer wire is required”*

*Under section B Materials add the following:*

Underground tracer wire is required and shall comply with the plan details. Waterproof wire nuts or splice kits are required when splicing of tracer wire is performed and on the ends of the terminating tracer wire. Underground tracer wire is to be 12-gauge solid copper with a corrosion protective coating and color brown.

For tracer wire access point, provide a 1-inch PVC Schedule 40 conduit with a removable threaded galvanized metal cap. There should be 24-inch-long #4 rebar placed 6 inches below grade and adjacent to the tracer wire access point.

Backfill to conform to standard spec 608.2.

*Under section C Construction replace the entire first paragraph with the following:*

Perform construction operations according to standard spec 608.3.

**145. DELETED.**

**146. Water Main Pipe 6-Inch, Item SPV.0090.100;  
Water Main Pipe 8-Inch, Item SPV.0090.101;  
Water Main Pipe 10-Inch, Item SPV.0090.102;  
Water Main Pipe 12-Inch, Item SPV.0090.103;  
Water Main Pipe 24-Inch, Item SPV.0090.104.**

*Under section B Materials B.1 Pipe replace the entire third paragraph with the following:*

Provide all gaskets in conformance with the latest edition of AWWA C-111.

*Under section B Materials B.2 Granular Bedding and Backfill replace entire section with the following:*

Provide bedding and backfill conforming to section 209.2 of the standard specifications.

**152. Sanitary Lateral 6-Inch, Item SPV.0090.211**

*Under section B Materials replace the entire first paragraph with the following:*

Provide schedule 40, polyvinyl chloride pipe conforming to the requirements of ASTM D1785/D2665.

**153. Sanitary Lateral Risers 6-Inch, Item SPV.0090.212**

*Under section B Materials replace the entire first paragraph with the following:*

Provide schedule 40, polyvinyl chloride pipe conforming to the requirements of ASTM D1785/D2665.

**162. Waterway Isolation for Box Culvert B-36-0232, Item SPV.0105.13**

*Under section C Construction replace the entire third paragraph with the following:*

B-36-0232 is to be constructed in stages. Maintain flow through the existing culvert while isolating the work area. After the first cell of B-36-0232 is complete, direct water flow through the completed cell while isolating the existing box culvert during removal. Continue to isolate the work area and direct water through the completed cell during placement of the second cell of B-36-0232. Direct water flow using isolation measures shown in the plans.

*Under section E Payment replace the entire third paragraph with the following:*

Payment is full compensation according to standard spec 628.5 and for furnishing, placing, moving, and removing all materials as necessary to isolate the existing and proposed box culverts as necessary to construct B-36-0232 in stages while maintaining water flow.

**167. DELETED**

**169. Sanitary Sewer Pipeline Support, Item SPV.0105.200.**

*Under section A Description replace the entire paragraph with the following:*

This special provision describes providing support system for the existing or proposed sanitary sewer pipeline during the construction of box culvert B-36-232.

*Under section C Construction replace the entire paragraph with the following:*

Construct a support system to maintain sanitary sewer flow for both existing sanitary sewer pipelines that cross the proposed excavation for box culvert B-36-232.

**172. DELETED**

**180. Sawing Pavement Deck Preparation Areas, Item 509.0310.S.**

**A Description**

This special provision describes sawing around deteriorated areas requiring deck repairs under the Preparation Decks bid items on decks receiving asphalt or polymer overlays and for deck repairs that will not receive an overlay.



**B (Vacant)**

**C Construction**

The department will sound and mark areas of deteriorated concrete that require deck preparation. The engineer may identify and mark additional areas as the work is being performed.

Wet cut a minimum of 1 inch deep and at least 2 inches outside of the marked areas. Bound each marked area by providing cuts aligned parallel and perpendicular to the deck centerline.

Remove sawing sludge after completing each area. Do not allow sludge or resulting residue to enter a live lane of traffic, storm sewer, stream, lake, reservoir, marsh, or wetland. Dispose of sludge at an acceptable material disposal site located off the project limits or, if the engineer allows, within the project limits.

**D Measurement**

The department will measure Sawing Pavement Deck Preparation Areas by the linear foot acceptably completed, measured as the total linear feet of bounding cuts.

The department will not measure for payment over-cuts or cuts made beyond what is required to bound engineer-marked deterioration limits.

**E Payment**

The department will pay for the measured quantity at the contract unit price under the following bid item:

ITEM NUMBER	DESCRIPTION	UNIT
509.0310.S	Sawing Pavement Deck Preparation Areas	LF

Payment is full compensation for making all saw cuts; and for debris disposal.

**181. Concrete Masonry Deck Repair, Item 509.2100.S.**

**A Description**

This special provision describes providing concrete masonry on the sawed deck preparation areas of the concrete bridge deck and in full depth deck, curb, and joint repair areas. Conform to standard spec 502 and standard spec 509.

**B Materials**

**B.1 Neat Cement**

Furnish a neat cement bonding grout. Mix the neat cement in a water-cement ratio approximately equal to 5 gallons of water per 94 pounds of cement.

**B.2 Concrete**

Furnish grade C, C-FA, C-S, C-IS, C-IP, C-IT, or E concrete conforming to standard spec 501 for deck preparation, full-depth deck repair, curb repair and joint repair areas except as follows:

1. The contractor may increase slump of grade E concrete to 3 inches.
2. The contractor may use ready-mixed concrete.

**C Construction**

**C.1 Neat Cement**

Immediately before placing the concrete deck patching, coat the prepared surfaces with a neat cement mixture. Ensure the prepared concrete surfaces are moist without any standing water before

coating with the neat cement mixture. Brush the neat cement mixture over the prepared concrete surfaces to ensure that all parts receive an even coating, and do not allow excess neat cement to collect in pockets. Apply the neat cement at a rate that ensures the cement does not dry out before being covered with the new concrete.

### **C.2 Placing Concrete**

Place concrete conforming to standard spec 509. As determined by the engineer, consolidate smaller areas by internal vibration, strike them off, and finish the areas with hand floats to produce plane surfaces that conform to the grade and elevation of the adjoining surfaces. Give all deck patching areas a final hand float finish.

### **C.3 Curing Concrete**

Cure the concrete masonry deck patching conforming to standard spec 502.2.6(1).

### **D Measurement**

The department will measure the Concrete Masonry Deck Repair bid item by the cubic yard acceptably completed.

The department will measure concrete used in deck preparation areas and in full depth deck, curb, and joint repair as part of the Concrete Masonry Deck Repair bid item.

The department will not measure wasted concrete.

### **E Payment**

The department will pay for the measured quantity at the contract unit price under the following bid item:

ITEM NUMBER	DESCRIPTION	UNIT
509.2100.S	Concrete Masonry Deck Repair	CY

Payment is full compensation for furnishing, hauling, preparing, placing, finishing, curing, and protecting all materials.

## **182. Storm Sewer Pipe PVC 12-Inch Affixed to Existing Sewer, Item SPV.0105.73.**

### **A Description**

This special provision describes furnishing and installing storm sewer according to standard spec 612, as shown in the plans, and as hereinafter provided.

### **B Materials**

Furnish pipe and fittings furnished shall meet the requirements for Type PSM Polyvinyl Chloride (PVC) Storm Sewer Pipe and fittings as set forth in ASTM Designation D-3034 and subsequent revisions thereof.

The dimensions of the pipe shall be according to ASTM D-3034 (SDR rating 35). The wall thickness shall not be less than that specified except that isolated arcs spanning no more than 15 degrees of the perimeter shall not be less than 95% of the specified minimum.

Each length of pipe and each fitting shall be marked as follows:

- a. Manufacturer's name or trademark
- b. Nominal pipe size.
- c. The PVC cell classification, e.g., 12454-B.

- d. The legend Type PSM PVC Sewer Pipe.
- e. ASTM Designation D-3034.

Pipe fittings shall be according to all manufacture's recommendations.

All pipe and fittings shall be by one (1) manufacturer, and shall have elastomeric joints conforming to the requirements of ASTM F-477 and D-3212. PVC gasketed sewer fittings shall conform to the requirements of ASTM F-1336.

Flexible couplings shall be manufactured from flexible polyvinyl chloride (PVC) intended for water-tight joints and shall be 3/8-inch thick with multiple sealing ribs. Each coupling shall consist of 2-Series 300 (18-8) all stainless steel, extra strength (0.040 thick) T-bolt clamps with multiple take up points. The flexible coupling shall conform to the applicable parts of ASTM C443, C425, C564, D1869, and C1173. The flexible couplings shall be manufactured to connect the PVC replacement pipe with pipes of different materials.

**C Construction**

Perform construction operations according to the applicable portions of standard spec 608.3 and as shown in the plan. Securely connect the PVC pipe to the crown of the existing storm sewer in a manner that does not damage PVC pipe.

**D Measurement**

The department will measure Storm Sewer Pipe PVC 12-Inch Affixed to Existing Sewer by the lump sum, acceptably completed.

**E Payment**

The department will pay for measured quantities at the contract unit price under the following bid item:

ITEM NUMBER	DESCRIPTION	UNIT
SPV.0105.73	Storm Sewer Pipe PVC 12-Inch Affixed to Existing Sewer	LS

Payment is full compensation for providing the storm sewer; for cleaning out; connecting the PVC storm sewer to the inside of the existing storm sewer pipe; for connecting to private laterals and private storm inlets; for connecting to the storm sewer network; for restoring the work site; and all incidentals necessary to complete the contract work.

**183. Steel Casing Pipe 42-Inch, Item SPV.0090.13; Steel Casing Pipe 20-Inch, Item SPV.0090.14**

**A Description**

This special provision describes furnishing and installing a Steel Casing Pipe under the Wisconsin Central Ltd. Railroad tracks, which cross USH 10 (Waldo Boulevard). Complete this work according to the pertinent subsections of standard spec 520, as shown in the plans, and as hereinafter provided; or as directed by the engineer.

**B Materials**

**B.1. Smooth Steel Casing Pipe**

Furnish pipe made of steel that has a plain end, a minimum thickness of 0.625", minimum yield strength of 35,000 psi, and conforms to ASTM A106 Grade B. Furnish pipe that has welded joints, is in at least 18 feet long sections (except for the last section, if a shorter length is needed to obtain the total length).

**B.2. Spacers and Skids**

Furnish spacers or skids to provide a sliding surface between the casing pipe and the carrier pipe.

### **B.3. Flowable Fill**

Provide a highly flowable mix containing enough cementations material, fine aggregate and water to produce a design mix with a minimum 28-day compressive strength of 500 psi. While the mix is to be a flowable mix, the water content is to be minimized through the use of admixtures to reduce shrinkage.

Submit a copy of the mix design and strength test reports to the engineer for approval prior to use.

### **C Construction**

#### **C.1. General**

*Supplement standard spec 520.3 with the following:*

Install Smooth Steel Casing Pipe without bends and butt-weld all joints between pipe lengths with a smooth non-obstructing joint inside as shown in the plans, and as hereinafter provided; or as directed by the engineer.

Install spacers or skids around carrier pipe and install carrier pipe in steel casing pipe according to manufacturer's recommendations. Once carrier pipe is installed, fill annular space between carrier pipe and casing pipe with flowable fill.

Maintain line and grade of carrier pipe and prevent flotation of carrier pipe during placement of flowable fill. Following placement of flowable fill, seal ends of casing with non-shrink grout.

When performing work in the area of the railroad track, comply with the requirements of standard spec 107.17 and as modified in Article 10 of these special provisions and as directed by the engineer.

### **D Measurement**

The department will measure Steel Casing Pipe (size) by the linear foot, acceptably completed, measured along the centerline of the pipe from end of the pipe to end of the pipe.

### **E Payment**

The department will pay for measured quantities at the contract unit price under the following bid item:

ITEM NUMBER	DESCRIPTION	UNIT
SPV.0090.013	Steel Casing Pipe 42-Inch	LF
SPV.0090.014	Steel Casing Pipe 20-Inch	LF

Payment is full compensation for furnishing and installing steel pipe including: performing all excavation, furnishing and installing spacers or skids, flowable fill, non-shrink grout, pumping, butt-welding, and providing railroad insurance.

- 184. Water Main Trench Backfill Testing Project 1500-37-72, Item SPV.0105.104;  
Water Main Trench Backfill Testing Project 4570-12-72, Item SPV.0105.105;  
Sanitary Sewer Trench Backfill Testing Project 1500-37-72, Item SPV.0105.106;  
Sanitary Sewer Trench Backfill Testing Project 4570-12-72, Item SPV.0105.107.**

This special provision describes sampling and testing of backfill used for water main and sanitary sewer work, including services.

### **B (Vacant)**

**C Construction**

Contractor shall arrange and pay for soil sampling and testing by a qualified testing agency, acceptable to Manitowoc Public Utilities and City of Manitowoc and independent of contractor. Test soil materials for suitability for intended purpose using standard, recognized procedures. Determine mechanical analysis, liquid and plastic limit, and moisture-density curve (ASTM D698) for each type of soil encountered. Perform at least two field density tests in random compacted backfill layers for every 400 linear feet of trench, including two laterals within the 400 linear foot area, or fraction thereof, under roadways and walks.

Density tests shall be at randomly selected locations, or in locations as selected by engineer, and according to ASTM D1556 (sand cone method) or ASTM D2922 (nuclear method). Where field testing indicates that soils are below specified density, provide additional compaction and testing at no additional cost to Manitowoc Public Utilities or the City of Manitowoc. Submit reports for the laboratory tests and field density tests specified above to engineer.

**D Measurement**

The department will measure (type) Trench Backfill Testing (project) as a single lump sum unit of work for the testing, acceptably completed.

**E Payment**

The department will pay for measured quantities at the contract unit price under the following bid item:

ITEM NUMBER	DESCRIPTION	UNIT
SPV.0105.104	Water Main Trench Backfill Testing Project 1500-37-72	LS
SPV.0105.105	Water Main Trench Backfill Testing Project 4570-12-72	LS
SPV.0105.106	Sanitary Sewer Trench Backfill Testing Project 1500-37-72	LS
SPV.0105.107	Water Main Trench Backfill Testing Project 4570-12-72	LS

Payment is full compensation for required laboratory and field testing and reporting of test results.

**185. Trench Insulation 4-Inch, Item SPV.0165.101.**

**A Description**

This special provision describes furnishing and installing trench insulation at locations indicated on the plans and as hereinafter provided.

**B Materials**

Furnish extruded closed-cell polystyrene board complying with ASTM C578, Type IV, minimum 25 psi compressive strength, minimum thermal resistance (R-value at 75 deg F) of 5.0 per 1-in. thickness.

**C Construction**

Install insulation in accordance with manufacturer's instructions for the particular conditions of installation. If printed instructions do not apply to project conditions, consult manufacturer's technical representative for specific recommendations before proceeding with work.

Provide insulation thickness, width, and burial depth as designated.

Extend insulation full thickness over entire area specified. Where two or more layers of insulation are used, place alternating layers to overlap joints of previous layer.

**D Measurement**

The department will measure Trench Insulation 4-Inch by the square foot acceptably completed.

**E Payment**

The department will pay for measured quantities at the contract unit price under the following bid item:

ITEM NUMBER	DESCRIPTION	UNIT
SPV.0165.101	Trench Insulation 4-Inch	LS

Payment is full compensation for furnishing and installing insulation, including (if required) additional excavating, backfilling, and compacting not already part of piping installation work.

**Schedule of Items**

Attached, dated December 3, 2018, are the revised Schedule of Items Pages 1 – 33.

**Plan Sheets**

The following 8½ x 11-inch sheets are attached and made part of the plans for this proposal:

Revised: 40, 45, 48, 51, 137, 139, 141, 179, 182, 236, 237, 250, 339, 340, 354, 367, 368, 371, 373, 380, 385, 387, 440, 455, 458, 476, 478 - 480, and 783.

END OF ADDENDUM

--- CONTINUE TO MINI-STORM CLEAN OUT OR CONNECTION TO EXISTING PRIVATE LATERAL  
 --- CONNECT WITHIN PROPS-OF-WAY OR EASEMENT ADJACENT TO PROPERTY LINE  
 --- CAP IF A STUB IS PROVIDED FOR FUTURE USE  
 --- 6"X6" WYE  
 --- 1' TYP.

--- BACK OF CONCRETE SIDEWALK ---

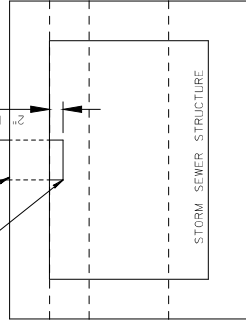
NOTE: COVER MINI STORM SEWER WITH A 4-FT WIDTH OF INSULATION BOARD POLYSTYRENE 2-INCH CENTERED OVER THE PIPE INSTALLATION AT 6-INCHES ABOVE THE TOP OF PIPE

CONNECTION TO STORM SEWER STRUCTURE OR CONDUIT IS INCIDENTAL TO THE MINI-STORM SEWER ITEM

DISCHARGE OF MINI-STORM SEWER SHALL BE 12" ABOVE STORM SEWER STRUCTURE DISCHARGE ELEVATION OR AS APPROVED BY THE ENGINEER

--- BENDS AS REQUIRED AND SHOWN ELSEWHERE IN PLANS ---

--- 6" PVC (SDR-35) TYP. ---



--- BACK OF CURB & GUTTER ---

--- FLOWLINE OF CURB & GUTTER ---

--- FLAG LINE OF CURB & GUTTER ---

--- 2" ---

--- 12" ---

--- MAX ---

--- 2" ---

--- 12" ---

--- MAX ---

--- 2" ---

--- 12" ---

--- MAX ---

--- 2" ---

--- 12" ---

--- MAX ---

--- 2" ---

--- 12" ---

--- MAX ---

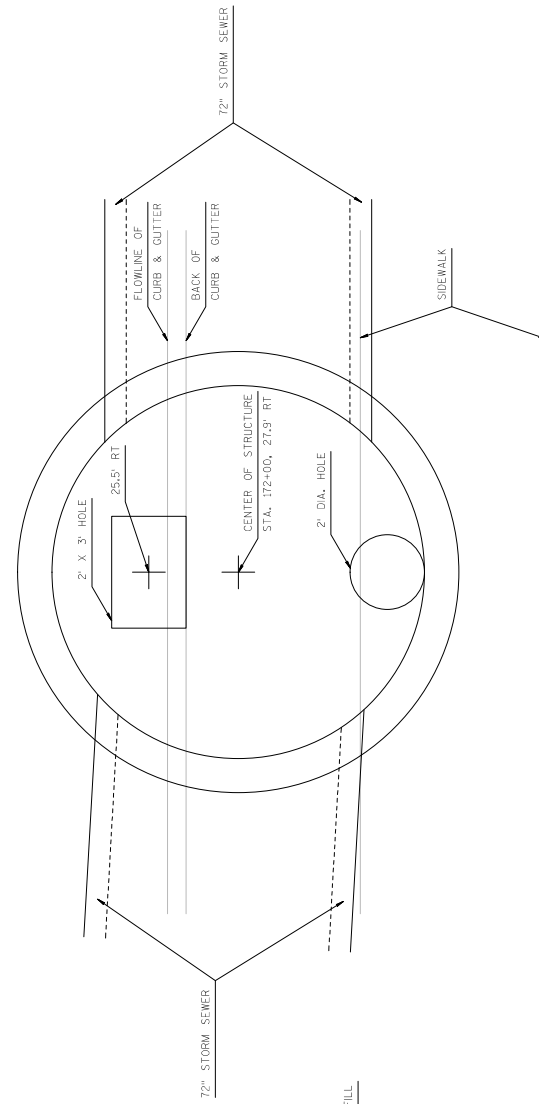
--- 2" ---

--- 12" ---

--- MAX ---

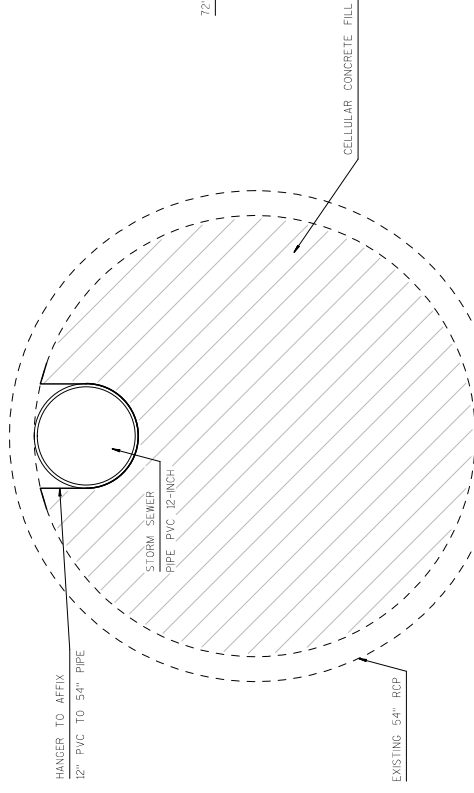
Addendum No. 01  
 ID 1500-37-71/72  
 ID 1500-47-71  
 ID 4570-12-71/72  
 Revised Sheet 40  
 December 3, 2018

--- MINI-STORM SEWER AND PRIVATE LATERAL CONNECTION DETAIL ---



DETAIL FOR CASTING LOCATION AT MH-142.0  
 STA. 172+00, 27.9' RT

Addendum No. 01  
 ID 1500-37-71/72  
 ID 1500-47-71  
 ID 4570-12-71/72  
 Revised Sheet 45  
 December 3, 2018



DETAIL FOR STORM SEWER PIPE PVC 12-INCH AFFIXED TO EXISTING SEWER  
 STA. 12+EG+67, 151' LT TO CB-126.1

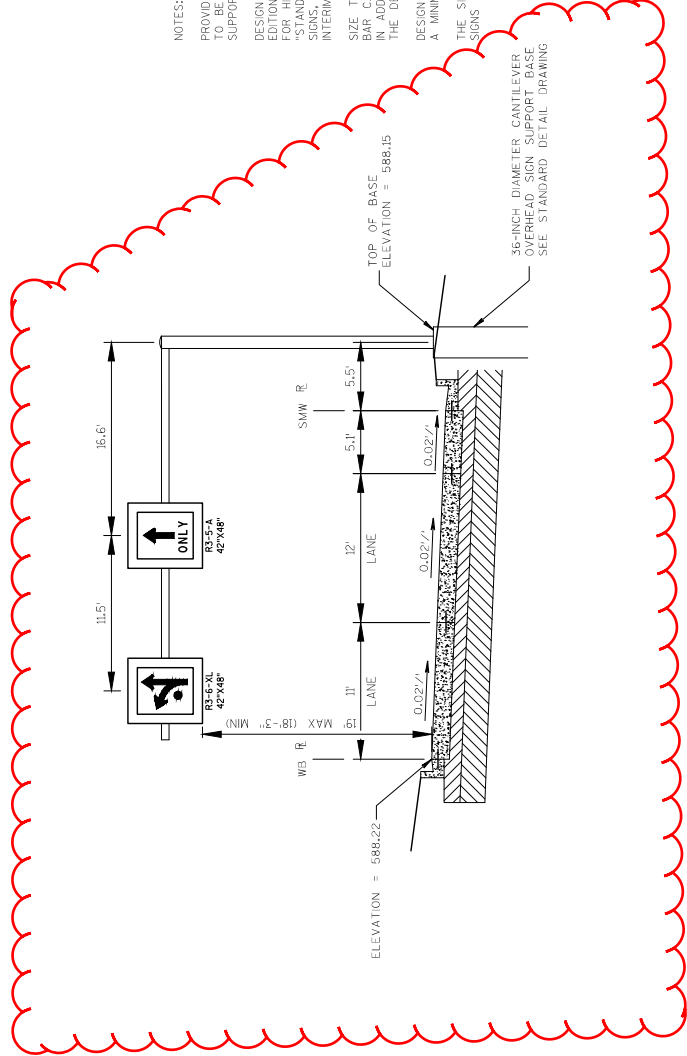
NOTE: CONNECTIONS TO PRIVATE LATERALS AND HANGERS NECESSARY TO ATTACH PVC PIPE TO EXISTING STORM SEWER ARE INCIDENTAL TO THE ITEM

PROJECT NO: 1500-37/47-71, 4570-12-71	HWY: USH 10/STH 42	COUNTY: MANITOWOC	CONSTRUCTION DETAILS	SHEET 45	E
FILE NAME : X:\PROJECTS\MANITOWOC\1500-37-00_4570-12-00\NDS\DRN\3D\5\FEETS\PLAN\CONSTRUCTION DETAIL-SWAL.DWG					
PLOT DATE : 11/28/2018 3:16 PM					
PLOT BY : ANDY BLOCK					
PLOT NAME : -----PLOT SCALE : 1:110.XREF					



NOTES:  
 PROVIDE AN IDENTIFICATION PLAQUE FOR OVERHEAD SIGN SUPPORTS, TO BE CONSIDERED INCIDENTAL TO THE BID ITEM "OVERHEAD SIGN SUPPORT".  
 DESIGN NEW OVERHEAD SIGN SUPPORTS ACCORDING TO THE LATEST EDITION OF THE STATE OF WISCONSIN "STANDARD SPECIFICATIONS FOR HIGHWAY CONSTRUCTION" AND THE FEDERAL AASHTO "STANDARD SPECIFICATIONS FOR STRUCTURAL SUPPORTS FOR HIGHWAY SIGNS, LUMINAIRES, AND TRAFFIC SIGNALS", 6TH ADDITION AND INTERIM REVISIONS, FATIGUE CATEGORY I.  
 SIZE THE ANCHOR ROD/TEMPLATE ASSEMBLY TO FIT WITHIN THE WIDTH OF THE ROADWAY TO BE SUPPORTED.  
 IN ADDITION TO MEETING ALL APPLICABLE DESIGN REQUIREMENTS FOR THE DESIGN OF THE UPRIGHT BASE CONNECTION.  
 DESIGN THE STRUCTURE BASE PLATE CONNECTION TO ACCOMMODATE A MINIMUM OF SIX (6) ANCHOR RODS.  
 THE SIGN STRUCTURES SHALL BE DESIGNED TO SUPPORT THE THE SIGNS SHOWN.

Addendum No. 01  
 ID 1500-37-71/72  
 ID 1500-47-71  
 ID 4570-12-71/72  
 Revised Sheet 48  
 December 3, 2018

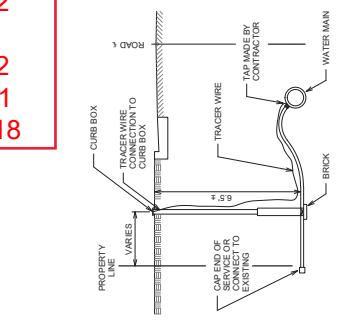


OVERHEAD SIGN SUPPORTS DETAIL (LOOKING SOUTHWEST)

S:36-0018  
 STA: 392+78+4  
 STH: 42 SE/MEVORIAL DRIVE

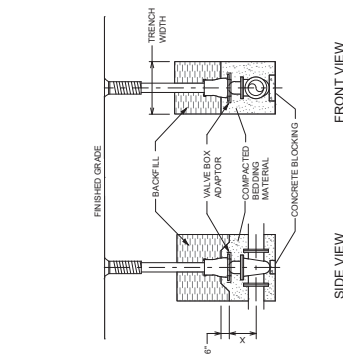
Addendum No. 01  
 ID 1500-37-71/72  
 ID 1500-47-71  
 ID 4570-12-71/72  
 Revised Sheet 51  
 December 3, 2018

2

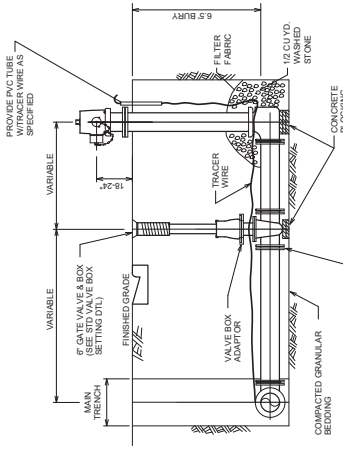


NOTE:  
 1. TAP WATER MAIN ON 45° WITH PIPE. MINIMUM SHALL BE 4 FEET.  
 2. WATER SERVICES SHALL BE POLYETHYLENE UNLESS SHOWN OTHERWISE.

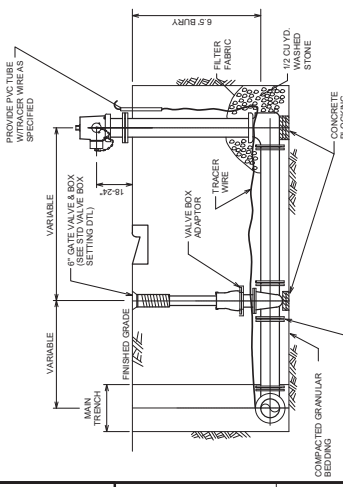
9 WATER SERVICE INSTALLATION  
 NOT TO SCALE



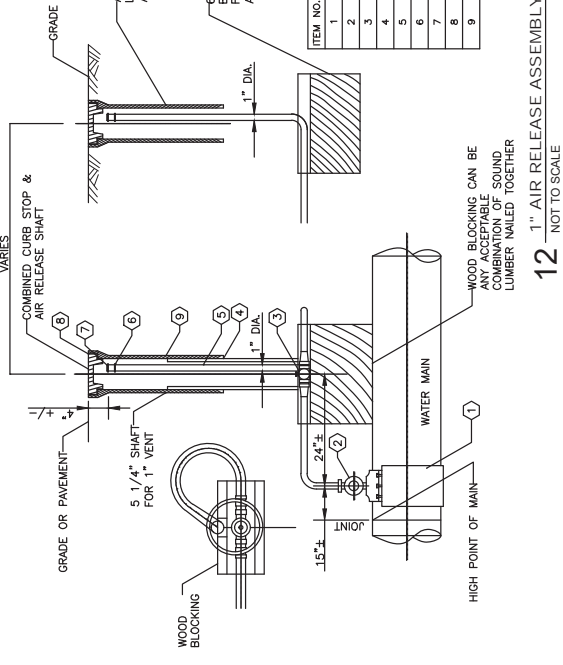
8 STANDARD VALVE BOX SETTING  
 NOT TO SCALE



7 STANDARD HYDRANT ASSEMBLY SIDE STREETS  
 NOT TO SCALE

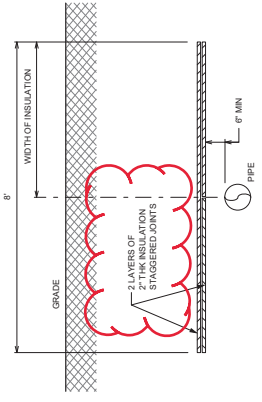


6 STANDARD HYDRANT ASSEMBLY WALDO BLVD  
 NOT TO SCALE

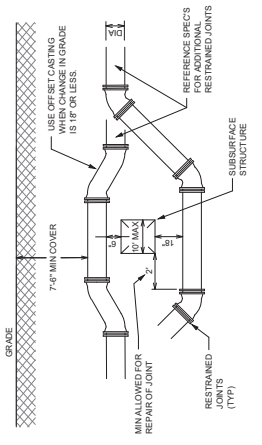


ITEM NO.	DESCRIPTION
1	STAINLESS STEEL SERVICE SADDLE (AS SPECIFIED)
2	CONCRETION STOP-MCDONALD
3	DRAIN STOP-MUELLER H-15214
4	TRANSITE PIPE-5" (1" VENT)
5	COPPER TUBE-TYPE K
6	CPLG.-COPPER TO O.D. IRON
7	BRASS PLUG
8	COVER-CAST IRON
9	VALVE BOX TOP SECTION-CAST IRON

12 1" AIR RELEASE ASSEMBLY  
 NOT TO SCALE

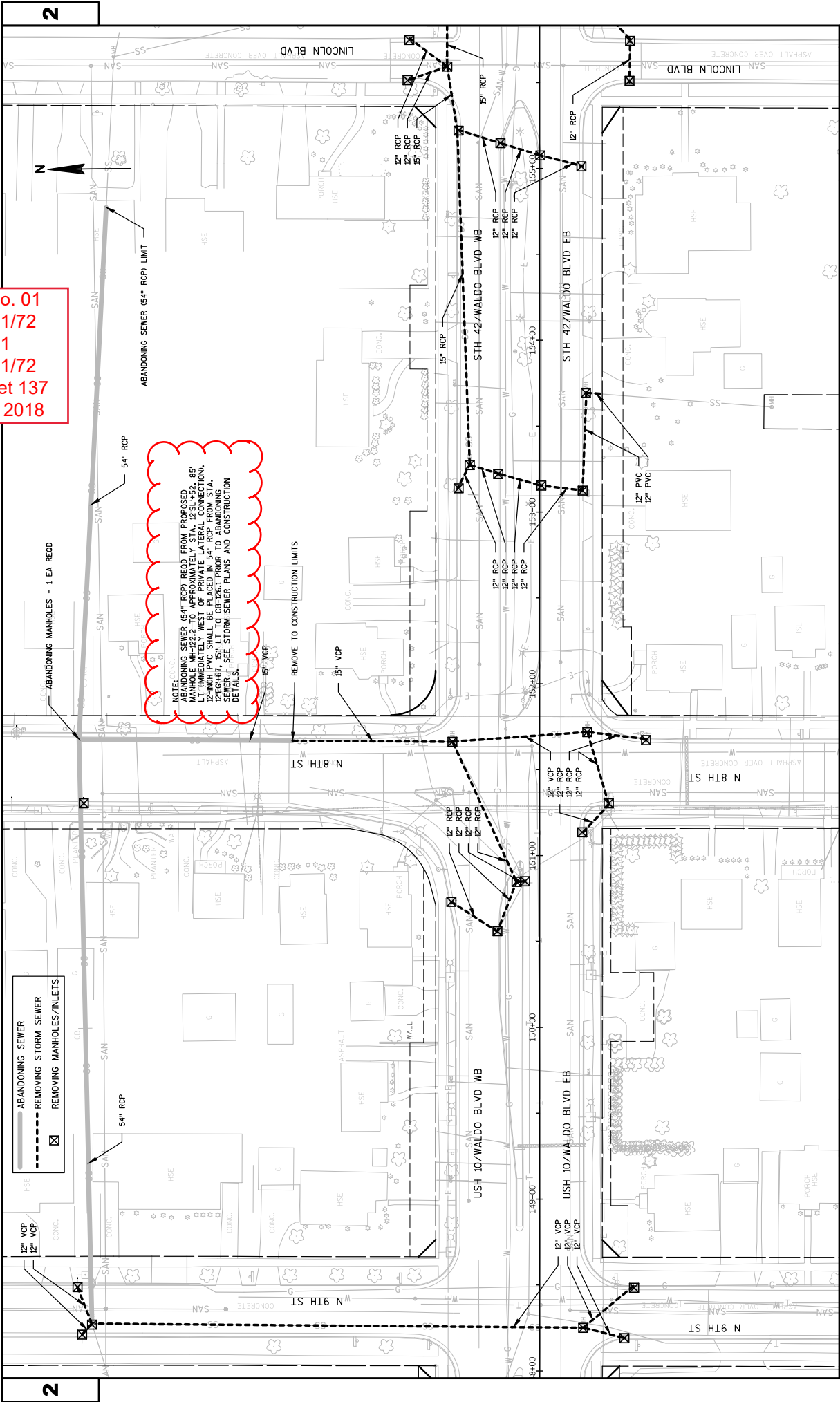


11 TRENCH INSULATION  
 NOT TO SCALE



10 OFFSET W/RESTRAINED JOINTS (WATER MAIN AND FORCE MAIN)  
 NOT TO SCALE

Addendum No. 01  
 ID 1500-37-71/72  
 ID 1500-47-71  
 ID 4570-12-71/72  
 Revised Sheet 137  
 December 3, 2018



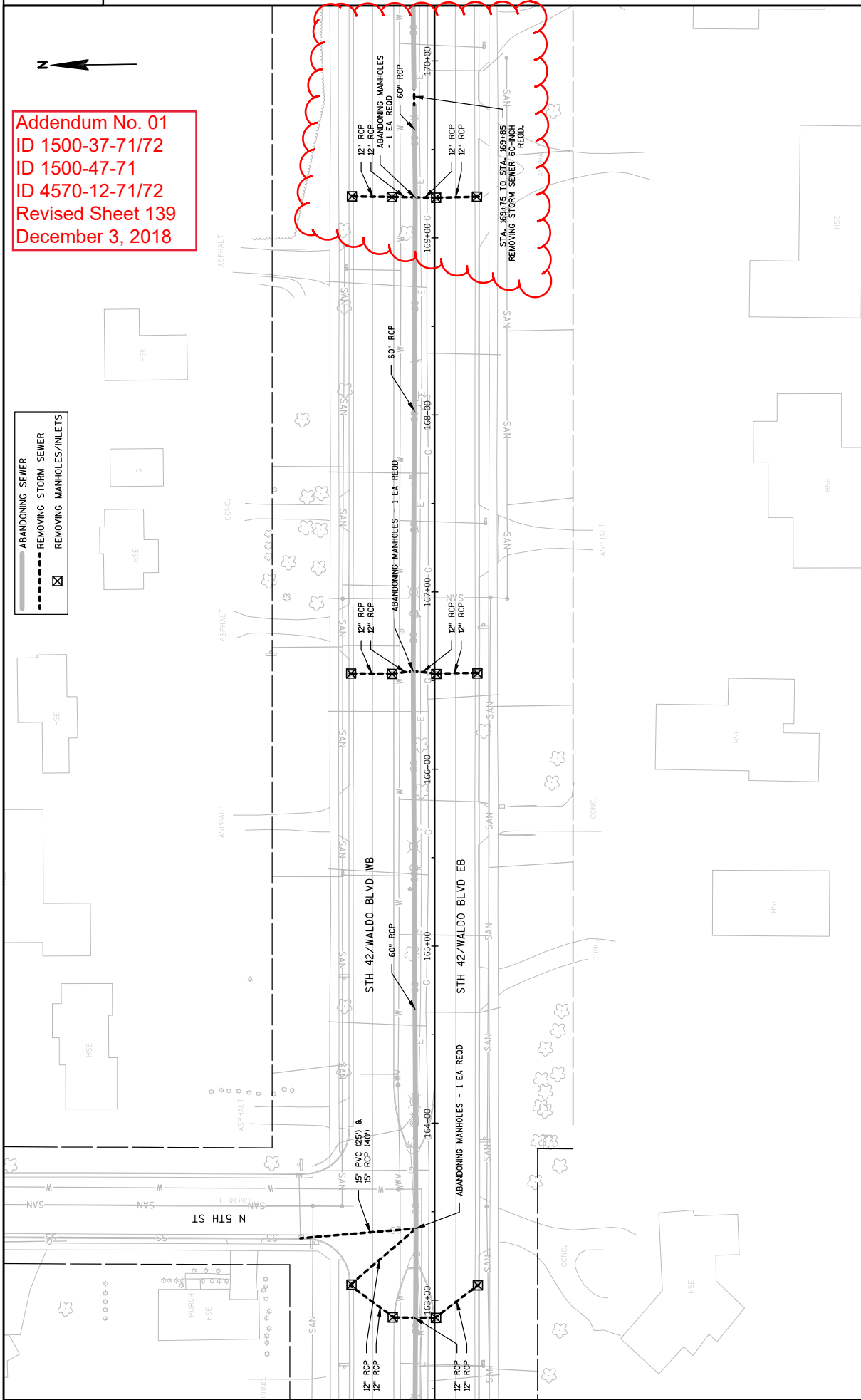
NOTE: CONCRETE  
 ABANDONING SEWER (54" RCP) FROM PROPOSED  
 MANHOLE MH-1222 TO APPROXIMATELY STA. 12+51.452, 85'  
 LT. IMMEDIATELY WEST OF PRIVATE LATERAL CONNECTION.  
 12" INCH PVC SHALL BE PLACED IN 54" RCP FROM STA.  
 12+51.452 TO THE PRIVATE LATERAL CONNECTION.  
 SEE STORM SEWER PLANS AND CONSTRUCTION  
 DETAILS.

ABANDONING SEWER  
 REMOVING STORM SEWER  
 REMOVING MANHOLES/INLETS

Addendum No. 01  
 ID 1500-37-71/72  
 ID 1500-47-71  
 ID 4570-12-71/72  
 Revised Sheet 139  
 December 3, 2018

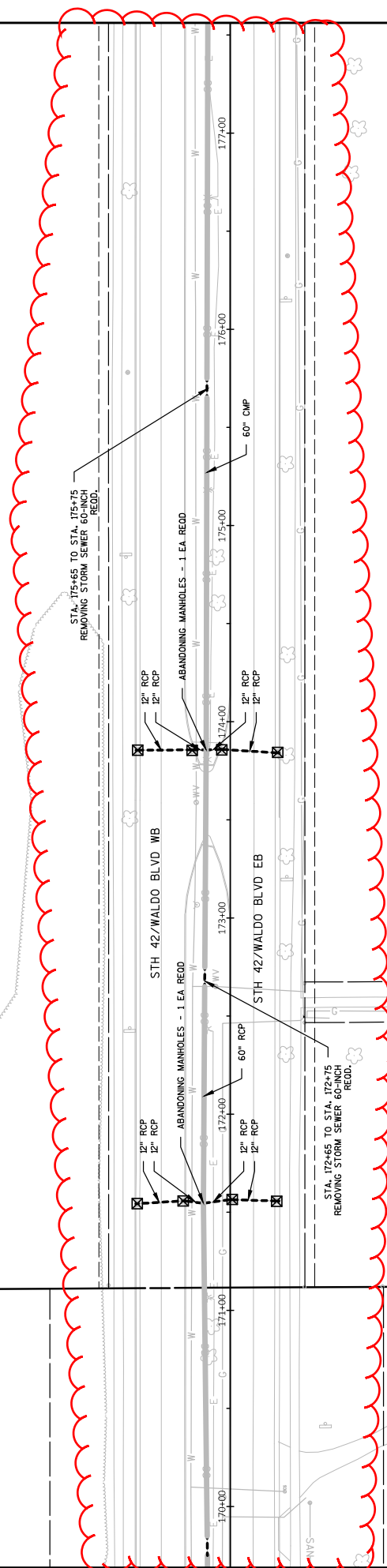


ABANDONING SEWER  
 REMOVING STORM SEWER  
 REMOVING MANHOLES/INLETS





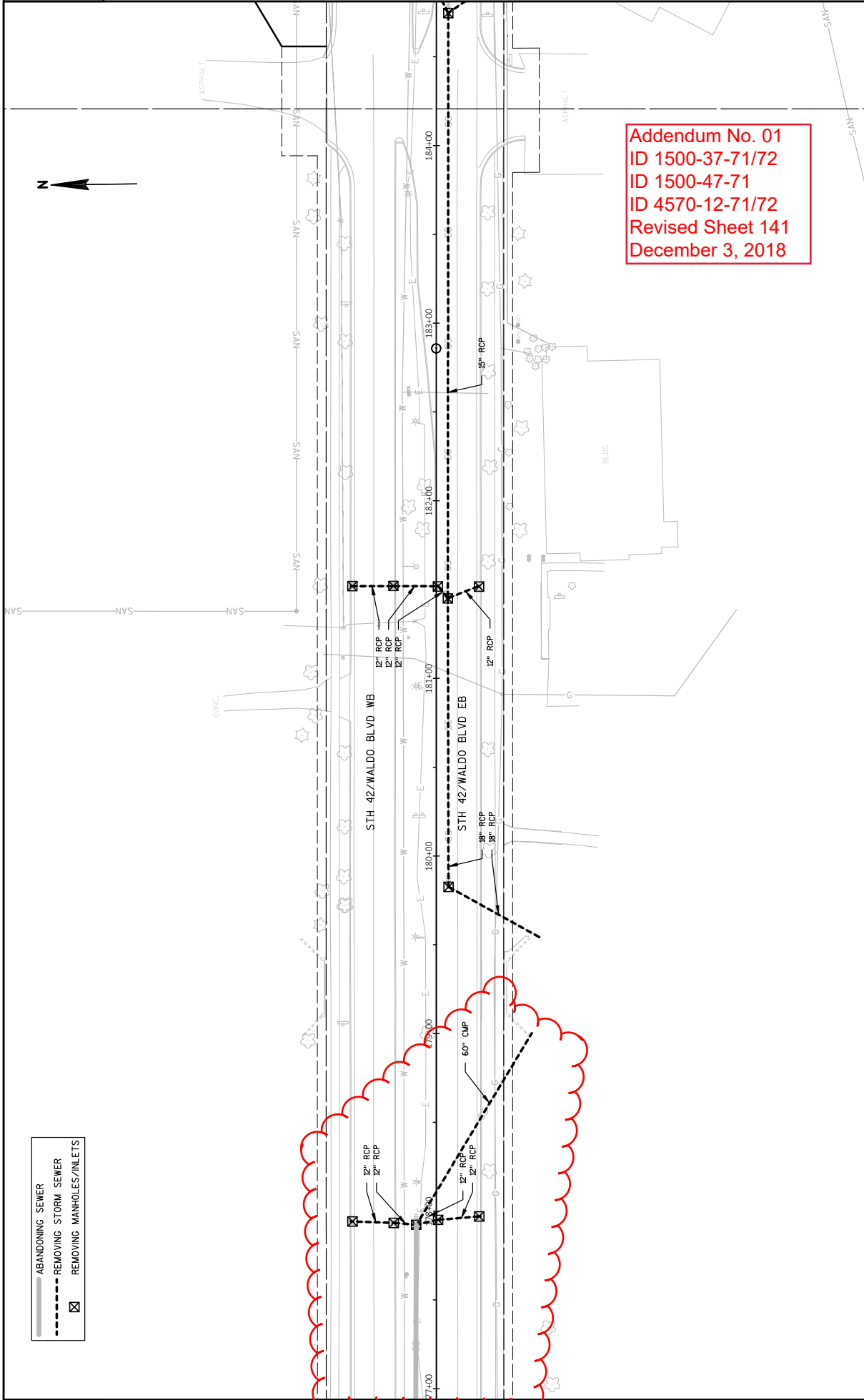
- ABANDONING SEWER
- - - REMOVING STORM SEWER
- ☒ REMOVING MANHOLES/INLETS



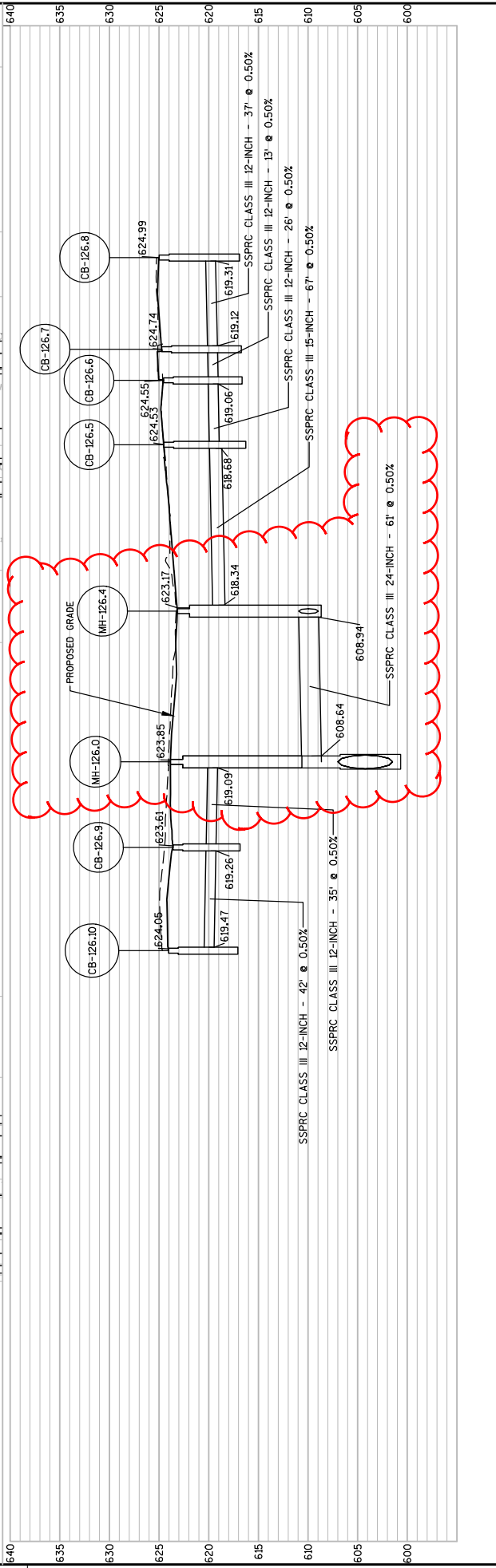
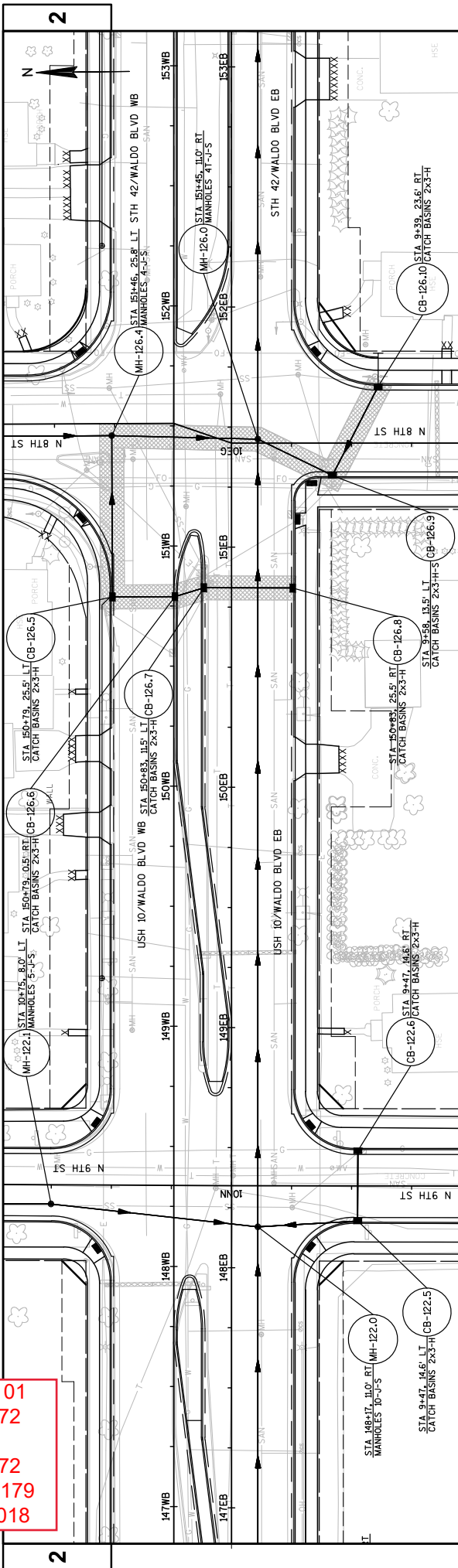
Addendum No. 01  
 ID 1500-37-71/72  
 ID 1500-47-71  
 ID 4570-12-71/72  
 Revised Sheet 140  
 December 3, 2018



- ABANDONING SEWER
- - - REMOVING STORM SEWER
- ☒ REMOVING MANHOLES/INLETS



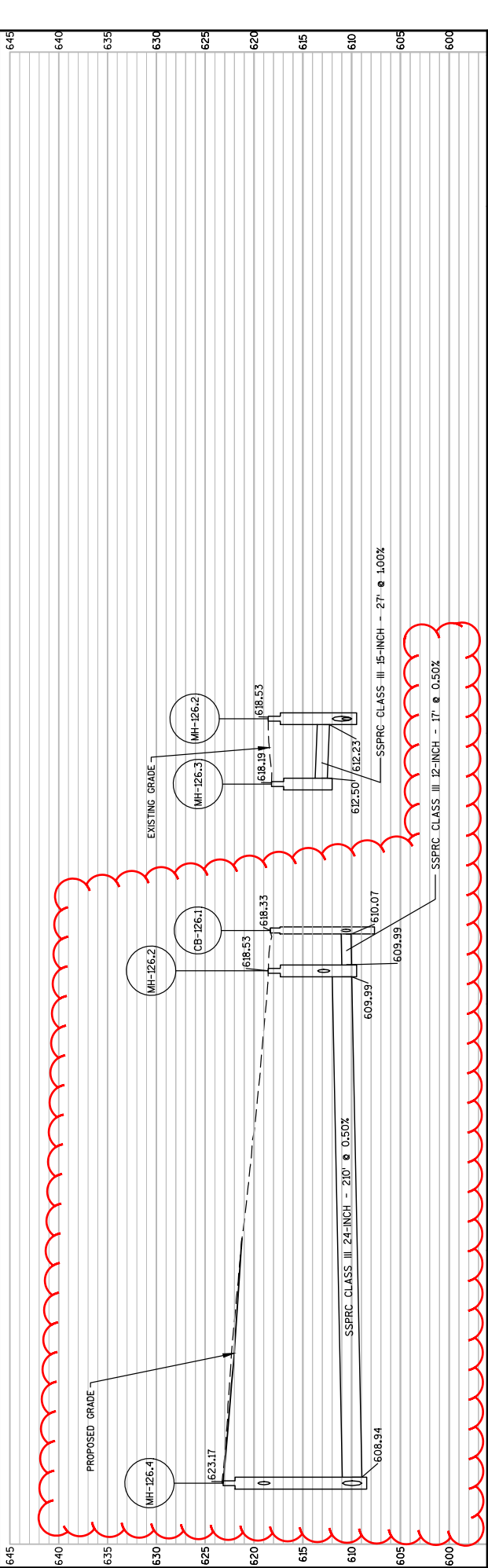
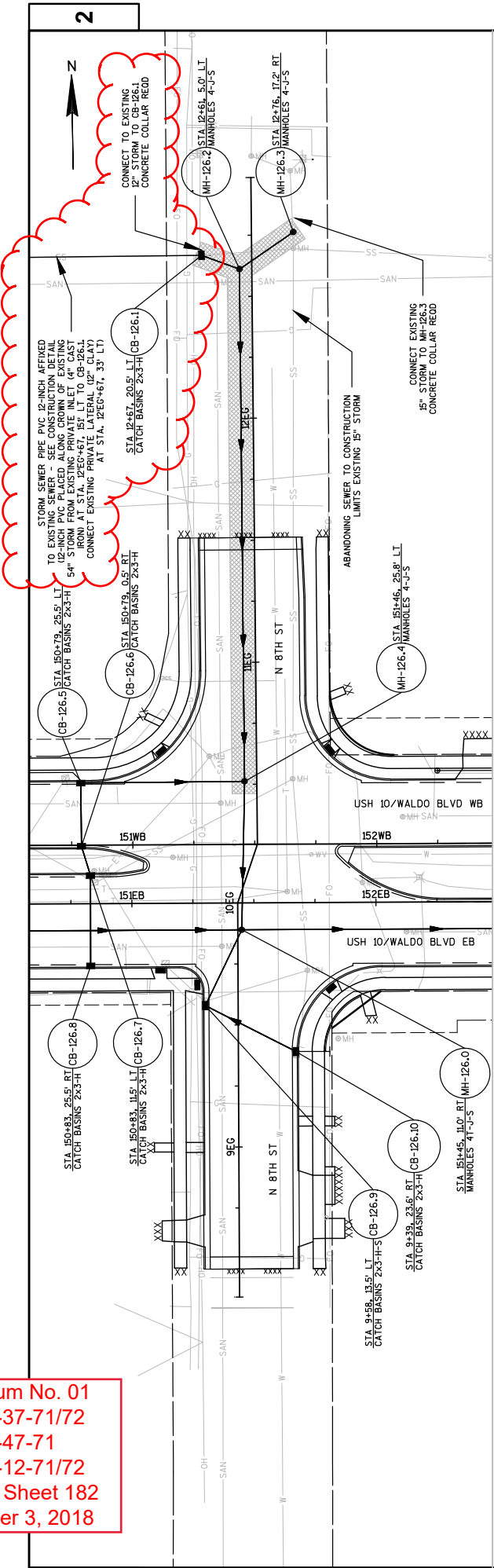
Addendum No. 01  
 ID 1500-37-71/72  
 ID 1500-47-71  
 ID 4570-12-71/72  
 Revised Sheet 141  
 December 3, 2018



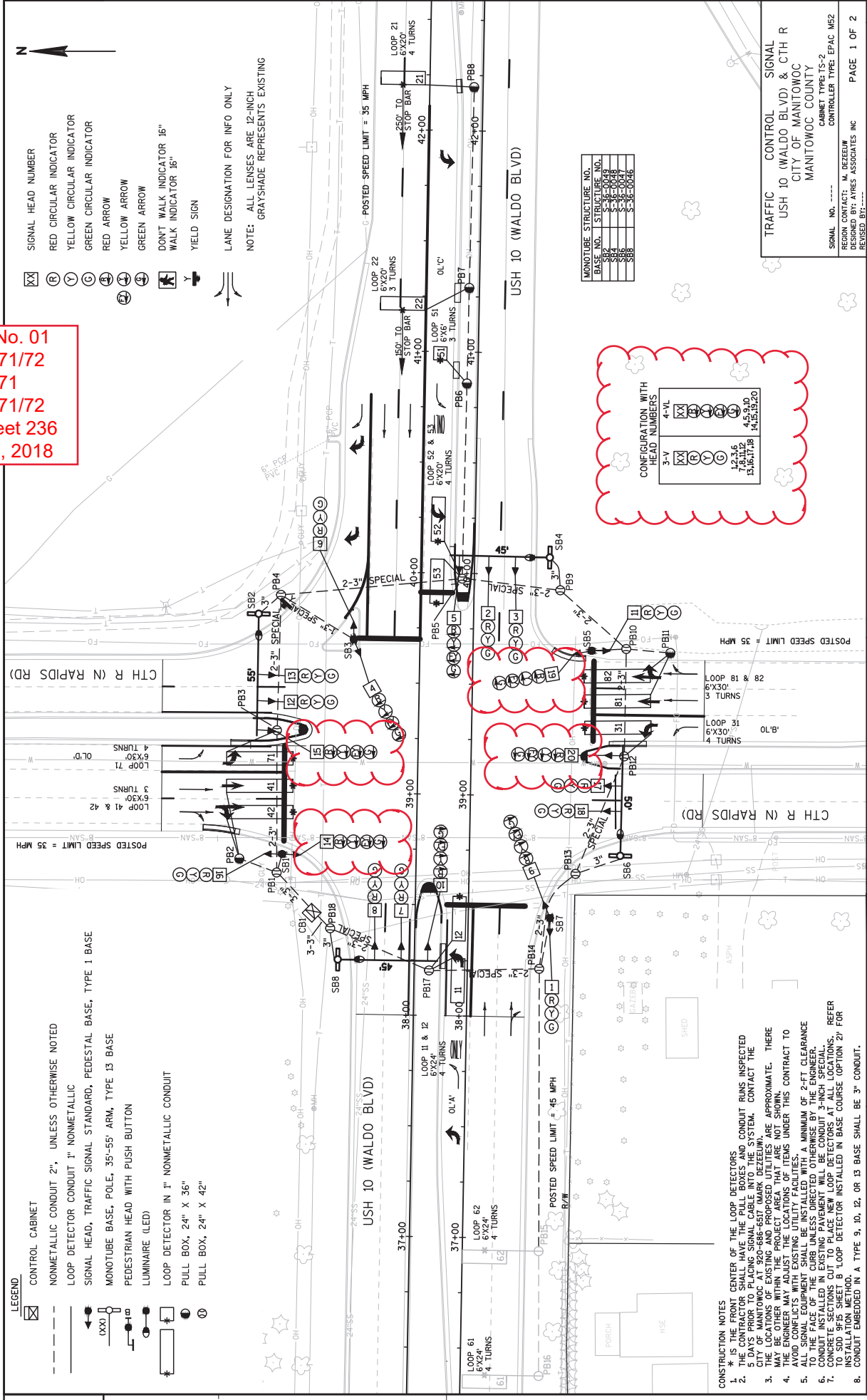
Addendum No. 01  
 ID 1500-37-71/72  
 ID 1500-47-71  
 ID 4570-12-71/72  
 Revised Sheet 179  
 December 3, 2018



Addendum No. 01  
 ID 1500-37-71/72  
 ID 1500-47-71  
 ID 4570-12-71/72  
 Revised Sheet 182  
 December 3, 2018







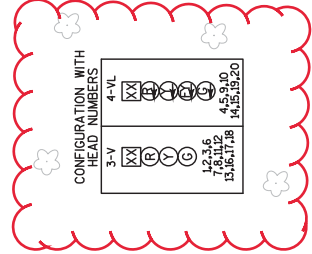
Addendum No. 01  
 ID 1500-37-71/72  
 ID 1500-47-71  
 ID 4570-12-71/72  
 Revised Sheet 236  
 December 3, 2018

- LEGEND**
- ☒ CONTROL CABINET
  - NONMETALLIC CONDUIT 2", UNLESS OTHERWISE NOTED
  - LOOP DETECTOR CONDUIT 1" NONMETALLIC
  - ← SIGNAL HEAD, TRAFFIC SIGNAL STANDARD, PEDESTAL BASE, TYPE 1 BASE
  - (XX) MONOTUBE BASE, POLE, 35'-55" ARM, TYPE 13 BASE
  - ⊙ PEDESTRIAN HEAD WITH PUSH BUTTON
  - ⊙ LUMINAIRE (LED)
  - ⊙ LOOP DETECTOR IN 1" NONMETALLIC CONDUIT
  - ⊙ PULL BOX, 24" X 36"
  - ⊙ PULL BOX, 24" X 42"

- XX SIGNAL HEAD NUMBER
- ⊙ RED CIRCULAR INDICATOR
- ⊙ YELLOW CIRCULAR INDICATOR
- ⊙ GREEN CIRCULAR INDICATOR
- ⊙ RED ARROW
- ⊙ YELLOW ARROW
- ⊙ GREEN ARROW
- ⊙ DON'T WALK INDICATOR 16"
- ⊙ WALK INDICATOR 16"
- ⊙ YIELD SIGN

LANE DESIGNATION FOR INFO ONLY  
 NOTE: ALL LENSES ARE 12-INCH  
 GRAYSHADE REPRESENTS EXISTING

MONOTUBE STRUCTURE NO.	BASE NO.	TYPE	DATE
SB2	3-18-0048		
SB3	3-18-0048		
SB4	3-18-0048		
SB5	3-18-0048		
SB6	3-18-0048		
SB7	3-18-0048		
SB8	3-18-0048		



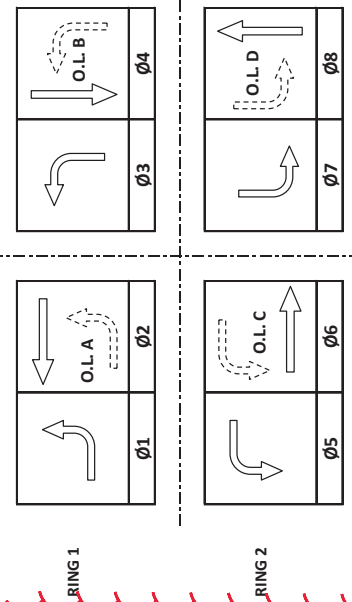
- CONSTRUCTION NOTES**
- \* IS THE FRONT CENTER OF THE LOOP DETECTORS
  - THE CONTRACTOR SHALL HAVE THE PULL BOXES AND CONDUIT RUNS INSPECTED 5 DAYS PRIOR TO PLACING THE SIGNAL CABLE INTO THE SYSTEM. CONTACT THE CITY OF MANITOWOC AT 920-686-6517 (MARK DEZEEUW), BE APPROXIMATE. THERE MAY BE OTHER WITHIN THE PROJECT AREA THAT ARE NOT SHOWN.
  - THE ENGINEER MAY ADJUST THE LOCATIONS OF ITEMS UNDER THIS CONTRACT TO AVOID CONFLICTS WITH EXISTING UTILITY FACILITIES.
  - ALL THE WORK TO BE DONE SHALL BE MINIMUM OF 5'-0" CLEARANCE TO THE FACE OF THE CURB LINES UNLESS DIRECTED OTHERWISE BY THE ENGINEER.
  - CONDUIT INSTALLED IN EXISTING PAVEMENT WILL BE CONDUIT 3-INCH SPECIAL. CONCRETE SECTIONS CUT TO PLACE NEW LOOP DETECTORS AT ALL LOCATIONS. REFER TO SD0 9F15 SHEET B "LOOP DETECTOR INSTALLED IN BASE COURSE (OPTION 2)" FOR CONDUIT EMBEDDED IN A TYPE 9, 10, 12, OR 13 BASE SHALL BE 3" CONDUIT.

TRAFFIC CONTROL SIGNAL  
 USH 10 (WALDO BLVD) & CTH R  
 CITY OF MANITOWOC  
 MANITOWOC COUNTY

SIGNAL NO. ----  
 REGION CONTACT: M. DEZEEUW  
 DESIGNED BY: AYRES ASSOCIATES INC  
 CONTROLLER TYPE: EPAC M52  
 CABINET TYPES: 2  
 PAGE 1 OF 2  
 REVISIONS BY: ----

Addendum No. 01  
 ID 1500-37-71/72  
 ID 1500-47-71  
 ID 4570-12-71/72  
 Revised Sheet 237  
 December 3, 2018

HEAD NUMBERS	F	L	A	S	H
Ø1					
Ø2					
Ø3					
Ø4					
Ø5					
Ø6					
Ø7					
Ø8					
Ø2P					
Ø4P					
Ø6P					
Ø8P					
OLA					
OLB					
OLC					
OLD					



PHASE NUMBER	PHASE LOCKING	DUAL ENTRY W / Ø	PHASE RECALL	PHASE ACTIVE
1		6		X
2	X	6	MIN	X
3		8		X
4		8		X
5		2		X
6	X	2	MIN	X
7		4		X
8		4		X

TYPE OF INTERCONNECT / COMMUNICATION	
NONE	X
CLOSED LOOP	
TWISTED PAIR	
FIBEROPTIC*	
FIBEROPTIC (ETHERNET)	
RADIO	
CELL MODEM	

TYPE OF COORDINATION	
NONE	
TIC	X
TRAFFIC RESPONSIVE	
ADAPTIVE	
*LOCATION OF MASTER	S-
CONTROLLER NO:	SS-
SIGNAL SYSTEM NO:	

TYPE OF LIGHTING	
BY OTHER AGENCY	
IN TRAFFIC CABINET	X
IN SEPARATE DOT LIGHTING CABINET	

TYPE OF PRE-EMPT	
NONE	X
RAILROAD	
EMERGENCY VEHICLE	
3M	
TOWBAR	
HARDWARE	
OTHER	
LIFT BRIDGE	
QUEUE DETECTION	

**DETECTOR LOGIC**

DETECTOR INPUT	3	1	7	5	11	9	15	13
PLAN LOOP DETECTOR*(S)	11	21	31	41	51	61	71	81
ASSIGNED PHASE	1	2	3	4	5	6	7	8
OPERATION MODE	VEH	VEH	VEH	VEH	VEH	VEH	VEH	VEH
SWITCH	X	X	X	X	X	X	X	X
EXTEND TIME								
DELAY								
USE ADDED INITIAL								

DETECTOR INPUT	4	2	8	6	12	10	16	14
PLAN LOOP DETECTOR*(S)	12	22	42	53	52	62		
ASSIGNED PHASE	1	2	4	5	6			
OPERATION MODE	VEH	VEH	VEH	VEH	VEH	VEH		
SWITCH	X	X	X	X	X	X		
EXTEND TIME								
DELAY								
USE ADDED INITIAL								

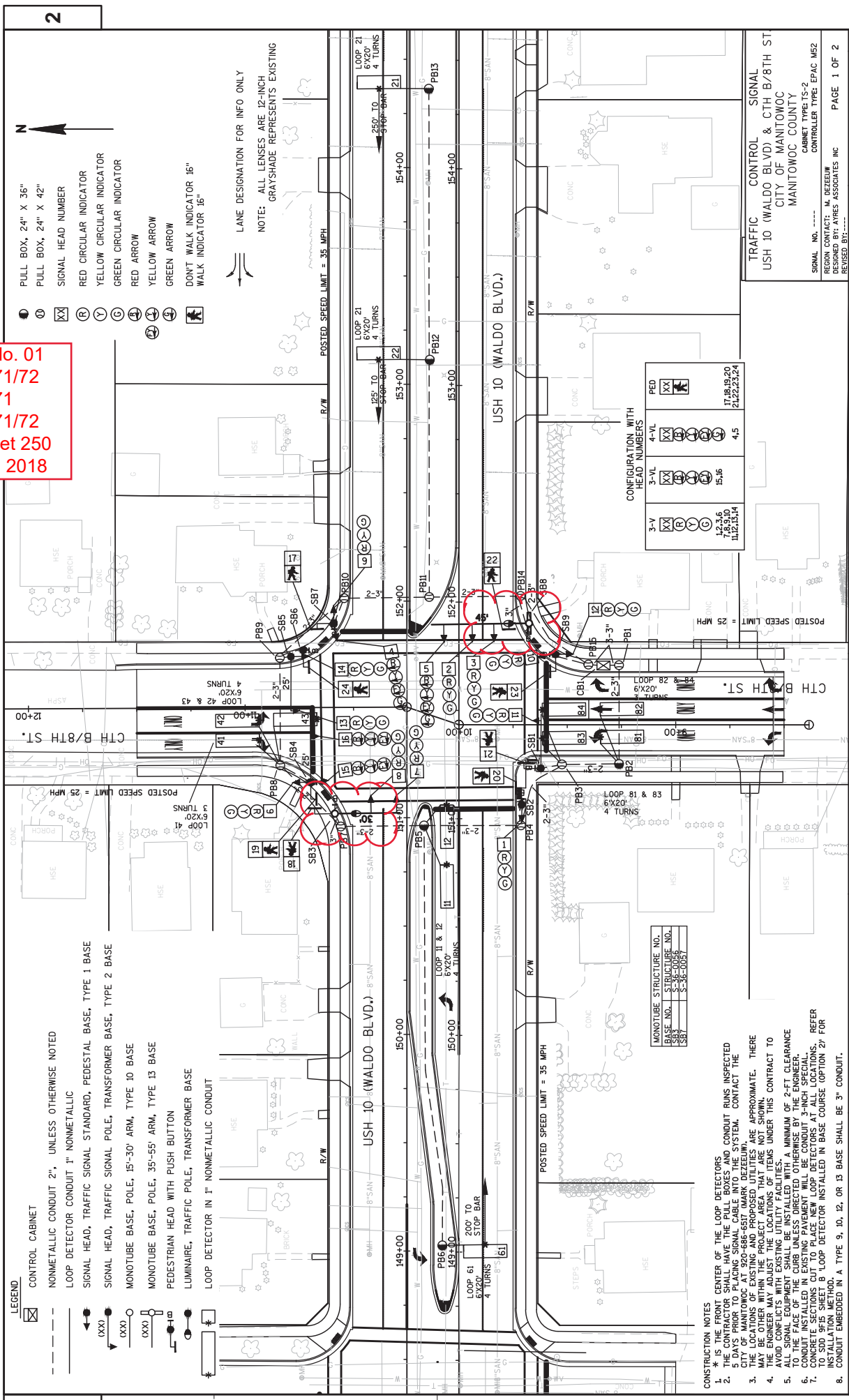
DETECTOR INPUT	19	17	23	21	27	25	31	29
PLAN LOOP DETECTOR*(S)	82							
ASSIGNED PHASE	8							
OPERATION MODE	VEH							
SWITCH	X							
EXTEND TIME								
DELAY								
USE ADDED INITIAL								

DETECTOR INPUT	20	18	24	22	28	26	32	30
PLAN LOOP DETECTOR*(S)								
ASSIGNED PHASE								
OPERATION MODE								
SWITCH								
EXTEND TIME								
DELAY								
USE ADDED INITIAL								

GENERAL NOTES:  
 1. ANY ACTUATED PHASE FOR WHICH THERE IS NO CALL SHALL BE SKIPPED.

USH 10/STH 42 & CTH R (RAPIDS AVE)	
CITY OF MANITOWOC	
MANITOWOC COUNTY	
SIGNAL NO:	N/A
CABINET TYPE:	TS2
CONTROLLER TYPE:	PRC-102
DATE:	11/18
PAGE NO.	2 OF 2
SHEET NO.	237

Addendum No. 01  
 ID 1500-37-71/72  
 ID 1500-47-71  
 ID 4570-12-71/72  
 Revised Sheet 250  
 December 3, 2018



- LEGEND**
- ☒ CONTROL CABINET
  - NONMETALLIC CONDUIT 2", UNLESS OTHERWISE NOTED
  - SIGNAL HEAD, TRAFFIC SIGNAL STANDARD, PEDESTAL BASE, TYPE 1 BASE
  - SIGNAL HEAD, TRAFFIC SIGNAL POLE, TRANSFORMER BASE, TYPE 2 BASE
  - MONOTUBE BASE, POLE, 15'-30" ARM, TYPE 10 BASE
  - MONOTUBE BASE, POLE, 35'-55" ARM, TYPE 13 BASE
  - PEDESTRIAN HEAD WITH PUSH BUTTON
  - LUMINAIRE, TRAFFIC POLE, TRANSFORMER BASE
  - LOOP DETECTOR IN 1" NONMETALLIC CONDUIT

NOTE: ALL LENSES ARE 12-INCH GRAYSHADE REPRESENTS EXISTING

LANE DESIGNATION FOR INFO ONLY

BASE NO.	MONOTUBE STRUCTURE NO.	STRUCTURE NO.
SB1	3-3-0059	3-3-0059
SB2	3-3-0059	3-3-0059
SB3	3-3-0059	3-3-0059

- CONSTRUCTION NOTES**
1. \* IS THE FRONT CENTER OF THE LOOP DETECTORS
  2. THE CONTRACTOR SHALL HAVE THE PULL BOXES AND CONDUIT RUNS INSPECTED 5 DAYS PRIOR TO PLACING SIGNAL CABLE INTO THE SYSTEM. CONTACT THE CITY OF MANITOWOC AT 920-686-6557 (MARK DEZEEUW), BE APPROXIMATE. THERE MAY BE OTHER WITHIN THE PROJECT AREA THAT ARE NOT SHOWN.
  3. THE ENGINEER MAY ADJUST THE LOCATIONS OF ITEMS UNDER THIS CONTRACT TO AVOID CONFLICTS WITH EXISTING UTILITY FACILITIES.
  4. ALL THE WORK TO BE DONE SHALL BE AS DIRECTED OTHERWISE BY THE ENGINEER. THE CONTRACTOR SHALL BE RESPONSIBLE FOR OBTAINING ALL NECESSARY PERMITS AND CLEARANCES.
  5. CONDUIT INSTALLED IN EXISTING PAVEMENT WILL BE CONDUIT 3-INCH SPECIAL.
  6. TO 500 SF/S SHEET B 'LOOP DETECTOR' DETECTORS AT ALL LOCATIONS. REFER TO 500 SF/S SHEET B 'LOOP DETECTOR' DETECTORS IN BASE COURSE (OPTION 2)' FOR CONDUIT EMBEDDED IN A TYPE 9, 10, 12, OR 13 BASE SHALL BE 3" CONDUIT.

**CONFIGURATION WITH HEAD NUMBERS**

3-Y	3-VL	4-VL	FED
XX	XX	XX	XX
(R)	(R)	(R)	(R)
(Y)	(Y)	(Y)	(Y)
(G)	(G)	(G)	(G)
(A)	(A)	(A)	(A)
(B)	(B)	(B)	(B)
(C)	(C)	(C)	(C)
(D)	(D)	(D)	(D)
(E)	(E)	(E)	(E)
(F)	(F)	(F)	(F)
(G)	(G)	(G)	(G)
(H)	(H)	(H)	(H)
(I)	(I)	(I)	(I)
(J)	(J)	(J)	(J)
(K)	(K)	(K)	(K)
(L)	(L)	(L)	(L)
(M)	(M)	(M)	(M)
(N)	(N)	(N)	(N)
(O)	(O)	(O)	(O)
(P)	(P)	(P)	(P)
(Q)	(Q)	(Q)	(Q)
(R)	(R)	(R)	(R)
(S)	(S)	(S)	(S)
(T)	(T)	(T)	(T)
(U)	(U)	(U)	(U)
(V)	(V)	(V)	(V)
(W)	(W)	(W)	(W)
(X)	(X)	(X)	(X)
(Y)	(Y)	(Y)	(Y)
(Z)	(Z)	(Z)	(Z)

TRAFFIC CONTROL SIGNAL  
 USH 10 (WALDO BLVD) & CTH B/8TH ST.  
 CITY OF MANITOWOC  
 MANITOWOC COUNTY

SIGNAL NO. ----  
 REGION CONTACT: M. DEZEEUW  
 DESIGNED BY: AYRES ASSOCIATES INC  
 REVISIONS BY: ----

CABINET TYPES: 2  
 CONTROLLER TYPE: EPAC M52

PAGE 1 OF 2

Addendum No. 01  
 ID 1500-37-71/72  
 ID 1500-47-71  
 ID 4570-12-71/72  
 Revised Sheet 339  
 December 3, 2018

REMOVING AND ABANDONING STORM SEWER CONT.  
 (NOTE: LOCATION PROVIDED TYPICALLY REFERS TO UPSTREAM STRUCTURE OR REMOVAL LIMIT)

D	STATION	OFFSET (FT)	LOCATION	204.0210 REMOVING MANHOLES	204.0220 REMOVING INLETS	204.0245.01 REMOVING STORM SEWER 12-INCH OR LESS	204.0245.02 REMOVING STORM SEWER 15-INCH	204.0245.03 REMOVING STORM SEWER 18-INCH	204.0245.04 REMOVING STORM SEWER 21-INCH	204.0245.05 REMOVING STORM SEWER 24-INCH	204.0245.06 REMOVING STORM SEWER 36-INCH	204.0245.07 REMOVING STORM SEWER 42-INCH	204.0245.08 REMOVING STORM SEWER 48-INCH	204.0245.09 REMOVING STORM SEWER 60-INCH	204.0245.10 REMOVING STORM SEWER 72-INCH	204.0250 ABANDONING MANHOLES	204.0280 SEALING PPES	204.0291 S ABANDONING SEWER
				EA	EA	LF	LF	LF	LF	LF	LT	LF	LF	LF	LF	EA	EA	CY
	162+90	23.1	LT	1			31											
	163+08	48.1	LT	1			50											
	163+09	24.8	RT	1			31											
	163+35	75.9	LT				66											
	163+41	10.7	LT															230
	166+54	48.1	LT			25												
	166+54	23.3	LT	1	11													
	166+54	0.1	LT		12													
	166+54	24.7	RT		25													
	166+55	12.2	LT															195
	169+23	23.3	LT			12												
	169+23	11.1	LT															
	169+23	40.9	LT		18													160
	169+23	0.9	RT		14													
	169+23	24.8	RT		24													
	171+54	48.1	LT			25												
	171+55	13.7	LT															
	171+56	23.1	LT		10													160
	171+56	0	RT		14													
	171+56	24.7	RT		25													
	173+84	24.9	RT			30												
	173+85	48	LT		30													
	173+86	12.3	LT															
	173+86	5	LT		8													280
	173+86	18.6	LT		6													
	177+92	11.3	LT											130				
	177+93	23.3	LT	1	12													
	177+94	48.1	LT		25													
	177+95	0.1	RT		12													
	177+97	24.9	RT		25													
	179+83	6.9	LT					59										
	181+45	6.5	LT					163										
	181+52	23.7	RT		19													
	181+52	0.8	RT		9													
	181+52	24.4	LT		25													
	181+52	46.2	LT		24													
	184+75	6.7	RT		330													
	184+87	14.7	LT		15													
	184+87	0.5	RT		14													
	184+87	23.7	RT		21													
	184+88	57.6	LT		43													
	184+89	76.4	LT		18													
	189+00	12.6	RT		30													
	189+06	81	RT		34													

ALL ITEMS ARE CATEGORY 0010 UNLESS OTHERWISE STATED

REMOVING AND ABANDONING STORM SEWER CONT.  
(NOTE: LOCATION PROVIDED TYPICALLY REFERS TO UPSTREAM STRUCTURE OR REMOVAL LIMIT)

D.	STATION	OFFSET (FT)	LOCATION	204.0210 REMOVING MANHOLES	EA	204.0220 REMOVING INLETS	EA	204.0245.01 REMOVING STORM SEWER 12-INCH OR LESS	LF	204.0245.02 REMOVING STORM SEWER 15-INCH	LF	204.0245.03 REMOVING STORM SEWER 18-INCH	LF	204.0245.04 REMOVING STORM SEWER 21-INCH	LF	204.0245.05 REMOVING STORM SEWER 24-INCH	LF	204.0245.06 REMOVING STORM SEWER 36-INCH	LI	204.0245.07 REMOVING STORM SEWER 42-INCH	LF	204.0245.08 REMOVING STORM SEWER 48-INCH	LF	204.0245.09 REMOVING STORM SEWER 60-INCH	LF	204.0245.10 REMOVING STORM SEWER 72-INCH	LF	204.0250 ABANDONING MANHOLES	EA	204.0280 SEALING FRSES	EA	204.0291.S* ABANDONING SEWER	CY			
	189+19	34	RT	STH 42	***	1	***	30	***	***	***	***	***	***	***	***	***	***	***	***	***	***	***	***	***	***	***	***	***	***	***	***	***	***		
	189+30	62.1	RT	STH 42	***	1	***	92	***	***	***	***	***	***	***	***	***	***	***	***	***	***	***	***	***	***	***	***	***	***	***	***	***	***		
	189+90	66	RT	STH 42	***	1	***	71	***	***	***	***	***	***	***	***	***	***	***	***	***	***	***	***	***	***	***	***	***	***	***	***	***	***	***	
	189+92	20.0	RT	STH 42	***	1	***	25	***	***	***	***	***	***	***	***	***	***	***	***	***	***	***	***	***	***	***	***	***	***	***	***	***	***	***	***
	190+03	102	RT	STH 42	***	1	***	34	***	***	***	***	***	***	***	***	***	***	***	***	***	***	***	***	***	***	***	***	***	***	***	***	***	***	***	***
	190+08	2.7	RT	STH 42	***	1	***	74	***	***	***	***	***	***	***	***	***	***	***	***	***	***	***	***	***	***	***	***	***	***	***	***	***	***	***	***
	190+19	74.9	RT	STH 42	***	1	***	52	***	***	***	***	***	***	***	***	***	***	***	***	***	***	***	***	***	***	***	***	***	***	***	***	***	***	***	***
	190+21	74.3	RT	STH 42	***	1	***	***	***	***	***	***	***	***	***	75	***	***	***	***	***	***	***	***	***	***	***	***	***	***	***	***	***	***	***	***
	190+23	116	RT	STH 42	***	1	***	25	***	***	***	***	***	***	***	***	***	***	***	***	***	***	***	***	***	***	***	***	***	***	***	***	***	***	***	***
	190+44	81.5	RT	STH 42	1	***	***	***	***	***	***	***	***	***	***	85	***	***	***	***	***	***	***	***	***	***	***	***	***	***	***	***	***	***	***	***
	190+66	13.2	LT	STH 42	***	1	***	56	***	***	***	***	***	***	***	***	***	***	***	***	***	***	***	***	***	***	***	***	***	***	***	***	***	***	***	***
	192+25	33.8	LT	STH 42	1	***	***	124	***	***	***	***	***	***	***	***	***	***	***	***	***	***	***	***	***	***	***	***	***	***	***	***	***	***	***	***
	192+59	69.7	LT	STH 42	***	1	***	48	***	***	***	***	***	***	***	***	***	***	***	***	***	***	***	***	***	***	***	***	***	***	***	***	***	***	***	***
	192+92	0	LT	STH 42	***	1	***	72	***	***	***	***	***	***	***	***	***	***	***	***	***	***	***	***	***	***	***	***	***	***	***	***	***	***	***	***
	192+95	62.9	LT	STH 42	***	1	***	30	***	***	***	***	***	***	***	***	***	***	***	***	***	***	***	***	***	***	***	***	***	***	***	***	***	***	***	***
	PROJECT TOTALS				11	71	2096	903	222	0	160	0	0	0	0	0	0	0	0	0	0	0	0	0	0	0	0	7	0	0	1575	0	0	0		
	TOTALS				94	242	9050	3405	3305	1595	535	730	165	220	160	8	3	1975	0	0	0	0	0	0	0	0	0	0	0	0	0	0	0	0	0	0

\*-ADDITIONAL QUANTITIES SHOWN ELSEWHERE

Addendum No. 01 ID  
1500-37-71/72 ID  
1500-47-71 ID  
4570-12-71/72  
Revised Sheet 340  
December 3, 2018

ALL ITEMS ARE CATEGORY 0010 UNLESS OTHERWISE STATED

SHEET NO: 340

MISCELLANEOUS QUANTITIES

COUNTY: MANITOWOC

HWY: USH 10 & STH 42

PROJECT NUMBER: 1500-47-37-71&4570-12-71

CONCRETE COLLARS FOR PFE

ID	STRUCT.	STA.	OFFSET*	LOCATION	EA	REMARKS
PROJECT 1500-47-71						
1		45+01	55.5' LT	WB	1	CONNECT EXISTING 6" STORM SEWER WITH CONCRETE COLLAR
3		45+21	5.0' LT	EB	3	CONNECT EXISTING 15", 15" & 21" CONCRETE STORM SEWER WITH CONCRETE COLLAR
PROJECT TOTAL					4	
PROJECT 1500-37-71						
MH-18.0		70+03	6' RT	USH 10 EB	1	CONNECT EXISTING 15" STORM SEWER TO MH-18.0 WITH CONCRETE COLLAR
MH-24.3		72+25	99.2' RT	USH 10 EB	2	CONNECT EXISTING 10" & 8" STORM SEWER TO MH-24.3 WITH CONCRETE COLLAR
CB-26.4		73+16	25.5' RT	USH 10 EB	1	CONNECT EXISTING 12" STORM SEWER TO CB-26.4 WITH CONCRETE COLLAR
CB-48.2		10+87	27.5' RT	N, 23RD STREET	1	CONNECT EXISTING 15" STORM SEWER TO CB-48.2 WITH CONCRETE COLLAR
MH-66.5		09+57	22.2' RT	SB PARK ROW BLVD.	1	CONNECT EXISTING 12" STORM SEWER TO MH-66.5 WITH CONCRETE COLLAR
MH-78.0		10+76	7.7' RT	N 18TH ST	1	CONNECT EXISTING 24" STORM SEWER TO MH-78.0 WITH CONCRETE COLLAR
MH-80.0		09+30	6.2' RT	N 18TH ST	1	CONNECT EXISTING 12" STORM SEWER TO MH-80.0 WITH CONCRETE COLLAR
MH-105.0		10+90	13.5' RT	MENASHA AVE	1	CONNECT EXISTING 42" STORM SEWER TO MH-105.0 WITH CONCRETE COLLAR
MH-108.1		136+42	80' RT	USH 10 EB	1	CONNECT EXISTING 24" STORM SEWER TO MH-108.1 WITH CONCRETE COLLAR
MH-114.3		10+90	12.3' RT	N 11TH ST	1	CONNECT EXISTING 12" STORM SEWER TO MH-114.3 WITH CONCRETE COLLAR
MH-114.7		09+47	10.4' RT	N 11TH ST	1	CONNECT EXISTING 36" STORM SEWER TO MH-114.7 WITH CONCRETE COLLAR
CB-120.6		09+47	16.5' RT	N, 10TH STREET	1	CONNECT EXISTING 12" STORM LATERAL TO CB-120.6 WITH CONCRETE COLLAR
MH-122.2		12+61	8' RT	N, 9TH STREET	2	CONNECT EXISTING 48" AND 24" STORM SEWER TO MH-122.2 WITH CONCRETE COLLAR
CB-126.1		12+61	20.5' RT	N 8TH ST	1	CONNECT EXISTING 12" STORM SEWER TO CB-126.1 WITH CONCRETE COLLAR
MH-126.3		12+76	17.2' RT	N 8TH ST	1	CONNECT EXISTING 15" STORM SEWER TO MH-126.3 WITH CONCRETE COLLAR
PROJECT TOTAL					17	
PROJECT 4570-12-71						
CB-128.4		153+70	25.5' RT	STH 42 NB	1	CONNECT EXISTING 12" STORM SEWER TO CB-128.4 WITH CONCRETE COLLAR
MH-132.2		156+03	79.2' RT	STH 42 NB	1	CONNECT EXISTING 60" STORM SEWER TO MH-132.2 WITH CONCRETE COLLAR
MH-134.2		10+72	8.8' LT	N 6TH ST	1	CONNECT EXISTING 12" STORM SEWER TO MH-134.2 WITH CONCRETE COLLAR
CB-134.8		9+49	14.5' LT	N 6TH ST	1	CONNECT EXISTING 6" STORM SEWER TO CB-134.8 WITH CONCRETE COLLAR
CB-164.5		164+87	25.5' RT	STH 42 NB	1	CONNECT EXISTING 4" STORM SEWER TO CB-164.5 WITH CONCRETE COLLAR
PROJECT TOTAL					5	
TOTAL					26	

Addendum No. 01  
 ID 1500-37-71/72  
 ID 1500-47-71  
 ID 4570-12-71/72  
 Revised Sheet 354  
 December 3, 2018

ALL ITEMS ARE CATEGORY 0010 UNLESS OTHERWISE STATED

MISCELLANEOUS QUANTITIES

COUNTY: MANITOWOC

HWY: USH 10 & STH 42

PROJECT NUMBER: 1500-47,37-71&4570-12-71

SHEET NO: 354 E











Addendum No. 01  
 ID 1500-37-71/72  
 ID 1500-47-71  
 ID 4570-12-71/72  
 Revised Sheet 373  
 December 3, 2018

STORM SEWER MANHOLES AND MANHOLE COVERS CONT.

ID	STRUCTURE	STA.	OFFSET*	LOCATION	MANHOLE COVERS		MANHOLES		MANHOLES		MANHOLES		MANHOLES		MANHOLES		CONSTRUCTION	INVERT**	DEPTH**		
					MANHOLE COVERS	BOLTED	MANHOLE COVERS	MANHOLES	MANHOLES	MANHOLES	MANHOLES	MANHOLES	MANHOLES	MANHOLES	MANHOLES	MANHOLES				MANHOLES	MANHOLES
					EA	EA	EA	EA	EA	EA	EA	EA	EA	EA	EA	EA	EA	ELEV.	EA	EA	
PROJECT 1500-37-71 CONT.																					
					611.0535	SPV.0060.03	611.2004	611.2005	611.2006	611.2007	611.2008	611.2504	SPV.0060.08	SPV.0060.09	650.4000****						
					MANHOLE TYPE	MANHOLE COVERS	MANHOLES	MANHOLES	MANHOLES	MANHOLES	MANHOLES	MANHOLES	MANHOLES	MANHOLES	MANHOLES	MANHOLES	MANHOLES	MANHOLES	MANHOLES	MANHOLES	MANHOLES
					LS	BOLTED	4-FT DIA.	5-FT DIA.	6-FT DIA.	7-FT DIA.	8-FT DIA.	4-FT DIA.	10-FT DIA.	9.5X16-FT SPECIAL	STORM SEWER	CONSTRUCTION	CONSTRUCTION	CONSTRUCTION	CONSTRUCTION	CONSTRUCTION	
					EA	EA	EA	EA	EA	EA	EA	EA	EA	EA	EA	EA	EA	ELEV.	ELEV.	DEPTH	DEPTH
MH-100.0		130+89	11' RT	USH 10 EB	1													630.51	621.90	7.71	
MH-102.0		133+43	10.9' RT	USH 10 EB	1													627.33	619.05	7.37	
MH-104.0		134+08	11' RT	USH 10 EB	1													626.49	618.24	7.34	
MH-105.0		10+90	13.5' RT	MEMASHA AVE	1													624.76	616.45	7.49	
MH-106.0		135+77	11' RT	USH 10 EB	1													624.27	615.22	8.31	
MH-108.0		136+41	11' RT	USH 10 EB	1													623.56	614.74	8.08	
MH-108.1		10+80	10.4' LT	N. 12TH ST.	1													622.82	617.16	4.67	
MH-110.0		136+24	11' RT	USH 10 EB	1													622.13	613.37	8.02	
MH-112.0		141+02	11' RT	USH 10 EB	1													620.34	611.30	8.31	
MH-114.0		141+45	11' RT	USH 10 EB	1													620.37	610.98	8.69	
MH-114.3		10+90	12.3' LT	N. 11TH ST.	1													620.03	613.84	5.16	
MH-114.7		9+47	10.4' LT	N. 11TH ST.	1													620.39	613.65	5.84	
MH-116.0		142+19	11' RT	USH 10 EB	1													621.11	610.39	10.02	
MH-118.0		143+75	11' RT	USH 10 EB	1													622.53	609.13	12.15	
MH-120.0		145+66	11' RT	USH 10 EB	1													624.82	607.60	15.98	
MH-122.0		148+17	11' RT	USH 10 EB	1													629.68	604.76	24.21	
MH-122.1		10+75	8' LT	N. 9TH ST.	1													629.32	605.71	22.65	
MH-122.2		12+61	8' LT	N. 9TH ST.	1													626.51	607.57	17.99	
MH-126.0		151+45	11' RT	USH 10 EB	1													623.85	601.48	21.12	
MH-126.2		12+61	5' LT	N. 8TH ST.	1													618.53	609.99	7.55	
MH-126.3		12+76	17.2' RT	N. 8TH ST.	1													618.19	612.50	4.64	
MH-126.4		151+46	25.8' LT	USH 10 WB	1													623.17	608.94	13.24	
PROJECT TOTALS					52	2	21	20	1	1	4	3	5	0	55						
PROJECT 4570-12-71																					
MH-128.0		153+70	11' RT	STH 42 NB	1													615.45	599.23	14.97	
MH-130.0		155+00	11' RT	STH 42 NB	1													609.68	597.93	11.05	
MH-132.0		155+99	11' RT	STH 42 NB	1													607.56	593.88	13.01	
MH-132.2		10+79	17.5' LT	E LINCOLN BLVD.	1													608.29	592.06	14.99	
MH-134.0		159+24	11' RT	STH 42 NB	1													602.13	591.77	9.71	
MH-134.2		10+72	8.8' LT	N. 6TH ST.	1													602.16	596.30	4.80	
MH-136.0		162+90	11' RT	STH 42 NB	1													599.13	588.48	10.00	
MH-138.0		166+00	11' RT	STH 42 NB	1													596.82	586.35	9.81	
MH-140.0		169+00	11' RT	STH 42 NB	1													594.24	584.30	9.29	
MH-142.0		172+00	27.9' RT	STH 42 NB	1													591.88	582.24	8.98	
MH-144.0		174+35	27.9' RT	STH 42 NB	1													589.76	580.63	8.48	

ALL ITEMS ARE CATEGORY 0010 UNLESS OTHERWISE STATED

MISCELLANEOUS QUANTITIES

COUNTY: MANITOWOC

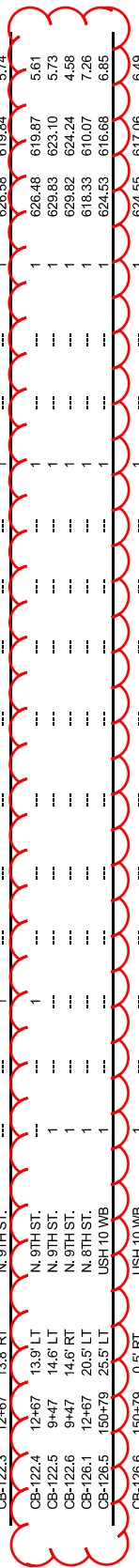
HWY: USH 10 & STH 42

SHEET NO: 373

Addendum No. 01  
 ID 1500-37-71/72  
 ID 1500-47-71  
 ID 4570-12-71/72  
 Revised Sheet 380  
 December 3, 2018

STORM SEWER CATCH BASINS & INLETS AND COVERS CONT.

ID	STRUCT.	STA.	OFFSET*	LOCATION	611.0624 611.0630 611.0639 611.0642 611.0652 SPV.0060.01 SPV.0060.02				611.004 611.005 611.006 611.0230				611.3901		650.4000****		RIM ELEV.	INVERT** ELEV.	DEPTH*** FT.		
					H	HM-GJ	H-S	MS	T	DW	BH	EA	EA	EA	EA	EA				EA	EA
PROJECT 1500-37-71 CONT.					INLET COVERS TYPE				CATCH BASINS				INLETS		CONSTR. STAKING						
					4-FT	5-FT	6-FT	2x3-FT	3-FT	3-FT	3-FT	3-FT	3-FT	3-FT	3-FT	3-FT	3-FT	3-FT	3-FT	3-FT	
					DIA.	DIA.	DIA.	DIA.	DIA.	DIA.	DIA.	DIA.	DIA.	DIA.	DIA.	DIA.	DIA.	DIA.	DIA.	DIA.	
CB-116.1		142+08	25.5' LT	USH 10 WB	1													620.65	614.06	5.59	
CB-116.2		142+19	7.5' LT	USH 10 EB	1													620.74	613.84	5.90	
CB-116.3		142+19	1.4' LT	USH 10 EB	1													620.87	613.81	6.06	
CB-116.4		142+19	25.5' RT	USH 10 EB	1													620.78	614.20	5.58	
CB-118.1		143+75	25.5' LT	USH 10 WB	1													622.14	615.55	5.59	
CB-118.2		143+75	7.5' LT	USH 10 EB	1													622.01	615.34	5.67	
CB-118.3		143+75	0.5' LT	USH 10 EB	1													622.30	615.30	5.99	
CB-118.4		143+75	25.5' RT	USH 10 EB	1													622.20	615.64	5.56	
CB-120.1		145+70	25.5' LT	USH 10 WB	1													624.57	617.89	5.68	
CB-120.2		145+70	6.5' LT	USH 10 EB	1													624.50	617.68	5.82	
CB-120.3		145+70	0.5' LT	USH 10 EB	1													624.66	617.65	6.01	
CB-120.4		145+65	25.5' RT	USH 10 EB	1													624.80	614.56	9.23	
CB-120.5		9+49	16.7' RT	N. 10TH ST.														623.83	614.75	8.08	
CB-120.6		9+47	16.5' LT	N. 10TH ST.														624.03	614.92	8.12	
CB-122.3		12+67	13.8' RT	N. 9TH ST.														626.58	619.84	5.74	
CB-122.4		12+67	13.9' LT	N. 9TH ST.														626.48	619.87	5.61	
CB-122.5		9+47	14.6' LT	N. 9TH ST.														629.83	623.10	5.73	
CB-122.6		9+47	14.6' RT	N. 9TH ST.														629.82	624.24	4.58	
CB-126.1		12+67	20.5' LT	N. 8TH ST.														616.33	610.07	7.26	
CB-126.5		150+79	25.5' LT	USH 10 WB	1													624.53	616.68	6.85	
CB-126.6		150+79	0.5' RT	USH 10 WB	1													624.55	617.06	6.49	
CB-126.7		150+83	11.5' LT	USH 10 EB	1													624.74	617.12	6.61	
CB-126.8		150+83	25.5' RT	USH 10 EB	1													624.99	617.31	6.68	
CB-126.9		9+58	13.5' LT	N. 8TH ST.														623.61	617.26	5.35	
CB-126.10		9+39	23.6' RT	N. 8TH ST.														624.05	617.47	5.58	
PROJECT TOTALS					165	0	54	0	0	0	2	14	1	0	203	2	0	220			



PROJECT 4570-12-71

CB-128.1		153+69	25.5' LT	STH 42 SB	1													614.40	607.82	5.58
CB-128.2		153+69	0.5' RT	STH 42 SB	1													614.46	607.69	5.77
CB-128.3		153+70	0.5' LT	STH 42 NB	1													615.20	607.58	6.62
CB-128.4		153+70	25.5' RT	STH 42 NB	1													615.14	608.56	5.58
CB-130.1		10+66	12.1' RT	W. LINCOLN BLVD.	1													607.25	600.64	5.60
CB-130.2		10+77	12' LT	W. LINCOLN BLVD.														607.25	600.51	5.74
CB-130.3		155+21	25.5' LT	STH 42 SB	1													608.27	600.31	6.96
CB-130.4		155+00	0.5' RT	STH 42 SB	1													608.94	600.14	7.80

ALL ITEMS ARE CATEGORY 0010 UNLESS OTHERWISE STATED

MINI STORM SEWER

612.0902.S INSULATION BOARD		SPV.0090.05		SPV.0090.06	
POLYSTYRENE 2-INCH		CLEANOUT EA		8-INCH LF	
ID	LOCATION	SY	EA	LF	LF
PROJECT 1500-37-72					
94+08 - 94+85		38	1	85	---
94+04 - 95+10		49	1	110	---
95+60		5	---	10	---
95+60		5	---	10	---
96+15 - 98+60		111	1	250	---
98+60 - 98+78		11	---	25	---
96+65 - 98+60		89	1	200	---
98+60		5	---	10	---
99+76 - 101+80		100	1	225	---
21ST ST.		18	---	40	---
103+44 - 104+56		60	1	135	---
105+35 - 106+13		36	1	80	---
PARK ROW BLVD.		7	---	15	---
107+25		12	---	25	---
PARK ROW BLVD.		7	---	15	---
108+44		87	1	195	---
ELM ST.		7	---	15	---
111+00 - 112+73		78	1	175	---
113+40 - 115+11		78	1	175	---
115+70 - 117+70		89	1	200	---
18TH ST.		40	---	90	---
119+51 - 120+51		45	1	100	---
119+77 - 120+50		34	1	75	---
120+86 - 121+60		34	1	75	---
120+90 - 121+61		34	1	75	---
17TH ST.		7	---	15	---
122+87 - 125+10		112	1	250	---
123+61 - 125+11		76	1	170	---
16TH ST.		16	---	20	15
126+42 - 127+75		65	1	145	---
126+53 - 127+75		68	1	150	---
15TH ST.		12	---	25	---
14TH ST.		7	---	15	---
131+70 - 133+43		89	1	200	---
134+45 - 135+77		60	1	135	---
137+20 - 138+24		47	1	105	---
137+30 - 138+33		49	1	110	---
139+00 - 140+90		87	1	195	---
139+00 - 140+89		87	1	195	---
141+98 - 143+00		47	1	105	---
143+75		7	---	15	---
10TH ST.		23	---	35	15

PROJECT 1500-37-72

MINI STORM SEWER CONT.

612.0902.S INSULATION BOARD		SPV.0060.10		SPV.0090.05		SPV.0090.06	
POLYSTYRENE 2-INCH		CLEANOUT EA		6-INCH LF		8-INCH LF	
ID	LOCATION	SY	EA	LF	LF	LF	LF
PROJECT 1500-37-72 CONT.							
149+20 - 150+79		72	1	160	---	---	---
8TH ST.		7	---	15	---	---	---
PROJECT TOTALS							
2017		27	4470	30			
PROJECT 4570-12-72							
152+25 - 153+69		65	1	145	---	---	---
LINCOLN BLVD.		43	---	95	---	---	---
157+75 - 158+25		67	1	150	---	---	---
158+00 - 159+44		65	1	145	---	---	---
6TH ST.		18	---	40	---	---	---
161+50 - 162+90		63	1	140	---	---	---
161+60 - 163+08		67	1	150	---	---	---
164+75 - 166+00		58	1	130	---	---	---
165+05 - 166+00		54	1	120	---	---	---
167+00 - 169+02		92	---	205	---	---	---
167+50 - 169+00		76	---	170	---	---	---
171+55 - 172+00		25	---	55	---	---	---
PROJECT TOTALS							
693		6	1545	0			

PROJECT 1500-37-72 CONT.

PROJECT 4570-12-72

CONCRETE CAP OVER SANITARY SEWER

ID	STATION	OFFSET	LOCATION	SPV.0060.11 EA
PROJECT 4570-12-71				
	159+85	11' RT	EB	1
TOTAL				1

TOTALS 2710 33 6015 30

Addendum No. 01  
ID 1500-37-71/72  
ID 1500-47-71  
ID 4570-12-71/72  
Revised Sheet 385  
December 3, 2018

ALL ITEMS ARE CATEGORY 0010 UNLESS OTHERWISE STATED

MISCELLANEOUS QUANTITIES

COUNTY: MANITOWOC

HWY: USH 10 & STH 42

PROJECT NUMBER: 1500-47-37-71&4570-12-71

SHEET NO: 385

E

CONCRETE MEDIAN NOSES

ID	STATION	LOCATION	620.0300 CONCRETE MEDIAN SLOPED NOSE SF	416.0610 * DRILLED TIE BARS EACH	COMMENTS
<b>PROJECT 1500-47-71</b>					
46+95		USH 10, EB	80	5	TYPE 1
47+60		USH 10, EB	74	5	TYPE 1
50+43		USH 10, EB	82	5	TYPE 1
53+60		USH 10, EB	76	5	TYPE 1
54+40		USH 10, EB	85	5	TYPE 1
PROJECT TOTALS					
57+80		USH 10, EB	77	5	TYPE 1
63+10		USH 10, EB	75	5	TYPE 1
63+90		USH 10, EB	76	5	TYPE 1
10+76		CTHR	40	5	TYPE 1
PROJECT TOTALS					
665				45	
<b>PROJECT 1500-37-71</b>					
71+90		USH 10, EB	34	-	TYPE 1
72+90		USH 10, EB	40	-	TYPE 1
93+05		USH 10, EB	27	-	TYPE 1
93+90		USH 10, EB	36	-	TYPE 1
99+05		USH 10, EB	40	-	TYPE 1
PROJECT TOTALS					
99+70		USH 10, EB	40	-	TYPE 1
102+60		USH 10, EB	36	-	TYPE 1
103+40		USH 10, EB	34	-	TYPE 1
106+25		USH 10, EB	40	-	TYPE 1
106+85		USH 10, EB	40	-	TYPE 1
107+35		USH 10, EB	43	-	TYPE 1
107+85		USH 10, EB	41	-	TYPE 1
109+65		USH 10, EB	40	-	TYPE 1
110+25		USH 10, EB	40	-	TYPE 1
117+66		USH 10, EB	13	-	TYPE 1
118+80		USH 10, EB	13	-	TYPE 1
121+70		USH 10, EB	25	-	TYPE 1
122+35		USH 10, EB	31	-	TYPE 1
125+20		USH 10, EB	40	-	TYPE 1
125+80		USH 10, EB	40	-	TYPE 1
127+80		USH 10, EB	45	-	TYPE 1
128+45		USH 10, EB	45	-	TYPE 1
130+60		USH 10, EB	41	-	TYPE 1
131+30		USH 10, EB	41	-	TYPE 1
134+30		USH 10, EB	52	-	TYPE 1
135+05		USH 10, EB	39	-	TYPE 1
141+10		USH 10, EB	12	-	TYPE 1
142+13		USH 10, EB	13	-	TYPE 1
144+90		USH 10, EB	25	-	TYPE 1
145+65		USH 10, EB	13	-	TYPE 1

CONCRETE MEDIAN NOSES (CONTINUED)

ID	STATION	LOCATION	620.0300 CONCRETE MEDIAN SLOPED NOSE SF	416.0610 * DRILLED TIE BARS EACH	COMMENTS
<b>PROJECT 1500-37-71</b>					
147+90		USH 10, EB	36	-	TYPE 1
148+75		USH 10, EB	36	-	TYPE 1
151+05		USH 10, EB	44	-	TYPE 1
151+85		USH 10, EB	45	-	TYPE 1
PROJECT TOTALS					
1,180				0	
<b>PROJECT 4570-12-71</b>					
155+35		STH 42, EB	40	-	TYPE 1
156+50		STH 42, EB	40	-	TYPE 1
159+55		STH 42, EB	40	-	TYPE 1
160+15		STH 42, EB	41	-	TYPE 1
163+25		STH 42, EB	40	-	TYPE 1
PROJECT TOTALS					
163+85		STH 42, EB	41	-	TYPE 1
184+00		STH 42, EB	38	-	TYPE 1
184+60		STH 42, EB	41	-	TYPE 1
188+90		STH 42, EB	24	-	TYPE 2
188+95		STH 42, WB	56	-	TYPE 2
PROJECT TOTALS					
190+45		STH 42, WB	20	-	TYPE 2
190+50		STH 42, EB	60	-	TYPE 2
194+80		STH 42, EB	47	-	TYPE 1
195+55		STH 42, EB	44	-	TYPE 1
11+05		NB MARITIME DR (N/M), LT	52	-	TYPE 1
12+50		NB MARITIME DR (N/M), RT	62	-	TYPE 1
13+55		NB MARITIME DR (N/M), LT	25	-	TYPE 2
13+90		SB MARITIME DR (S/M), RT	38	-	TYPE 2
14+05		NB MARITIME DR (N/M), LT	66	-	TYPE 2
PROJECT TOTALS					
815				0	
TOTALS					
2,660				45	

\* QUANTITIES SHOWN ELSEWHERE

FENCE SAFETY		
ID	LOCATION	616.0700.S QUANTITY LF
<b>1500-37-71</b>		
	UNDISTRIBUTED	500
	PROJECT TOTAL	500
<b>1500-37-72</b>		
	UNDISTRIBUTED	1,000
	PROJECT TOTAL	1,000
<b>4570-12-71</b>		
	UNDISTRIBUTED	500
	PROJECT TOTAL	500
<b>4570-12-72</b>		
	UNDISTRIBUTED	500
	PROJECT TOTAL	500
	TOTAL	2,500

Addendum No. 01  
ID 1500-37-71/72  
ID 1500-47-71  
ID 4570-12-71/72  
Revised Sheet 387  
December 3, 2018

ALL ITEMS ARE CATEGORY 0010 UNLESS OTHERWISE STATED

COUNTY: MANITOWOC

PROJECT NUMBER: 1500-47,37-71&4570-12-71

HWY: USH 10 & STH 42

MISCELLANEOUS QUANTITIES

SHEET 387

Addendum No. 01  
 ID 1500-37-71/72  
 ID 1500-47-71  
 ID 4570-12-71/72  
 Revised Sheet 440  
 December 3, 2018

TRAFFIC DETECTOR LOOPS

PROJECT ID	LOOP NO.	HOME RUN PB.	LOCATION*	SIZE (FT. X FT.)	NO. OF TURNS	PAVEMENT	SDD INSTALLATION REFERENCE	655.0700		655.0800	
								CONDUIT	LOOP DETECTOR	CONDUIT	LOOP DETECTOR
								LF	LF	LF	LF
	11	PB17	38+25 EB	4' LT	6' X 24'	CONCRETE	LOOP DETECTOR PLACED IN CRUSHED AGGREGATE BASE (NEW CONCRETE PAVEMENT) SDD 9F9-4	84	72	300	300
	12	PB17	38+54 EB	4' LT	6' X 24'	CONCRETE	LOOP DETECTOR PLACED IN CRUSHED AGGREGATE BASE (NEW CONCRETE PAVEMENT) SDD 9F9-4	96	208	324	324
	21	PB8	42+20 WB	12' LT	6' X 20'	CONCRETE	LOOP DETECTOR PLACED IN CRUSHED AGGREGATE BASE (NEW CONCRETE PAVEMENT) SDD 9F9-4	96	488	308	308
	22	PB7	41+18 WB	11' LT	6' X 20'	CONCRETE	LOOP DETECTOR PLACED IN CRUSHED AGGREGATE BASE (NEW CONCRETE PAVEMENT) SDD 9F9-4	92	392	228	228
	31	PB12	39+31 EB	51' RT	6' X 30'	CONCRETE	LOOP DETECTOR PLACED IN CRUSHED AGGREGATE BASE (NEW CONCRETE PAVEMENT) SDD 9F9-4	104	427	364	364
	41	PB2	39+03 WB	56' LT	6' X 30'	CONCRETE	LOOP DETECTOR PLACED IN CRUSHED AGGREGATE BASE (NEW CONCRETE PAVEMENT) SDD 9F9-4	110	54	285	285
	42	PB2	38+91 WB	56' LT	6' X 30'	CONCRETE	LOOP DETECTOR PLACED IN CRUSHED AGGREGATE BASE (NEW CONCRETE PAVEMENT) SDD 9F9-4	132	54	318	318
	51	PB6	40+96 WB	7' RT	6' X 6'	CONCRETE	LOOP DETECTOR PLACED IN CRUSHED AGGREGATE BASE (NEW CONCRETE PAVEMENT) SDD 9F9-4	52	349	126	126
	52	PB5	40+14 WB	7' RT	6' X 20'	CONCRETE	LOOP DETECTOR PLACED IN CRUSHED AGGREGATE BASE (NEW CONCRETE PAVEMENT) SDD 9F9-4	90	255	296	296
	53	PB5	39+86 WB	7' RT	6' X 20'	CONCRETE	LOOP DETECTOR PLACED IN CRUSHED AGGREGATE BASE (NEW CONCRETE PAVEMENT) SDD 9F9-4	76	255	204	204
	61	PB16	36+38 EB	11' LT	6' X 24'	CONCRETE	EXISTING LOOP DETECTOR	--	324	312	312
	62	PB15	36+95 EB	11' LT	6' X 24'	CONCRETE	EXISTING LOOP DETECTOR	--	262	312	312
	71	PB3	39+15 WB	56' LT	6' X 30'	CONCRETE	LOOP DETECTOR PLACED IN CRUSHED AGGREGATE BASE (NEW CONCRETE PAVEMENT) SDD 9F9-4	112	100	380	380
	81	PB11	39+43 EB	51' RT	6' X 3'	CONCRETE	LOOP DETECTOR PLACED IN CRUSHED AGGREGATE BASE (NEW CONCRETE PAVEMENT) SDD 9F9-4	60	378	129	129
	82	PB11	39+54 EB	51' RT	6' X 20'	CONCRETE	LOOP DETECTOR PLACED IN CRUSHED AGGREGATE BASE (NEW CONCRETE PAVEMENT) SDD 9F9-4	76	378	204	204
<b>SUBTOTAL</b>								<b>1180</b>	<b>3996</b>	<b>4090</b>	<b>4090</b>

^ ADDITIONAL QUANTITY WITH CABLE TRAFFIC SIGNAL ITEMS  
 \* LOCATION IS TO FRONT CENTER OF DETECTOR

ALL ITEMS ARE CATEGORY 0010 UNLESS OTHERWISE STATED

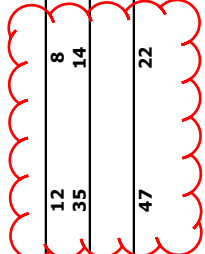
Addendum No. 01  
 ID 1500-37-71/72  
 ID 1500-47-71  
 ID 4570-12-71/72  
 Revised Sheet 455  
 December 3, 2018

INTERSECTION: USH 10 & CTH R		658.0173	658.0174	658.0416	658.0500*	
<b>SIGNAL FACES &amp; LED MODULES</b>						
ID	SB NO.	FACE NO.	TRAFFIC SIGNAL FACE 3S 12-INCH EACH	TRAFFIC SIGNAL FACE 4S 12-INCH EACH	PEDESTRIAN SIGNAL FACE 16-INCH EACH	PEDESTRIAN PUSH BUTTON EACH
1500-47-71	SB1	14	1	1		
	SB2	12	1			
	SB3	13	1			
	SB4	4	1			
	SB5	2	1			
	SB6	3	1			
	SB7	5	1			
	SB8	11	1			
	SB9	17	1			
	SB10	18	1			
	SB11	20	1			
	SB12	1	1			
	SB13	9	1			
	SB14	7	1			
	SB15	8	1			
	SB16	10	1			
	<b>SUBTOTAL</b>		<b>12</b>	<b>8</b>	<b>0</b>	<b>0</b>

\* QUANTITIES INCLUDED ELSEWHERE IN THE PLAN.  
 ALL ITEMS ARE CATEGORY 0010 UNLESS OTHERWISE STATED

**SIGNAL FACES & LED MODULES 'CONTINUED'**

INTERSECTION: USH 10 & 8TH ST		658.0173	658.0174	658.0416	658.0500*
ID	SB NO.	FACE NO.	TRAFFIC SIGNAL FACE 3S 12-INCH EACH	PEDESTRIAN SIGNAL FACE 16-INCH EACH	PEDESTRIAN PUSH BUTTON EACH
1500-37-71	SB1	11 21 BUTTON	1	1	1
	SB2	1 20 BUTTON	1	1	1
	SB3	7 8 18 BUTTON	1 1	1	1
	SB4	9 15 16 19 BUTTON	1 1 1	1	1
	SB5	13 14	1 1		
	SB6	24 BUTTON		1	1
	SB7	4 6 17	1 1	1	1
	SB8	2 3 5 22 BUTTON	1 1	1	1
	SB9	10 12 23 BUTTON	1 1	1	1
<b>SUBTOTAL</b>			<b>14</b>	<b>8</b>	<b>8</b>
<b>PROJECT TOTAL (1500-47-71)</b>			<b>12</b>	<b>0</b>	<b>0</b>
<b>PROJECT TOTAL (1500-37-71)</b>			<b>35</b>	<b>24</b>	<b>24</b>
<b>PROJECT TOTAL</b>			<b>47</b>	<b>24</b>	<b>24</b>



Addendum No. 01  
 ID 1500-37-71/72  
 ID 1500-47-71  
 ID 4570-12-71/72  
 Revised Sheet 458  
 December 3, 2018

\* QUANTITIES INCLUDED ELSEWHERE IN THE PLAN.  
 ALL ITEMS ARE CATEGORY 0010 UNLESS OTHERWISE STATED



SANITARY LATERAL

ID	MH	TO	MH	LOCATION	RECONNECT EACH	SPV.0060.204 6-INCH LF	SPV.0090.211 6-INCH LF	SPV.0090.212 RISERS LF
<b>PROJECT 1500-37-72</b>								
28	-	27		USH 10	8	420		-
27	-	28		USH 10	12	585		-
25	-	24		USH 10	4	80		18
24	-	NORTH		N 24TH STREET	2	60		-
24	-	23		USH 10	3	170		23
<b>PROJECT 4570-12-72</b>								
23	-	NORTH		PARK ROW BLVD	1	30		-
23	-	22		USH 10	1	20		8
22	-	21		USH 10	3	115		21
21	-	20		USH 10	5	100		30
20	-	19		USH 10	4	80		20
<b>PROJECT 4670-12-72</b>								
19	-	18		USH 10	2	52		10
18	-	17		USH 10	8	368		-
17	-	16A		USH 10	4	184		-
16A	-	16		USH 10	4	184		-
16	-	15		USH 10	6	276		-
<b>PROJECT 1500-37-72</b>								
15	-	14		USH 10	2	92		-
14	-	13		USH 10	4	183		-
12A	-	12		USH 10	2	140		-
11	-	10		USH 10	5	170		40
10	-	9		USH 10	2	50		16
<b>PROJECT 4570-12-72</b>								
9B	-	8		USH 10	4	60		-
16-75	-	16-74		N 9TH STREET	2	34		-
7	-	6		USH 10	2	40		-
6B	-	152+25		USH 10	1	25		-
6	-	16-59		N 8TH STREET	5	105		-
PROJECT TOTAL					96	3,623		188
<b>PROJECT 4570-12-72</b>								
152+25	-	4		STH 42	3	75		-
152+25	-	4A		STH 42	2	30		-
3	-	2		STH 42	4	160		-
3A	-	1A		STH 42	3	45		-
PROJECT TOTAL					12	310		0
TOTAL					108	3,933		186

REMOVE EXISTING SANITARY SEWER

D	STATION	TO	STATION	LOCATION	SPV.0090.210 LF
<b>PROJECT 1500-37-72</b>					
	141+56	-	147+73	USH 10	617
	148+35	-	151+37	USH 10	302
	152+11	-	152+25	USH 10	14
PROJECT TOTAL					933
<b>PROJECT 4570-12-72</b>					
	152+25	-	155+60	STH 42	335
PROJECT TOTAL					335
TOTAL					1,268

ABANDONING SANITARY SEWER

D	STATION	TO	STATION	LOCATION	SPV.0090.213 LF
<b>PROJECT 1500-37-72</b>					
	93+51	-	99+68	USH 10	617
	9+06	-	10+42	MENCHL DRIVE	126
	133+75	-	135+91	USH 10	216
	135+91	-	138+82	USH 10	285
	138+82	-	141+56	USH 10	280
	MH 6	-	MH 6A	USH 10	56
PROJECT TOTAL					1,580
<b>PROJECT 4570-12-72</b>					
	MH 4A	-	MH 4B	STH 42	40
	MH 3	-	MH 3A	STH 42	40
	159+85	-	161+05	STH 42	125
PROJECT TOTAL					205
TOTAL					1,785

TRENCH BACKFILL

ID	STATION	TON	LOCATION	TON	
<b>PROJECT 1500-37-72</b>					
	SPV.0195.200	4,200	IMPORTED TRENCH BACKFILL	400	
	SPV.0195.201	400	TRENCH STABILIZATION	400	
<b>PROJECT 4570-12-72</b>					
	UNDISTRIBUTED	800	STH 42	60	
TOTAL					5,000

Addendum No. 01  
 ID 1500-37-71/72  
 ID 1500-47-71  
 ID 4570-12-71/72  
 Revised Sheet 476  
 December 3, 2018

ALL ITEMS ARE CATEGORY 0010 UNLESS OTHERWISE STATED

MISCELLANEOUS QUANTITIES

COUNTY: MANITOWOC

HWY: USH 10 & STH 42

PROJECT NUMBER: 1500-37-72 & 4570-12-72

SHEET NO: 476

WATER MAIN AND CONNECTIONS

STATION TO STATION	LOCATION	6-INCH * LF	8-INCH LF	10-INCH LF	12-INCH LF	24-INCH LF	SPV.0090.104 CONNECT TO EXISTING EA
<b>PROJECT 1500-37-72</b>							
70+00 - 72+04	USH 10	-	-	-	209	-	1
72+04 - 93+61	USH 10	-	-	-	592	-	2
93+61 - 99+35	USH 10	-	-	-	575	-	-
99+35 - 103+21	USH 10	-	-	-	375	-	-
103+21 - 106+62	USH 10	-	-	-	351	-	-
<b>PROJECT 1500-37-72</b>							
106+62 - 107+47	USH 10	-	-	-	86	-	-
107+47 - 109+00	USH 10	-	-	-	243	-	-
109+00 - 118+37	USH 10	-	-	-	848	-	-
118+37 - 122+25	USH 10	-	-	-	390	-	-
122+25 - 125+73	USH 10	-	-	-	335	-	-
<b>PROJECT 1500-37-72</b>							
125+73 - 128+35	USH 10	-	-	-	264	-	-
128+35 - 131+16	USH 10	-	-	-	282	-	-
131+16 - 133+85	USH 10	-	-	-	277	-	-
133+85 - 135+71	USH 10	-	-	-	186	-	-
135+63 - 135+68	N MENA SHA AVE	-	18	-	-	-	1
<b>PROJECT 1500-37-72</b>							
135+71 - 136+33	USH 10	-	-	-	62	-	-
136+33 - 136+62	USH 10	-	-	-	29	-	-
136+62 - 141+69	USH 10	-	-	-	507	-	-
141+69 - 145+32	USH 10	-	-	-	363	-	-
145+32 - 148+45	USH 10	-	-	-	314	-	-
<b>PROJECT 1500-37-72</b>							
148+45 - 151+56	USH 10	-	-	-	320	-	-
151+56 - 152+25	USH 10	-	-	-	69	-	-
9+32 - 10+64	N 23RD ST	-	121	-	-	-	2
9+29 - 10+43	MENCHL DR	114	-	-	-	-	1
9+39 - 10+94	N 21ST ST	-	160	-	-	-	2
<b>PROJECT 1500-37-72</b>							
9+45 - 10+80	N 20TH ST	-	-	-	137	-	2
10+19 - 10+55	NB PARK ROW BLVD	-	36	-	-	-	1
9+51 - 10+59	ELM ST	73	-	43	-	-	2
9+64 - 10+49	N 18TH ST	-	85	-	-	-	2
9+28 - 10+97	N 17TH ST	-	178	-	-	-	2
<b>PROJECT 1500-37-72</b>							
9+27 - 10+80	N 16TH ST	-	155	-	-	-	2
9+38 - 10+95	N 15TH ST	-	160	-	-	-	2
9+35 - 10+80	N 14TH ST	-	148	-	-	-	2
9+30 - 10+49	N 13TH ST	-	122	-	-	-	1
9+61 - 10+45	N 12TH ST	-	84	-	-	-	1

WATER MAIN AND CONNECTIONS (CONTINUED)

STATION TO STATION	LOCATION	6-INCH * LF	8-INCH LF	10-INCH LF	12-INCH LF	24-INCH LF	SPV.0090.104 CONNECT TO EXISTING EA
<b>PROJECT 1500-37-72</b>							
8+93 - 10+66	S MENA SHA AVE	-	199	-	-	-	2
9+59 - 11+25	N 11TH ST	-	81	-	87	-	2
9+71 - 10+45	N 10TH ST	-	74	-	-	-	1
9+05 - 10+46	N 9TH ST	-	292	78	-	-	2
8+55 - 11+45	N 8TH ST	-	-	-	294	-	2
<b>PROJECT TOTALS</b>							
		187	1913	121	7195	33	35
<b>PROJECT 4570-12-72</b>							
152+25 - 155+69	STH 42	-	-	-	363	-	-
155+69 - 159+95	STH 42	-	-	-	406	-	-
159+95 - 163+63	STH 42	-	-	-	369	-	-
163+63 - 164+15	STH 42	-	-	-	63	-	1
164+15 - 192+25	STH 42	-	-	-	154	-	-
<b>PROJECT 4570-12-72</b>							
9+43 - 10+99	LINCOLN BLVD	-	128	-	-	-	2
9+30 - 10+95	N 6TH ST	-	120	-	-	-	2
<b>PROJECT TOTALS</b>							
		0	248	0	1,355	0	5
<b>TOTALS</b>							
		187	2,161	121	8,550	33	40

\* ADDITIONAL QUANTITIES SHOWN ELSEWHERE

STATION TO STATION	LOCATION	SPV.0090.14 20-INCH LF
<b>STEEL CASING PIPE</b>		
<b>PROJECT 1500-37-72</b>		
100+16 - 100+96	USH 10	80
<b>TOTAL</b>		80

Addendum No. 01  
 ID 1500-37-71/72  
 ID 1500-47-71  
 ID 4570-12-71/72  
 Revised Sheet 478  
 December 3, 2018

ALL ITEMS ARE CATEGORY 0010 UNLESS OTHERWISE STATED

WATER SERVICE (CONTINUED)

ID	STATION	LOCATION	SPV.0090.105 SERVICE PIPE 1 1/4-INCH LF	SPV.0060.107 CORPORATION STOP & CURB STOP AND BOX EA	SPV.0060.109 CONNECT TO EXISTING EA	SPV.0165.101 4" TRENCH INSULATION SF
<b>PROJECT 1500-37-72</b>						
	121+05	USH 10, LT	10	1	1	-
	123+14	USH 10, LT	10	1	1	-
	123+60	USH 10, LT	10	1	1	-
	124+02	USH 10, LT	10	1	1	-
	124+48	USH 10, LT	10	1	1	-
	124+90	USH 10, LT	10	1	1	-
	119+95	USH 10, RT	72	1	1	32
	120+48	USH 10, RT	72	1	1	32
	120+98	USH 10, RT	72	1	1	32
	121+54	USH 10, RT	72	1	1	32
	122+63	USH 10, RT	72	1	1	32
	123+14	USH 10, RT	72	1	1	32
	123+42	USH 10, RT	72	1	1	32
	124+03	USH 10, RT	72	1	1	32
	124+46	USH 10, RT	72	1	1	32
	126+06	USH 10, LT	10	1	1	-
	126+60	USH 10, LT	10	1	1	-
	127+10	USH 10, LT	10	1	1	-
	126+07	USH 10, RT	72	1	1	32
	126+57	USH 10, RT	72	1	1	32
	127+10	USH 10, RT	72	1	1	32
	127+58	USH 10, RT	72	1	1	32
	130+38	USH 10, RT	72	1	1	32
	132+16	USH 10, RT	72	1	1	32
	132+70	USH 10, RT	72	1	1	32
	134+87	USH 10, RT	72	1	1	32
	135+54	USH 10, RT	72	1	1	32
	137+17	USH 10, LT	10	1	1	-
	137+93	USH 10, LT	10	1	1	-
	138+08	USH 10, LT	10	1	1	-
	138+68	USH 10, LT	10	1	1	-
	139+40	USH 10, LT	10	1	1	-
	139+95	USH 10, LT	10	1	1	-
	138+85	USH 10, RT	72	1	1	32
	143+10	USH 10, RT	72	1	1	32
	143+60	USH 10, RT	72	1	1	32
	144+62	USH 10, RT	72	1	1	32
	11+98NN	N 9TH ST, RT	10	1	1	-
	12+40NN	N 9TH ST, RT	10	1	1	-
	149+11	USH 10, LT	20	1	1	-
	149+68	USH 10, LT	20	1	1	-
	149+73	USH 10, RT	62	1	1	-
PROJECT TOTALS			3,864	87	87	1,152

ALL ITEMS ARE CATEGORY 0010 UNLESS OTHERWISE STATED

Addendum No. 01  
 ID 1500-37-71/72  
 ID 1500-47-71  
 ID 4570-12-71/72  
 Revised Sheet 479  
 December 3, 2018

WATER SERVICE

ID	STATION	LOCATION	SPV.0090.105 SERVICE PIPE 1 1/4-INCH LF	SPV.0060.107 CORPORATION STOP & CURB STOP AND BOX EA	SPV.0060.109 CONNECT TO EXISTING EA	SPV.0165.101 4" TRENCH INSULATION SF
<b>PROJECT 1500-37-72</b>						
	94+10	USH 10	10	1	1	-
	94+15	USH 10	72	1	1	-
	94+50	USH 10	72	1	1	-
	94+70	USH 10	10	1	1	-
	95+20	USH 10	10	1	1	-
	95+73	USH 10	10	1	1	-
	96+20	USH 10	10	1	1	-
	96+63	USH 10	10	1	1	-
	97+13	USH 10	10	1	1	-
	97+60	USH 10	10	1	1	-
	98+65	USH 10	10	1	1	-
	99+15	USH 10	10	1	1	-
	99+55	USH 10	10	1	1	-
	99+87	USH 10	10	1	1	-
	95+67	USH 10	72	1	1	-
	96+17	USH 10	72	1	1	-
	96+53	USH 10	72	1	1	-
	97+15	USH 10	72	1	1	-
	97+65	USH 10	72	1	1	-
	98+15	USH 10	72	1	1	-
	98+53	USH 10	72	1	1	-
	101+00	USH 10	80	1	1	-
	101+60	USH 10	10	1	1	-
	102+08	USH 10	72	1	1	-
	103+78	USH 10	10	1	1	-
	104+35	USH 10	10	1	1	-
	101+18	USH 10	72	1	1	32
	104+90	USH 10	72	1	1	32
	108+58	USH 10	10	1	1	-
	108+80	USH 10	72	1	1	32
	109+20	USH 10	10	1	1	-
	111+24	USH 10	72	1	1	32
	111+75	USH 10	72	1	1	32
	112+30	USH 10	72	1	1	32
	112+82	USH 10	72	1	1	32
	113+35	USH 10	72	1	1	32
	113+95	USH 10	72	1	1	32
	114+50	USH 10	72	1	1	32
	115+50	USH 10	72	1	1	32
	116+06	USH 10	72	1	1	32
	116+58	USH 10	72	1	1	32
	117+24	USH 10	72	1	1	32
	119+46	USH 10	10	1	1	-
	120+03	USH 10	10	1	1	-
	120+48	USH 10	10	1	1	-

Addendum No. 01  
 ID 1500-37-71/72  
 ID 1500-47-71  
 ID 4570-12-71/72  
 Revised Sheet 480  
 December 3, 2018

WATER SERVICE (CONTINUED)

D	STATION	LOCATION	SPV.0090.105 SERVICE PIPE 1 1/4-INCH LF	SPV.0060.107 CORPORATION STOP & CURB STOP AND BOX EA	SPV.0060.109 CONNECT TO EXISTING EA	SRV.0165.101 4" TRENCH INSULATION SF
<b>PROJECT 4570-12-72</b>						
	152+68	STH 42, LT	8	1	1	-
	153+74	STH 42, LT	8	1	1	-
	154+72	STH 42, LT	8	1	1	-
	153+10	STH 42, RT	72	1	1	-
	154+11	STH 42, RT	72	1	1	32
	158+20	STH 42, LT	8	1	1	-
	159+18	STH 42, LT	8	1	1	-
	157+70	STH 42, RT	72	1	1	32
	158+21	STH 42, RT	72	1	1	32
	162+01	STH 42, LT	8	1	1	-
	161+09	STH 42, RT	72	1	1	32
	162+10	STH 42, RT	72	1	1	32
	162+62	STH 42, RT	72	1	1	32
	<b>PROJECT TOTALS</b>		552	13	13	192
	<b>TOTALS</b>		4,416	100	100	1,344

WATER SERVICE

D	STATION	LOCATION	SPV.0090.106 SERVICE PIPE 1 - INCH LF	SPV.0060.112 CORPORATION STOP & CURB STOP AND BOX 1-INCH EA	COMMENTS
	UNDISTRIBUTED	USH 10	500	10	ONLY TO BE USED WITH MRJA APPROVAL
	<b>PROJECT TOTALS</b>		500	10	
<b>PROJECT 4570-12-72</b>					
	UNDISTRIBUTED	STH 42	200	5	ONLY TO BE USED WITH MRJA APPROVAL
	<b>PROJECT TOTALS</b>		200	5	
	<b>TOTALS</b>		700	15	

FIRE HYDRANTS, LEAD, AND VALVE

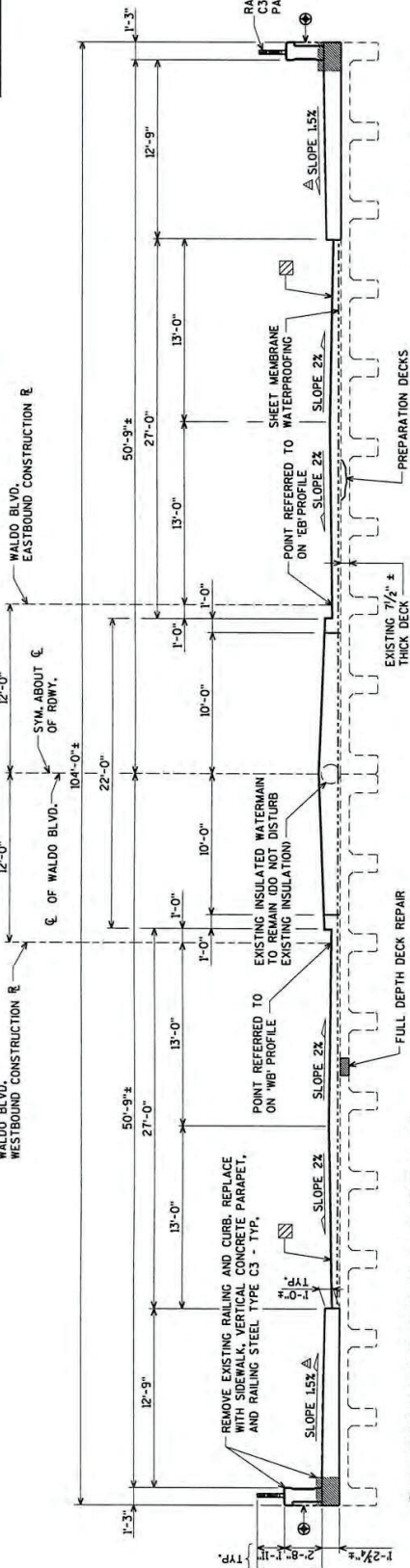
D	STATION	LOCATION	SPV.0090.100 WATER MAIN 6-INCH LF	SPV.0060.106 FIRE HYDRANT EA	SPV.0060.102 GATE VALVE * AND BOX 6-INCH EA
<b>PROJECT 1500-37-72</b>					
	70+14	USH 10, LT	7	1	1
	99+32	USH 10, LT	11	1	1
	103+81	USH 10, LT	9	1	1
	115+26	USH 10, LT	11	1	1
	122+48	USH 10, LT	12	1	1
	152+04	USH 10, LT	12	1	1
	9+53	MENASHA, RT	7	1	1
	9+42	N 13TH, RT	9	1	1
	9+52	N 14TH, RT	9	1	1
	9+53	N 15TH, RT	11	1	1
	9+43	N 16TH, RT	11	1	1
	9+52	N 9TH, RT	11	1	1
	<b>PROJECT TOTALS</b>		120	12	12
<b>PROJECT 4570-12-72</b>					
	160+94	WALDO	9	1	1
	9+50	LINCOLN BLVD, RT	14	1	1
	<b>PROJECT TOTALS</b>		23	2	2
	<b>TOTALS</b>		143	14	14

\* ADDITIONAL QUANTITIES SHOWN ELSEWHERE

WATER VALVE AND CURB STOP ADJUSTMENTS

STATION	TO	STATION	LOCATION	SPV.0060.110 ADJUSTING WATER VALVE BOX LF	SPV.0060.111 ADJUSTING WATER SERVICE CURB STOP LF
152+25	-	194+50	STH 42	7	11
<b>TOTALS</b>					
				7	11

ALL ITEMS ARE CATEGORY 0010 UNLESS OTHERWISE STATED



**CROSS SECTION THRU ROADWAY**  
(LOOKING EAST)

Addendum No. 01  
ID 1500-37-71/72  
ID 1500-47-71  
ID 4570-12-71/72  
Revised Sheet 783  
December 3, 2018

REMOVE AND RECONSTRUCT ROADWAY. ROADWAY PAVEMENT WILL BE 4 1/2" OF CONCRETE OVER BASE AGGREGATE DENSE INCREASE PAVEMENT THICKNESS ON BRIDGE AS NECESSARY AT THE CROWN, REDUCE PAVEMENT THICKNESS ON BRIDGE AS NECESSARY AT CURBS. BASE AGGREGATE DENSE WILL NOT BE ALLOWED TO BE PLACED ON THE DECK. - SEE ROAD PLANS

**DESIGN DATA**

**LIVE LOAD:**  
DESIGN LOADING: HS-20  
INVENTORY RATING: HS-20  
OPERATING RATING: HS-34  
WISCONSIN STANDARD PERMIT VEHICLE (WIS-SPV) • 220 KIPS

**MATERIAL PROPERTIES:**  
CONCRETE MASONRY (SUPERSTRUCTURE) f'c • 4,000 P.S.I.  
(ALL OTHER) f'c • 3,500 P.S.I.  
HIGH STRENGTH BAR STEEL f'y • 60,000 P.S.I.  
REINFORCEMENT (GRADE 60) f'y • 60,000 P.S.I.

**TRAFFIC DATA:**  
A.D.T. • 11,700 (2019)  
A.D.T. • 13,600 (2039)  
R.D.S. • 40 M.P.H.

*William C. Decker, SR.*  
11/27/18



**GENERAL NOTES**

DRAWINGS SHALL NOT BE SCALED.  
DIMENSIONS SHOWN ARE BASED ON THE ORIGINAL STRUCTURE PLANS.  
ANY EXCAVATION NECESSARY TO COMPLETE THE WORK IS CONSIDERED INCIDENTAL TO THE BID ITEM "CONCRETE MASONRY BRIDGES".  
CONCRETE REMOVAL AND REPAIR SHALL BE DEFINED BY A 1" DEEP SAW CUT UNLESS SHOWN OR NOTED OTHERWISE.  
BAR STEEL REINFORCEMENT SHALL BE EMBEDDED 2" CLEAR UNLESS OTHERWISE SHOWN OR NOTED.  
THE FIRST DIGIT OF A THREE DIGIT BAR NO. AND THE FIRST TWO DIGITS OF A FOUR DIGIT BAR NO. SIGNIFY THE BAR SIZE.  
PREPARATION DECKS TYPE 1, PREPARATION DECKS TYPE 2, AND CONCRETE REPAIR SHALL BE FIELD ENGINEER.  
UTILIZE EXISTING BAR STEEL REINFORCEMENT WHERE SHOWN AND EXTEND 24 BAR DIAMETERS INTO NEW WORK, UNLESS SPECIFIED OTHERWISE.  
REMOVAL OF THE EXISTING RAILING AND PARAPET IS INCLUDED IN THE BID ITEM "REMOVING OLD STRUCTURE STATION 179+EB+26.00".  
OF CURB (SIDE SURFACE TREATMENT) IS TO BE APPLIED TO THE FACE OF PARAPETS.  
AS SHOWN IN DETAIL ON SHEET 3.  
BEVEL EXPOSED EDGES OF CONCRETE 3/4" UNLESS NOTED OTHERWISE.  
ORIGINAL CONSTRUCTION YEAR IS 1934.  
PREPARATION DECKS TYPE 1, PREPARATION DECKS TYPE 2, AND MASONRY OVERLAY REPAIR AREAS WILL BE FILLED WITH CONCRETE.

**TOTAL ESTIMATED QUANTITIES**

BID ITEM NUMBER	BID ITEMS	UNIT	TOTAL	CATEGORY 0030	CATEGORY 0020
203.0200	REMOVING OLD STRUCTURE STATION 179+EB+26.00	LS	1		
502.0100	CONCRETE MASONRY BRIDGES	CY	50	50	
502.3200	PROTECTIVE SURFACE TREATMENT	SY	110	110	
502.3210	PIGMENTED SURFACE SEALER	SY	35	35	
502.4204	ADHESIVE ANCHORS NO. 4 BAR	EACH	260	260	
505.0600	BAR STEEL REINFORCEMENT HS COATED STRUCTURES	LB	4,540	4,540	
509.0301	PREPARATION DECKS TYPE 1	SY	30	30	
509.0302	PREPARATION DECKS TYPE 2	SY	15	15	
509.0310.S	SAWING PAVEMENT DECK PREPARATION AREAS	LF	60	60	
509.1500	CONCRETE SURFACE REPAIR	SF	50	50	
509.2000	FULL DEPTH DECK REPAIR	SY	5	5	
509.2100.S	CONCRETE MASONRY OVERLAY-DECKS	CY	5	5	
513.7016	RAILING STEEL TYPE C3	LF	70		70
516.0610.S	SHEET MEMBRANE WATERPROOFING FOR TOP SLAB B-36-900	SY	280	280	
517.1010.S	CONCRETE STAINING B-36-900	SF	460		460
517.1050.S	ARCHITECTURAL SURFACE TREATMENT B-36-900	SF	160		160

UNDISTRIBUTED QUANTITY FOR ABUTMENTS AS DIRECTED BY THE ENGINEER, IF NECESSARY.  
UNDISTRIBUTED QUANTITY FOR PREPARATION-DECKS AND FULL-DEPTH-DECK-REPAIR-AREAS.

STRUCTURE B-36-900

TYPICAL SECTION AND DESIGN DATA  
SHEET 2 OF 5  
783

ORIGINAL PLANS PREPARED BY  
3431 Oakwood Hills Parkway  
Eau Claire, WI 54601  
AVRES ASSOCIATES  
www.AyresAssociates.com





Proposal Schedule of Items

Proposal ID: 20181211016 Project(s): 1500-37-71, 1500-37-72, 1500-47-71, 4570-12-71, 4570-12-72

Federal ID(s): WISC 2018470, N/A, WISC 2018471, WISC 2018472, N/A

SECTION: 0001

Contract Items

Alt Set ID:

Alt Mbr ID:

Proposal Line Number	Item ID Description	Approximate Quantity and Units	Unit Price	Bid Amount
0002	201.0105 Clearing	10.000 STA	_____.	_____.
0004	201.0120 Clearing	4,400.000 ID	_____.	_____.
0006	201.0205 Grubbing	10.000 STA	_____.	_____.
0008	201.0220 Grubbing	4,660.000 ID	_____.	_____.
0010	203.0200 Removing Old Structure (station) 01. 83'EB'+32	LS	LUMP SUM	_____.
0012	203.0200 Removing Old Structure (station) 02. 179'EB'+26	LS	LUMP SUM	_____.
0014	203.0225.S Debris Containment (structure) 01. B-36- 29	LS	LUMP SUM	_____.
0016	203.0500.S Removing Old Structure Over Waterway (station) 01. 70+52	LS	LUMP SUM	_____.
0018	204.0100 Removing Pavement	97,990.000 SY	_____.	_____.
0020	204.0105 Removing Pavement Butt Joints	1,325.000 SY	_____.	_____.
0022	204.0110 Removing Asphaltic Surface	760.000 SY	_____.	_____.
0024	204.0115 Removing Asphaltic Surface Butt Joints	270.000 SY	_____.	_____.
0026	204.0130 Removing Curb	30.000 LF	_____.	_____.
0028	204.0150 Removing Curb & Gutter	740.000 LF	_____.	_____.
0030	204.0155 Removing Concrete Sidewalk	15,460.000 SY	_____.	_____.



Proposal Schedule of Items

Proposal ID: 20181211016 Project(s): 1500-37-71, 1500-37-72, 1500-47-71, 4570-12-71, 4570-12-72

Federal ID(s): WISC 2018470, N/A, WISC 2018471, WISC 2018472, N/A

SECTION: 0001

Contract Items

Alt Set ID:

Alt Mbr ID:

Proposal Line Number	Item ID Description	Approximate Quantity and Units	Unit Price	Bid Amount
0032	204.0170 Removing Fence	380.000 LF	_____.	_____.
0034	204.0190 Removing Surface Drains	1.000 EACH	_____.	_____.
0036	204.0195 Removing Concrete Bases	45.000 EACH	_____.	_____.
0038	204.0200 Removing Railroad Track	120.000 LF	_____.	_____.
0040	204.0210 Removing Manholes	94.000 EACH	_____.	_____.
0042	204.0220 Removing Inlets	242.000 EACH	_____.	_____.
0044	204.0245 Removing Storm Sewer (size) 01. 12-Inch or Less	9,050.000 LF	_____.	_____.
0046	204.0245 Removing Storm Sewer (size) 02. 15-Inch	3,405.000 LF	_____.	_____.
0048	204.0245 Removing Storm Sewer (size) 03. 18-Inch	3,305.000 LF	_____.	_____.
0050	204.0245 Removing Storm Sewer (size) 04. 21-Inch	1,595.000 LF	_____.	_____.
0052	204.0245 Removing Storm Sewer (size) 05. 24-Inch	535.000 LF	_____.	_____.
0054	204.0245 Removing Storm Sewer (size) 06. 36-Inch	85.000 LF	_____.	_____.
0056	204.0245 Removing Storm Sewer (size) 07. 42-Inch	730.000 LF	_____.	_____.
0058	204.0245 Removing Storm Sewer (size) 08. 48-Inch	165.000 LF	_____.	_____.



Proposal Schedule of Items

Proposal ID: 20181211016 Project(s): 1500-37-71, 1500-37-72, 1500-47-71, 4570-12-71, 4570-12-72

Federal ID(s): WISC 2018470, N/A, WISC 2018471, WISC 2018472, N/A

SECTION: 0001

Contract Items

Alt Set ID:

Alt Mbr ID:

Proposal Line Number	Item ID Description	Approximate Quantity and Units	Unit Price	Bid Amount
0060	204.0245 Removing Storm Sewer (size) 09. 60-Inch	220.000 LF	_____.	_____.
0062	204.0245 Removing Storm Sewer (size) 10. 72-Inch	160.000 LF	_____.	_____.
0064	204.0250 Abandoning Manholes	8.000 EACH	_____.	_____.
0066	204.0280 Sealing Pipes	3.000 EACH	_____.	_____.
0068	204.0291.S Abandoning Sewer	1,975.000 CY	_____.	_____.
0070	204.9060.S Removing (item description) 01. Light Poles and Bases	88.000 EACH	_____.	_____.
0072	204.9060.S Removing (item description) 02. Railroad Signal Base	2.000 EACH	_____.	_____.
0074	204.9090.S Removing (item description) 01. Wooden Guardrail and Posts	130.000 LF	_____.	_____.
0076	204.9090.S Removing (item description) 02. Metal Railing	25.000 LF	_____.	_____.
0078	205.0100 Excavation Common	86,000.000 CY	_____.	_____.
0080	206.1000 Excavation for Structures Bridges (structure) 01. B-36-29	LS	LUMP SUM	_____.
0082	206.2000 Excavation for Structures Culverts (structure) 01. B-36-232	LS	LUMP SUM	_____.
0084	209.0200.S Backfill Controlled Low Strength	1,035.000 CY	_____.	_____.
0086	210.1500 Backfill Structure Type A	250.000 TON	_____.	_____.





Proposal Schedule of Items

Proposal ID: 20181211016 Project(s): 1500-37-71, 1500-37-72, 1500-47-71, 4570-12-71, 4570-12-72

Federal ID(s): WISC 2018470, N/A, WISC 2018471, WISC 2018472, N/A

SECTION: 0001

Contract Items

Alt Set ID:

Alt Mbr ID:

Proposal Line Number	Item ID Description	Approximate Quantity and Units	Unit Price	Bid Amount
0088	210.2500 Backfill Structure Type B	4,590.000 TON	_____.	_____.
0090	213.0100 Finishing Roadway (project) 01. 1500-37-71	1.000 EACH	_____.	_____.
0092	213.0100 Finishing Roadway (project) 02. 1500-47-71	1.000 EACH	_____.	_____.
0094	213.0100 Finishing Roadway (project) 03. 4570-12-71	1.000 EACH	_____.	_____.
0096	305.0110 Base Aggregate Dense 3/4-Inch	10.000 TON	_____.	_____.
0098	305.0120 Base Aggregate Dense 1 1/4-Inch	44,980.000 TON	_____.	_____.
0100	310.0115 Base Aggregate Open-Graded	110.000 CY	_____.	_____.
0102	311.0110 Breaker Run	75,000.000 TON	_____.	_____.
0104	311.0115 Breaker Run	530.000 CY	_____.	_____.
0106	320.0155 Concrete Base 9-Inch	300.000 SY	_____.	_____.
0108	390.0303 Base Patching Concrete	1,250.000 SY	_____.	_____.
0110	405.0100 Coloring Concrete WisDOT Red	425.000 CY	_____.	_____.
0112	415.0080 Concrete Pavement 8-Inch	10,410.000 SY	_____.	_____.
0114	415.0085 Concrete Pavement 8 1/2-Inch	77,155.000 SY	_____.	_____.
0116	415.0095 Concrete Pavement 9 1/2-Inch	1,430.000 SY	_____.	_____.



Proposal Schedule of Items

Proposal ID: 20181211016 Project(s): 1500-37-71, 1500-37-72, 1500-47-71, 4570-12-71, 4570-12-72

Federal ID(s): WISC 2018470, N/A, WISC 2018471, WISC 2018472, N/A

SECTION: 0001

Contract Items

Alt Set ID:

Alt Mbr ID:

Proposal Line Number	Item ID Description	Approximate Quantity and Units	Unit Price	Bid Amount
0118	415.0210 Concrete Pavement Gaps	5.000 EACH	_____.	_____.
0120	415.0410 Concrete Pavement Approach Slab	168.000 SY	_____.	_____.
0122	415.1080 Concrete Pavement HES 8-Inch	615.000 SY	_____.	_____.
0124	415.1085 Concrete Pavement HES 8 1/2-Inch	860.000 SY	_____.	_____.
0126	415.4100 Concrete Pavement Joint Filling	93,960.000 SY	_____.	_____.
0128	415.5110.S Concrete Pavement Joint Layout 01. 1500-37-71	1.000 LS	_____.	_____.
0130	415.5110.S Concrete Pavement Joint Layout 02. 1500-47-71	1.000 LS	_____.	_____.
0132	415.5110.S Concrete Pavement Joint Layout 03. 4570-12-71	1.000 LS	_____.	_____.
0134	416.0160 Concrete Driveway 6-Inch	3,530.000 SY	_____.	_____.
0136	416.0512 Concrete Truck Apron 12-Inch	410.000 SY	_____.	_____.
0138	416.0610 Drilled Tie Bars	734.000 EACH	_____.	_____.
0140	416.0620 Drilled Dowel Bars	2,194.000 EACH	_____.	_____.
0142	455.0605 Tack Coat	1,210.300 GAL	_____.	_____.
0144	460.2000 Incentive Density HMA Pavement	2,070.000 DOL	1.00000	2,070.00
0146	460.6223 HMA Pavement 3 MT 58-28 S	100.000 TON	_____.	_____.



Proposal Schedule of Items

Proposal ID: 20181211016 Project(s): 1500-37-71, 1500-37-72, 1500-47-71, 4570-12-71, 4570-12-72

Federal ID(s): WISC 2018470, N/A, WISC 2018471, WISC 2018472, N/A

SECTION: 0001

Contract Items

Alt Set ID:

Alt Mbr ID:

Proposal Line Number	Item ID Description	Approximate Quantity and Units	Unit Price	Bid Amount
0148	460.6224 HMA Pavement 4 MT 58-28 S	3,110.000 TON	_____.	_____.
0150	465.0105 Asphaltic Surface	45.000 TON	_____.	_____.
0152	465.0120 Asphaltic Surface Driveways and Field Entrances	60.000 TON	_____.	_____.
0154	465.0125 Asphaltic Surface Temporary	1,930.000 TON	_____.	_____.
0156	465.0305 Asphaltic Surface Safety Islands	10.000 TON	_____.	_____.
0158	465.0310 Asphaltic Curb	176.000 LF	_____.	_____.
0160	502.0100 Concrete Masonry Bridges	780.000 CY	_____.	_____.
0162	502.3200 Protective Surface Treatment	2,195.000 SY	_____.	_____.
0164	502.3210 Pigmented Surface Sealer	274.000 SY	_____.	_____.
0166	502.4204 Adhesive Anchors No. 4 Bar	1,402.000 EACH	_____.	_____.
0168	504.0100 Concrete Masonry Culverts	613.000 CY	_____.	_____.
0170	504.0900 Concrete Masonry Endwalls	3.000 CY	_____.	_____.
0172	505.0400 Bar Steel Reinforcement HS Structures	75,760.000 LB	_____.	_____.
0174	505.0600 Bar Steel Reinforcement HS Coated Structures	173,090.000 LB	_____.	_____.
0176	506.2605 Bearing Pads Elastomeric Non-Laminated	16.000 EACH	_____.	_____.



Proposal Schedule of Items

Proposal ID: 20181211016 Project(s): 1500-37-71, 1500-37-72, 1500-47-71, 4570-12-71, 4570-12-72

Federal ID(s): WISC 2018470, N/A, WISC 2018471, WISC 2018472, N/A

SECTION: 0001 Contract Items

Alt Set ID: Alt Mbr ID:

Proposal Line Number	Item ID Description	Approximate Quantity and Units	Unit Price	Bid Amount
0178	506.4000 Steel Diaphragms (structure) 01. B-36-29	28.000 EACH	_____.	_____.
0180	506.7050.S Removing Bearings (structure) 01. B-36-29	16.000 EACH	_____.	_____.
0182	509.0301 Preparation Decks Type 1	30.000 SY	_____.	_____.
0184	509.0302 Preparation Decks Type 2	15.000 SY	_____.	_____.
0186	509.1500 Concrete Surface Repair	150.000 SF	_____.	_____.
0188	509.2000 Full-Depth Deck Repair	5.000 SY	_____.	_____.
0192	513.7016 Railing Steel Type C3	648.000 LF	_____.	_____.
0194	516.0500 Rubberized Membrane Waterproofing	78.000 SY	_____.	_____.
0196	516.0610.S Sheet Membrane Waterproofing for Top Slab (structure) 01. B-36-900	280.000 SY	_____.	_____.
0198	517.1010.S Concrete Staining (structure) 01. B-36-900	460.000 SF	_____.	_____.
0200	517.1050.S Architectural Surface Treatment (structure) 01. B-36-900	160.000 SF	_____.	_____.
0202	520.8000 Concrete Collars for Pipe	26.000 EACH	_____.	_____.
0204	522.1018 Apron Endwalls for Culvert Pipe Reinforced Concrete 18-Inch	1.000 EACH	_____.	_____.
0206	522.1024 Apron Endwalls for Culvert Pipe Reinforced Concrete 24-Inch	5.000 EACH	_____.	_____.



Proposal Schedule of Items

Proposal ID: 20181211016 Project(s): 1500-37-71, 1500-37-72, 1500-47-71, 4570-12-71, 4570-12-72

Federal ID(s): WISC 2018470, N/A, WISC 2018471, WISC 2018472, N/A

SECTION: 0001

Contract Items

Alt Set ID:

Alt Mbr ID:

Proposal Line Number	Item ID Description	Approximate Quantity and Units	Unit Price	Bid Amount
0208	522.1072 Apron Endwalls for Culvert Pipe Reinforced Concrete 72-Inch	1.000 EACH	_____.	_____.
0210	601.0105 Concrete Curb Type A	30.000 LF	_____.	_____.
0212	601.0405 Concrete Curb & Gutter 18-Inch Type A	6,795.000 LF	_____.	_____.
0214	601.0409 Concrete Curb & Gutter 30-Inch Type A	8,921.000 LF	_____.	_____.
0216	601.0411 Concrete Curb & Gutter 30-Inch Type D	185.000 LF	_____.	_____.
0218	601.0413 Concrete Curb & Gutter 6-Inch Sloped 30-Inch Type G	220.000 LF	_____.	_____.
0220	601.0580 Concrete Curb & Gutter 4-Inch Sloped 36-Inch Type R	365.000 LF	_____.	_____.
0222	601.0600 Concrete Curb Pedestrian	460.000 LF	_____.	_____.
0224	602.0405 Concrete Sidewalk 4-Inch	133,510.000 SF	_____.	_____.
0226	602.0410 Concrete Sidewalk 5-Inch	6,660.000 SF	_____.	_____.
0228	602.0415 Concrete Sidewalk 6-Inch	9,160.000 SF	_____.	_____.
0230	602.0505 Curb Ramp Detectable Warning Field Yellow	1,260.000 SF	_____.	_____.
0232	602.0605 Curb Ramp Detectable Warning Field Radial Yellow	162.000 SF	_____.	_____.
0234	602.1500 Concrete Steps	30.000 SF	_____.	_____.
0236	606.0200 Riprap Medium	15.000 CY	_____.	_____.



Proposal Schedule of Items

Proposal ID: 20181211016 Project(s): 1500-37-71, 1500-37-72, 1500-47-71, 4570-12-71, 4570-12-72

Federal ID(s): WISC 2018470, N/A, WISC 2018471, WISC 2018472, N/A

SECTION: 0001

Contract Items

Alt Set ID:

Alt Mbr ID:

Proposal Line Number	Item ID Description	Approximate Quantity and Units	Unit Price	Bid Amount
0238	606.0300 Riprap Heavy	695.000 CY	_____.	_____.
0240	608.0312 Storm Sewer Pipe Reinforced Concrete Class III 12-Inch	5,560.000 LF	_____.	_____.
0242	608.0315 Storm Sewer Pipe Reinforced Concrete Class III 15-Inch	1,550.000 LF	_____.	_____.
0244	608.0318 Storm Sewer Pipe Reinforced Concrete Class III 18-Inch	946.000 LF	_____.	_____.
0246	608.0324 Storm Sewer Pipe Reinforced Concrete Class III 24-Inch	5,048.000 LF	_____.	_____.
0248	608.0330 Storm Sewer Pipe Reinforced Concrete Class III 30-Inch	1,020.000 LF	_____.	_____.
0250	608.0336 Storm Sewer Pipe Reinforced Concrete Class III 36-Inch	1,803.000 LF	_____.	_____.
0252	608.0348 Storm Sewer Pipe Reinforced Concrete Class III 48-Inch	164.000 LF	_____.	_____.
0254	608.0360 Storm Sewer Pipe Reinforced Concrete Class III 60-Inch	568.000 LF	_____.	_____.
0256	608.0366 Storm Sewer Pipe Reinforced Concrete Class III 66-Inch	520.000 LF	_____.	_____.
0258	608.0372 Storm Sewer Pipe Reinforced Concrete Class III 72-Inch	2,004.000 LF	_____.	_____.
0260	608.0412 Storm Sewer Pipe Reinforced Concrete Class IV 12-Inch	29.000 LF	_____.	_____.
0262	608.0466 Storm Sewer Pipe Reinforced Concrete Class IV 66-Inch	934.000 LF	_____.	_____.



Proposal Schedule of Items

Proposal ID: 20181211016 Project(s): 1500-37-71, 1500-37-72, 1500-47-71, 4570-12-71, 4570-12-72

Federal ID(s): WISC 2018470, N/A, WISC 2018471, WISC 2018472, N/A

SECTION: 0001

Contract Items

Alt Set ID:

Alt Mbr ID:

Proposal Line Number	Item ID Description	Approximate Quantity and Units	Unit Price	Bid Amount
0264	608.3030 Storm Sewer Pipe Class III-A 30-Inch	103.000 LF	_____.	_____.
0266	611.0535 Manhole Covers Type J-Special	63.000 EACH	_____.	_____.
0268	611.0624 Inlet Covers Type H	238.000 EACH	_____.	_____.
0270	611.0630 Inlet Covers Type HM-GJ	1.000 EACH	_____.	_____.
0272	611.0639 Inlet Covers Type H-S	76.000 EACH	_____.	_____.
0274	611.0642 Inlet Covers Type MS	2.000 EACH	_____.	_____.
0276	611.0652 Inlet Covers Type T	2.000 EACH	_____.	_____.
0278	611.1004 Catch Basins 4-FT Diameter	28.000 EACH	_____.	_____.
0280	611.1005 Catch Basins 5-FT Diameter	2.000 EACH	_____.	_____.
0282	611.1006 Catch Basins 6-FT Diameter	1.000 EACH	_____.	_____.
0284	611.1230 Catch Basins 2x3-FT	285.000 EACH	_____.	_____.
0286	611.2004 Manholes 4-FT Diameter	26.000 EACH	_____.	_____.
0288	611.2005 Manholes 5-FT Diameter	24.000 EACH	_____.	_____.
0290	611.2006 Manholes 6-FT Diameter	1.000 EACH	_____.	_____.
0292	611.2007 Manholes 7-FT Diameter	1.000 EACH	_____.	_____.
0294	611.2008 Manholes 8-FT Diameter	6.000 EACH	_____.	_____.



Proposal Schedule of Items

Proposal ID: 20181211016 Project(s): 1500-37-71, 1500-37-72, 1500-47-71, 4570-12-71, 4570-12-72

Federal ID(s): WISC 2018470, N/A, WISC 2018471, WISC 2018472, N/A

SECTION: 0001

Contract Items

Alt Set ID:

Alt Mbr ID:

Proposal Line Number	Item ID Description	Approximate Quantity and Units	Unit Price	Bid Amount
0296	611.2504 Manholes Variable Tee 4-FT Diameter	4.000 EACH	_____.	_____.
0298	611.3003 Inlets 3-FT Diameter	2.000 EACH	_____.	_____.
0300	611.3901 Inlets Median 1 Grate	2.000 EACH	_____.	_____.
0302	611.8115 Adjusting Inlet Covers	2.000 EACH	_____.	_____.
0304	611.8120.S Cover Plates Temporary	8.000 EACH	_____.	_____.
0306	611.9800.S Pipe Grates	2.000 EACH	_____.	_____.
0308	612.0106 Pipe Underdrain 6-Inch	2,215.000 LF	_____.	_____.
0310	612.0406 Pipe Underdrain Wrapped 6-Inch	250.000 LF	_____.	_____.
0312	612.0902.S Insulation Board Polystyrene (inch) 01.2-Inch	2,710.000 SY	_____.	_____.
0314	614.0150 Anchor Assemblies for Steel Plate Beam Guard	4.000 EACH	_____.	_____.
0316	614.0920 Salvaged Rail	2,775.000 LF	_____.	_____.
0318	614.0925 Salvaged Guardrail End Treatments	6.000 EACH	_____.	_____.
0320	614.2300 MGS Guardrail 3	2,173.000 LF	_____.	_____.
0322	614.2500 MGS Thrie Beam Transition	95.000 LF	_____.	_____.
0324	614.2610 MGS Guardrail Terminal EAT	2.000 EACH	_____.	_____.
0326	614.2620 MGS Guardrail Terminal Type 2	2.000 EACH	_____.	_____.





Proposal Schedule of Items

Proposal ID: 20181211016 Project(s): 1500-37-71, 1500-37-72, 1500-47-71, 4570-12-71, 4570-12-72

Federal ID(s): WISC 2018470, N/A, WISC 2018471, WISC 2018472, N/A

SECTION: 0001

Contract Items

Alt Set ID:

Alt Mbr ID:

Proposal Line Number	Item ID Description	Approximate Quantity and Units	Unit Price	Bid Amount
0328	616.0700.S Fence Safety	2,500.000 LF	_____.	_____.
0330	619.1000 Mobilization	1.000 EACH	_____.	_____.
0332	620.0100 Concrete Corrugated Median	4,640.000 SF	_____.	_____.
0334	620.0300 Concrete Median Sloped Nose	2,660.000 SF	_____.	_____.
0336	623.0200 Dust Control Surface Treatment	115,000.000 SY	_____.	_____.
0338	624.0100 Water	1,474.000 MGAL	_____.	_____.
0340	625.0100 Topsoil	62,190.000 SY	_____.	_____.
0342	627.0200 Mulching	28,000.000 SY	_____.	_____.
0344	628.1504 Silt Fence	12,500.000 LF	_____.	_____.
0346	628.1520 Silt Fence Maintenance	74,400.000 LF	_____.	_____.
0348	628.1905 Mobilizations Erosion Control	20.000 EACH	_____.	_____.
0350	628.1910 Mobilizations Emergency Erosion Control	16.000 EACH	_____.	_____.
0352	628.2004 Erosion Mat Class I Type B	1,700.000 SY	_____.	_____.
0354	628.2006 Erosion Mat Urban Class I Type A	43,400.000 SY	_____.	_____.
0356	628.2008 Erosion Mat Urban Class I Type B	5,645.000 SY	_____.	_____.
0358	628.7005 Inlet Protection Type A	324.000 EACH	_____.	_____.



Proposal Schedule of Items

Proposal ID: 20181211016 Project(s): 1500-37-71, 1500-37-72, 1500-47-71, 4570-12-71, 4570-12-72

Federal ID(s): WISC 2018470, N/A, WISC 2018471, WISC 2018472, N/A

SECTION: 0001

Contract Items

Alt Set ID:

Alt Mbr ID:

Proposal Line Number	Item ID Description	Approximate Quantity and Units	Unit Price	Bid Amount
0360	628.7010 Inlet Protection Type B	4.000 EACH	_____.	_____.
0362	628.7015 Inlet Protection Type C	365.000 EACH	_____.	_____.
0364	628.7020 Inlet Protection Type D	65.000 EACH	_____.	_____.
0366	628.7555 Culvert Pipe Checks	3.000 EACH	_____.	_____.
0368	628.7560 Tracking Pads	16.000 EACH	_____.	_____.
0370	628.7570 Rock Bags	245.000 EACH	_____.	_____.
0372	629.0210 Fertilizer Type B	65.500 CWT	_____.	_____.
0374	630.0130 Seeding Mixture No. 30	855.000 LB	_____.	_____.
0376	630.0140 Seeding Mixture No. 40	1,220.000 LB	_____.	_____.
0378	630.0200 Seeding Temporary	230.000 LB	_____.	_____.
0380	630.0300 Seeding Borrow Pit	350.000 LB	_____.	_____.
0382	630.0400 Seeding Nurse Crop	9.000 LB	_____.	_____.
0384	631.0300 Sod Water	675.000 MGAL	_____.	_____.
0386	631.1000 Sod Lawn	10,700.000 SY	_____.	_____.
0388	632.0101 Trees (species) (size) (root) 01. Autumn Gold Ginkgo, 2-Inch Cal., B&B	7.000 EACH	_____.	_____.
0390	632.0101 Trees (species) (size) (root) 02. Common Hackberry, 2-Inch Cal., B&B	12.000 EACH	_____.	_____.



Proposal Schedule of Items

Proposal ID: 20181211016 Project(s): 1500-37-71, 1500-37-72, 1500-47-71, 4570-12-71, 4570-12-72

Federal ID(s): WISC 2018470, N/A, WISC 2018471, WISC 2018472, N/A

SECTION: 0001 Contract Items

Alt Set ID: Alt Mbr ID:

Proposal Line Number	Item ID Description	Approximate Quantity and Units	Unit Price	Bid Amount
0392	632.0101 Trees (species) (size) (root) 03. Espresso Kentucky Coffeetree, 2-Inch Cal., B&B	13.000 EACH	_____.	_____.
0394	632.0101 Trees (species) (size) (root) 04. Regal Elm, 2-Inch Cal., B&B	8.000 EACH	_____.	_____.
0396	632.0101 Trees (species) (size) (root) 05. Red Maple, 2-Inch Cal., B&B	9.000 EACH	_____.	_____.
0398	632.0101 Trees (species) (size) (root) 06. Redmond Linden, 2-Inch Cal., B&B	11.000 EACH	_____.	_____.
0400	632.0101 Trees (species) (size) (root) 07. Skyline Honeylocust, 2-Inch Cal., B&B	14.000 EACH	_____.	_____.
0402	632.0101 Trees (species) (size) (root) 08. Swamp White Oak, 2-Inch Cal., B&B	12.000 EACH	_____.	_____.
0404	632.0101 Trees (species) (size) (root) 09. Autumn Brilliance Serviceberry, 1.5-Inch Cal., B&B	21.000 EACH	_____.	_____.
0406	632.0101 Trees (species) (size) (root) 10. Colorado Blue Spruce, 6-Foot HT. Cal., B&B	11.000 EACH	_____.	_____.
0408	632.0101 Trees (species) (size) (root) 11. Schubert Chokecherry, 6-Foot HT., B&B	12.000 EACH	_____.	_____.
0410	632.0101 Trees (species) (size) (root) 12. Crusader Thornless Cockspur Hawthorn, 1.5-Inch Cal., B&B	12.000 EACH	_____.	_____.
0412	632.0101 Trees (species) (size) (root) 13. Spring Snow Crabapple, 1.5-Inch Cal., B&B	4.000 EACH	_____.	_____.
0414	632.0201 Shrubs (species) (size) (root) 01. Plumosa Creeping Juniper, 6-Inch HT., CG	111.000 EACH	_____.	_____.



Proposal Schedule of Items

Proposal ID: 20181211016 Project(s): 1500-37-71, 1500-37-72, 1500-47-71, 4570-12-71, 4570-12-72

Federal ID(s): WISC 2018470, N/A, WISC 2018471, WISC 2018472, N/A

SECTION: 0001

Contract Items

Alt Set ID:

Alt Mbr ID:

Proposal Line Number	Item ID Description	Approximate Quantity and Units	Unit Price	Bid Amount
0416	632.0201 Shrubs (species) (size) (root) 02. Staghorn Sumac, 2-Foot HT., CG	11.000 EACH	_____.	_____.
0418	632.9101 Landscape Planting Surveillance and Care Cycles	20.000 EACH	_____.	_____.
0420	634.0612 Posts Wood 4x6-Inch X 12-FT	7.000 EACH	_____.	_____.
0422	634.0614 Posts Wood 4x6-Inch X 14-FT	108.000 EACH	_____.	_____.
0424	634.0616 Posts Wood 4x6-Inch X 16-FT	74.000 EACH	_____.	_____.
0426	634.0618 Posts Wood 4x6-Inch X 18-FT	18.000 EACH	_____.	_____.
0428	634.0622 Posts Wood 4x6-Inch X 22-FT	1.000 EACH	_____.	_____.
0430	637.0620 Sign Flags Permanent Type II	12.000 EACH	_____.	_____.
0432	637.2210 Signs Type II Reflective H	1,571.140 SF	_____.	_____.
0434	637.2215 Signs Type II Reflective H Folding	193.960 SF	_____.	_____.
0436	637.2230 Signs Type II Reflective F	308.250 SF	_____.	_____.
0438	638.2102 Moving Signs Type II	1.000 EACH	_____.	_____.
0440	638.2602 Removing Signs Type II	245.000 EACH	_____.	_____.
0442	638.3000 Removing Small Sign Supports	151.000 EACH	_____.	_____.
0444	638.3155 Removing Overhead Sign Supports Full Span (structure) 01. S-36-025	1.000 EACH	_____.	_____.



Proposal Schedule of Items

Proposal ID: 20181211016 Project(s): 1500-37-71, 1500-37-72, 1500-47-71, 4570-12-71, 4570-12-72

Federal ID(s): WISC 2018470, N/A, WISC 2018471, WISC 2018472, N/A

SECTION: 0001

Contract Items

Alt Set ID:

Alt Mbr ID:

Proposal Line Number	Item ID Description	Approximate Quantity and Units	Unit Price	Bid Amount
0446	638.3155 Removing Overhead Sign Supports Full Span (structure) 02. S-36-034	1.000 EACH	_____.	_____.
0448	638.3155 Removing Overhead Sign Supports Full Span (structure) 03. S-36-35	1.000 EACH	_____.	_____.
0450	638.4000 Moving Small Sign Supports	1.000 EACH	_____.	_____.
0452	641.8100 Overhead Sign Support (structure) 01. S-36-18	LS	LUMP SUM	_____.
0454	641.8100 Overhead Sign Support (structure) 02. S-36-19	LS	LUMP SUM	_____.
0456	642.5401 Field Office Type D	1.000 EACH	_____.	_____.
0458	643.0300 Traffic Control Drums	137,760.000 DAY	_____.	_____.
0460	643.0420 Traffic Control Barricades Type III	33,600.000 DAY	_____.	_____.
0462	643.0500 Traffic Control Flexible Tubular Marker Posts	70.000 EACH	_____.	_____.
0464	643.0600 Traffic Control Flexible Tubular Marker Bases	70.000 EACH	_____.	_____.
0466	643.0705 Traffic Control Warning Lights Type A	58,200.000 DAY	_____.	_____.
0468	643.0715 Traffic Control Warning Lights Type C	10,660.000 DAY	_____.	_____.
0470	643.0800 Traffic Control Arrow Boards	360.000 DAY	_____.	_____.
0472	643.0900 Traffic Control Signs	180,774.000 DAY	_____.	_____.
0474	643.0910 Traffic Control Covering Signs Type I	7.000 EACH	_____.	_____.



Proposal Schedule of Items

Proposal ID: 20181211016 Project(s): 1500-37-71, 1500-37-72, 1500-47-71, 4570-12-71, 4570-12-72

Federal ID(s): WISC 2018470, N/A, WISC 2018471, WISC 2018472, N/A

SECTION: 0001

Contract Items

Alt Set ID:

Alt Mbr ID:

Proposal Line Number	Item ID Description	Approximate Quantity and Units	Unit Price	Bid Amount
0476	643.0920 Traffic Control Covering Signs Type II	18.000 EACH	_____.	_____.
0478	643.1000 Traffic Control Signs Fixed Message	118.500 SF	_____.	_____.
0480	643.1050 Traffic Control Signs PCMS	399.000 DAY	_____.	_____.
0482	643.1070 Traffic Control Cones 42-Inch	14,400.000 DAY	_____.	_____.
0484	643.5000 Traffic Control	1.000 EACH	_____.	_____.
0486	644.1410.S Temporary Pedestrian Surface Asphalt	11,655.000 SF	_____.	_____.
0488	644.1601.S Temporary Curb Ramp	73.000 EACH	_____.	_____.
0490	644.1616.S Temporary Pedestrian Safety Fence	7,664.000 LF	_____.	_____.
0492	645.0105 Geotextile Type C	850.000 SY	_____.	_____.
0494	645.0111 Geotextile Type DF Schedule A	1,470.000 SY	_____.	_____.
0496	645.0120 Geotextile Type HR	945.000 SY	_____.	_____.
0498	645.0140 Geotextile Type SAS	100.000 SY	_____.	_____.
0500	645.0220 Geogrid Type SR	2,000.000 SY	_____.	_____.
0502	646.1020 Marking Line Epoxy 4-Inch	8,110.000 LF	_____.	_____.
0504	646.3020 Marking Line Epoxy 8-Inch	4,330.000 LF	_____.	_____.
0506	646.5020 Marking Arrow Epoxy	65.000 EACH	_____.	_____.



Proposal Schedule of Items

Proposal ID: 20181211016 Project(s): 1500-37-71, 1500-37-72, 1500-47-71, 4570-12-71, 4570-12-72

Federal ID(s): WISC 2018470, N/A, WISC 2018471, WISC 2018472, N/A

SECTION: 0001 Contract Items

Alt Set ID: Alt Mbr ID:

Proposal Line Number	Item ID Description	Approximate Quantity and Units	Unit Price	Bid Amount
0508	646.5120 Marking Word Epoxy	17.000 EACH	_____.	_____.
0510	646.6120 Marking Stop Line Epoxy 18-Inch	890.000 LF	_____.	_____.
0514	646.7120 Marking Diagonal Epoxy 12-Inch	50.000 LF	_____.	_____.
0516	646.7420 Marking Crosswalk Epoxy Transverse Line 6-Inch	5,620.000 LF	_____.	_____.
0518	646.8120 Marking Curb Epoxy	920.000 LF	_____.	_____.
0520	646.8220 Marking Island Nose Epoxy	72.000 EACH	_____.	_____.
0522	646.9000 Marking Removal Line 4-Inch	15.000 LF	_____.	_____.
0524	646.9010 Marking Removal Line Water Blasting 4-Inch	1,375.000 LF	_____.	_____.
0526	646.9100 Marking Removal Line 8-Inch	410.000 LF	_____.	_____.
0528	646.9110 Marking Removal Line Water Blasting 8-Inch	115.000 LF	_____.	_____.
0530	646.9300 Marking Removal Special Marking	3.000 EACH	_____.	_____.
0532	646.9310 Marking Removal Special Marking Water Blasting	5.000 EACH	_____.	_____.
0534	649.0105 Temporary Marking Line Paint 4-Inch	5,410.000 LF	_____.	_____.
0536	649.0150 Temporary Marking Line Removable Tape 4-Inch	8,155.000 LF	_____.	_____.
0538	650.4000 Construction Staking Storm Sewer	403.000 EACH	_____.	_____.



Proposal Schedule of Items

Proposal ID: 20181211016 Project(s): 1500-37-71, 1500-37-72, 1500-47-71, 4570-12-71, 4570-12-72

Federal ID(s): WISC 2018470, N/A, WISC 2018471, WISC 2018472, N/A

SECTION: 0001

Contract Items

Alt Set ID:

Alt Mbr ID:

Proposal Line Number	Item ID Description	Approximate Quantity and Units	Unit Price	Bid Amount
0540	650.4500 Construction Staking Subgrade	28,564.000 LF	_____.	_____.
0542	650.5000 Construction Staking Base	140.000 LF	_____.	_____.
0544	650.5500 Construction Staking Curb Gutter and Curb & Gutter	260.000 LF	_____.	_____.
0546	650.6500 Construction Staking Structure Layout (structure) 01. B-36-29	LS	LUMP SUM	_____.
0548	650.6500 Construction Staking Structure Layout (structure) 02. B-36-232	LS	LUMP SUM	_____.
0550	650.6500 Construction Staking Structure Layout (structure) 03. B-36-900	LS	LUMP SUM	_____.
0552	650.7000 Construction Staking Concrete Pavement	28,424.000 LF	_____.	_____.
0554	650.8000 Construction Staking Resurfacing Reference	3,200.000 LF	_____.	_____.
0556	650.8500 Construction Staking Electrical Installations (project) 01. 1500-37-71	LS	LUMP SUM	_____.
0558	650.8500 Construction Staking Electrical Installations (project) 02. 1500-47-71	LS	LUMP SUM	_____.
0560	650.8500 Construction Staking Electrical Installations (project) 03. 4570-12-71	LS	LUMP SUM	_____.
0562	650.9910 Construction Staking Supplemental Control (project) 01. 1500-37-71	LS	LUMP SUM	_____.
0564	650.9910 Construction Staking Supplemental Control (project) 02. 1500-47-71	LS	LUMP SUM	_____.





Proposal Schedule of Items

Proposal ID: 20181211016 Project(s): 1500-37-71, 1500-37-72, 1500-47-71, 4570-12-71, 4570-12-72

Federal ID(s): WISC 2018470, N/A, WISC 2018471, WISC 2018472, N/A

SECTION: 0001

Contract Items

Alt Set ID:

Alt Mbr ID:

Proposal Line Number	Item ID Description	Approximate Quantity and Units	Unit Price	Bid Amount
0566	650.9910 Construction Staking Supplemental Control (project) 03. 4570-12-71	LS	LUMP SUM	_____.
0568	650.9920 Construction Staking Slope Stakes	28,564.000 LF	_____.	_____.
0570	652.0225 Conduit Rigid Nonmetallic Schedule 40 2-Inch	14,073.000 LF	_____.	_____.
0572	652.0235 Conduit Rigid Nonmetallic Schedule 40 3-Inch	3,706.000 LF	_____.	_____.
0574	652.0615 Conduit Special 3-Inch	690.000 LF	_____.	_____.
0576	652.0800 Conduit Loop Detector	4,224.000 LF	_____.	_____.
0578	653.0135 Pull Boxes Steel 24x36-Inch	20.000 EACH	_____.	_____.
0580	653.0140 Pull Boxes Steel 24x42-Inch	42.000 EACH	_____.	_____.
0582	653.0905 Removing Pull Boxes	71.000 EACH	_____.	_____.
0584	654.0101 Concrete Bases Type 1	28.000 EACH	_____.	_____.
0586	654.0102 Concrete Bases Type 2	4.000 EACH	_____.	_____.
0588	654.0110 Concrete Bases Type 10	2.000 EACH	_____.	_____.
0590	654.0113 Concrete Bases Type 13	10.000 EACH	_____.	_____.
0592	654.0217 Concrete Control Cabinet Bases Type 9 Special	4.000 EACH	_____.	_____.
0594	655.0230 Cable Traffic Signal 5-14 AWG	1,815.000 LF	_____.	_____.



Proposal Schedule of Items

Proposal ID: 20181211016 Project(s): 1500-37-71, 1500-37-72, 1500-47-71, 4570-12-71, 4570-12-72

Federal ID(s): WISC 2018470, N/A, WISC 2018471, WISC 2018472, N/A

SECTION: 0001

Contract Items

Alt Set ID:

Alt Mbr ID:

Proposal Line Number	Item ID Description	Approximate Quantity and Units	Unit Price	Bid Amount
0596	655.0240 Cable Traffic Signal 7-14 AWG	1,946.000 LF	_____.	_____.
0598	655.0250 Cable Traffic Signal 9-14 AWG	996.000 LF	_____.	_____.
0600	655.0260 Cable Traffic Signal 12-14 AWG	2,395.000 LF	_____.	_____.
0602	655.0270 Cable Traffic Signal 15-14 AWG	2,046.000 LF	_____.	_____.
0604	655.0515 Electrical Wire Traffic Signals 10 AWG	5,208.000 LF	_____.	_____.
0606	655.0610 Electrical Wire Lighting 12 AWG	19,050.000 LF	_____.	_____.
0608	655.0620 Electrical Wire Lighting 8 AWG	4,692.000 LF	_____.	_____.
0610	655.0700 Loop Detector Lead In Cable	12,095.000 LF	_____.	_____.
0612	655.0800 Loop Detector Wire	14,178.000 LF	_____.	_____.
0614	656.0200 Electrical Service Meter Breaker Pedestal (location) 01. USH 10 & CTH R	LS	LUMP SUM	_____.
0616	656.0200 Electrical Service Meter Breaker Pedestal (location) 02. USH 10 & 18th Street	LS	LUMP SUM	_____.
0618	656.0200 Electrical Service Meter Breaker Pedestal (location) 03. USH 10 & 11th Street	LS	LUMP SUM	_____.
0620	656.0200 Electrical Service Meter Breaker Pedestal (location) 04. USH 10 & 8th Avenue	LS	LUMP SUM	_____.
0622	657.0100 Pedestal Bases	28.000 EACH	_____.	_____.



Proposal Schedule of Items

Proposal ID: 20181211016 Project(s): 1500-37-71, 1500-37-72, 1500-47-71, 4570-12-71, 4570-12-72

Federal ID(s): WISC 2018470, N/A, WISC 2018471, WISC 2018472, N/A

SECTION: 0001

Contract Items

Alt Set ID:

Alt Mbr ID:

Proposal Line Number	Item ID Description	Approximate Quantity and Units	Unit Price	Bid Amount
0624	657.0255 Transformer Bases Breakaway 11 1/2-Inch Bolt Circle	4.000 EACH	_____.	_____.
0626	657.0305 Poles Type 2	2.000 EACH	_____.	_____.
0628	657.0310 Poles Type 3	2.000 EACH	_____.	_____.
0630	657.0345 Poles Type 9	1.000 EACH	_____.	_____.
0632	657.0350 Poles Type 10	1.000 EACH	_____.	_____.
0634	657.0355 Poles Type 12	1.000 EACH	_____.	_____.
0636	657.0360 Poles Type 13	10.000 EACH	_____.	_____.
0638	657.0425 Traffic Signal Standards Aluminum 15-FT	21.000 EACH	_____.	_____.
0640	657.0430 Traffic Signal Standards Aluminum 10-FT	7.000 EACH	_____.	_____.
0642	657.0530 Monotube Arms 30-FT	2.000 EACH	_____.	_____.
0644	657.0535 Monotube Arms 35-FT	2.000 EACH	_____.	_____.
0646	657.0545 Monotube Arms 45-FT	7.000 EACH	_____.	_____.
0648	657.0550 Monotube Arms 50-FT	1.000 EACH	_____.	_____.
0650	657.0555 Monotube Arms 55-FT	1.000 EACH	_____.	_____.
0652	657.0590 Trombone Arms 20-FT	1.000 EACH	_____.	_____.
0654	657.0595 Trombone Arms 25-FT	3.000 EACH	_____.	_____.



Proposal Schedule of Items

Proposal ID: 20181211016 Project(s): 1500-37-71, 1500-37-72, 1500-47-71, 4570-12-71, 4570-12-72

Federal ID(s): WISC 2018470, N/A, WISC 2018471, WISC 2018472, N/A

SECTION: 0001

Contract Items

Alt Set ID:

Alt Mbr ID:

Proposal Line Number	Item ID Description	Approximate Quantity and Units	Unit Price	Bid Amount
0656	657.0815 Luminaire Arms Steel 15-FT	10.000 EACH	_____.	_____.
0658	658.0173 Traffic Signal Face 3S 12-Inch	47.000 EACH	_____.	_____.
0660	658.0174 Traffic Signal Face 4S 12-Inch	22.000 EACH	_____.	_____.
0662	658.0416 Pedestrian Signal Face 16-Inch	24.000 EACH	_____.	_____.
0664	658.0500 Pedestrian Push Buttons	27.000 EACH	_____.	_____.
0666	658.5069 Signal Mounting Hardware (location) 01. USH 10 & CTH R	LS	LUMP SUM	_____.
0668	658.5069 Signal Mounting Hardware (location) 02. USH 10 & 18th Street	LS	LUMP SUM	_____.
0670	658.5069 Signal Mounting Hardware (location) 03. USH 10 & 11th Street	LS	LUMP SUM	_____.
0672	658.5069 Signal Mounting Hardware (location) 04. USH 10 & 8th Avenue	LS	LUMP SUM	_____.
0674	690.0150 Sawing Asphalt	769.000 LF	_____.	_____.
0676	690.0250 Sawing Concrete	8,990.000 LF	_____.	_____.
0678	715.0415 Incentive Strength Concrete Pavement	26,431.000 DOL	1.00000	26,431.00
0680	715.0502 Incentive Strength Concrete Structures	8,358.000 DOL	1.00000	8,358.00
0682	715.0710 Optimized Aggregate Gradation Incentive	69,223.000 DOL	1.00000	69,223.00
0684	801.0117 Railroad Flagging Reimbursement	16,250.000 DOL	1.00000	16,250.00



Proposal Schedule of Items

Proposal ID: 20181211016 Project(s): 1500-37-71, 1500-37-72, 1500-47-71, 4570-12-71, 4570-12-72

Federal ID(s): WISC 2018470, N/A, WISC 2018471, WISC 2018472, N/A

SECTION: 0001

Contract Items

Alt Set ID:

Alt Mbr ID:

Proposal Line Number	Item ID Description	Approximate Quantity and Units	Unit Price	Bid Amount
0686	999.1500.S Crack and Damage Survey	LS	LUMP SUM	_____.
0688	ASP.1T0A On-the-Job Training Apprentice at \$5.00/HR	2,100.000 HRS	5.00000	10,500.00
0690	ASP.1T0G On-the-Job Training Graduate at \$5.00/HR	5,760.000 HRS	5.00000	28,800.00
0692	SPV.0035 Special 01. Planting Soil Mix	335.000 CY	_____.	_____.
0694	SPV.0035 Special 02. Removing Buried Cattle Pass, Station 161+35	10.000 CY	_____.	_____.
0696	SPV.0060 Special 01. Inlet Covers Type DW	1.000 EACH	_____.	_____.
0698	SPV.0060 Special 02. Inlet Covers Type BH	2.000 EACH	_____.	_____.
0700	SPV.0060 Special 03. Manhole Covers Bolted	11.000 EACH	_____.	_____.
0702	SPV.0060 Special 04. Inlet Adjustment Castings	39.000 EACH	_____.	_____.
0704	SPV.0060 Special 05. Manhole Adjustment Castings	10.000 EACH	_____.	_____.
0706	SPV.0060 Special 06. Water Valve Adjustment Castings	10.000 EACH	_____.	_____.
0708	SPV.0060 Special 07. Apron Endwalls For Culvert Pipe Reinf Conc Horizontal Elliptical 72x113-Inch	1.000 EACH	_____.	_____.
0710	SPV.0060 Special 08. Manholes 10-FT	12.000 EACH	_____.	_____.
0712	SPV.0060 Special 09. Manholes 9.5x16-FT	1.000 EACH	_____.	_____.



Proposal Schedule of Items

Proposal ID: 20181211016 Project(s): 1500-37-71, 1500-37-72, 1500-47-71, 4570-12-71, 4570-12-72

Federal ID(s): WISC 2018470, N/A, WISC 2018471, WISC 2018472, N/A

SECTION: 0001

Contract Items

Alt Set ID:

Alt Mbr ID:

Proposal Line Number	Item ID Description	Approximate Quantity and Units	Unit Price	Bid Amount
0714	SPV.0060 Special 10. Mini Storm Cleanout	33.000 EACH	_____.	_____.
0716	SPV.0060 Special 100. Removing Fire Hydrants	11.000 EACH	_____.	_____.
0718	SPV.0060 Special 101. Removing Valve, Valve Manholes, and Valve Boxes	38.000 EACH	_____.	_____.
0720	SPV.0060 Special 102. Gate Valve and Box 6-Inch	16.000 EACH	_____.	_____.
0722	SPV.0060 Special 103. Gate Valve and Box 8-Inch	28.000 EACH	_____.	_____.
0724	SPV.0060 Special 104. Gate Valve and Box 10-Inch	1.000 EACH	_____.	_____.
0726	SPV.0060 Special 105. Gate Valve and Box 12-Inch	35.000 EACH	_____.	_____.
0728	SPV.0060 Special 106. Fire Hydrant	14.000 EACH	_____.	_____.
0730	SPV.0060 Special 107. Water Service Corporation Stop & Curb Stop and Box 1 1/4-Inch	100.000 EACH	_____.	_____.
0732	SPV.0060 Special 108. Connect to Existing Water Main	40.000 EACH	_____.	_____.
0734	SPV.0060 Special 109. Connect to Existing Water Service	100.000 EACH	_____.	_____.
0736	SPV.0060 Special 11. Concrete Cap Over Sanitary Sewer	1.000 EACH	_____.	_____.
0738	SPV.0060 Special 110. Adjusting Water Valve Box	7.000 EACH	_____.	_____.
0740	SPV.0060 Special 111. Adjusting Water Service Curb Stop	11.000 EACH	_____.	_____.



Proposal Schedule of Items

Proposal ID: 20181211016 Project(s): 1500-37-71, 1500-37-72, 1500-47-71, 4570-12-71, 4570-12-72

Federal ID(s): WISC 2018470, N/A, WISC 2018471, WISC 2018472, N/A

SECTION: 0001

Contract Items

Alt Set ID:

Alt Mbr ID:

Proposal Line Number	Item ID Description	Approximate Quantity and Units	Unit Price	Bid Amount
0742	SPV.0060 Special 112. Water Service Corporation Stop & Curb Stop and Box 1-Inch	15.000 EACH	_____.	_____.
0744	SPV.0060 Special 12. Utility Line Openings	40.000 EACH	_____.	_____.
0746	SPV.0060 Special 13. Walker's Low Blue Catmint	228.000 EACH	_____.	_____.
0748	SPV.0060 Special 20. Salvage Light Poles and Remove Concrete Bases	21.000 EACH	_____.	_____.
0750	SPV.0060 Special 200. Sanitary Manhole Casting Type J	61.000 EACH	_____.	_____.
0752	SPV.0060 Special 201. Sanitary Manhole Chimney Seal	3.000 EACH	_____.	_____.
0754	SPV.0060 Special 202. Remove Existing Sanitary Sewer Manhole	47.000 EACH	_____.	_____.
0756	SPV.0060 Special 203. Reconstruct Manhole Bench	1.000 EACH	_____.	_____.
0758	SPV.0060 Special 204. Reconnect Sanitary Sewer Lateral	108.000 EACH	_____.	_____.
0760	SPV.0060 Special 21. Concrete Bases Type 7 Special	54.000 EACH	_____.	_____.
0762	SPV.0060 Special 22. Concrete Bases Type 8 Special	6.000 EACH	_____.	_____.
0764	SPV.0060 Special 23. Composite Light Poles 40-FT	60.000 EACH	_____.	_____.
0766	SPV.0060 Special 24. Luminaire Arms Aluminum 6-FT	1.000 EACH	_____.	_____.



Proposal Schedule of Items

Proposal ID: 20181211016 Project(s): 1500-37-71, 1500-37-72, 1500-47-71, 4570-12-71, 4570-12-72

Federal ID(s): WISC 2018470, N/A, WISC 2018471, WISC 2018472, N/A

SECTION: 0001

Contract Items

Alt Set ID:

Alt Mbr ID:

Proposal Line Number	Item ID Description	Approximate Quantity and Units	Unit Price	Bid Amount
0768	SPV.0060 Special 25. Luminaire Arms Aluminum 8-FT	66.000 EACH	_____.	_____.
0770	SPV.0060 Special 26. Luminaire Arms Aluminum 15-FT	23.000 EACH	_____.	_____.
0772	SPV.0060 Special 27. Luminaire LED	85.000 EACH	_____.	_____.
0774	SPV.0060 Special 28. Luminaire LED Special	2.000 EACH	_____.	_____.
0776	SPV.0060 Special 29. Luminaire LED RAB	13.000 EACH	_____.	_____.
0778	SPV.0060 Special 30. Lighting Pull Box	80.000 EACH	_____.	_____.
0780	SPV.0085 Special 01. Seeding Switchgrass	37.000 LB	_____.	_____.
0782	SPV.0090 Special 01. Concrete Curb and Gutter Integral 18-Inch Type D Special	34,590.000 LF	_____.	_____.
0784	SPV.0090 Special 02. Storm Sewer Pipe Concrete Horizontal Elliptical Class HE-III 72x113-Inch	57.000 LF	_____.	_____.
0786	SPV.0090 Special 03. Storm Sewer Pipe PVC 6-Inch	8.000 LF	_____.	_____.
0788	SPV.0090 Special 04. Storm Sewer Pipe PVC 12-Inch	36.000 LF	_____.	_____.
0790	SPV.0090 Special 05. Mini Storm 6-Inch	6,015.000 LF	_____.	_____.
0792	SPV.0090 Special 06. Mini Storm 8-Inch	30.000 LF	_____.	_____.
0794	SPV.0090 Special 07. Televising Sewers	20,425.000 LF	_____.	_____.





Proposal Schedule of Items

Proposal ID: 20181211016 Project(s): 1500-37-71, 1500-37-72, 1500-47-71, 4570-12-71, 4570-12-72

Federal ID(s): WISC 2018470, N/A, WISC 2018471, WISC 2018472, N/A

SECTION: 0001 Contract Items

Alt Set ID: Alt Mbr ID:

Proposal Line Number	Item ID Description	Approximate Quantity and Units	Unit Price	Bid Amount
0796	SPV.0090 Special 08. Marking Epoxy 6-Inch	90.000 LF	_____.	_____.
0798	SPV.0090 Special 09. Marking Crosswalk Epoxy Transverse Line 12-Inch	3,700.000 LF	_____.	_____.
0800	SPV.0090 Special 10. Removing and Reinstall Chain Link Fence	30.000 LF	_____.	_____.
0802	SPV.0090 Special 100. Watermain Pipe 6-Inch	330.000 LF	_____.	_____.
0804	SPV.0090 Special 101. Watermain Pipe 8-Inch	2,161.000 LF	_____.	_____.
0806	SPV.0090 Special 102. Watermain Pipe 10-Inch	121.000 LF	_____.	_____.
0808	SPV.0090 Special 103. Watermain Pipe 12-Inch	8,550.000 LF	_____.	_____.
0810	SPV.0090 Special 104. Watermain Pipe 24-Inch	33.000 LF	_____.	_____.
0812	SPV.0090 Special 105. Water Service Pipe 1 1/4-Inch	4,416.000 LF	_____.	_____.
0814	SPV.0090 Special 106. Water Service Pipe 1-Inch	700.000 LF	_____.	_____.
0816	SPV.0090 Special 11. Fence Chain Link Polymer-Coated 6-Ft	500.000 LF	_____.	_____.
0818	SPV.0090 Special 12. Gates Chain Link Polymer-Coated 10-Ft Wide	20.000 LF	_____.	_____.
0820	SPV.0090 Special 13. Steel Casing Pipe 42-Inch	72.000 LF	_____.	_____.
0822	SPV.0090 Special 14. Marking Diagonal Epoxy 6-Inch	140.000 LF	_____.	_____.



Proposal Schedule of Items

Proposal ID: 20181211016 Project(s): 1500-37-71, 1500-37-72, 1500-47-71, 4570-12-71, 4570-12-72

Federal ID(s): WISC 2018470, N/A, WISC 2018471, WISC 2018472, N/A

SECTION: 0001

Contract Items

Alt Set ID:

Alt Mbr ID:

Proposal Line Number	Item ID Description	Approximate Quantity and Units	Unit Price	Bid Amount
0824	SPV.0090 Special 15. Marking Line Yield Line Epoxy 18-Inch	90.000 LF	_____.	_____.
0826	SPV.0090 Special 200. Furnishing and Installing Sanitary Sewer Pipe 8-inch	1,518.000 LF	_____.	_____.
0828	SPV.0090 Special 201. Furnishing and Installing Sanitary Sewer Pipe 10-Inch	649.000 LF	_____.	_____.
0830	SPV.0090 Special 202. Furnishing and Installing Sanitary Sewer Pipe 12-Inch	193.000 LF	_____.	_____.
0832	SPV.0090 Special 203. Furnishing and Installing Sanitary Sewer Pipe 21-Inch	598.000 LF	_____.	_____.
0834	SPV.0090 Special 204. Furnishing and Relaying Sanitary Sewer Pipe 8-inch	644.000 LF	_____.	_____.
0836	SPV.0090 Special 205. Furnishing and Relaying Sanitary Sewer Pipe 10-inch	29.000 LF	_____.	_____.
0838	SPV.0090 Special 206. Furnishing and Relaying Sanitary Sewer Pipe 12-inch	2,128.000 LF	_____.	_____.
0840	SPV.0090 Special 207. Furnishing and Relaying Sanitary Sewer Pipe 15-inch	50.000 LF	_____.	_____.
0842	SPV.0090 Special 208. Furnishing and Relaying Sanitary Sewer Pipe 18-inch	41.000 LF	_____.	_____.
0844	SPV.0090 Special 209. Furnishing and Relaying Sanitary Sewer Pipe 24-inch	55.000 LF	_____.	_____.
0846	SPV.0090 Special 210. Removing Existing Sanitary Sewer	1,268.000 LF	_____.	_____.
0848	SPV.0090 Special 211. Sanitary Lateral 6-Inch	3,933.000 LF	_____.	_____.



Proposal Schedule of Items

Proposal ID: 20181211016 Project(s): 1500-37-71, 1500-37-72, 1500-47-71, 4570-12-71, 4570-12-72

Federal ID(s): WISC 2018470, N/A, WISC 2018471, WISC 2018472, N/A

SECTION: 0001

Contract Items

Alt Set ID:

Alt Mbr ID:

Proposal Line Number	Item ID Description	Approximate Quantity and Units	Unit Price	Bid Amount
0850	SPV.0090 Special 212. Sanitary Lateral Risers	186.000 LF	_____.	_____.
0852	SPV.0090 Special 213. Abandoning Sanitary Sewer	1,785.000 LF	_____.	_____.
0854	SPV.0105 Special 01. Grading and Shaping Emergency Vehicle Railroad Crossing	LS	LUMP SUM	_____.
0856	SPV.0105 Special 02. Construction Staking Emergency Vehicle Railroad Crossing	LS	LUMP SUM	_____.
0858	SPV.0105 Special 03. Construction Staking Trees and Landscaping Project 1500-37-71	LS	LUMP SUM	_____.
0860	SPV.0105 Special 04. Construction Staking Trees and Landscaping Project 4570-12-71	LS	LUMP SUM	_____.
0862	SPV.0105 Special 05. Preservation of Existing Monuments Project 1500-37-71	LS	LUMP SUM	_____.
0864	SPV.0105 Special 06. Preservation of Existing Monuments Project 1500-47-71	LS	LUMP SUM	_____.
0866	SPV.0105 Special 07. Preservation of Existing Monuments Project 4570-12-71	LS	LUMP SUM	_____.
0868	SPV.0105 Special 08. Verify and Restoring of Existing Monuments Project 1500-37-71	LS	LUMP SUM	_____.
0870	SPV.0105 Special 09. Verify and Restoring of Existing Monuments Project 1500-47-71	LS	LUMP SUM	_____.
0872	SPV.0105 Special 10. Verify and Restoring of Existing Monuments Project 4570-12-71	LS	LUMP SUM	_____.
0878	SPV.0105 Special 102. Abandoning Water Main and Appurtenances, Project 1500-37-72	LS	LUMP SUM	_____.



Proposal Schedule of Items

Proposal ID: 20181211016 Project(s): 1500-37-71, 1500-37-72, 1500-47-71, 4570-12-71, 4570-12-72

Federal ID(s): WISC 2018470, N/A, WISC 2018471, WISC 2018472, N/A

SECTION: 0001

Contract Items

Alt Set ID:

Alt Mbr ID:

Proposal Line Number	Item ID Description	Approximate Quantity and Units	Unit Price	Bid Amount
0880	SPV.0105 Special 103. Abandoning Water Main and Appurtenances, Project 4570-12-72	LS	LUMP SUM	_____.
0882	SPV.0105 Special 11. Rectangular Rapid Flashing Beacon (RRFB) System	LS	LUMP SUM	_____.
0884	SPV.0105 Special 12. Salvage & Reinstall Rectangular Rapid Flashing Beacon (RRFB) System	LS	LUMP SUM	_____.
0886	SPV.0105 Special 13. Waterway Isolation for Box Culvert B-36-0232	LS	LUMP SUM	_____.
0888	SPV.0105 Special 14. Grading and Shaping Outfall Dissipator	LS	LUMP SUM	_____.
0890	SPV.0105 Special 61. Remove Traffic Signals USH 10 & CTH R	LS	LUMP SUM	_____.
0892	SPV.0105 Special 62. Remove Traffic Signals USH 10 & 18th Street	LS	LUMP SUM	_____.
0894	SPV.0105 Special 63. Remove Traffic Signals USH 10 & 11th Street	LS	LUMP SUM	_____.
0896	SPV.0105 Special 64. Remove Traffic Signals USH 10 & 8th Street	LS	LUMP SUM	_____.
0898	SPV.0105 Special 65. Remove Loop Detector Wire and Lead-In Cable USH 10 & CTH R	LS	LUMP SUM	_____.
0900	SPV.0105 Special 66. Remove Loop Detector Wire and Lead-In Cable USH 10 & 18th Street	LS	LUMP SUM	_____.
0902	SPV.0105 Special 67. Remove Loop Detector Wire and Lead-In Cable USH 10 & 11th Street	LS	LUMP SUM	_____.
0904	SPV.0105 Special 68. Remove Loop Detector Wire and Lead-In Cable USH 10 & 8th Street	LS	LUMP SUM	_____.



Proposal Schedule of Items

Proposal ID: 20181211016 Project(s): 1500-37-71, 1500-37-72, 1500-47-71, 4570-12-71, 4570-12-72

Federal ID(s): WISC 2018470, N/A, WISC 2018471, WISC 2018472, N/A

SECTION: 0001

Contract Items

Alt Set ID:

Alt Mbr ID:

Proposal Line Number	Item ID Description	Approximate Quantity and Units	Unit Price	Bid Amount
0906	SPV.0105 Special 69. Traffic Signal Cabinet & Controller Fully Actuated 8 Phase USH 10 & CTH R	LS	LUMP SUM	_____.
0908	SPV.0105 Special 70. Traffic Signal Cabinet & Controller Fully Actuated 8 Phase USH 10 & 18th Str	LS	LUMP SUM	_____.
0910	SPV.0105 Special 71. Traffic Signal Cabinet & Controller Fully Actuated 8 Phase USH 10 & 11th Str	LS	LUMP SUM	_____.
0912	SPV.0105 Special 72. Traffic Signal Cabinet & Controller Fully Actuated 8 Phase USH 10 & 8th St	LS	LUMP SUM	_____.
0914	SPV.0165 Special 01. Remove and Salvage Brick Pavers	165.000 SF	_____.	_____.
0916	SPV.0165 Special 02. Install Salvaged Brick Pavers	165.000 SF	_____.	_____.
0920	SPV.0180 Special 01. Salvaging and Replacing Concrete Riprap	60.000 SY	_____.	_____.
0922	SPV.0180 Special 02. Shredded Hardwood Bark Mulch	400.000 SY	_____.	_____.
0924	SPV.0195 Special 200. Imported Trench Backfill	5,000.000 TON	_____.	_____.
0926	SPV.0195 Special 201. Trench Stabilization	460.000 TON	_____.	_____.
0928	SPV.0200 Special 200. Sanitary Manhole 4-Foot	580.900 VF	_____.	_____.
0930	SPV.0200 Special 201. Reconstruct Sanitary Manhole	10.100 VF	_____.	_____.
0932	SPV.0200 Special 202. Drop Manhole	119.300 VF	_____.	_____.



Proposal Schedule of Items

Proposal ID: 20181211016 Project(s): 1500-37-71, 1500-37-72, 1500-47-71, 4570-12-71, 4570-12-72

Federal ID(s): WISC 2018470, N/A, WISC 2018471, WISC 2018472, N/A

SECTION: 0001

Contract Items

Alt Set ID:

Alt Mbr ID:

Proposal Line Number	Item ID Description	Approximate Quantity and Units	Unit Price	Bid Amount
0934	509.0310.S Sawing Pavement Deck Preparation Areas	60.000 LF	_____.	_____.
0936	509.2100.S Concrete Masonry Deck Repair	5.000 CY	_____.	_____.
0938	SPV.0090 Special 14. Steel Casing Pipe 20-Inch	80.000 LF	_____.	_____.
0940	SPV.0105 Special 73. Storm Sewer Pipe PVC 12-Inch Affixed to Existing Sewer	LS	LUMP SUM	_____.
0942	SPV.0105 Special 104. Water Main Trench Backfill Testing Project 1500-37-72	LS	LUMP SUM	_____.
0944	SPV.0105 Special 105. Water Main Trench Backfill Testing Project 4570-12-72	LS	LUMP SUM	_____.
0946	SPV.0105 Special 106. Sanitary Sewer Trench Backfill Testing Project 1500-37-72	LS	LUMP SUM	_____.
0948	SPV.0105 Special 107. Sanitary Sewer Trench Backfill Testing Project 4570-12-72	LS	LUMP SUM	_____.
0950	SPV.0165 Special 101. Trench Insulation 4-Inch	1,344.000 SF	_____.	_____.
Section: 0001			Total:	_____.
			Total Bid:	_____.