



Wisconsin Department of Transportation

March 28, 2019

Division of Transportation Systems Development

Bureau of Project Development
4822 Madison Yards Way, 4th Floor South
Madison, WI 53705

Telephone: (608) 266-1631
Facsimile (FAX): (608) 266-8459

NOTICE TO ALL CONTRACTORS:

**Proposal #03: 1204-05-72, WISC 20192 12
Dodgeville – Mount Horeb
USH 151 to E County Line
USH 18
Iowa County**

Letting of April 9, 2019

This is Addendum No. 02, which provides for the following:

Schedule of Items:

Revised Bid Item Quantities					
Bid Item	Item Description	Unit	Old Quantity	Revised Quantity	Proposal Total
305.0500	Shaping Shoulders	STA	3,000	-85	2,915

Plan Sheets:

Revised Plan Sheets	
Plan Sheet	Plan Sheet Title (brief description of changes to sheet)
37-49	Corrects a discrepancy between the pavement marking legend and the items shown in the miscellaneous quantities. Also fixes an incorrect call-out on page 39.
77-79	Reassigns the stages under which shaping shoulders are applicable. Also slightly modifies the quantity after a calculation discrepancy was discovered.

Schedule of Items

Attached, dated March 28, 2019, are the revised Schedule of Items Page 2.

Plan Sheets

The following 8½ x 11-inch sheets are attached and made part of the plans for this proposal:

Revised: 37-49, 77-79

The responsibility for notifying potential subcontractors and suppliers of these changes remains with the prime contractor.

Sincerely,

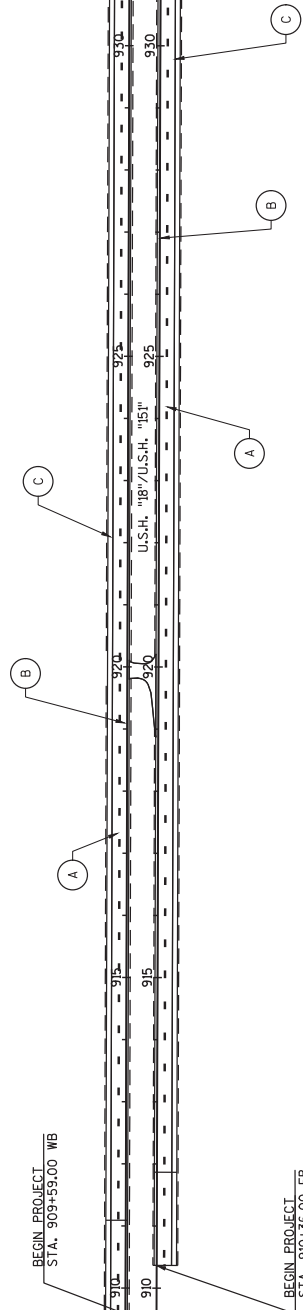
Mike Coleman

Proposal Development Specialist
Proposal Management Section

END OF ADDENDUM



MATCH LINE 938+50.00

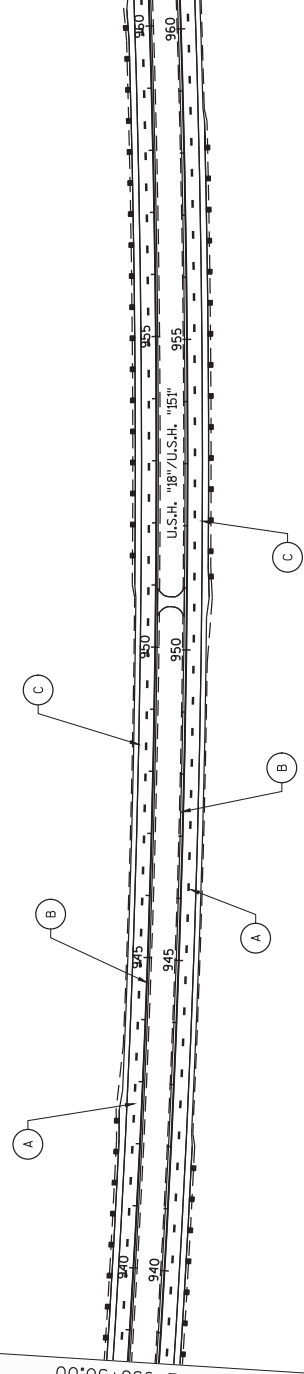


BEGIN PROJECT STA. 909+59.00 WB

BEGIN PROJECT STA. 910+36.00 EB



MATCH LINE 968+50.00



Addendum No. 02
 ID 1204-05-72
 Revised Sheet 37
 March 28, 2019

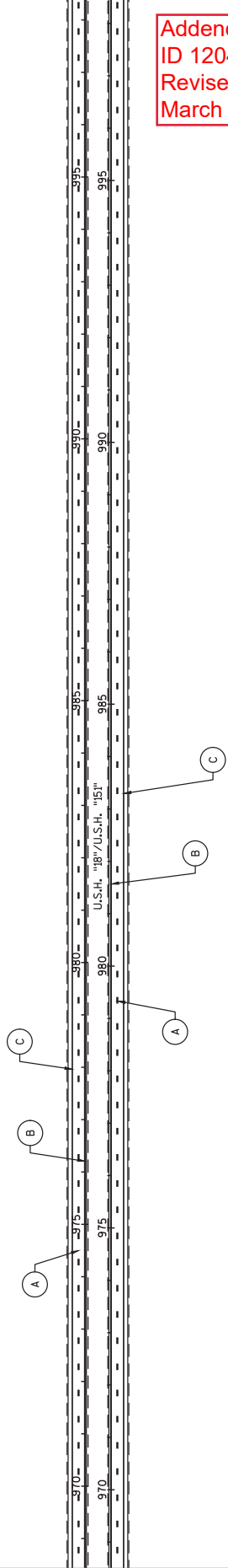
- PAVEMENT MARKING LEGEND**
- A MARKING LINE GROOVED WET REF CONTRAST TAPE 4-INCH (WHITE SKIP)(2.5SEC., 37.5"GAP)
 - B MARKING LINE GROOVED WET REF EPOXY 4-INCH (YELLOW)
 - C MARKING LINE GROOVED WET REF EPOXY 4-INCH (WHITE)
 - D MARKING LINE GROOVED WET REF EPOXY 8-INCH (WHITE)
 - E MARKING LINE GROOVED WET REF CONTRAST EPOXY 8-INCH (WHITE SKIP)(3SEC., 9' GAP)
 - F MARKING STOP LINE EPOXY 18-INCH (WHITE)
 - G MARKING CHEVRON EPOXY 24-INCH (WHITE)
 - H MARKING LINE EPOXY 4-INCH (WHITE SKIP)(2.5' SEG., 37.5"GAP)
 - I MARKING LINE EPOXY 4-INCH (YELLOW)
 - J MARKING LINE EPOXY 4-INCH (WHITE)

PROJECT NO. 1204-05-72 COUNTY: IOWA PLOT NAME: STEFANY KATZNER

FILE NAME: X:\PROJECTS\1204-05-02_UH15\DESIGN\3D\GHSHEETS\PLAN\024501_LPM.DWG PLOT DATE: 3/25/2019 12:52 PM PLOT SCALE: 1" = 200'-XREF

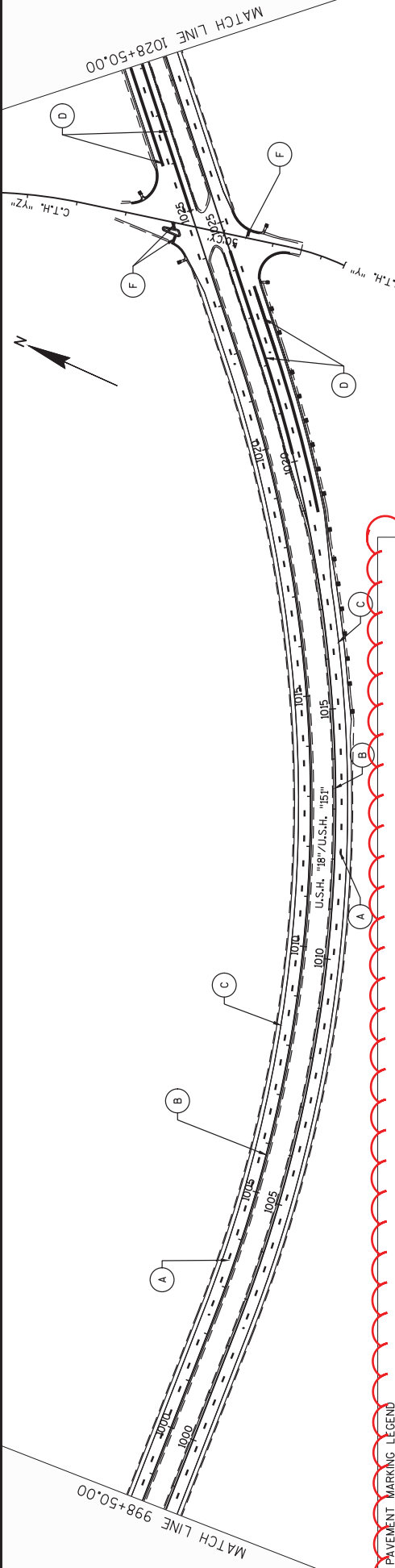


MATCH LINE 998+50.00



Addendum No. 02
 ID 1204-05-72
 Revised Sheet 38
 March 28, 2019

MATCH LINE 968+50.00



- PAVEMENT MARKING LEGEND**
- A MARKING LINE GROOVED WET REF CONTRAST TAPE 4-INCH (WHITE SKIP)(12.5' SEC., 37.5' GAP)
 - B MARKING LINE GROOVED WET REF EPOXY 4-INCH (YELLOW)
 - C MARKING LINE GROOVED WET REF EPOXY 4-INCH (WHITE)
 - D MARKING LINE GROOVED WET REF EPOXY 8-INCH (WHITE)
 - E MARKING LINE GROOVED WET REF CONTRAST EPOXY 8-INCH (WHITE SKIP)(3' SEC., 9' GAP)
 - F MARKING STOP LINE EPOXY 18-INCH (WHITE)
 - G MARKING CHEVRON EPOXY 24-INCH (WHITE)
 - H MARKING LINE EPOXY 4-INCH (WHITE SKIP)(12.5' SEC., 37.5' GAP)
 - I MARKING LINE EPOXY 4-INCH (YELLOW)
 - J MARKING LINE EPOXY 4-INCH (WHITE)

PAVEMENT MARKING

COUNTY - IOWA

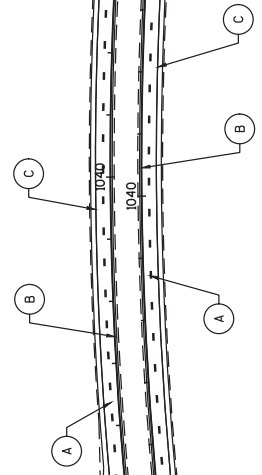
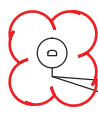
TOWN - U.S.H. 18

PROJECT NO. 1204-05-72

SHEET 38



MATCH LINE 1058+50.00

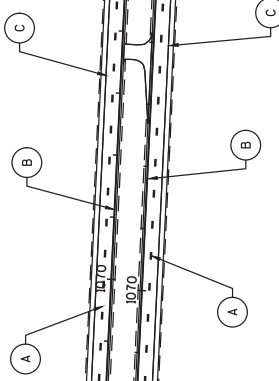


Addendum No. 02
ID 1204-05-72
Revised Sheet 39
March 28, 2019

MATCH LINE 1028+50.00

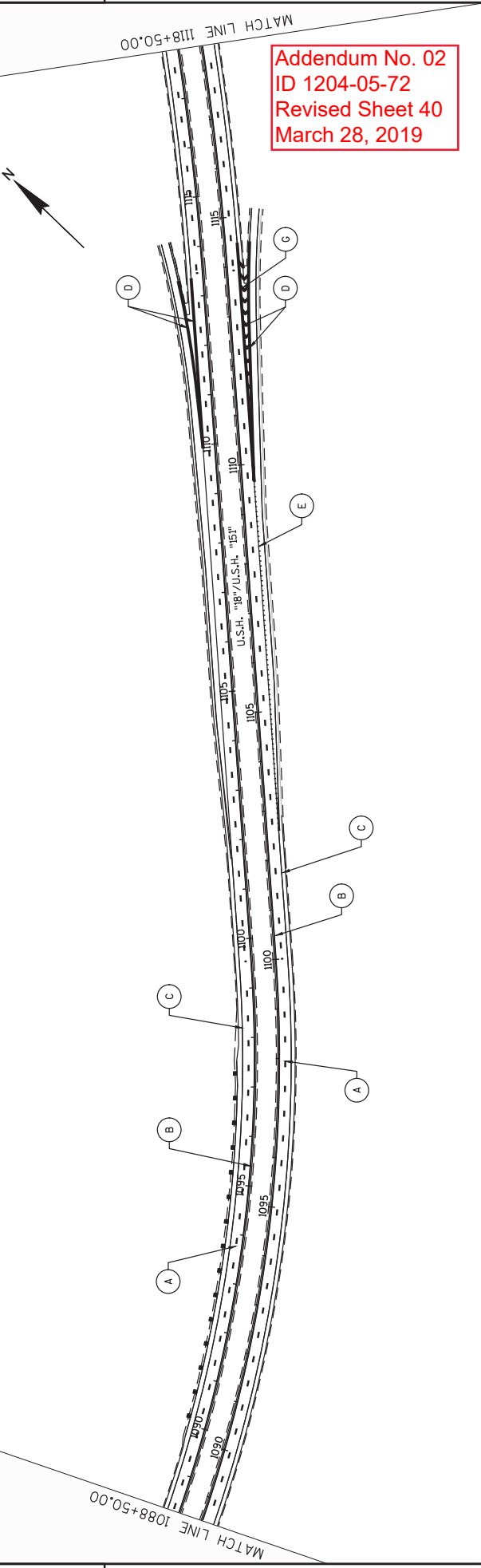


MATCH LINE 1088+50.00

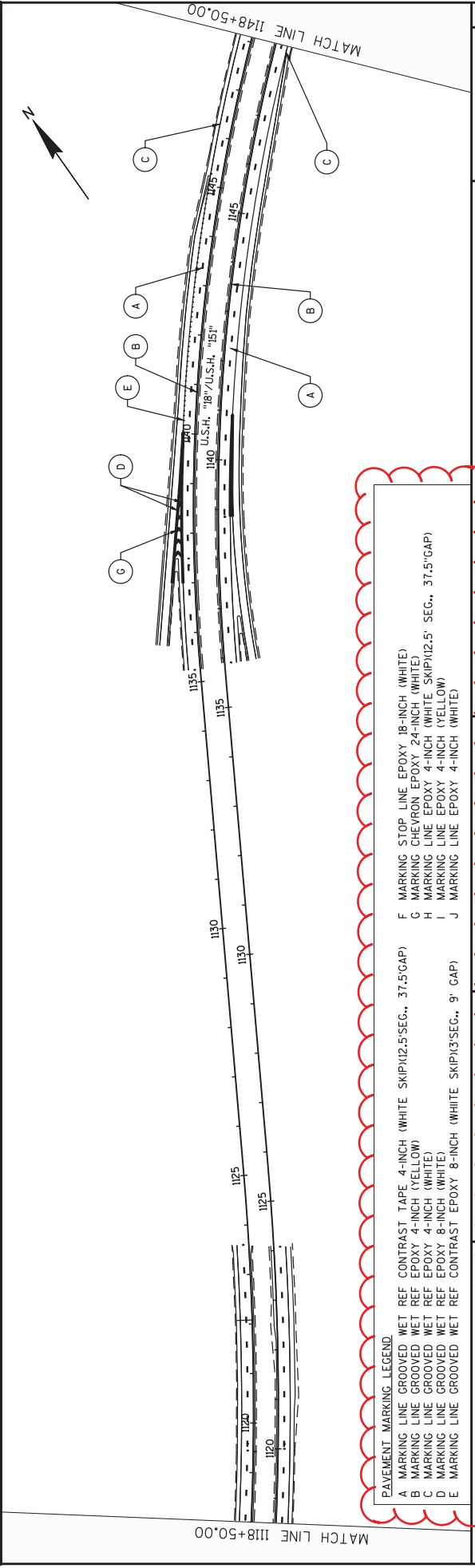


MATCH LINE 1058+50.00

PAVEMENT MARKING LEGEND.	
A	MARKING LINE GROOVED WET REF CONTRAST TAPE 4-INCH (WHITE SKIP)(12.5' SEC., 37.5' GAP)
B	MARKING LINE GROOVED WET REF EPOXY 4-INCH (YELLOW)
C	MARKING LINE GROOVED WET REF EPOXY 4-INCH (WHITE)
D	MARKING LINE GROOVED WET REF EPOXY 8-INCH (WHITE)
E	MARKING LINE GROOVED WET REF CONTRAST EPOXY 8-INCH (WHITE SKIP)(3' SEC., 9' GAP)
F	MARKING STOP LINE EPOXY 18-INCH (WHITE)
G	MARKING CHEVRON EPOXY 24-INCH (WHITE)
H	MARKING LINE EPOXY 4-INCH (WHITE SKIP)(12.5' SEC., 37.5' GAP)
I	MARKING LINE EPOXY 4-INCH (YELLOW)
J	MARKING LINE EPOXY 4-INCH (WHITE)



Addendum No. 02
 ID 1204-05-72
 Revised Sheet 40
 March 28, 2019

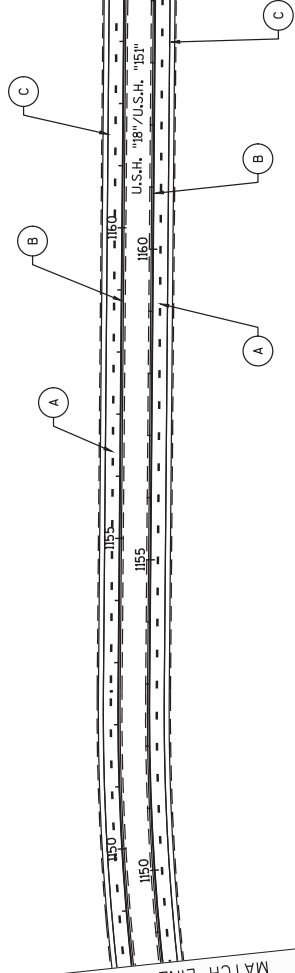


PAVEMENT MARKING LEGEND

A	MARKING LINE GROOVED WET REF CONTRAST TAPE 4-INCH (WHITE SKIP)(12.5' SEC., 37.5' GAP)
B	MARKING LINE GROOVED WET REF EPOXY 4-INCH (YELLOW)
C	MARKING LINE GROOVED WET REF EPOXY 4-INCH (WHITE)
D	MARKING LINE GROOVED WET REF EPOXY 8-INCH (WHITE)
E	MARKING LINE GROOVED WET REF CONTRAST EPOXY 8-INCH (WHITE)
F	MARKING STOP LINE EPOXY 18-INCH (WHITE)
G	MARKING CHEVRON EPOXY 24-INCH (WHITE)
H	MARKING LINE EPOXY 4-INCH (WHITE SKIP)(12.5' SEC., 37.5' GAP)
I	MARKING LINE EPOXY 4-INCH (YELLOW)
J	MARKING LINE EPOXY 4-INCH (WHITE)



MATCH LINE 1148+50.00

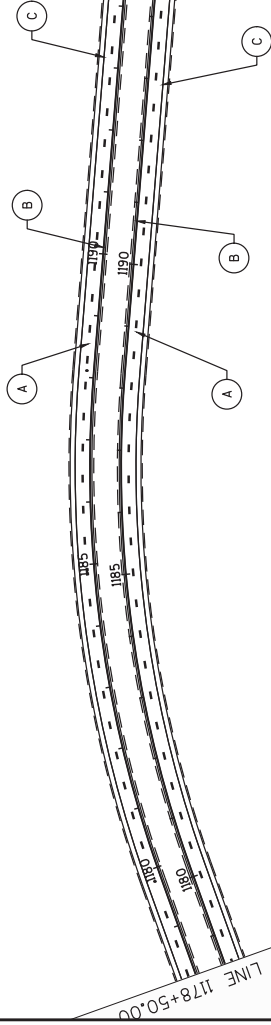


Addendum No. 02
 ID 1204-05-72
 Revised Sheet 41
 March 28, 2019

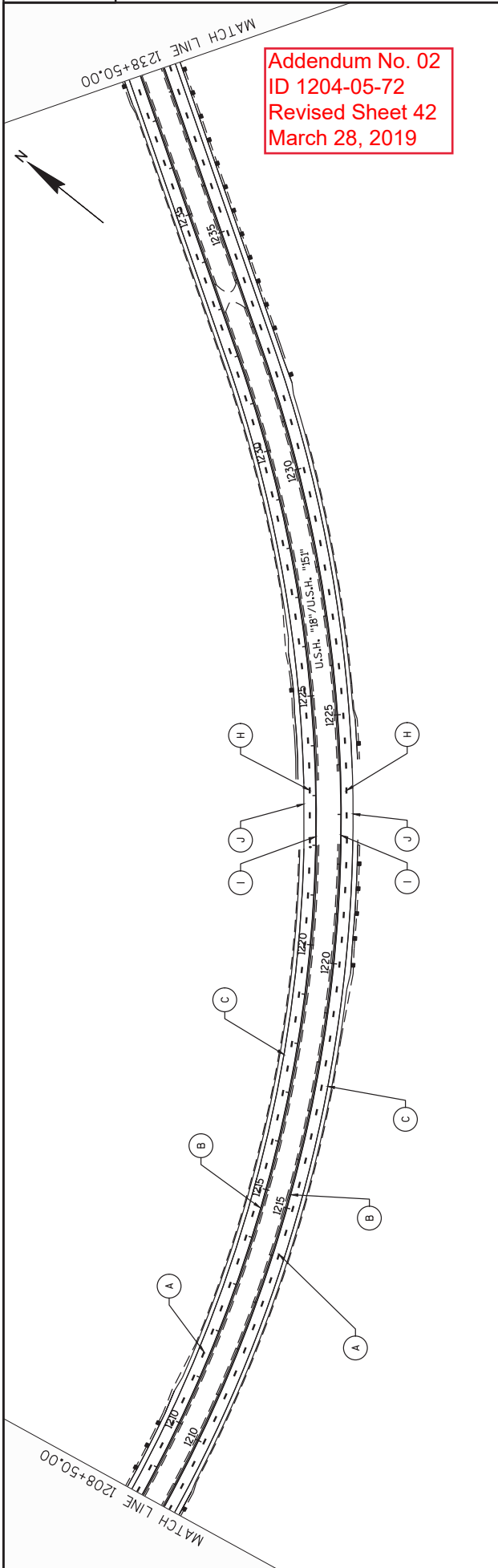
MATCH LINE 1178+50.00



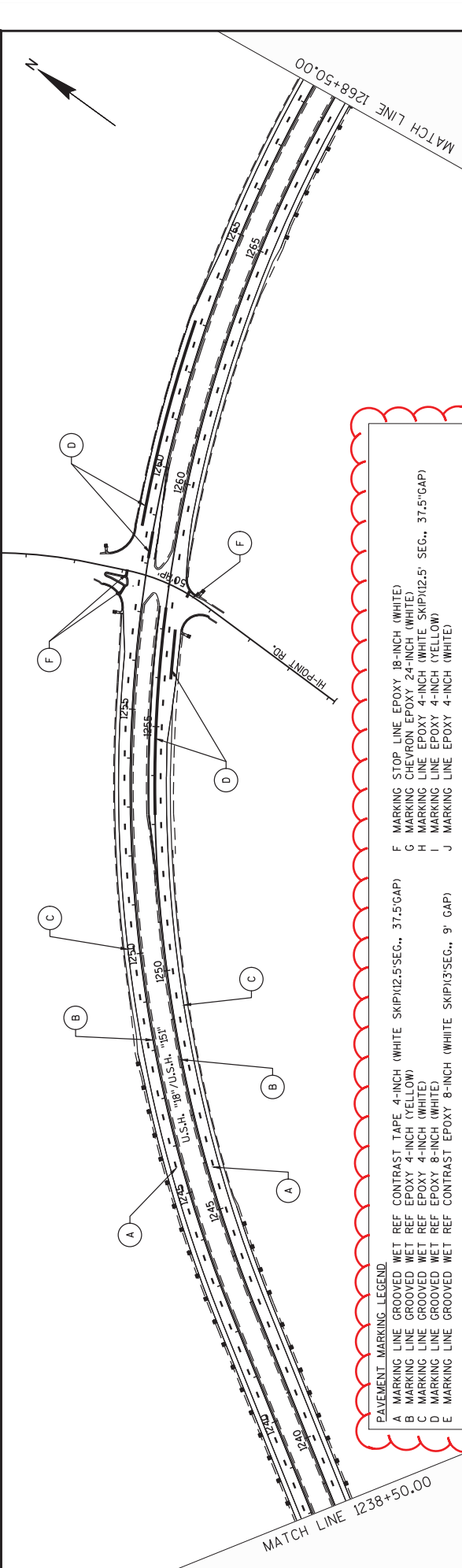
MATCH LINE 1208+50.00



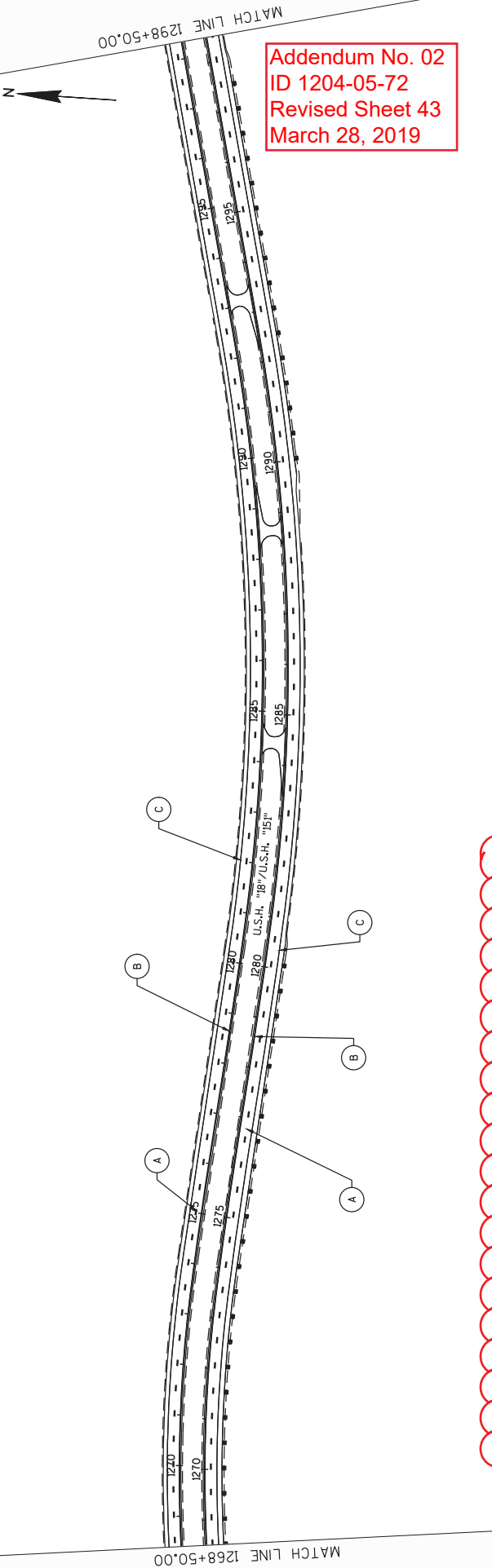
PAVEMENT MARKING LEGEND	
A	MARKING LINE GROOVED WET REF CONTRAST TAPE 4-INCH (WHITE SKIP)(12.5' SEC., 37.5' GAP)
B	MARKING LINE GROOVED WET REF EPOXY 4-INCH (YELLOW)
C	MARKING LINE GROOVED WET REF EPOXY 4-INCH (WHITE)
D	MARKING LINE GROOVED WET REF EPOXY 8-INCH (WHITE)
E	MARKING LINE GROOVED WET REF CONTRAST EPOXY 8-INCH (WHITE SKIP)(3' SEC., 9' GAP)
F	MARKING STOP LINE EPOXY 18-INCH (WHITE)
G	MARKING CHEVRON EPOXY 24-INCH (WHITE)
H	MARKING LINE EPOXY 4-INCH (WHITE SKIP)(2.5' SEC., 37.5' GAP)
I	MARKING LINE EPOXY 4-INCH (YELLOW)
J	MARKING LINE EPOXY 4-INCH (WHITE)



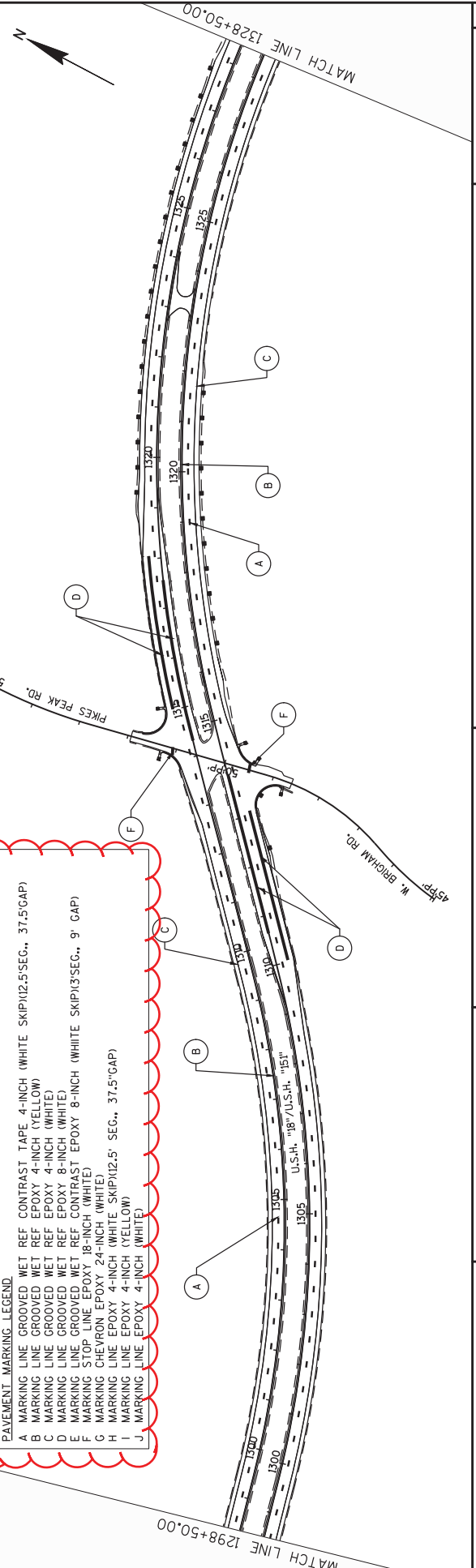
Addendum No. 02
 ID 1204-05-72
 Revised Sheet 42
 March 28, 2019

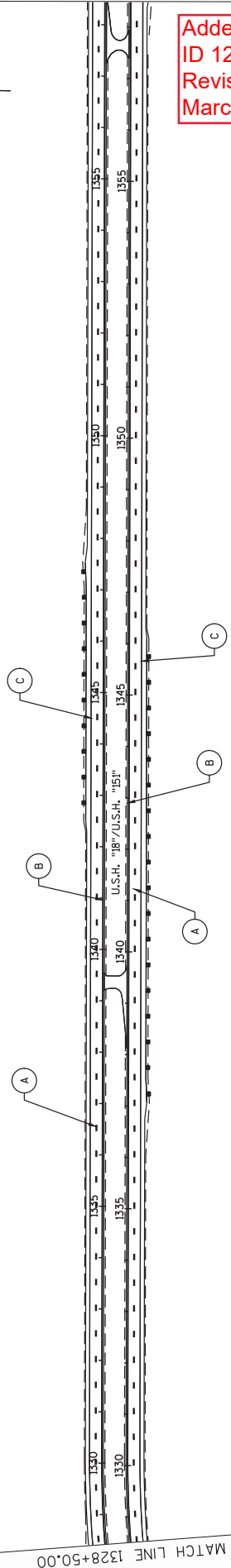


PAVEMENT MARKING LEGEND:
 A MARKING LINE GROOVED WET REF CONTRAST TAPE 4-INCH (WHITE SKIP)1/2.5SEC., 37.5" GAP)
 B MARKING LINE GROOVED WET REF EPOXY 4-INCH (YELLOW)
 C MARKING LINE GROOVED WET REF EPOXY 4-INCH (WHITE)
 D MARKING LINE GROOVED WET REF EPOXY 8-INCH (WHITE)
 E MARKING LINE GROOVED WET REF CONTRAST EPOXY 8-INCH (WHITE SKIP)3"SEC., 9' GAP)
 F MARKING STOP LINE EPOXY 18-INCH (WHITE)
 G MARKING CHEVRON EPOXY 24-INCH (WHITE)
 H MARKING LINE EPOXY 4-INCH (WHITE SKIP)1/2.5" SEC., 37.5" GAP)
 I MARKING LINE EPOXY 4-INCH (YELLOW)
 J MARKING LINE EPOXY 4-INCH (WHITE)



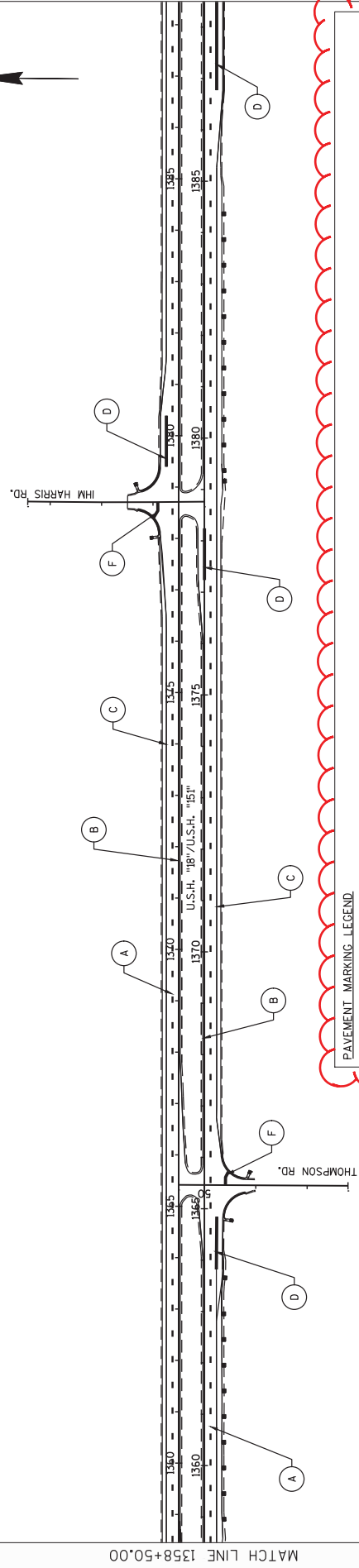
- PAVEMENT MARKING LEGEND
- A MARKING LINE GROOVED WET REF CONTRAST TAPE 4-INCH (WHITE SKIP)(12.5' SEG., 37.5' GAP)
 - B MARKING LINE GROOVED WET REF EPOXY 4-INCH (YELLOW)
 - C MARKING LINE GROOVED WET REF EPOXY 4-INCH (WHITE)
 - D MARKING LINE GROOVED WET REF EPOXY 8-INCH (WHITE)
 - E MARKING LINE GROOVED WET REF CONTRAST EPOXY 8-INCH (WHITE SKIP)(3' SEG., 9' GAP)
 - F MARKING STOP LINE EPOXY 18-INCH (WHITE)
 - G MARKING CHEVRON EPOXY 24-INCH (WHITE)
 - H MARKING LINE EPOXY 4-INCH (WHITE SKIP)(12.5' SEG., 37.5' GAP)
 - I MARKING LINE EPOXY 4-INCH (YELLOW)
 - J MARKING LINE EPOXY 4-INCH (WHITE)





Addendum No. 02
 ID 1204-05-72
 Revised Sheet 44
 March 28, 2019

MATCH LINE 1328+50.00



PAVEMENT MARKING LEGEND
 A MARKING LINE GROOVED WET REF CONTRAST TAPE 4-INCH (WHITE SKIP)(2.5SEC., 37.5(GAP))
 B MARKING LINE GROOVED WET REF EPOXY 4-INCH (YELLOW)
 C MARKING LINE GROOVED WET REF EPOXY 4-INCH (WHITE)
 D MARKING LINE GROOVED WET REF EPOXY 8-INCH (WHITE)
 E MARKING LINE GROOVED WET REF CONTRAST EPOXY 8-INCH (WHITE SKIP)(3"SEC., 9' GAP)
 F MARKING STOP LINE EPOXY 18-INCH (WHITE)
 G MARKING CHEVRON EPOXY 24-INCH (WHITE)
 H MARKING LINE EPOXY 4-INCH (WHITE SKIP)(2.5' SEG., 37.5"(GAP))
 I MARKING LINE EPOXY 4-INCH (YELLOW)
 J MARKING LINE EPOXY 4-INCH (WHITE)

MATCH LINE 1358+50.00

MATCH LINE 1388+50.00

PROJECT NO: 1204-05-72

HWY: USH 18

COUNTY: JOHNSON

PAVEMENT MARKING

SHEET 44

FILE NAME: X:\PROJECTS\JOHNSON\1204-05-72_UH15\DESIGN\CADD\GHEE\PLAN\024501_LM.DWG

LAYOUT NAME: 024508

PLOT DATE: 3/25/2019 12:52 PM

PILOT BY: STEFANY KATZNER

PILOT NAME:

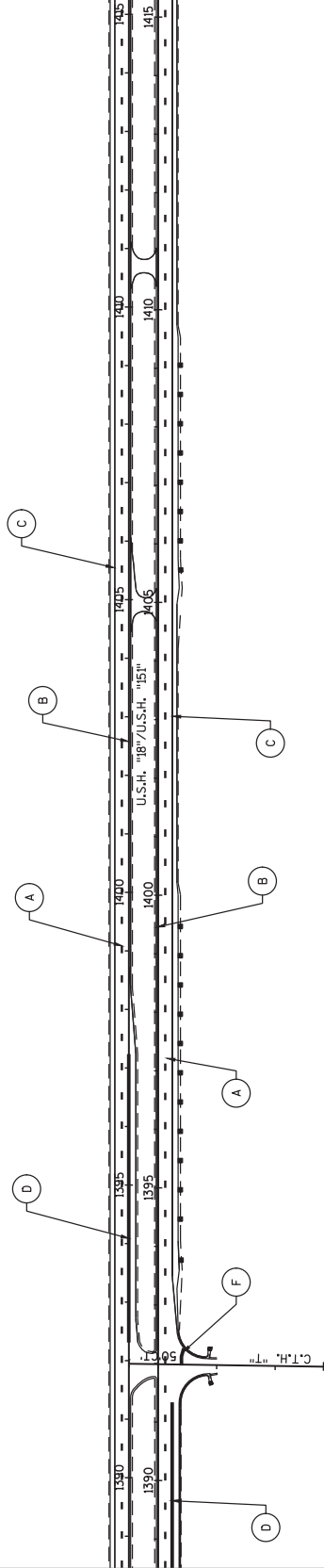
PLOT SCALE: 1" = 200'-XREF

WISDOT/CADD SHEET 02



MATCH LINE 1418+50.00

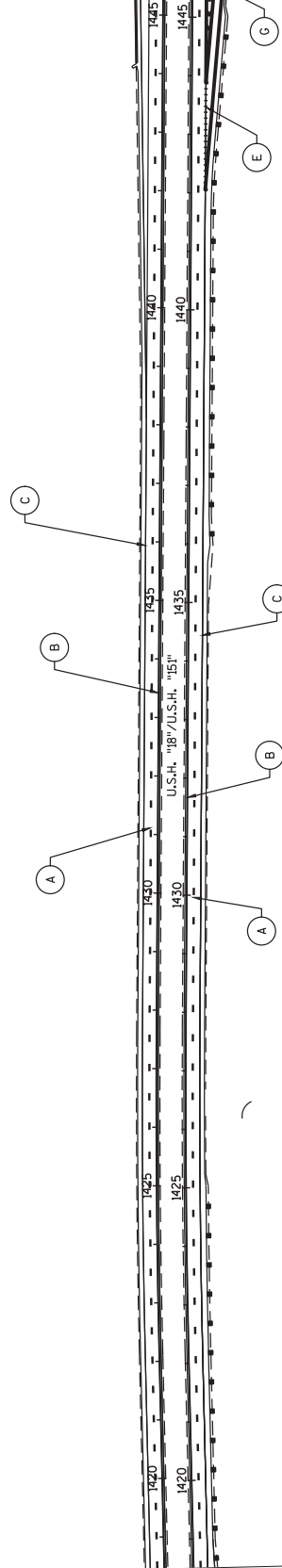
Addendum No. 02
ID 1204-05-72
Revised Sheet 45
March 28, 2019



MATCH LINE 1388+50.00



MATCH LINE 1448+50.00



MATCH LINE 1418+50.00

- PAVEMENT MARKING LEGEND.
- A MARKING LINE GROOVED WET REF CONTRAST TAPE 4-INCH (WHITE SKIP)(12.5' SEC., 37.5' GAP)
 - B MARKING LINE GROOVED WET REF EPOXY 4-INCH (YELLOW)
 - C MARKING LINE GROOVED WET REF EPOXY 4-INCH (WHITE)
 - D MARKING LINE GROOVED WET REF EPOXY 8-INCH (WHITE)
 - E MARKING LINE GROOVED WET REF CONTRAST EPOXY 8-INCH (WHITE)
 - F MARKING STOP LINE EPOXY 18-INCH (WHITE)
 - G MARKING CHEVRON EPOXY 24-INCH (WHITE)
 - H MARKING LINE EPOXY 4-INCH (WHITE SKIP)(12.5' SEC., 37.5' GAP)
 - I MARKING LINE EPOXY 4-INCH (YELLOW)
 - J MARKING LINE EPOXY 4-INCH (WHITE)

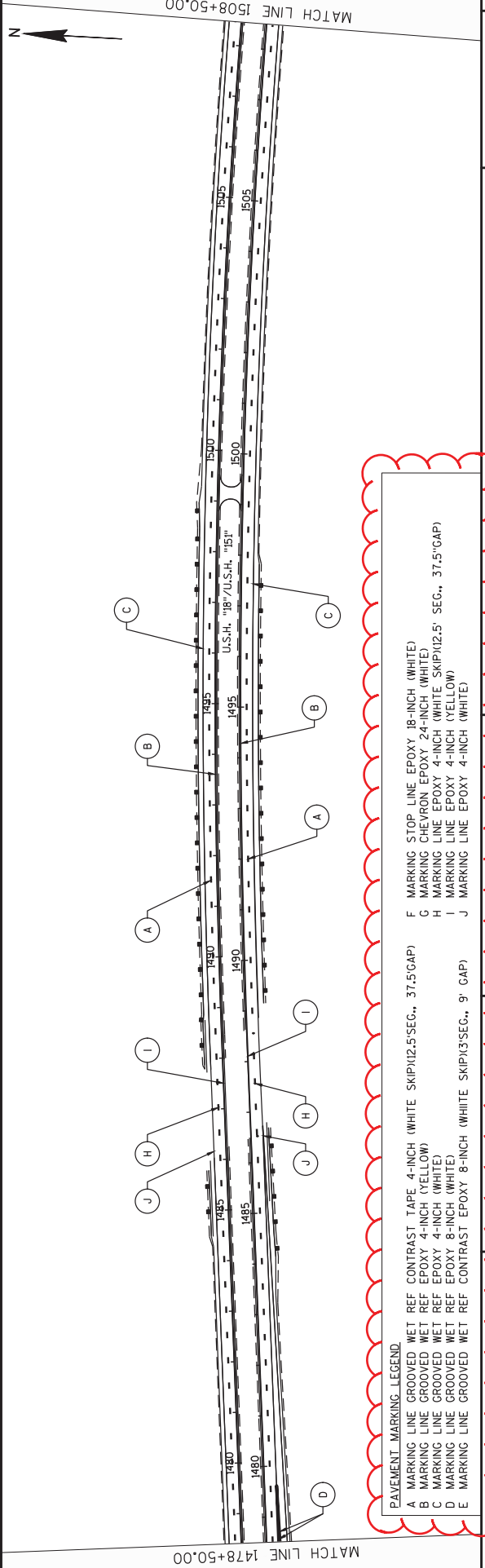
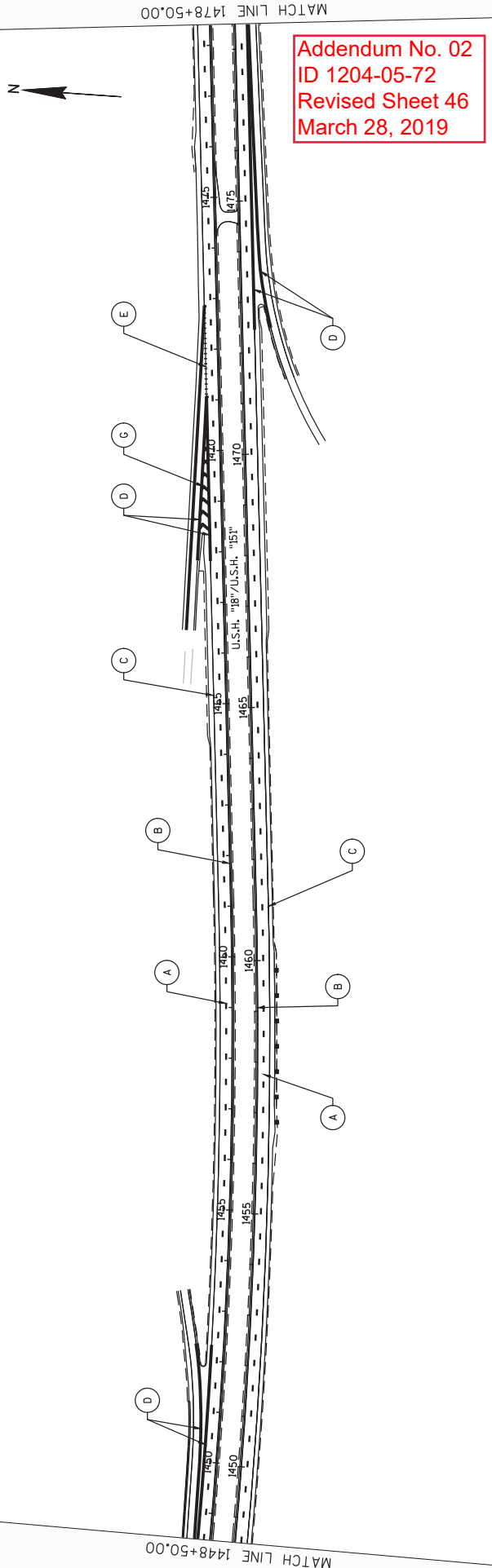
PAVEMENT MARKING

COUNTY: IOWA

TOWN: USH. 18

PROJECT NO: 1204-05-72

SHEET 45

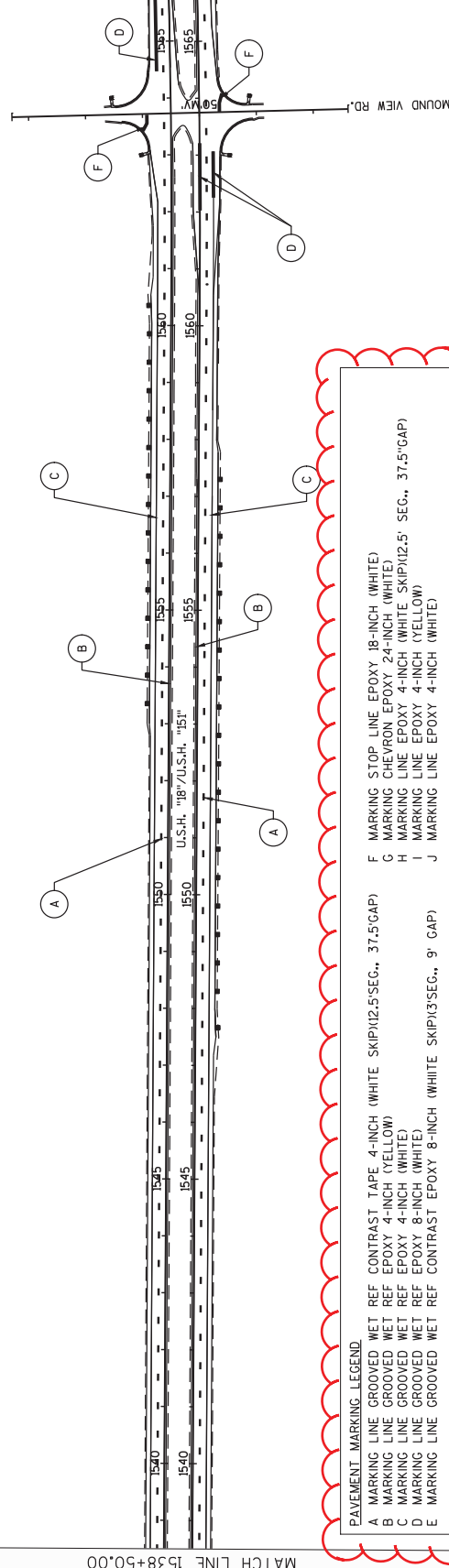
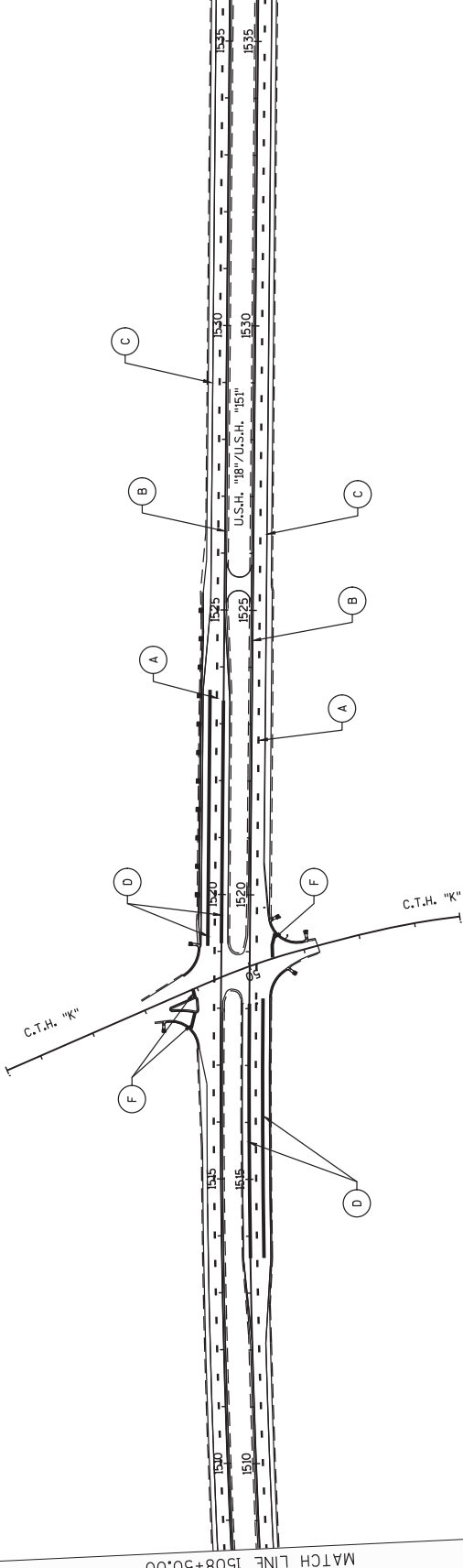


PAVEMENT MARKING LEGEND.

A MARKING LINE GROOVED WET REF CONTRAST TAPE 4-INCH (WHITE SKIP)(12.5' SEC., 37.5' GAP)	F MARKING STOP LINE EPOXY 18-INCH (WHITE)
B MARKING LINE GROOVED WET REF EPOXY 4-INCH (YELLOW)	G MARKING CHEVRON EPOXY 24-INCH (WHITE)
C MARKING LINE GROOVED WET REF EPOXY 4-INCH (WHITE)	H MARKING LINE EPOXY 4-INCH (WHITE SKIP)(12.5' SEC., 37.5' GAP)
D MARKING LINE GROOVED WET REF EPOXY 8-INCH (WHITE)	I MARKING LINE EPOXY 4-INCH (YELLOW)
E MARKING LINE GROOVED WET REF CONTRAST EPOXY 8-INCH (WHITE SKIP)(3' SEC., 9' GAP)	J MARKING LINE EPOXY 4-INCH (WHITE)



Addendum No. 02
ID 1204-05-72
Revised Sheet 47
March 28, 2019



PAVEMENT MARKING LEGEND.

A	MARKING LINE GROOVED WET REF CONTRAST TAPE 4-INCH (WHITE SKIP)(12.5 SEC., 37.5" GAP)	F	MARKING STOP LINE EPOXY 18-INCH (WHITE)
B	MARKING LINE GROOVED WET REF EPOXY 4-INCH (YELLOW)	G	MARKING CHEVRON EPOXY 24-INCH (WHITE)
C	MARKING LINE GROOVED WET REF EPOXY 4-INCH (WHITE)	H	MARKING LINE EPOXY 4-INCH (WHITE SKIP)(2.5' SEC., 37.5" GAP)
D	MARKING LINE GROOVED WET REF EPOXY 8-INCH (WHITE)	I	MARKING LINE EPOXY 4-INCH (YELLOW)
E	MARKING LINE GROOVED WET REF CONTRAST EPOXY 8-INCH (WHITE SKIP)(3" SEC., 9' GAP)	J	MARKING LINE EPOXY 4-INCH (WHITE)

PAVEMENT MARKING

PROJECT NO. 1204-05-72
COUNTY: JOHNSON
TOWNSHIP: U.S.H. '151

PILOT DATE: 3/25/2019 12:43 PM
PILOT BY: STEFANY KATZNER

FILE NAME: X:\PROJECTS\1204-05-02_UH115\DESIGN\3D\GHSHEETS\PLAN\024501_LAYOUT.DWG
LAYOUT NAME - 024511

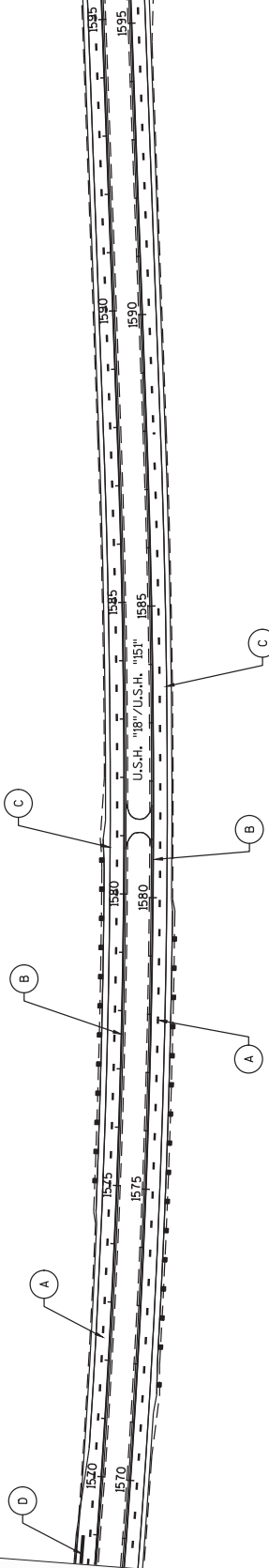
PLOT SCALE: 1" = 200'-XREF
PLOT NAME: WISDOT\CADDS SHEET 02

SHEET 47

MATCH LINE 1598+50.00



Addendum No. 02
ID 1204-05-72
Revised Sheet 48
March 28, 2019



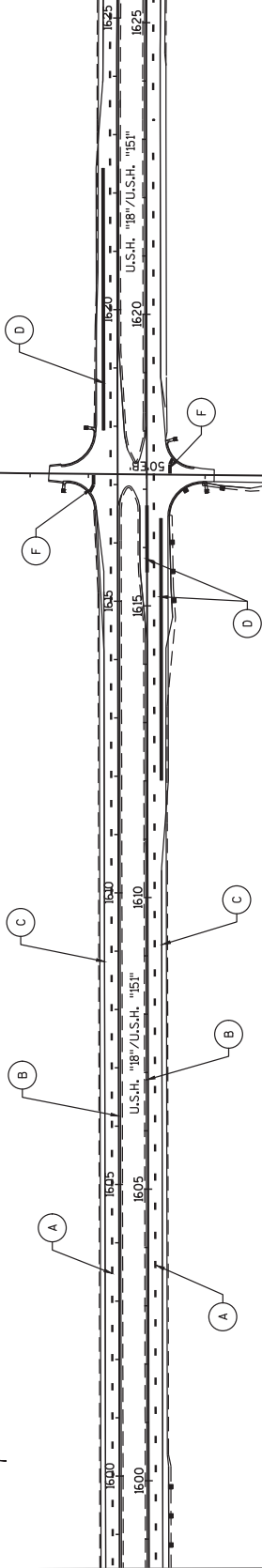
- PAVEMENT MARKING LEGEND
- A MARKING LINE GROOVED WET REF CONTRAST TAPE 4-INCH (WHITE SKIP)(2.5' SEC., 37.5' GAP)
 - B MARKING LINE GROOVED WET REF EPOXY 4-INCH (YELLOW)
 - C MARKING LINE GROOVED WET REF EPOXY 4-INCH (WHITE)
 - D MARKING LINE GROOVED WET REF EPOXY 8-INCH (WHITE)
 - E MARKING LINE GROOVED WET REF CONTRAST EPOXY 8-INCH (WHITE SKIP)(3' SEC., 9' GAP)
 - F MARKING STOP LINE EPOXY 18-INCH (WHITE)
 - G MARKING CHEVRON EPOXY 24-INCH (WHITE)
 - H MARKING LINE EPOXY 4-INCH (WHITE SKIP)(2.5' SEC., 37.5' GAP)
 - I MARKING LINE EPOXY 4-INCH (YELLOW)
 - J MARKING LINE EPOXY 4-INCH (WHITE)

50

50



MATCH LINE 1628+50.00



MATCH LINE 1568+50.00

PAVEMENT MARKING

COUNTY: IOWA

HWY: USH 18

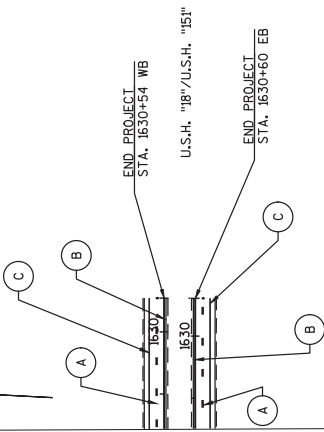
PROJECT NO: 1204-05-72

SHEET 48

FILE NAME: X:\PROJECTS\IOWA\1204-05-02_UH15\DESIGN\3D\GHEETS\PA\02-4801_LM.DWG
LAYOUT NAME: 024512
PILOT DATE: 3/25/2019 12:43 PM
PILOT BY: STEFANY KATZNER
PILOT NAME: STEFANY KATZNER
PLOT SCALE: 1" = 200'-REF



MATCH LINE 1628+50.00



Addendum No. 02
 ID 1204-05-72
 Revised Sheet 49
 March 28, 2019

PAVEMENT MARKING LEGEND

- A MARKING LINE GROOVED WET REF CONTRAST TAPE 4-INCH (WHITE SKIP)(12.5' SEC., 37.5' GAP)
- B MARKING LINE GROOVED WET REF EPOXY 4-INCH (YELLOW)
- C MARKING LINE GROOVED WET REF EPOXY 4-INCH (WHITE)
- D MARKING LINE GROOVED WET REF EPOXY 8-INCH (WHITE)
- E MARKING LINE GROOVED WET REF CONTRAST EPOXY 8-INCH (WHITE SKIP)(3' SEC., 9' GAP)
- F MARKING STOP LINE EPOXY 18-INCH (WHITE)
- G MARKING CHEVRON EPOXY 24-INCH (WHITE)
- H MARKING LINE EPOXY 4-INCH (WHITE SKIP)(12.5' SEC., 37.5' GAP)
- I MARKING LINE EPOXY 4-INCH (YELLOW)
- J MARKING LINE EPOXY 4-INCH (WHITE)

PAVEMENT MARKING

COUNTY: IOWA

PROJECT NO.: 1204-05-72

PROJECT NAME: I-80/USH 18

SHEET 49

Addendum No. 02
ID 1204-05-72
Revised Sheet 77
March 28, 2019

BASE AGGREGATE SUMMARY

305.0110 305.0120 305.0500
 BASE BASE
 AGGREGATE AGGREGATE
 DENSE DENSE
 3/4-INCH 1 1/4-INCH
 SHOULDERS SHOULDERS

STATION	STATION	LOCATION	TON	TON	TON	SHAPE	REMARKS
			3/4-INCH	1 1/4-INCH	SHOULDERS		
STAGE 2							
909' WB' +59	- 1017' WB' +61	USH 18 INSIDE SHOULDER	67	--	--	108	
1017' WB' +61	- 1024' WB' +65	USH 18 INSIDE SHOULDER	4	--	--	7	
1024' WB' +65	- 1027' WB' +93	USH 18 INSIDE SHOULDER	2	--	--	3	
1027' WB' +93	- 1120' WB' +00	USH 18 INSIDE SHOULDER	57	--	--	92	
1120' WB' +00	- 1179' WB' +80	USH 18 INSIDE SHOULDER	26	--	--	41	
1179' WB' +80	- 1257' WB' +75	USH 18 INSIDE SHOULDER	49	--	--	77	
1257' WB' +75	- 1314' WB' +01	USH 18 INSIDE SHOULDER	35	--	--	56	
1314' WB' +01	- 1338' WB' +50	USH 18 INSIDE SHOULDER	15	--	--	24	
1338' WB' +50	- 1365' WB' +42	USH 18 INSIDE SHOULDER	17	--	--	27	
1365' WB' +42	- 1378' WB' +71	USH 18 INSIDE SHOULDER	8	--	--	13	
1378' WB' +71	- 1391' WB' +95	USH 18 INSIDE SHOULDER	8	--	--	14	
1391' WB' +95	- 1486' WB' +21	USH 18 INSIDE SHOULDER	59	--	--	94	
1486' WB' +21	- 1617' WB' +18	USH 18 INSIDE SHOULDER	81	--	--	131	
1617' WB' +18	- 1630' WB' +49	USH 18 INSIDE SHOULDER	8	--	--	13	
STAGE 2 SUBTOTAL			437	0	0	700	
STAGE 3							
909' WB' +59	- 1017' WB' +61	USH 18 OUTSIDE SHOULDER	858	--	--	108	
1112' WB' +64	- 1014' WB' +14	WB ON RAMP FROM CTH BB	24	--	--	4	
1017' WB' +61	- 1024' WB' +65	USH 18 OUTSIDE SHOULDER	56	--	--	7	
1024' WB' +65	- 1027' WB' +93	USH 18 OUTSIDE SHOULDER	26	--	--	3	
1027' WB' +93	- 1120' WB' +00	USH 18 OUTSIDE SHOULDER	731	--	--	92	
1135' WB' +05	- 1137' WB' +25	WB OFF RAMP FROM CTH BB	24	--	--	4	
1138' WB' +05	- 1179' WB' +80	USH 18 OUTSIDE SHOULDER	331	--	--	84	
1179' WB' +80	- 1257' WB' +75	USH 18 OUTSIDE SHOULDER	619	--	--	77	
1257' WB' +75	- 1314' WB' +01	USH 18 OUTSIDE SHOULDER	447	--	--	56	
1314' WB' +01	- 1338' WB' +50	USH 18 OUTSIDE SHOULDER	194	--	--	24	
1338' WB' +50	- 1365' WB' +42	USH 18 OUTSIDE SHOULDER	214	--	--	27	
1365' WB' +42	- 1378' WB' +71	USH 18 OUTSIDE SHOULDER	106	--	--	13	
1378' WB' +71	- 1391' WB' +95	USH 18 OUTSIDE SHOULDER	105	--	--	14	
1391' WB' +95	- 1486' WB' +21	USH 18 OUTSIDE SHOULDER	748	40	40	94	
1451' WB' +88	- 1453' WB' +38	WB ON RAMP FROM CTH ID	24	--	--	4	
1466' WB' +45	- 1467' WB' +95	WB OFF RAMP FROM CTH ID	24	--	--	4	
1486' WB' +21	- 1617' WB' +18	USH 18 OUTSIDE SHOULDER	1,040	53	53	131	
1617' WB' +18	- 1630' WB' +49	USH 18 OUTSIDE SHOULDER	106	--	--	13	
STAGE 3 SUBTOTAL			5,676	92	92	769	

Addendum No. 02
ID 1204-05-72
Revised Sheet 78
March 28, 2019

BASE_AGGREGATE_SUMMARY

305.0110 305.0120 305.0500
BASE BASE
AGGREGATE AGGREGATE
DENSE DENSE
3/4-INCH 1 1/4-INCH
SHOULDERS STA

STATION	STATION	LOCATION	TON	TON	REMARKS
STAGE 4					
909' WB' +59	- 1017' WB' +61	USH 18 INSIDE SHOULDER	1,960	--	
1017' WB' +61	- 1024' WB' +65	USH 18 INSIDE SHOULDER	128	--	
1024' WB' +65	- 1027' WB' +93	USH 18 INSIDE SHOULDER	60	--	
1027' WB' +93	- 1120' WB' +00	USH 18 INSIDE SHOULDER	1,671	--	
1138' WB' +05	- 1179' WB' +80	USH 18 INSIDE SHOULDER	758	--	
1179' WB' +80	- 1257' WB' +75	USH 18 INSIDE SHOULDER	1,415	--	
1257' WB' +75	- 1314' WB' +01	USH 18 INSIDE SHOULDER	1,021	--	
1314' WB' +01	- 1338' WB' +50	USH 18 INSIDE SHOULDER	444	--	
1338' WB' +50	- 1365' WB' +42	USH 18 INSIDE SHOULDER	489	--	
1365' WB' +42	- 1378' WB' +71	USH 18 INSIDE SHOULDER	241	--	
1378' WB' +71	- 1391' WB' +95	USH 18 INSIDE SHOULDER	240	--	
1391' WB' +95	- 1486' WB' +21	USH 18 INSIDE SHOULDER	1,711	--	
1486' WB' +21	- 1617' WB' +18	USH 18 INSIDE SHOULDER	2,377	--	
1617' WB' +18	- 1630' WB' +49	USH 18 INSIDE SHOULDER	242	--	
STAGE 4 SUBTOTAL			12,756	0	0
STAGE 6					
909' EB' +59	- 1017' EB' +61	USH 18 INSIDE SHOULDER	67	--	108
1017' EB' +61	- 1024' EB' +77	USH 18 INSIDE SHOULDER	4	--	7
1024' EB' +77	- 1027' EB' +93	USH 18 INSIDE SHOULDER	2	--	3
1027' EB' +93	- 1120' EB' +00	USH 18 INSIDE SHOULDER	57	--	92
1138' EB' +05	- 1180' EB' +14	USH 18 INSIDE SHOULDER	26	--	42
1180' EB' +14	- 1257' EB' +92	USH 18 INSIDE SHOULDER	48	--	77
1257' EB' +92	- 1314' EB' +13	USH 18 INSIDE SHOULDER	35	--	56
1314' EB' +13	- 1338' EB' +50	USH 18 INSIDE SHOULDER	15	--	24
1338' EB' +50	- 1365' EB' +46	USH 18 INSIDE SHOULDER	17	--	27
1365' EB' +46	- 1378' EB' +77	USH 18 INSIDE SHOULDER	8	--	13
1378' EB' +77	- 1391' EB' +99	USH 18 INSIDE SHOULDER	8	--	14
1391' EB' +99	- 1486' EB' +21	USH 18 INSIDE SHOULDER	59	--	94
1486' EB' +21	- 1617' EB' +25	USH 18 INSIDE SHOULDER	82	--	131
1617' EB' +25	- 1630' EB' +49	USH 18 INSIDE SHOULDER	8	--	13
STAGE 6 SUBTOTAL			437	0	701

ADDITIONAL QUANTITIES SHOWN ON NEXT PAGE

Addendum No. 02
ID 1204-05-72
Revised Sheet 79
March 28, 2019

BASE AGGREGATE SUMMARY

305.0110 BASE AGGREGATE DENSE 3/4-1 INCH
305.0120 BASE AGGREGATE DENSE 1 1/4-1 INCH
305.0500 SHAPING STA

STATION	STATION	LOCATION	TON	TON	TON	REMARKS
STAGE 7						
909' EB' +59	- 1017' EB' +61	USH 18 OUTSIDE SHOULDER	858	--	108	
1113' WB' +67	- 1115' WB' +18	EB OFF RAMP FROM CTH BB	24	--	4	
1017' EB' +61	- 1024' EB' +77	USH 18 OUTSIDE SHOULDER	57	--	7	
1024' EB' +77	- 1027' EB' +93	USH 18 OUTSIDE SHOULDER	25	--	3	
1027' EB' +93	- 1120' EB' +00	USH 18 OUTSIDE SHOULDER	731	--	92	
1138' EB' +05	- 1180' EB' +14	USH 18 OUTSIDE SHOULDER	334	--	84	
1180' EB' +14	- 1257' EB' +92	USH 18 OUTSIDE SHOULDER	618	--	77	
1257' EB' +92	- 1314' EB' +13	USH 18 OUTSIDE SHOULDER	446	--	56	
1314' EB' +13	- 1338' EB' +50	USH 18 OUTSIDE SHOULDER	193	--	24	
1338' EB' +50	- 1365' EB' +46	USH 18 OUTSIDE SHOULDER	214	--	27	
1365' EB' +46	- 1378' EB' +77	USH 18 OUTSIDE SHOULDER	106	--	13	
1378' EB' +77	- 1391' EB' +99	USH 18 OUTSIDE SHOULDER	105	--	14	
1391' EB' +99	- 1486' EB' +21	USH 18 OUTSIDE SHOULDER	748	--	94	
1446' WB' +94	- 1448' WB' +44	EB OFF RAMP FROM CTH ID	24	--	4	
1471' WB' +46	- 1472' WB' +96	EB ON RAMP FROM CTH ID	24	--	4	
1486' EB' +21	- 1617' EB' +25	USH 18 OUTSIDE SHOULDER	1,040	--	131	
1617' EB' +25	- 1630' EB' +49	USH 18 OUTSIDE SHOULDER	105	--	13	
STAGE 7 SUBTOTAL			5,652	0	755	
STAGE 8						
909' EB' +59	- 1017' EB' +61	USH 18 INSIDE SHOULDER	1,960	--	--	
1017' EB' +61	- 1024' EB' +77	USH 18 INSIDE SHOULDER	130	--	--	
1024' EB' +77	- 1027' EB' +93	USH 18 INSIDE SHOULDER	57	--	--	
1027' EB' +93	- 1120' EB' +00	USH 18 INSIDE SHOULDER	1,671	--	--	
1138' EB' +05	- 1180' EB' +14	USH 18 INSIDE SHOULDER	764	--	--	
1180' EB' +14	- 1257' EB' +92	USH 18 INSIDE SHOULDER	1,412	--	--	
1257' EB' +92	- 1314' EB' +13	USH 18 INSIDE SHOULDER	1,020	--	--	
1314' EB' +13	- 1338' EB' +50	USH 18 INSIDE SHOULDER	442	--	--	
1338' EB' +50	- 1365' EB' +46	USH 18 INSIDE SHOULDER	489	--	--	
1365' EB' +46	- 1378' EB' +77	USH 18 INSIDE SHOULDER	242	--	--	
1378' EB' +77	- 1391' EB' +99	USH 18 INSIDE SHOULDER	240	--	--	
1391' EB' +99	- 1486' EB' +21	USH 18 INSIDE SHOULDER	1,710	--	--	
1486' EB' +21	- 1617' EB' +25	USH 18 INSIDE SHOULDER	2,378	--	--	
1617' EB' +25	- 1630' EB' +49	USH 18 INSIDE SHOULDER	240	--	--	
STAGE 8 SUBTOTAL			12,755	0	0	
UNDI STRIBUTED			3,750	100		
TOTAL			41,464	192	2,915	

MISCELLANEOUS QUANTITIES

COUNTY: IOWA

HWY: USH 18

PROJECT NO: 1204-05-72

SHEET: 79

E



Proposal Schedule of Items

Proposal ID: 20190409003 Project(s): 1204-05-72

Federal ID(s): WISC 2019212

SECTION: 0001 Contract Items

Alt Set ID: Alt Mbr ID:

Proposal Line Number	Item ID Description	Approximate Quantity and Units	Unit Price	Bid Amount
0034	305.0500 Shaping Shoulders	2,915.000 STA	_____.	_____.
0036	390.0303 Base Patching Concrete	27,245.000 SY	_____.	_____.
0038	390.0403 Base Patching Concrete Shes	282.000 SY	_____.	_____.
0040	416.0610 Drilled Tie Bars	30,508.000 EACH	_____.	_____.
0042	416.0620 Drilled Dowel Bars	56,485.000 EACH	_____.	_____.
0044	450.4000 HMA Cold Weather Paving	11,361.000 TON	_____.	_____.
0046	455.0605 Tack Coat	79,809.000 GAL	_____.	_____.
0048	460.0105.S HMA Percent Within Limits (PWL) Test Strip Volumetrics	2.000 EACH	_____.	_____.
0050	460.0110.S HMA Percent Within Limits (PWL) Test Strip Density	5.000 EACH	_____.	_____.
0052	460.2005 Incentive Density PWL HMA Pavement	73,640.000 DOL	1.00000	73,640.00
0054	460.2007 Incentive Density HMA Pavement Longitudinal Joints	160,750.000 DOL	1.00000	160,750.00
0056	460.2010 Incentive Air Voids HMA Pavement	107,380.000 DOL	1.00000	107,380.00
0058	460.6224 HMA Pavement 4 MT 58-28 S	109,933.000 TON	_____.	_____.
0060	465.0120 Asphaltic Surface Driveways and Field Entrances	15.000 TON	_____.	_____.
0062	465.0305 Asphaltic Surface Safety Islands	12.000 TON	_____.	_____.
0064	465.0315 Asphaltic Flumes	281.000 SY	_____.	_____.