



Wisconsin Department of Transportation

Division of Transportation Systems Development

Bureau of Project Development
 4822 Madison Yards Way, 4th Floor South
 Madison, WI 53705

May 6, 2019

Telephone: (608) 266-1631
 Facsimile (FAX): (608) 266-8459

NOTICE TO ALL CONTRACTORS:

Proposal #25: 4140-19-73
Gibraltar – Sister Bay
Bluff Ln – Gibraltar Road
STH 42
Door County

Letting of May 14, 2019.

This is Addendum No. 01, which provides for the following:

Special Provisions:

Added Special Provisions	
Article No.	Description
63	Fence Chain Link with Top Rail, 5-FT

Schedule of Items:

Revised Bid Item Quantities					
Bid Item	Item Description	Unit	Old Quantity	Revised Quantity	Proposal Total
204.0120	Removing Asphaltic Surface Milling	SY	23,580	630	24,210
315.0100	Asphaltic Base	TON	1,595	120	1,715
450.4000	HMA Cold Weather Paving	TON	1,680	205	1,885
455.0605	Tack Coat	GAL	2,845	30	2,875
465.0125	Asphaltic Surface Temporary	TON	395	85	480

Added Bid Item Quantities					
Bid Item	Item Description	Unit	Old Quantity	Revised Quantity	Proposal Total
SPV.0090.06	Fence Chain Link with Top Rail, 5-FT	LF	0	370	370

Deleted Bid Item Quantities					
Bid Item	Item Description	Unit	Old Quantity	Revised Quantity	Proposal Total
616.0205	Fence Chain Link, 5-FT	LF	403	-403	0

Plan Sheets:

Revised Plan Sheets	
Plan Sheet	Plan Sheet Title (brief description of changes to sheet)
170	Miscellaneous Quantities - Removing Asphalt quantity table modified.
173	Miscellaneous Quantities - Asphalt Items quantity table modified.
181	Miscellaneous Quantities - Fence Chain Link 5-FT quantity table removed and replaced with Fence Chain Link with Top Rail, 5-FT quantity table.
223, 224, & 225	Plan - Type and Location of proposed fence modified in plan.

Added Plan Sheets	
Plan Sheet	Plan Sheet Title (brief description of why sheet was added)
23A & 23B	Construction Detail - Detail for Fence Chain Link with Top Rail, 5-FT added to project.
Deleted Plan Sheets	
Plan Sheet	Plan Sheet Title (brief description of why sheet was deleted)
---	None.

The responsibility for notifying potential subcontractors and suppliers of these changes remains with the prime contractor.

Sincerely,

Mike Coleman

Proposal Development Specialist
Proposal Management Section

ADDENDUM NO. 01

4140-19-73

May 6, 2019

Special Provisions

63. Fence Chain Link with Top Rail, 5-FT, Item SPV.0090.06.

A Description

This special provision describes providing and installing chain link fence with a top rail. Conform to Standard Spec 616 and as hereinafter described.

B Materials

Furnish materials that conform to 616.2.

Add the following to section 616.2.3.4 Post Tops paragraph 1:

Provide the base of each line post top with an opening for passage and support of the top rail.

Add the following to Standard Spec 616.2:

Use top rail of the type, size and length the plans show and of Group IA round steel pipe with a type A coating. Couple segments of rail by using internal swaged sleeve or a sleeve as the plans show or the engineer allows. Connect top rail to end, corner, intersection or intermediate braced posts using galvanized steel rail end fittings and brace bands that correlate with the dimensions of the top rail.

C Construction

Conform to 616.3.

Add the following to section 616.3.3.1 General:

Erect chain link fencing fabric, of the required height, attached at the top rail and bottom tension wire, on driven unbraced metal line posts.

Add the following to section 616.3.3.2 Setting Posts:

Set the posts, anchor the braces in place, and wait at least 24 hours after pouring concrete before placing the top rail and bottom tension wire.

Add the following to section 616.3.3.3 Erecting Fence Fabric:

Place and secure the top rail prior to erecting the fence fabric. Cut the top rail accordingly to fit between end, corner, intersection and intermediate braced posts. Connect the top rail to end, corner, intersection and intermediate braced posts using approximately sized rail end fittings and brace bands.

Attached the end of the fabric to the post with a tension bar threaded through the end loops of the fabric and secured to the post with clamps and bolt. Stretch the fabric with engineer-approved stretching equipment to remove all slack. Secure the stretched fabric to line posts, braces and tension wires with specified fabric fasteners. Place fabric fasteners on line posts at no greater than 14-inch centers; and on braces, top rail and tension wires at no greater than 18-inch centers. Repeat stretching operations at approximately every 100 feet for each run of fence.

D Measurement

The department will measure Fence Chain Link with Top Rail, 5-FT by the Linear Foot, acceptably completed. Measure from center to center of end posts, along the top rail. The department will deduct for gates and other openings.

E Payment

The department will pay for measured quantities at the contract unit price under the following bid item:

ITEM NUMBER	DESCRIPTION	UNIT
SPV.0090.06	Fence Chain Link with Top Rail, 5-FT	LF

Payment is full compensation for installing Fence Chain Link with Top Rail as describe above and as in Standard Spec 616.

Schedule of Items

Attached, dated May 6, 2019, are the revised Schedule of Items Pages 1 – 15.

Plan Sheets

The following 8½ x 11-inch sheets are attached and made part of the plans for this proposal:

Revised: 170, 173, 181, and 223-225.

Added: 23A and 23B.

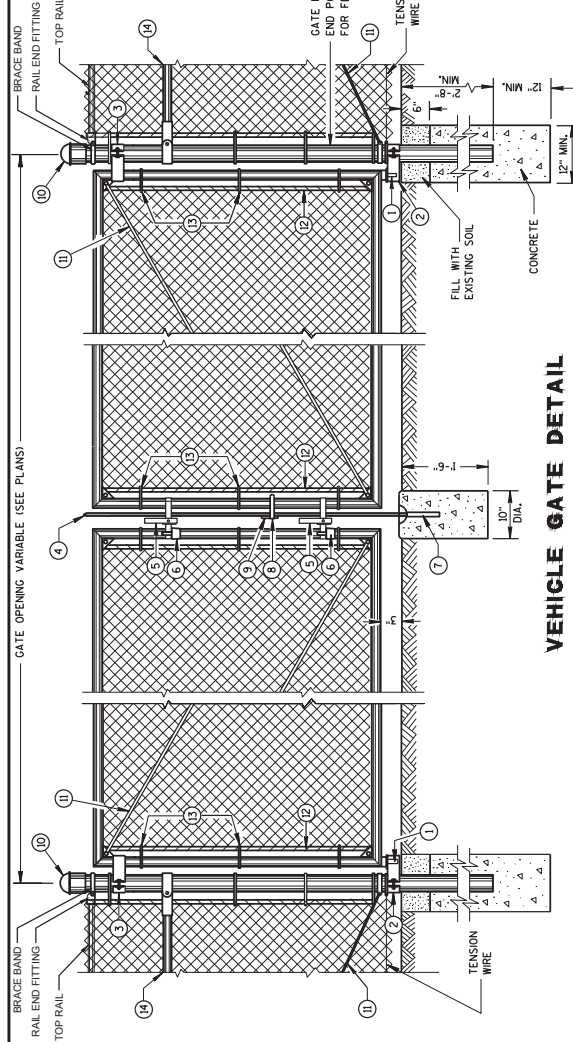
END OF ADDENDUM

GENERAL NOTES

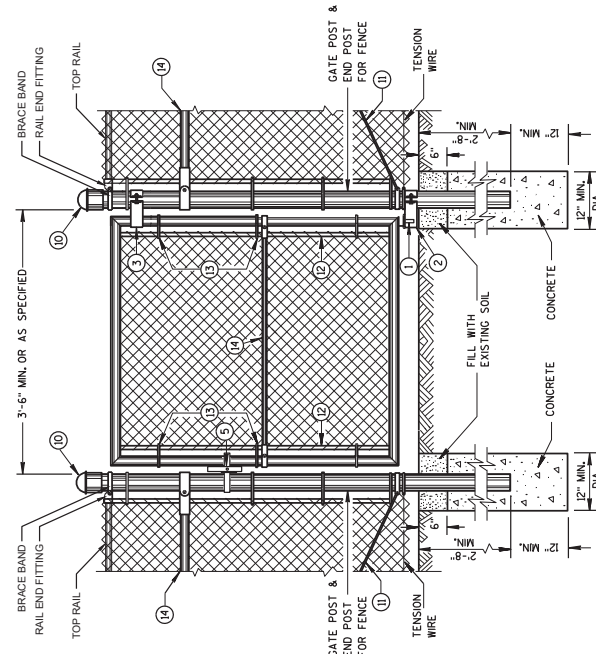
1. STRAIGHT PULG
 2. BOTTOM HINGE
 3. TOP HINGE
 4. PLUNGER ROD
 5. FULCRUM LATCH
 6. FORK CATCH *
 7. PLUNGER ROD CATCH
 8. LOCK KEEPER GUIDE
 9. LOCK KEEPER
 10. DOME TOPS
 11. TRUSS RODS
 12. TENSION BAR
 13. TENSION BANDS
 14. BRACE RAIL
- USE FENCE FABRIC KNUCKLED AT BOTH SELVAGES.
 FOR LEAF GATES GREATER THAN 8 FEET, INSTALL INTERIOR VERTICAL BRACE RAIL AT 8 FOOT INTERVALS.
 FOR FABRIC HEIGHTS GREATER THAN 8 FEET, INSTALL INTERIOR HORIZONTAL BRACE RAILS TO LEAF GATE.
 MAXIMUM SAG FOR OUTER GATE MEMBER SHALL NOT EXCEED THE GREATER OF 1% OF THE LEAF GATE WIDTH OR 2 INCHES.
 USE TYPE 2, CLASS 3, MARCELLED/CRIMPED, TENSION WIRE PER ASTM A BIT.

- LEGEND**
1. STRAIGHT PULG
 2. BOTTOM HINGE
 3. TOP HINGE
 4. PLUNGER ROD
 5. FULCRUM LATCH
 6. FORK CATCH *
 7. PLUNGER ROD CATCH
 8. LOCK KEEPER GUIDE
 9. LOCK KEEPER
 10. DOME TOPS
 11. TRUSS RODS
 12. TENSION BAR
 13. TENSION BANDS
 14. BRACE RAIL

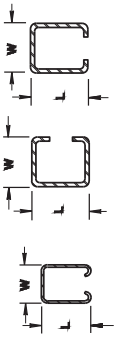
*NOT REQUIRED ON SINGLE SHING PEDESTRIAN GATE



VEHICLE GATE DETAIL



PEDESTRIAN GATE DETAIL



CROSS SECTIONS OF POSTS AND RAILS

ROLLED-FORMED STEEL FENCE POST (1.8 OZ./SQ. FT. COATING)

POST TYPE	LENGTH (L) INCH	WIDTH (W) INCH	WEIGHT LBS/FT
FS1	1.625	1.25	1.35
FS2†	1.875	1.625	1.850
FS2	1.875	1.625	2.400
FS3	2.250	1.700	2.780

ROUND STEEL FENCE POST (1.8 OZ./SQ. FT. COATING)

POST TYPE	OUTSIDE DIMENSION INCH	WALL THICKNESS INCH	WEIGHT LBS/FT
SP1	1.660	0.140	2.270
SP2	1.900	0.145	2.720
SP3	2.375	0.154	3.650
SP4	2.875	0.203	5.800
SP5	4.000	0.226	9.120
SP6	6.625	0.280	18.990
SP7	8.625	0.322	28.580

REQUIRED POST SIZE FOR GATES

USE	LEAF WIDTHS FEET	POST TYPE
GATES	LESS THAN OR EQUAL TO 6 FT.	SP4
	LESS THAN OR EQUAL TO 13 FT.	SP5
	LESS THAN OR EQUAL TO 16 FT.	SP6
	LESS THAN OR EQUAL TO 23 FT.	SP7
	LESS THAN OR EQUAL TO 6 FT.	SP4
	LESS THAN OR EQUAL TO 13 FT.	SP5
	LESS THAN OR EQUAL TO 23 FT.	SP7

ROUND STEEL TOP RAIL (1.8 OZ./SQ. FT. COATING)

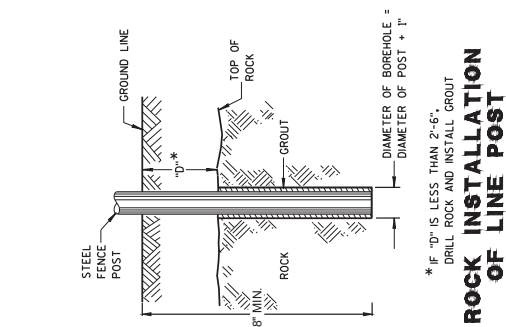
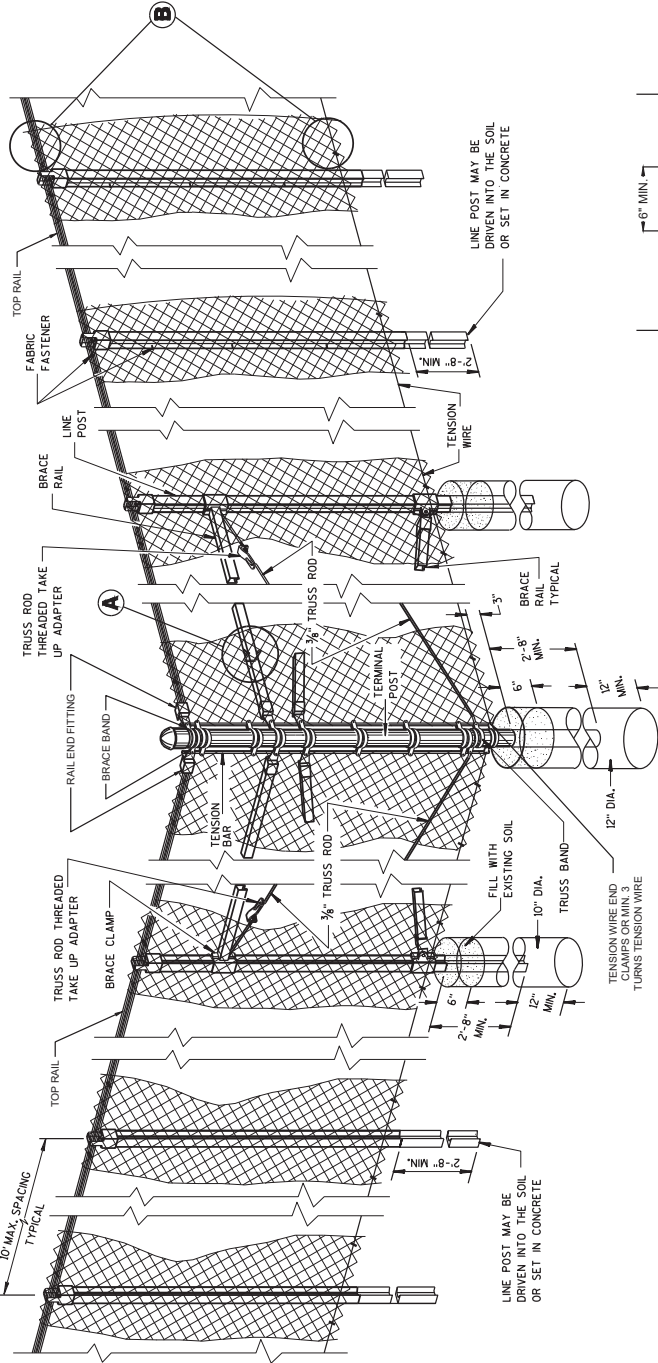
COUPLING	OUTSIDE DIMENSION INCH	WALL THICKNESS INCH	WEIGHT LBS/FT
INTERNAL SWAGED SLEEVE	1.375	0.0925	1.548

BRACE RAIL TYPES

USE	TYPE
BRACE RAIL	SP1 OR FS1

** INCLUDES END, CORNER, ANGLE, INTERSECTION AND INTERMEDIATE BRACED POSTS

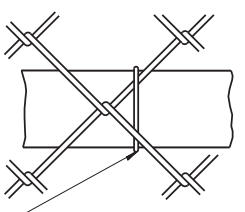
Addendum No. 01
 ID 4140-19-73
 Added Sheet 23A
 May 6, 2019



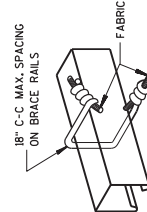
* IF "D" IS LESS THAN 2'-6"
DRILL ROCK AND INSTALL GROUT

**END, CORNER, ANGLE
INTERSECTION & INTERMEDIATE
BRACED POSTS**

FABRIC BAND, CLIPS OR
WIRE FASTENERS AT
14" C-C MAX. SPACING

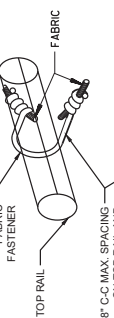


**BRACE RAIL
FABRIC FASTENER
A**



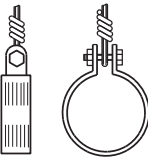
**Addendum No. 01
ID 4140-19-73
Added Sheet 23B
May 6, 2019**

AT TOP



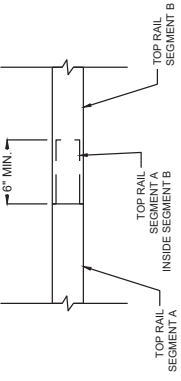
18" C-C MAX. SPACING
ON BRACE RAIL
TENSION WIRE

**LINE POST
FABRIC FASTENER**

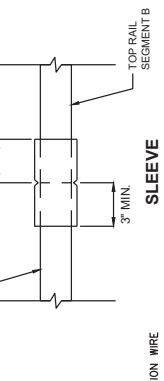


TENSION WIRE END CLAMP

INTERNAL SWAGED SLEEVE



TOP RAIL COUPLING SLEEVE



TOP RAIL COUPLING

B

CONSTRUCTION DETAIL - FENCE CHAIN LINK WITH TOP RAIL

REMOVING ASPHALT

CATG.	STATION	LOCATION	DESCRIPTION	REMOVING ASPHALT SURFACE SY	REMOVING ASPHALTIC SURFACE MILLING DEPTH INCHES	MILLING ASPHALTIC SURFACE SY	REMARKS
0010	96+50 - 139+00	STH 42	BLUFF LANE TO 139+00	18.870	2		SEE NOTE (2)
0010	120+96	STH 42 RT	ASPHALT DMY	8			
0010	139+00 - 154+24	STH 42	139+00 TO GIBRALTAR RD	4,120	2		SEE NOTE (1)
0010	130+56	STH 42 RT	ASPHALT SIDEWALK	2			
0010	138+41 - 141+85	STH 42	EXISTING ASPHALT DITCHES	317			
0010	143+27	STH 42 LT	ASPHALT DMY	4			
0010	149+12	STH 42 LT	ASPHALT DMY	8			
			SUBTOTAL 0010	22,990			
0060	10+42	144+73	SHORE ROAD STH 42 TO EVERGREEN RD	1,220	5		SEE NOTE (1)
			SUBTOTAL 0060	1,220			
			TOTAL	24,210			

(1) EXCLUDES COMMON EXCAVATION AND STORM SEWER REMOVAL AREAS (SAW CUT AREAS)
 (2) EXCLUDES COMMON EXCAVATION AREAS FOR CURB AND GUTTER FROM 134+35-139+00.

REMOVING ASPHALTIC SURFACE BUTT JOINTS

CATEGORY	STATION	LOCATION	REMARKS	REMOVING ASPHALTIC SURFACE BUTT JOINTS SY
0010	96+50	STH 42	BEGINNING OF PROJECT	9
0010	97+10	STH 42 RT	BLUFF LANE	7
0010	100+00	STH 42 LT	MAIN STREET	10
0010	100+01	STH 42 LT	SPRUCE STREET (GIBRALTAR)	10
0010	102+90	STH 42 RT	HILL STREET	8
0010	144+34	STH 42 RT	CTH F	10
0010	153+71	STH 42 RT	GIBRALTAR ROAD	7
0010	159+00	STH 42	END OF PROJECT	7
0010	16+62	SHORE RD		7
			SUBTOTAL 0010	75
0060	11+00	SHORE RD RT	ELM STREET	8
0060	13+10	SHORE RD RT	DMY	4
0060	14+41	SHORE RD RT	EVERGREEN ROAD	12
			SUBTOTAL 0060	24
			TOTAL	99

PRESPLITTING ROCK

CATEGORY	STATION TO	STATION	LOCATION	REMARKS	205.1300 LF
0010	139+40	- 14139	STH 42 LT	ROCK FACE WALL	199
			SUBTOTAL 0010		199
			TOTAL		199

REMOVING CONCRETE ITEMS

CATEGORY	STATION	TO	STATION	LOCATION	PAVEMENT			REMOVING CURB			REMOVING GUTTER			CONCRETE SIDEWALK			REMARKS
					SY	LF	SY	LF	SY	LF	SY	LF	SY	LF	SY		
0010	97+28	-	97+51	STH 42 RT													
0010	99+50	-	100+56	STH 42 LT													
0010	99+53	-	99+81	STH 42 LT													
0010	100+00	-	100+47	STH 42 LT													
0010	102+14	-	102+47	STH 42 LT													
0010	102+45	-	103+47	STH 42 RT													
0010	103+09	-	103+31	STH 42 LT													
0010	106+23	-	106+51	STH 42 LT													
0010	107+80	-	108+02	STH 42 LT													
0010	107+83	-	107+98	STH 42 RT													
0010	108+71	-	109+81	STH 42 LT													
0010	109+64	-	109+73	STH 42 RT													
0010	112+62	-	112+88	STH 42 RT													
0010	112+34	-	112+62	STH 42 RT													
0010	117+42	-	117+63	STH 42 LT													
0010	118+74	-	119+33	STH 42 RT													
0010	121+75	-	122+30	STH 42 RT													
0010	122+69	-	123+83	STH 42 RT													
0010	122+88	-	123+82	STH 42 LT													
0010	125+27	-	126+57	STH 42 LT													
0010	126+18	-	126+39	STH 42 RT													
0010	126+72	-	127+13	STH 42 RT													
0010	126+92	-	127+15	STH 42 LT													
0010	129+19	-	129+33	STH 42 LT													
0010	129+56	-	130+19	STH 42 RT													
0010	130+48	-	130+69	STH 42 RT													
0010	131+28	-	131+43	STH 42 LT													
0010	131+87	-	132+21	STH 42 LT													
0010	132+05	-	132+21	STH 42 RT													
0010	133+50	-	133+64	STH 42 RT													
0010	133+54	-	133+86	STH 42 LT													
0010	134+35	-	138+66	STH 42 LT													
0010	134+60	-	137+95	STH 42 RT													
0010	148+18	-	152+90	STH 42 LT													
0010	132	-	133	ISLAND LT													
0010	10+36	-	10+38	SHORE RD RT													
0010	10+37	-	10+88	CTH E LT													
0010	10+42	-	10+68	GIBR. RD RT													
0010	10+36	-	10+49	GIBR. RD LT													
				SUBTOTAL 0010	68	128	1,696		763								
0050	102+24	-	102+34	STH 42 RT													
0050	102+48	-	102+58	STH 42 LT													
0050	104+66	-	104+76	STH 42 RT													
0050	106+24	-	106+34	STH 42 RT													
0050	114+04	-	114+14	STH 42 RT													
0050	116+01	-	116+11	STH 42 LT													
0050	120+45	-	120+56	STH 42 LT													
0050	122+43	-	122+53	STH 42 RT													
0050	124+21	-	124+31	STH 42 LT													
0050	127+36	-	127+46	STH 42 LT													
				SUBTOTAL 0050													54
0060	10+40	-	15+10	SHORE ROAD LT													291
				SUBTOTAL 0060													291
				TOTAL	68	128	1,987		817								

PROJECT NO: 4140-19-73

HWY: STH 42

COUNTY: DOOR

MISCELLANEOUS QUANTITIES

SHEET: 170

FILE NAME: N:\PDS\1030200_mq.ppk

PLOT DATE: June 14, 1911

PLOT NAME:

PLOT SCALE: 1:1

ASPHALTIC DRIVEWAYS

465.012*
ASPHALTIC SURFACE
DRIVEWAYS AND
FIELD ENTRANCES

CATG.	STA.	OFFSET	TON	REMARKS
0010	112+75	RT	1	VILLAGE HALL
0010	120+97	RT	1	PRIVATE
0010	134+75	LT	2	PRIVATE
0010	134+93	RT	4	WINDMILL LN
0010	137+07	LT	5	PRIVATE
0010	137+58	LT	2	PRIVATE
0010	137+87	RT	2	PRIVATE
0010	138+55	LT	4	PRIVATE
0010	142+41	RT	12	PRIVATE
0010	145+08-148+17	LT	19	GIBALTAR AUDITORIUM DWY
0010	146+22-147+16	RT	29	FISH CREEK GRILL
0010	148+43	LT	37	GIBALTAR SCHOOL DWY SOUTH
0010	151+39	LT	59	GIBALTAR SCHOOL DWY NORTH
0010	156+48	LT	6	ATHLETIC FIELD ENTRANCE LT
SUBTOTAL 0010				183
0060	13+14	SHORE RT	3	PRIVATE
0060	15+00	SHORE LT	3	SUNSET TRAIL
SUBTOTAL 0060				6
TOTAL				189

*SEE SDD AND PLAN FOR URBAN DRIVEWAY THICKNESS

PREPARE FOUNDATION FOR ASPHALTIC PAYING

CATEGORY	STATION	LOCATION	LS	REMARKS
0010	96+50 - 159+00	STH 42	1	PROJECT LIMITS
SUBTOTAL 0010				1
TOTAL				1

Addendum No. 01
ID 4140-19-73
Revised Sheet 173
May 6, 2019

ASPHALT ITEMS		HMA PAVEMENT				ASPHALTIC SURFACE TEMPORARY	
CATG.	FROM TO	BASE TON	WEATHER PAVING TON	TACK COAT GAL	3 LT TON	4 LT TON	REMARKS
0010	125+00 - 131+00	345	920	230	---	330	STAGE 1
0010	125+00 - 131+39	590	920	230	---	330	STAGE 1
0010	96+50 - 134+35	---	---	1,215	---	2,085	STAGE 2
0010	134+35 - 145+00	345	---	580	600	513	STAGE 2
0010	145+00 - 159+00	475	---	655	810	700	STAGE 3
0010	10+42 - 13+66	---	145	25	85	60	STAGE 1
SUBTOTAL 0010		1,615	1,370	2,790	1,495	3,360	430
0060	106+67 - 106+97	100	150	20	---	---	STAGE 1
0060	10+55 - 15+20	---	365	65	210	155	STAGE 1
SUBTOTAL 0060		100	515	85	210	155	50
TOTAL		2,520	1,885	2,875	1,705	3,515	480

MISCELLANEOUS ASPHALTIC ITEMS

CATEGORY	STATION	LOCATION	ASPHALTIC SURFACE TON	CURB LF	FLUMES SV	REMARKS
0010	97+50-100+00	STH 42 RT	---	5	---	ATHLETIC FIELD ENTRANCE
0010	130+57	STH 42 RT	1	---	---	SIDEWALK
0010	140+34	STH 42 RT	1	---	---	PATH
0010	145+08	STH 42 LT	---	---	4	AUDITORIUM DWY
0010	152+90	STH 42 LT	---	---	14	ATHLETIC FIELD DWY
0010	156+27	STH 42 LT	---	---	16	ATHLETIC FIELD DWY
0010	10+48	GIBALTAR RD LT	---	---	9	---
SUBTOTAL 0010			2	5	43	---
TOTAL			2	5	43	---

INSULATION BOARD POLYSTYRENE 2-INCH

CATG.	STRUC.	STATION	OFFSET	LOCATION	SY	REMARKS
0060	---	126+90	28' LT	5TH 42	4	COVER 2 SANITARY PIPES
0060	---	127+10	12' LT	5TH 42	4	COVER 1 SANITARY PIPE
0060	---	131+56	12' LT	5TH 42	4	COVER 2 SANITARY PIPES
0060	---	142+53	3' RT	5TH 42	4	COVER 1 SANITARY PIPE
0060	---	143+97	5' RT	5TH 42	8	COVER 3 SANITARY PIPES
0060	---	144+73	24' RT	5TH 42	4	COVER 1 SANITARY PIPE
SUBTOTAL 0060					28	
TOTAL					28	

RECONNECTING EXISTING STORM SEWER LATERALS

CATEGORY	STRUCTURE	STATION	OFFSET	LOCATION	EACH	REMARKS
0010	24A	126+79	22' RT	5TH 42	1	12-INCH CORRUGATED POLYETHYLENE PIPE
0010	23A	129+26	22' LT	5TH 42	1	8-INCH PVC
0010	21A	131+35	22' RT	5TH 42	1	12-INCH CORRUGATED POLYETHYLENE PIPE
0010	20A	132+13	22' LT	5TH 42	1	12-INCH PVC
0010	26B	134+23	17' RT	SHORE RD	1	4-INCH PVC
SUBTOTAL 0010					5	
TOTAL					5	

ADJUSTING AND RECONSTRUCTING

CATEGORY	STATION	LOCATION	EACH	REMARKS
0010	102+69	5TH 42 34' RT	1	STORM SEWER
0010	102+90	5TH 42 14' RT	1	STORM SEWER
0010	103+07	5TH 42 45' RT	1	STORM SEWER
0010	137+19	5TH 42 31' LT	1	DNK' TULET
0010	131+51	5TH 42 57' RT	1	SANITARY, OLD GENERALTAR RD CONN.
SUBTOTAL 0010			5	
TOTAL			5	

FENCE CHAIN LINK WITH TOP RAIL, 5-ET

CATEGORY	STATION	LOCATION	LF	REMARKS
0010	139+06	5TH 42 LT	370	LOCATED 3" FROM R/W
SUBTOTAL 0010			370	
TOTAL			370	

MARKERS, CULVERT END

CATG.	STATION	LOCATION	EACH	REMARKS
0010	129+80	5TH 42 RT	1	
0010	144+66	5TH 42 RT	1	
0010	152+81	5TH 42 LT	2	GIBBL, SCHOOL PATH
0010	156+52	5TH 42 LT	2	DNK' PIPE
0010	156+66	5TH 42 RT	2	DNK' PIPE
0010	13+41	SHORE RD LT	1	YNCA PATH
SUBTOTAL 0010			10	
TOTAL			10	

MOBILIZATIONS, EROSION CONTROL

CATEGORY	DESCRIPTION	EACH	REMARKS
0010	STAGE 1	2	
0010	STAGE 2	2	
0010	STAGE 3	2	
SUBTOTAL 0010		6	
TOTAL		6	

PROJECT NO: 4140-19-73

HWY: 5TH 42

COUNTY: DOOR

MISCELLANEOUS QUANTITIES

SHEET: 181

E

FILE NAME: N\FPDS\...030200_mq.ppk

PLOT DATE: June 14, 1911

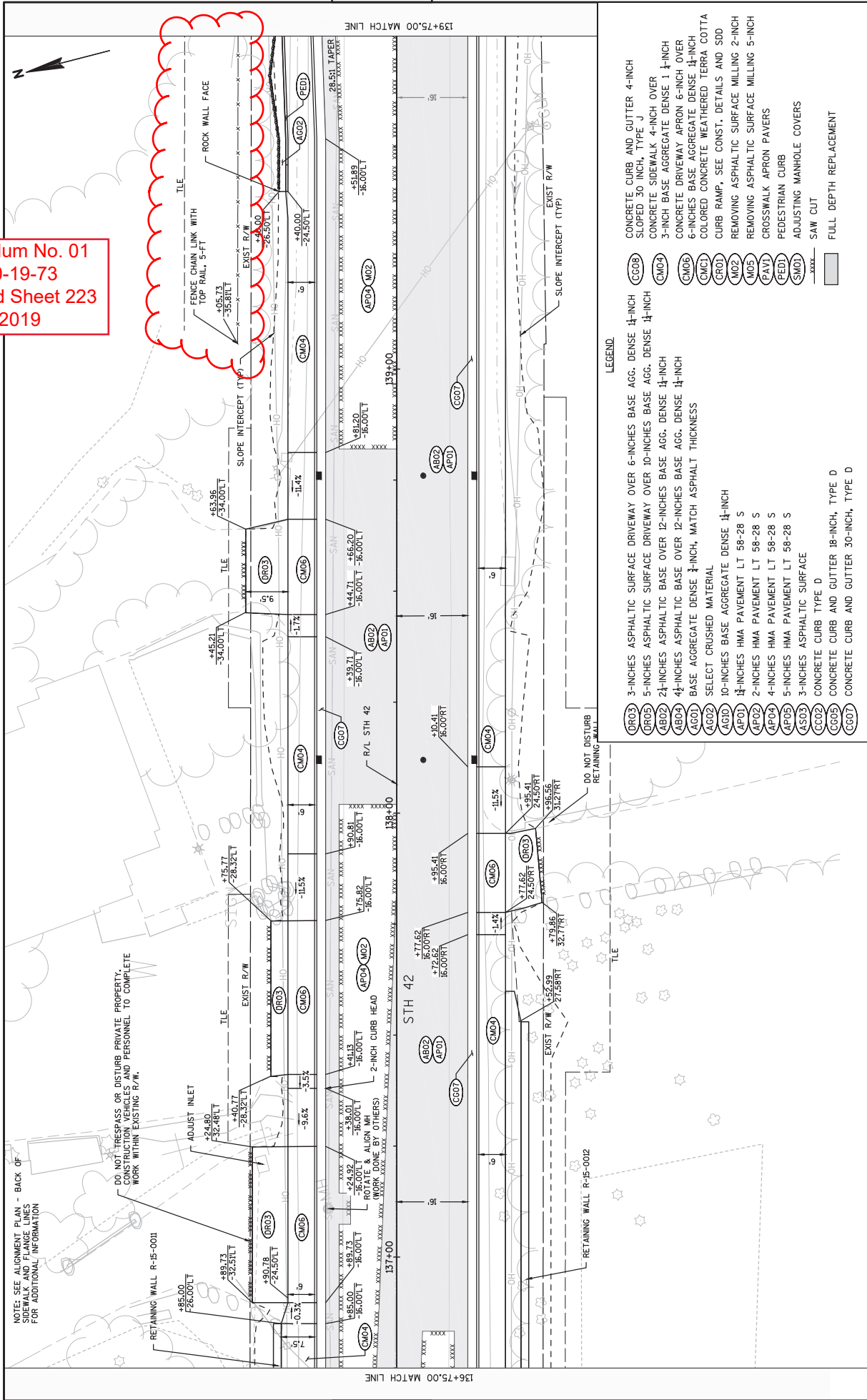
PLOT BY: A.R.H.

PLOT NAME:

PLOT SCALE: 1:1

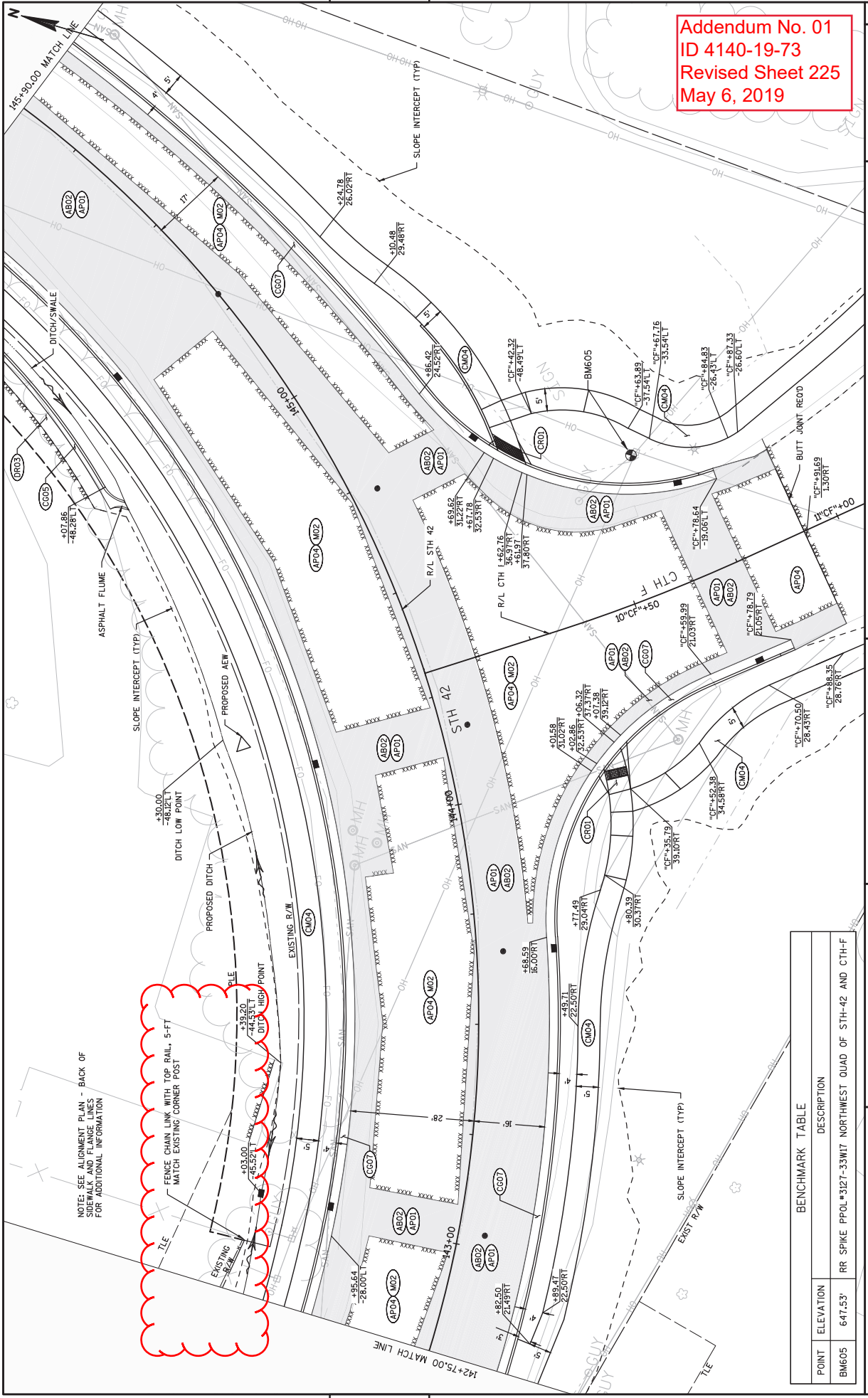
Addendum No. 01
ID 4140-19-73
Revised Sheet 181
May 6, 2019

Addendum No. 01
 ID 4140-19-73
 Revised Sheet 223
 May 6, 2019



PROJECT NO: 4140-19-73
 HWY: STH 42
 COUNTY: DOOR
 PLAN SHEETS
 SHEET 223
 E

Addendum No. 01
 ID 4140-19-73
 Revised Sheet 225
 May 6, 2019



NOTE: SEE ALIGNMENT PLAN - BACK OF SIDEWALK AND FLANGE LINES FOR ADDITIONAL INFORMATION

FENCE CHAIN LINK WITH TOP RAIL, 5-FT MATCH EXISTING CORNER POST

BENCHMARK TABLE	
POINT	ELEVATION
BMG05	647.53'



Proposal Schedule of Items

Proposal ID: 20190514025 Project(s): 4140-19-73

Federal ID(s): N/A

SECTION: 0001

Contract Items

Alt Set ID:

Alt Mbr ID:

Proposal Line Number	Item ID Description	Approximate Quantity and Units	Unit Price	Bid Amount
0002	108.4300 RBC Progress Schedule	1.000 EACH	_____.	_____.
0004	201.0105 Clearing	20.000 STA	_____.	_____.
0006	201.0205 Grubbing	20.000 STA	_____.	_____.
0008	203.0100 Removing Small Pipe Culverts	2.000 EACH	_____.	_____.
0010	204.0100 Removing Pavement	68.000 SY	_____.	_____.
0012	204.0110 Removing Asphaltic Surface	339.000 SY	_____.	_____.
0014	204.0115 Removing Asphaltic Surface Butt Joints	99.000 SY	_____.	_____.
0016	204.0120 Removing Asphaltic Surface Milling	24,210.000 SY	_____.	_____.
0018	204.0130 Removing Curb	128.000 LF	_____.	_____.
0020	204.0150 Removing Curb & Gutter	1,987.000 LF	_____.	_____.
0022	204.0155 Removing Concrete Sidewalk	817.000 SY	_____.	_____.
0024	204.0170 Removing Fence	591.000 LF	_____.	_____.
0026	204.0195 Removing Concrete Bases	37.000 EACH	_____.	_____.
0028	204.0210 Removing Manholes	12.000 EACH	_____.	_____.
0030	204.0220 Removing Inlets	12.000 EACH	_____.	_____.
0032	204.0245 Removing Storm Sewer (size) 01. 12-Inch	1,019.000 LF	_____.	_____.



Proposal Schedule of Items

Proposal ID: 20190514025 Project(s): 4140-19-73

Federal ID(s): N/A

SECTION: 0001

Contract Items

Alt Set ID:

Alt Mbr ID:

Proposal Line Number	Item ID Description	Approximate Quantity and Units	Unit Price	Bid Amount
0034	204.0245 Removing Storm Sewer (size) 02. 15-Inch	894.000 LF	_____.	_____.
0036	204.0245 Removing Storm Sewer (size) 03. 18-Inch	112.000 LF	_____.	_____.
0038	204.0245 Removing Storm Sewer (size) 04. 24-Inch	558.000 LF	_____.	_____.
0040	204.0245 Removing Storm Sewer (size) 05. 30-Inch	246.000 LF	_____.	_____.
0042	204.0245 Removing Storm Sewer (size) 06. 36-Inch	67.000 LF	_____.	_____.
0044	204.0280 Sealing Pipes	1.000 EACH	_____.	_____.
0046	204.9001.S Removing Advance Flasher Assemblies Type 1	2.000 EACH	_____.	_____.
0048	204.9002.S Removing Advance Flasher Assemblies Type 2	2.000 EACH	_____.	_____.
0050	204.9090.S Removing (item description) 01. Cables or Conduit	5,478.000 LF	_____.	_____.
0052	205.0100 Excavation Common	5,847.000 CY	_____.	_____.
0054	205.0200 Excavation Rock	161.000 CY	_____.	_____.
0056	205.1300 Presplitting Rock	199.000 LF	_____.	_____.
0058	211.0100 Prepare Foundation for Asphaltic Paving (project) 01. 4140-19-73	LS	LUMP SUM	_____.
0060	213.0100 Finishing Roadway (project) 01. 4140-19-73	1.000 EACH	_____.	_____.



Proposal Schedule of Items

Proposal ID: 20190514025 Project(s): 4140-19-73

Federal ID(s): N/A

SECTION: 0001

Contract Items

Alt Set ID:

Alt Mbr ID:

Proposal Line Number	Item ID Description	Approximate Quantity and Units	Unit Price	Bid Amount
0062	305.0110 Base Aggregate Dense 3/4-Inch	300.000 TON	_____	_____
0064	305.0120 Base Aggregate Dense 1 1/4-Inch	11,204.000 TON	_____	_____
0066	305.0500 Shaping Shoulders	3.000 STA	_____	_____
0068	312.0110 Select Crushed Material	24.000 TON	_____	_____
0070	315.0100 Asphaltic Base	1,715.000 TON	_____	_____
0072	405.0200 Coloring Concrete Custom	8.000 CY	_____	_____
0074	416.0160 Concrete Driveway 6-Inch	419.000 SY	_____	_____
0076	450.4000 HMA Cold Weather Paving	1,885.000 TON	_____	_____
0078	455.0605 Tack Coat	2,875.000 GAL	_____	_____
0080	460.2000 Incentive Density HMA Pavement	3,330.000 DOL	1.00000	3,330.00
0082	460.5223 HMA Pavement 3 LT 58-28 S	1,705.000 TON	_____	_____
0084	460.5224 HMA Pavement 4 LT 58-28 S	3,515.000 TON	_____	_____
0086	465.0105 Asphaltic Surface	2.000 TON	_____	_____
0088	465.0120 Asphaltic Surface Driveways and Field Entrances	189.000 TON	_____	_____
0090	465.0125 Asphaltic Surface Temporary	480.000 TON	_____	_____
0092	465.0310 Asphaltic Curb	5.000 LF	_____	_____



Proposal Schedule of Items

Proposal ID: 20190514025 Project(s): 4140-19-73

Federal ID(s): N/A

SECTION: 0001

Contract Items

Alt Set ID:

Alt Mbr ID:

Proposal Line Number	Item ID Description	Approximate Quantity and Units	Unit Price	Bid Amount
0094	465.0315 Asphaltic Flumes	43.000 SY	_____.	_____.
0096	511.1200 Temporary Shoring (structure) 01. R-15-11	450.000 SF	_____.	_____.
0098	520.1015 Apron Endwalls for Culvert Pipe 15-Inch	2.000 EACH	_____.	_____.
0100	520.4115 Culvert Pipe Class IV 15-Inch	64.000 LF	_____.	_____.
0102	520.8000 Concrete Collars for Pipe	18.000 EACH	_____.	_____.
0104	521.1217 Apron Endwalls for Pipe Arch Steel 17x13-Inch	4.000 EACH	_____.	_____.
0106	521.3717 Pipe Arch Corrugated Steel 17x13-Inch	30.000 LF	_____.	_____.
0108	522.1012 Apron Endwalls for Culvert Pipe Reinforced Concrete 12-Inch	1.000 EACH	_____.	_____.
0110	522.1018 Apron Endwalls for Culvert Pipe Reinforced Concrete 18-Inch	1.000 EACH	_____.	_____.
0112	522.2619 Apron Endwalls for Culvert Pipe Reinforced Concrete Horizontal Elliptical 19x30-Inch	1.000 EACH	_____.	_____.
0114	522.2629 Apron Endwalls for Culvert Pipe Reinforced Concrete Horizontal Elliptical 29x45-Inch	1.000 EACH	_____.	_____.
0116	601.0110 Concrete Curb Type D	10.000 LF	_____.	_____.
0118	601.0407 Concrete Curb & Gutter 18-Inch Type D	287.000 LF	_____.	_____.
0120	601.0411 Concrete Curb & Gutter 30-Inch Type D	6,258.000 LF	_____.	_____.



Proposal Schedule of Items

Proposal ID: 20190514025 Project(s): 4140-19-73

Federal ID(s): N/A

SECTION: 0001

Contract Items

Alt Set ID:

Alt Mbr ID:

Proposal Line Number	Item ID Description	Approximate Quantity and Units	Unit Price	Bid Amount
0122	601.0576 Concrete Curb & Gutter 4-Inch Sloped 30-Inch Type J	54.000 LF	_____.	_____.
0124	601.0600 Concrete Curb Pedestrian	485.000 LF	_____.	_____.
0126	602.0405 Concrete Sidewalk 4-Inch	32,417.000 SF	_____.	_____.
0128	602.0515 Curb Ramp Detectable Warning Field Natural Patina	424.000 SF	_____.	_____.
0130	602.0615 Curb Ramp Detectable Warning Field Radial Natural Patina	31.000 SF	_____.	_____.
0132	606.0200 Riprap Medium	2.000 CY	_____.	_____.
0134	608.0005 Storm Sewer Rock Excavation	358.000 CY	_____.	_____.
0136	608.0315 Storm Sewer Pipe Reinforced Concrete Class III 15-Inch	52.000 LF	_____.	_____.
0138	608.0412 Storm Sewer Pipe Reinforced Concrete Class IV 12-Inch	319.000 LF	_____.	_____.
0140	608.0415 Storm Sewer Pipe Reinforced Concrete Class IV 15-Inch	300.000 LF	_____.	_____.
0142	608.0418 Storm Sewer Pipe Reinforced Concrete Class IV 18-Inch	38.000 LF	_____.	_____.
0144	608.0430 Storm Sewer Pipe Reinforced Concrete Class IV 30-Inch	228.000 LF	_____.	_____.
0146	608.2319 Storm Sewer Pipe Reinforced Concrete Horizontal Elliptical Class HE-III 19x30-Inch	91.000 LF	_____.	_____.



Proposal Schedule of Items

Proposal ID: 20190514025 Project(s): 4140-19-73

Federal ID(s): N/A

SECTION: 0001

Contract Items

Alt Set ID:

Alt Mbr ID:

Proposal Line Number	Item ID Description	Approximate Quantity and Units	Unit Price	Bid Amount
0148	608.2329 Storm Sewer Pipe Reinforced Concrete Horizontal Elliptical Class HE-III 29x45-Inch	64.000 LF	_____.	_____.
0150	608.2419 Storm Sewer Pipe Reinforced Concrete Horizontal Elliptical Class HE-IV 19x30-Inch	763.000 LF	_____.	_____.
0152	608.2424 Storm Sewer Pipe Reinforced Concrete Horizontal Elliptical Class HE-IV 24x38-Inch	154.000 LF	_____.	_____.
0154	608.2429 Storm Sewer Pipe Reinforced Concrete Horizontal Elliptical Class HE-IV 29x45-Inch	614.000 LF	_____.	_____.
0156	608.3012 Storm Sewer Pipe Class III-A 12-Inch	263.000 LF	_____.	_____.
0158	608.3015 Storm Sewer Pipe Class III-A 15-Inch	621.000 LF	_____.	_____.
0160	608.3018 Storm Sewer Pipe Class III-A 18-Inch	69.000 LF	_____.	_____.
0162	608.3024 Storm Sewer Pipe Class III-A 24-Inch	1,453.000 LF	_____.	_____.
0164	608.6008 Storm Sewer Pipe Composite 8-Inch	14.000 LF	_____.	_____.
0166	611.0535 Manhole Covers Type J-Special	28.000 EACH	_____.	_____.
0168	611.0624 Inlet Covers Type H	35.000 EACH	_____.	_____.
0170	611.0639 Inlet Covers Type H-S	8.000 EACH	_____.	_____.
0172	611.0642 Inlet Covers Type MS	4.000 EACH	_____.	_____.
0174	611.0654 Inlet Covers Type V	2.000 EACH	_____.	_____.



Proposal Schedule of Items

Proposal ID: 20190514025 Project(s): 4140-19-73

Federal ID(s): N/A

SECTION: 0001

Contract Items

Alt Set ID:

Alt Mbr ID:

Proposal Line Number	Item ID Description	Approximate Quantity and Units	Unit Price	Bid Amount
0176	611.0666 Inlet Covers Type Z	1.000 EACH	_____.	_____.
0178	611.1003 Catch Basins 3-FT Diameter	2.000 EACH	_____.	_____.
0180	611.1004 Catch Basins 4-FT Diameter	7.000 EACH	_____.	_____.
0182	611.1005 Catch Basins 5-FT Diameter	1.000 EACH	_____.	_____.
0184	611.1006 Catch Basins 6-FT Diameter	2.000 EACH	_____.	_____.
0186	611.1230 Catch Basins 2x3-FT	26.000 EACH	_____.	_____.
0188	611.2004 Manholes 4-FT Diameter	6.000 EACH	_____.	_____.
0190	611.2005 Manholes 5-FT Diameter	13.000 EACH	_____.	_____.
0192	611.2006 Manholes 6-FT Diameter	4.000 EACH	_____.	_____.
0194	611.2007 Manholes 7-FT Diameter	4.000 EACH	_____.	_____.
0196	611.3004 Inlets 4-FT Diameter	1.000 EACH	_____.	_____.
0198	611.3230 Inlets 2x3-FT	7.000 EACH	_____.	_____.
0200	611.3901 Inlets Median 1 Grate	4.000 EACH	_____.	_____.
0202	611.8110 Adjusting Manhole Covers	2.000 EACH	_____.	_____.
0204	611.8115 Adjusting Inlet Covers	3.000 EACH	_____.	_____.
0206	611.8120.S Cover Plates Temporary	2.000 EACH	_____.	_____.
0208	612.0206 Pipe Underdrain Unperforated 6-Inch	31.000 LF	_____.	_____.



Proposal Schedule of Items

Proposal ID: 20190514025 Project(s): 4140-19-73

Federal ID(s): N/A

SECTION: 0001

Contract Items

Alt Set ID:

Alt Mbr ID:

Proposal Line Number	Item ID Description	Approximate Quantity and Units	Unit Price	Bid Amount
0210	612.0406 Pipe Underdrain Wrapped 6-Inch	386.000 LF	_____.	_____.
0212	612.0902.S Insulation Board Polystyrene (inch) 01. 2-INCH	28.000 SY	_____.	_____.
0216	616.0700.S Fence Safety	919.000 LF	_____.	_____.
0218	618.0100 Maintenance And Repair of Haul Roads (project) 01. 4140-19-73	1.000 EACH	_____.	_____.
0220	619.1000 Mobilization	1.000 EACH	_____.	_____.
0222	620.0300 Concrete Median Sloped Nose	287.000 SF	_____.	_____.
0224	624.0100 Water	107.900 MGAL	_____.	_____.
0226	625.0100 Topsoil	796.000 SY	_____.	_____.
0228	627.0200 Mulching	716.000 SY	_____.	_____.
0230	628.1504 Silt Fence	3,619.000 LF	_____.	_____.
0232	628.1520 Silt Fence Maintenance	3,619.000 LF	_____.	_____.
0234	628.1905 Mobilizations Erosion Control	6.000 EACH	_____.	_____.
0236	628.1910 Mobilizations Emergency Erosion Control	4.000 EACH	_____.	_____.
0238	628.2004 Erosion Mat Class I Type B	566.000 SY	_____.	_____.
0240	628.6510 Soil Stabilizer Type B	0.800 ACRE	_____.	_____.
0242	628.7005 Inlet Protection Type A	2.000 EACH	_____.	_____.



Proposal Schedule of Items

Proposal ID: 20190514025 Project(s): 4140-19-73

Federal ID(s): N/A

SECTION: 0001

Contract Items

Alt Set ID:

Alt Mbr ID:

Proposal Line Number	Item ID Description	Approximate Quantity and Units	Unit Price	Bid Amount
0244	628.7010 Inlet Protection Type B	20.000 EACH	_____.	_____.
0246	628.7015 Inlet Protection Type C	93.000 EACH	_____.	_____.
0248	628.7020 Inlet Protection Type D	7.000 EACH	_____.	_____.
0250	628.7504 Temporary Ditch Checks	69.000 LF	_____.	_____.
0252	628.7555 Culvert Pipe Checks	17.000 EACH	_____.	_____.
0254	628.7570 Rock Bags	172.000 EACH	_____.	_____.
0256	629.0210 Fertilizer Type B	5.180 CWT	_____.	_____.
0258	630.0140 Seeding Mixture No. 40	14.000 LB	_____.	_____.
0260	630.0200 Seeding Temporary	22.000 LB	_____.	_____.
0262	631.0300 Sod Water	794.000 MGAL	_____.	_____.
0264	631.1000 Sod Lawn	7,092.000 SY	_____.	_____.
0266	633.5200 Markers Culvert End	10.000 EACH	_____.	_____.
0268	634.0614 Posts Wood 4x6-Inch X 14-FT	23.000 EACH	_____.	_____.
0270	634.0616 Posts Wood 4x6-Inch X 16-FT	32.000 EACH	_____.	_____.
0272	634.0618 Posts Wood 4x6-Inch X 18-FT	7.000 EACH	_____.	_____.
0274	637.2210 Signs Type II Reflective H	374.920 SF	_____.	_____.
0276	637.2220 Signs Type II Reflective SH	6.750 SF	_____.	_____.



Proposal Schedule of Items

Proposal ID: 20190514025 Project(s): 4140-19-73

Federal ID(s): N/A

SECTION: 0001

Contract Items

Alt Set ID:

Alt Mbr ID:

Proposal Line Number	Item ID Description	Approximate Quantity and Units	Unit Price	Bid Amount
0278	637.2230 Signs Type II Reflective F	195.170 SF	_____.	_____.
0280	638.2102 Moving Signs Type II	2.000 EACH	_____.	_____.
0282	638.2602 Removing Signs Type II	68.000 EACH	_____.	_____.
0284	638.3000 Removing Small Sign Supports	62.000 EACH	_____.	_____.
0286	642.5401 Field Office Type D	1.000 EACH	_____.	_____.
0288	643.0300 Traffic Control Drums	9,950.000 DAY	_____.	_____.
0290	643.0310.S Temporary Portable Rumble Strips	LS	LUMP SUM	_____.
0292	643.0410 Traffic Control Barricades Type II	460.000 DAY	_____.	_____.
0294	643.0420 Traffic Control Barricades Type III	12,015.000 DAY	_____.	_____.
0296	643.0705 Traffic Control Warning Lights Type A	7,335.000 DAY	_____.	_____.
0298	643.0900 Traffic Control Signs	16,440.000 DAY	_____.	_____.
0300	643.0920 Traffic Control Covering Signs Type II	1.000 EACH	_____.	_____.
0302	643.1000 Traffic Control Signs Fixed Message	114.000 SF	_____.	_____.
0304	643.1050 Traffic Control Signs PCMS	21.000 DAY	_____.	_____.
0306	643.5000 Traffic Control	1.000 EACH	_____.	_____.
0308	644.1410.S Temporary Pedestrian Surface Asphalt	500.000 SF	_____.	_____.
0310	644.1430.S Temporary Pedestrian Surface Plate	250.000 SF	_____.	_____.



Proposal Schedule of Items

Proposal ID: 20190514025 Project(s): 4140-19-73

Federal ID(s): N/A

SECTION: 0001

Contract Items

Alt Set ID:

Alt Mbr ID:

Proposal Line Number	Item ID Description	Approximate Quantity and Units	Unit Price	Bid Amount
0312	644.1601.S Temporary Curb Ramp	7.000 EACH	_____.	_____.
0314	644.1616.S Temporary Pedestrian Safety Fence	950.000 LF	_____.	_____.
0316	645.0120 Geotextile Type HR	39.000 SY	_____.	_____.
0318	646.1020 Marking Line Epoxy 4-Inch	11,832.000 LF	_____.	_____.
0320	646.3020 Marking Line Epoxy 8-Inch	424.000 LF	_____.	_____.
0322	646.4520 Marking Line Same Day Epoxy 4-Inch	7,398.000 LF	_____.	_____.
0324	646.5020 Marking Arrow Epoxy	6.000 EACH	_____.	_____.
0326	646.5120 Marking Word Epoxy	1.000 EACH	_____.	_____.
0328	646.6120 Marking Stop Line Epoxy 18-Inch	152.000 LF	_____.	_____.
0330	646.7120 Marking Diagonal Epoxy 12-Inch	377.000 LF	_____.	_____.
0332	646.7420 Marking Crosswalk Epoxy Transverse Line 6-Inch	1,510.000 LF	_____.	_____.
0334	646.8120 Marking Curb Epoxy	2,383.000 LF	_____.	_____.
0336	646.8220 Marking Island Nose Epoxy	6.000 EACH	_____.	_____.
0338	646.8320 Marking Parking Stall Epoxy	5,307.000 LF	_____.	_____.
0340	646.9000 Marking Removal Line 4-Inch	260.000 LF	_____.	_____.
0342	649.0105 Temporary Marking Line Paint 4-Inch	15,660.000 LF	_____.	_____.



Proposal Schedule of Items

Proposal ID: 20190514025 Project(s): 4140-19-73

Federal ID(s): N/A

SECTION: 0001

Contract Items

Alt Set ID:

Alt Mbr ID:

Proposal Line Number	Item ID Description	Approximate Quantity and Units	Unit Price	Bid Amount
0344	650.4000 Construction Staking Storm Sewer	83.000 EACH	_____.	_____.
0346	650.4500 Construction Staking Subgrade	6,378.000 LF	_____.	_____.
0348	650.5000 Construction Staking Base	6,378.000 LF	_____.	_____.
0350	650.5500 Construction Staking Curb Gutter and Curb & Gutter	6,716.000 LF	_____.	_____.
0352	650.6000 Construction Staking Pipe Culverts	3.000 EACH	_____.	_____.
0354	650.8000 Construction Staking Resurfacing Reference	6,882.000 LF	_____.	_____.
0356	650.8500 Construction Staking Electrical Installations (project) 01. 4140-19-73	LS	LUMP SUM	_____.
0358	650.9000 Construction Staking Curb Ramps	39.000 EACH	_____.	_____.
0360	650.9910 Construction Staking Supplemental Control (project) 01. 4140-19-73	LS	LUMP SUM	_____.
0362	650.9920 Construction Staking Slope Stakes	4,678.000 LF	_____.	_____.
0364	652.0225 Conduit Rigid Nonmetallic Schedule 40 2-Inch	5,789.000 LF	_____.	_____.
0366	652.0605 Conduit Special 2-Inch	6,330.000 LF	_____.	_____.
0368	653.0164 Pull Boxes Non-Conductive 24x42-Inch	2.000 EACH	_____.	_____.
0370	654.0102 Concrete Bases Type 2	1.000 EACH	_____.	_____.
0372	654.0220 Concrete Control Cabinet Bases Type 10	1.000 EACH	_____.	_____.



Proposal Schedule of Items

Proposal ID: 20190514025 Project(s): 4140-19-73

Federal ID(s): N/A

SECTION: 0001

Contract Items

Alt Set ID:

Alt Mbr ID:

Proposal Line Number	Item ID Description	Approximate Quantity and Units	Unit Price	Bid Amount
0374	655.0230 Cable Traffic Signal 5-14 AWG	60.000 LF	_____.	_____.
0376	655.0515 Electrical Wire Traffic Signals 10 AWG	30.000 LF	_____.	_____.
0378	655.0610 Electrical Wire Lighting 12 AWG	7,770.000 LF	_____.	_____.
0380	655.0625 Electrical Wire Lighting 6 AWG	39,891.000 LF	_____.	_____.
0382	655.0630 Electrical Wire Lighting 4 AWG	39,891.000 LF	_____.	_____.
0384	656.0200 Electrical Service Meter Breaker Pedestal (location) 01. STH 42 & Main St.	LS	LUMP SUM	_____.
0386	657.0305 Poles Type 2	1.000 EACH	_____.	_____.
0388	657.0590 Trombone Arms 20-FT	1.000 EACH	_____.	_____.
0390	658.0171 Traffic Signal Face 1S 12-Inch	2.000 EACH	_____.	_____.
0392	658.5069 Signal Mounting Hardware (location) 01. STH 42 & Main St.	LS	LUMP SUM	_____.
0394	690.0150 Sawing Asphalt	10,295.000 LF	_____.	_____.
0396	690.0250 Sawing Concrete	753.000 LF	_____.	_____.
0398	740.0440 Incentive IRI Ride	2,400.000 DOL	1.00000	2,400.00
0400	999.1500.S Crack and Damage Survey	LS	LUMP SUM	_____.
0402	SPV.0060 Special 01. Salvage Lighting Unit	7.000 EACH	_____.	_____.



Proposal Schedule of Items

Proposal ID: 20190514025 Project(s): 4140-19-73

Federal ID(s): N/A

SECTION: 0001

Contract Items

Alt Set ID:

Alt Mbr ID:

Proposal Line Number	Item ID Description	Approximate Quantity and Units	Unit Price	Bid Amount
0404	SPV.0060 Special 02. Reconnecting Storm Sewer Laterals	5.000 EACH	_____.	_____.
0406	SPV.0060 Special 03. Removing Lighting Unit	27.000 EACH	_____.	_____.
0408	SPV.0060 Special 04. Install Lighting Unit Type Special	75.000 EACH	_____.	_____.
0410	SPV.0060 Special 05. Lighting Control Cabinet Base Type Special	2.000 EACH	_____.	_____.
0412	SPV.0060 Special 06. Concrete Bases Type Special	73.000 EACH	_____.	_____.
0414	SPV.0060 Special 07. Trimming Trees	2.000 EACH	_____.	_____.
0416	SPV.0060 Special 08. Pipe Inlet Structure	1.000 EACH	_____.	_____.
0418	SPV.0060 Special 09. Manhole special 8-FT	1.000 EACH	_____.	_____.
0420	SPV.0060 Special 10. Removing Landscape Rocks	10.000 EACH	_____.	_____.
0422	SPV.0060 Special 11. Lighting Control Cabinets Type Special	2.000 EACH	_____.	_____.
0424	SPV.0060 Special 12. Concrete Base Spread Footing	2.000 EACH	_____.	_____.
0426	SPV.0075 Special 01. Street Sweeping	48.000 HRS	_____.	_____.
0428	SPV.0090 Special 01. Fence Chain Link Polymer Coated 4-FT	384.000 LF	_____.	_____.
0430	SPV.0090 Special 02. Concrete Cold Weather Covering Curb and Gutter Plastic 1 Layer	3,000.000 LF	_____.	_____.



Proposal Schedule of Items

Proposal ID: 20190514025 Project(s): 4140-19-73

Federal ID(s): N/A

SECTION: 0001

Contract Items

Alt Set ID:

Alt Mbr ID:

Proposal Line Number	Item ID Description	Approximate Quantity and Units	Unit Price	Bid Amount
0432	SPV.0090 Special 03. Concrete Cold Weather Covering Curb and Gutter Plastic 2 Layers	3,000.000 LF	_____.	_____.
0434	SPV.0090 Special 04. Concrete Cold Weather Covering Curb and Gutter Plastic/Hay/Plastic	3,000.000 LF	_____.	_____.
0436	SPV.0090 Special 05. Joint Ties	528.000 LF	_____.	_____.
0438	SPV.0105 Special 01. Removing Flashing Beacon (STH 42 & Main St.)	LS	LUMP SUM	_____.
0440	SPV.0165 Special 01. Wall Modular Block Mechanically Stabilized Earth (R-15-11)	1,250.000 SF	_____.	_____.
0442	SPV.0165 Special 02. Wall Modular Block Mechanically Stabilized Earth (R-15-12)	1,033.000 SF	_____.	_____.
0444	SPV.0165 Special 03. Crosswalk Apron Pavers	160.000 SF	_____.	_____.
0446	SPV.0165 Special 04. Concrete Cold Weather Covering Sidewalk Plastic 1 Layer	12,000.000 SF	_____.	_____.
0448	SPV.0165 Special 05. Concrete Cold Weather Covering Sidewalk Plastic 2 Layers	12,000.000 SF	_____.	_____.
0450	SPV.0165 Special 06. Concrete Cold Weather Covering Sidewalk Plastic/Hay/Plastic	12,000.000 SF	_____.	_____.
0452	SPV.0090 Special 06. Fence Chain Link with Top Rail, 5-FT	370.000 LF	_____.	_____.
Section: 0001			Total:	_____.
			Total Bid:	_____.

