



Wisconsin Department of Transportation

July 25, 2019

Division of Transportation Systems Development

Bureau of Project Development
4822 Madison Yards Way, 4th Floor South
Madison, WI 53705

Telephone: (608) 266-1631
Facsimile (FAX): (608) 266-8459

NOTICE TO ALL CONTRACTORS:

**Proposal #03: 5290-00-72, WISC 2019 576
USH 12 – IH 39
River Road to IH 39
STH 19
Dane County**

Letting of August 13, 2019

This is Addendum No. 01, which provides for the following:

Special Provisions:

Deleted Special Provisions	
Article No.	Description
35	371.1000.S, QMP Base Aggregate Dense 1 1/4" Inch Compaction

Schedule of Items:

Deleted Bid Item Quantities					
Bid Item	Item Description	Unit	Old Quantity	Revised Quantity	Proposal Total
371.1000.S	QMP Base Aggregate Dense 1 1/4" Compaction	Ton	50,140	-50,140	0

Plan Sheets:

Revised Plan Sheets	
Plan Sheet	Plan Sheet Title (brief description of changes to sheet)
228	Bid item 371.1000.S QMP Base Aggregate Dense 1 1/4" Compaction removed from miscellaneous quantity table
231	Bid item 371.1000.S QMP Base Aggregate Dense 1 1/4" Compaction removed from miscellaneous quantity table
233	Bid item 371.1000.S QMP Base Aggregate Dense 1 1/4" Compaction removed from miscellaneous quantity table
237	Bid item 371.1000.S QMP Base Aggregate Dense 1 1/4" Compaction removed from miscellaneous quantity table
266	Bid item 371.1000.S QMP Base Aggregate Dense 1 1/4" Compaction removed from miscellaneous quantity table

514	Structure B-13-794 (end plate detail removed)
540	Structure B-13-795 (end plate detail removed)

The responsibility for notifying potential subcontractors and suppliers of these changes remains with the prime contractor.

Sincerely,

Mike Coleman

Proposal Development Specialist
Proposal Management Section

ADDENDUM NO. 01

5290-00-72

July 25, 2019

Special Provisions

35. DELETED

Schedule of Items

Attached, dated July 25, 2019, are the revised Schedule of Items Pages 3 – 12.

Plan Sheets

The following 8½ x 11-inch sheets are attached and made part of the plans for this proposal:
Revised: 228, 231, 233, 237, 266, 514, 540.

END OF ADDENDUM

Addendum No. 01
 ID 5290-00-72
 Revised Sheet 228
 July 25, 2019

3

3

BASE AGGREGATE MATERIAL

0010		305.0110*		305.0120*		371.1000.S*		624.0100	
		BASE AGGREGATE		BASE AGGREGATE		QMP BASE			
		DENSE 3/4-INCH		DENSE 1 1/4-INCH		1 1/4-INCH COMPACTION		WATER	
CAT	STA	TO	STA	ALI	TON	TON	TON	MGAL	
	131+25	-	144+25	WB	130	6950	6950	71	
	10+00	-	14+27	CR	-	780	780	8	
	49+90	-	55+09	RSB	66	2470	2470	25	
	56+78	-	62+10	RNB	83	2640	2640	27	
	145+85	-	154+32	WB	170	3320	3320	35	
	155+58	-	194+55	WB	900	16000	16000	170	
	7+65	-	9+64	LWS	-	540	540	5	
	8+85	-	9+64	LES	-	190	190	2	
	156+58	-	167+96	YA	750	1570	1570	23	
	UNDISTRIBUTED				211	3440	3440	34	
	CATEGORY 0010 SUBTOTAL				2310	37900	37900	400	
0050	CATEGORY 0050 SUBTOTAL				0	3450	3450	35	
	51+30	-	55+08	RNB	-	54	54	1	
	57+08	-	59+64	RSB	-	280	280	3	
	159+54	-	167+59	EB	-	580	580	6	
	8+00	-	9+64	LWS	-	97	97	1	
	302+47	-	304+37	TCS	-	1560	1560	16	
	10+36	-	11+18	CW	-	570	570	6	
	UNDISTRIBUTED				0	310	310	3	
	CATEGORY 0050 SUBTOTAL				0	3450	3450	35	
	PROJECT TOTAL				2310	41350	41350	435	

*ADDITIONAL QUANTITIES LISTED ELSEWHERE

SELECT CRUSHED MATERIAL

0010		312.0110*		645.0220*		
		SELECT		GEOGRID		
		CRUSHED MATERIAL		TYPE SR		
CAT	STA	TO	STA	ALIGN	TON	SY
	134+80	-	143+00	WB/EB	3630	5710
	143+00	-	147+00	WB/EB	4350	6870
	52+83	-	54+00	RNB	620	960
	58+00	-	59+64	RNB	660	1020
	147+00	-	154+34	EB	2200	3450
	147+00	-	154+48	WB	2160	3380
	155+62	-	194+00	EB	12200	19240
	155+75	-	194+55	WB	10800	17010
	UNDISTRIBUTED EBS				5770	-
	CATEGORY 0010 SUBTOTAL				42390	57640
0050	CATEGORY 0050 SUBTOTAL				93	150
	52+83	-	55+04	RNB	500	790
	57+93	-	59+64	RNB	1610	2530
	159+54	-	167+59	EB	93	150
	9+14	-	9+64	LWS	1000	1580
	302+37	-	302+96	TC	1280	2020
	168+42	-	176+81	WB	870	1370
	10+26	-	10+82	CW	660	-
	UNDISTRIBUTED EBS				6106	8590
	CATEGORY 0050 SUBTOTAL				6106	8590
	PROJECT TOTAL				48496	66230

*ADDITIONAL QUANTITIES LISTED ELSEWHERE
 **INCLUDES FRENCH DRAIN QUANTITIES

Addendum No. 01
ID 5290-00-72
Revised Sheet 231
July 25, 2019

DRIVEWAYS

CAT	STA	TO	STA	OFFSET	ALIGN	TON	SY	TON	TON
305.0120*	371.1000.S*	416.0160	465.0120						
BASE	QMP BASE		ASPHALTIC						
AGGREGATE	AGGREGATE DENSE	CONCRETE	SURFACE						
DENSE	1 1/4-INCH	DRIVEWAY	DRIVEWAYS AND						
1	1/4-INCH	COMPACTION	FIELD ENTRANCES						
CAT	STA	TO	STA	OFFSET	ALIGN	TON	SY	TON	TON
0010									
	59+60	-	59+84	RT	RNB	55	-	-	
	60+13	-	60+55	RT	RNB	26	-	-	
	60+73	-	61+25	LT	RSB	26	-	-	
	62+30	-	62+70	LT	RSB	24	-	9	
	159+98	-	160+74	LT	WB	35	-	14	
	7+97	-	8+32	LT	LWS	14	37	-	
	CATEGORY 0010 SUBTOTAL					180	37	23	
PROJECT TOTAL						180	37	23	

* ADDITIONAL QUANTITIES LISTED ELSEWHERE

ASPHALT FLUMES

CAT	STA	TO	STA	OFFSET	ALIGN	SY
465.0315						
ASPHALT						
FLUMES						
CAT	STA	TO	STA	OFFSET	ALIGN	SY
0010						
	53+90	-	53+98	LT	RSB	16
	53+78	-	53+86	RT	RNB	23
	58+04	-	58+12	RT	RNB	16
	58+10	-	58+18	LT	RSB	23
	147+32	-	147+40	RT	EB	24
	149+53	-	149+61	LT	EB	12
	149+64	-	149+72	RT	WB	12
	149+64	-	149+72	LT	WB	17
	188+36	-	188+44	RT	EB	12
	CATEGORY 0010 SUBTOTAL					155
0050						
	162+14	-	162+43	LT	EB	31
	173+56	-	173+84	RT	WB	31
	CATEGORY 0050 SUBTOTAL					62
PROJECT TOTAL						217

TEMPORARY ASPHALTIC CURB

CAT	STA	TO	STA	OFFSET	ALIGN	LF	COMMENTS
SPV.0090.01							
ASPHALTIC							
CURB TEMPORARY							
CAT	STA	TO	STA	OFFSET	ALIGN	LF	COMMENTS
0010							
	188+14	-	194+69	LT/RT	WB	660	INSTALLED IN STAGE 1D TEMPORARY EB SHIFT
	CATEGORY 0010 SUBTOTAL					660	
PROJECT TOTAL						660	

RUMBLE STRIPS

CAT	STA	TO	STA	OFFSET	ALIGN	LF	LF	LS	LF	LF	LF
416.1110											
CONCRETE											
SHOULDER											
RUMBLE STRIPS											
CAT	STA	TO	STA	OFFSET	ALIGN	LF	LF	LS	LF	LF	LF
0010											
	131+25	-	134+76	CL	WB	-	351	-	355	-	355
	131+25	-	139+23	LT	WB	-	-	-	-	-	-
	131+95	-	142+18	RT	EB	-	1026	-	-	-	-
	147+32	-	154+16	RT	EB	684	-	-	-	-	-
	149+64	-	154+32	LT	WB	468	-	-	-	-	-
	150+14	-	154+07	LT	WB	-	393	-	-	-	-
	156+02	-	162+82	RT	EB	-	680	-	-	-	-
	156+18	-	159+72	LT	WB	-	354	-	-	-	-
	161+00	-	165+88	LT	WB	-	488	-	-	-	-
	USED FOR FLAGGING OPERATION										
	CATEGORY 0010 SUBTOTAL					1152	3739	351	1	355	355
PROJECT TOTAL						1152	3739	351	1	355	355

Addendum No. 01
 ID 5290-00-72
 Revised Sheet 233
 July 25, 2019

3

ASPHALTIC SURFACE TEMPORARY

CAT	STAGE	STA	TO	STA	OFFSET	ALIGN	305.0120*		312.0110*		371.1000.S		450.1100.S	460.4110.S	465.0110	465.0125	645.0220*	SY	COMMENTS		
							TON	1 1/4-INCH	TON	1 1/4-INCH	TON	1 1/4-INCH								TON	REHEATING
							BASE	AGGREGATE	SELECT	OMP BASE	AGGREGATE	ASPHALTIC	ASPHALTIC	ASPHALTIC	ASPHALTIC	ASPHALTIC	ASPHALTIC	ASPHALTIC	ASPHALTIC		
							DENSE	DENSE	CRUSH	DENSE	DENSE	MIXTURE	EXTREME	LONGITUDINAL	PATCHING	SURFACE	SURFACE	SURFACE	SURFACE		
							3/4-INCH	1 1/4-INCH	MATERIAL	COMPACTON	CONDITIONS	JOINTS	REHEATING	ASPHALTIC	ASPHALTIC	ASPHALTIC	ASPHALTIC	ASPHALTIC	ASPHALTIC		
							TON	TON	TON	TON	TON	TON	LF	TON	TON	TON	TON	TON	TON		
							1440	2220	1440	2220	1440	2220	2220	2220	2220	2220	2220	2220	2220		
1A	232+00	-	244+76	LT/RT	TEB1	WB	-	-	-	-	-	-	-	-	-	-	-	-	-	STAGING TEMPORARY WIDENING	
1A	244+82	-	245+04	LT	TEB2	WB	-	-	-	-	-	-	-	-	-	-	-	-	-	REMOVE PORK CHOP ISLAND	
1A	46+49	-	56+16	LT/RT	TRR	WB	140	950	950	950	950	-	-	-	-	-	-	-	-	STAGING TEMPORARY WIDENING	
1A	245+57	-	247+50	LT	TEB1	WB	45	79	86	79	79	-	-	-	-	-	-	-	-	STAGING TEMPORARY WIDENING	
1A	245+68	-	251+15	LT/RT	TEB1	WB	-	270	510	270	270	-	-	-	-	-	-	-	-	REMOVE MEDIAN ISLAND	
1A-LNW1	9+03	-	9+23	RT	LWS	WB	-	-	-	-	-	-	-	-	-	-	-	-	-	AFTER INSTALLING PIPE RUN	
1A-LNW1	168+54	-	169+05	LT	WB	WB	-	-	-	-	-	-	-	-	-	-	-	-	-	AFTER INSTALLING PIPE RUN	
1A-LNW2	165+99	-	168+64	RT	WB	WB	-	-	-	-	-	-	-	-	-	-	-	-	-		
1A-LNW2	167+26	-	167+59	RT	WB	WB	-	12	23	12	12	-	-	-	-	-	-	-	-		
1B	263+47	-	267+38	LT	TEB1	WB	-	-	-	-	-	-	-	-	-	-	-	-	-	SPLITTER ISLAND MEDIAN	
1C	52+98	-	55+04	LT	RNB	WB	-	-	-	-	-	-	-	-	-	-	-	-	-	ISLAND MEDIAN	
1C	244+41	-	245+14	LT	TEB1	WB	-	-	-	-	-	-	-	-	-	-	-	-	-		
1C	159+65	-	160+65	LT	WB	WB	-	-	-	-	-	-	-	-	-	-	-	-	-		
1C	174+49	-	175+00	RT	WB	WB	13	130	230	130	130	-	-	-	-	-	-	-	-	ROUNDABOUT TEMPORARY PAVEMENT	
1D-MED	186+20	-	188+42	LT	WB	WB	-	-	-	-	-	-	-	-	-	-	-	-	-		
1D-MED	188+14	-	194+68	LT/RT	WB	WB	-	570	1090	570	570	-	-	-	-	-	-	-	-	INCLUDES MATERIAL FOR ASPHALTIC CURB TEMP.	
1D	231+38	-	244+22	RT	TEB2	WB	91	710	1350	710	710	-	-	-	-	-	-	-	-	STAGING TEMPORARY WIDENING	
1D	244+16	-	245+46	LT/RT	TEB2	WB	23	38	89	38	38	-	-	-	-	-	-	-	-	ROUNDABOUT TEMPORARY PAVEMENT	
1D	245+60	-	251+12	LT	TEB2	WB	-	-	-	-	-	-	-	-	-	-	-	-	-	STAGING TEMPORARY WIDENING	
1D	246+14	-	249+20	RT	TEB2	WB	22	65	120	65	65	-	-	-	-	-	-	-	-	STAGING TEMPORARY WIDENING	
1E	292+00	-	294+63	LT/RT	TEB2	WB	45	130	179	130	130	-	-	-	-	-	-	-	-	TEMPORARY SINGLE LANE MEDIAN CROSSOVER	
2A	147+65	-	151+49	LT/RT	TEB3	WB	61	180	264	180	180	-	-	-	-	-	-	-	-	TEMPORARY SINGLE LANE MEDIAN CROSSOVER	
2B-RAB	131+25	-	139+73	RT	EB	WB	-	-	-	-	-	850	-	-	-	-	-	-	-	AFTER REMOVING TEMPORARY EB WIDENING	
PROJECT LIMITS																					
UNDISTRIBUTED							70	426	570	426	426	-	-	-	-	-	-	-	-	-	941
CATEGORY 0010 SUBTOTAL							870	5000	6731	5000	5000	0	850	25	3816	11050					
0050																					
1A	256+70	-	260+97	LT/RT	TEB1	WB	83	250	364	250	250	-	-	-	-	-	-	-	-	TEMPORARY 2-WAY MEDIAN CROSSOVER	
1A	268+59	-	278+39	LT/RT	TEB1	WB	36	370	656	370	366	-	-	-	-	-	-	-	-	TEMPORARY 2-WAY MEDIAN CROSSOVER	
1E	257+26	-	260+88	LT/RT	TEB2	WB	86	210	282	210	210	-	-	-	-	-	-	-	-	TEMPORARY SINGLE LANE MEDIAN CROSSOVER	
1E	272+64	-	275+76	LT/RT	TEB2	WB	58	220	332	220	220	-	-	-	-	-	-	-	-	TEMPORARY SINGLE LANE MEDIAN CROSSOVER	
UNDISTRIBUTED							27	110	166	110	45	-	-	-	-	-	-	-	-	-	318
CATEGORY 0050 SUBTOTAL							290	1160	1800	1160	540	0	0	0	240	3496					
PROJECT TOTAL							1160	6160	8531	6160	540	850	25	4056	14546						

*ADDITIONAL QUANTITIES LISTED ELSEWHERE

PROJECT NO: 5290-00-72

HWY: STH 19

COUNTY: DANE

MISCELLANEOUS QUANTITIES

SHEET NO: 233

E

3

Addendum No. 01
ID 5290-00-72
Revised Sheet 237
July 25, 2019

SIDEWALKS AND CURB RAMPS

CAT	STA	TO	STA	OFFSET	ALIGN	LOCATION	305.0120*	371.1000.S*	465.0105	602.0405	602.0515	602.0615	650.9000
							BASE AGGREGATE DENSE 1 1/4 - INCH TON	QMP BASE AGGREGATE DENSE 1 1/4 - INCH TON	ASPHALTIC SURFACE TON	CONCRETE SIDEWALK 4-INCH SF	CURB RAMP DETECTABLE WARNING FIELD NATURAL PATINA SF	CURB RAMP DETECTABLE WARNING RADIAL FIELD NATURAL PATINA SF	CONSTRUCTION STAKING CURB RAMPS EACH
0010	143+78	-	143+88	RT	WB	MEDIAN ISLAND CURB RAMP	16	16	-	426	40	-	2
	143+88	-	144+13	RT	WB	MEDIAN ISLAND	30	30	-	797	-	-	-
	53+05	-	54+73	LT	RSB	MEDIAN ISLAND	86	86	-	2318	-	-	-
	54+72	-	54+82	RT	RSB	MEDIAN ISLAND CURB RAMP	10	10	-	266	40	-	2
	54+82	-	54+98	LT	RNB	MEDIAN ISLAND	18	18	-	489	-	-	-
	54+10	-	54+62	LT	SES	SPLITTER ISLAND	31	31	-	831	-	-	-
	54+62	-	54+72	LT	SES	SPLITTER ISLAND CURB RAMP	8	8	-	227	40	-	2
	54+72	-	55+15	LT	SES	SPLITTER ISLAND	27	27	-	734	-	-	-
	56+85	-	57+28	RT	SNW	SPLITTER ISLAND	27	27	-	732	-	-	-
	57+28	-	57+38	RT	SNW	SPLITTER ISLAND CURB RAMP	8	8	-	227	40	-	2
	57+38	-	57+90	RT	SNW	SPLITTER ISLAND	31	31	-	831	-	-	-
	57+00	-	57+20	LT	RNE	MEDIAN ISLAND	19	19	-	518	-	-	-
	57+20	-	57+30	LT	RNE	MEDIAN ISLAND CURB RAMP	10	10	-	262	40	-	2
	57+30	-	59+41	LT	RNE	MEDIAN ISLAND	100	100	-	2735	-	-	-
	143+56	-	143+75	LT	EB	MEDIAN	15	15	-	399	-	-	-
	145+90	-	146+19	LT	EB	MEDIAN	33	33	-	901	-	-	-
	146+19	-	146+29	LT	EB	MEDIAN CURB RAMP	17	17	-	469	40	-	2
	146+28	-	146+41	LT	EB	MEDIAN	17	17	-	471	-	-	-
	163+75	-	167+36	LT	EB	SPLITTER ISLAND	56	56	-	1509	-	-	-
	7+65	-	9+61	RT	LWS	CURB RAMP	43	43	-	1152	20	-	1
	168+49	-	168+70	RT	WB	SPLITTER ISLAND MEDIAN	1	1	-	22	-	-	-
	168+70	-	168+80	RT	WB	SPLITTER ISLAND CURB RAMP	4	4	-	120	40	-	2
	168+80	-	172+31	RT	WB	SPLITTER ISLAND MEDIAN	160	160	-	4201	-	-	-
	8+85	-	9+47	LT	LES	CURB RAMP	12	12	-	337	20	-	1
						CATEGORY 0010 SUBTOTAL	780	780	0	20974	320	0	16
0050	162+28	-	167+29	LT	EB	MEDIAN	100	100	-	2711	-	-	-
	302+54	-	304+12	RT	TC	CURB RAMP	36	36	-	1003	-	54	2
	302+62	-	302+65	RT	TCS	MEDIAN	0.4	0	-	11	-	-	-
	302+65	-	302+75	RT	TCS	MEDIAN	2	2	-	53	-	-	-
	302+65	-	304+37	LT	TCS	CURB RAMP	8	8	-	207	-	25	1
	302+75	-	304+37	LT	TCS	SIDEWALK	99	99	25	-	-	-	-
	302+75	-	304+07	RT	TCS	MEDIAN	34	34	-	911	-	-	-
	168+87	-	173+70	RT	WB	MEDIAN	99	99	-	2640	-	-	-
	10+40	-	10+75	LT	CW	MEDIAN ISLAND	12	12	-	312	-	-	-
						CATEGORY 0050 SUBTOTAL	390	390	25	7848	0	79	3
						PROJECT TOTAL	1170	1170	25	28822	320	79	19

*ADDITIONAL QUANTITIES LISTED ELSEWHERE

PROJECT NO: 5290-00-72

HWY: STH 19

COUNTY: DANE

MISCELLANEOUS QUANTITIES

SHEET NO: 237

LANDMARK REFERENCE MONUMENTS

CAT	DESCRIPTION	SPV.0060.02		SPV.0060.03	
		LANDMARK REFERENCE MONUMENTS SPECIAL	LANDMARK REFERENCE MONUMENTS	VERIFY LANDMARK REFERENCE MONUMENTS	VERIFY LANDMARK REFERENCE MONUMENTS
		EACH	EACH	EACH	EACH
0010	M.C. SECTION 31/6 T9N R10E, T8N R10E	1	1	4	4
	SECTION 6 T8N R10E	1	1	4	4
	SECTION 31 T9N R10E	1	1	4	4
	CATEGORY 0010 SUBTOTAL	3	3	12	12
	PROJECT TOTAL	3	3	12	12

Addendum No. 01
ID 5290-00-72
Revised Sheet 266
July 25, 2019

YAHARA RIVER ACCESS ROAD AND WALKING PATH

CAT	STA	TO	STA	ALIGN	LOCATION	305.0120*		371.1000.S*		645.0140*		SPV.0105.01		SPV.0105.02		SPV.0105.03		SPV.0105.04	
						BASE AGGREGATE DENSE 1.1/4-INCH TON	OMP BASE 1.1/4-INCH TON	AGGREGATE DENSE 1.1/4-INCH COMPACTION TON	GEOTEXTILE FABRIC TYPE SAS SY	WALKING PATH LS	CANOE & KAYAK LAUNCH LS	INSTALLING FURNISHED DANE COUNTY PARK KIOSK LS	INSTALLING FURNISHED DANE COUNTY PARK SIGN LS						
	154+83	-	156+58	YA	WALKING PATH	1230	1230	140	1	1	-	1	1	1	1	1	1	1	1
	154+83	YA			CANOE & KAYAK LAUNCH	50	50	5	-	-	1	1	-	-	-	-	-	-	-
					CATEGORY 0010 SUBTOTAL	1280	1280	145	1	1	1	1	1	1	1	1	1	1	1
					PROJECT TOTAL	1280	1280	145	1	1	1	1	1	1	1	1	1	1	1

*ADDITIONAL QUANTITIES LISTED ELSEWHERE

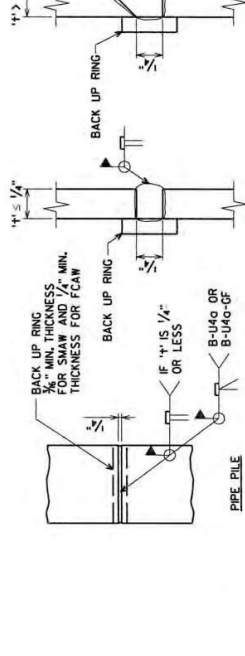
TOTAL ESTIMATED QUANTITIES

BID ITEM NUMBER	BID ITEMS	UNIT	W. STR. APR. SLAB	W. ABUT.	E. ABUT.	E. STR. APR. SLAB	SUPER.	TOTAL
206-1000	EXCAVATION FOR STRUCTURES BRIDGES B-13-794	LS						1
500-1000	BAR STEEL REINFORCEMENT TYPE A	TON	180	180	180	185		360
502-0100	BASE AGGREGATE DENSE 1 1/2" INCH	TON	185	55	55	60	182	310
502-0160	CONCRETE MASONRY BRICK 7 1/2" INCH	CY	60	20	20	20	40	60
502-3200	PROTECTIVE SURFACE TREATMENT	SY	20	20	20	20	90	330
502-3210	PIGMENTED SURFACE SEALER	SY	20	20	20	20	90	330
503-0140	PRESTRESSED CONCRETE TYPE I 48W-INCH	LF					430	430
505-0400	BAR STEEL REINFORCEMENT HS STRUCTURES	LB	3,190	3,170	3,170	28,490		53,120
505-0800	BAR STEEL REINFORCEMENT HS COATED STRUCTURES	LB	10,450	1,980	1,740	10,450	28,490	53,120
505-0800.S	BAR STEEL REINFORCEMENT HS STAINLESS STRUCTURES	LB	130			730		1,460
506-4000	STEEL DIAPHRAGMS B-13-794	EACH	5	5	5			10
516-0500	RUBBERIZED MEMBRANE WATERPROOFING	SY					8	8
550-0500	PTLE POINTS	EACH	12	12	12			24
606-0208	PTILING CIP CONCRETE 10 1/4" X 0.50" INCH	LF	520	13	13			26
606-0406	RTPRAP HEAVY	CY	240	455	455			975
614-0406	RTPRAP HEAVY	CY	240	250	250			490
645-0111	ANCHOR ASSEMBLIES FOR STEEL PLATE BEAM GUARD	EACH	2	95	95	2		190
645-0111	ANCHOR ASSEMBLIES FOR STEEL PLATE BEAM GUARD	EACH	2	2	2	2		4
645-0120	GEOTEXTILE TYPE HR	SY	40	40	40			80
645-0120	GEOTEXTILE TYPE HR	SY	430	450	450			880
	NON-BID ITEMS	SIZE						1/2" & 3/4"
	FILLER							

● PILING TO BE ASTM A252 (GRADE 3) WITH A $f_y = 45,000$ psi.

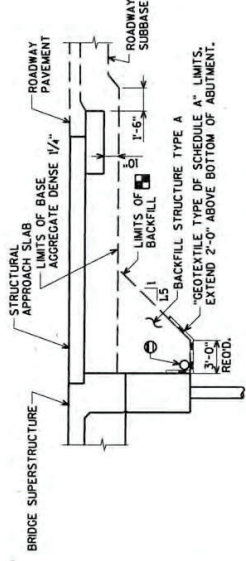
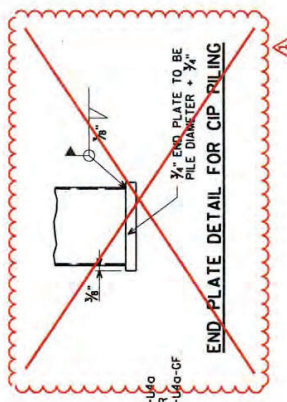
GENERAL NOTES

DRAWINGS SHALL NOT BE SCALED.
 BAR STEEL REINFORCEMENT SHALL BE EMBEDDED 2" CLEAR
 UNLESS OTHERWISE NOTED.
 THE FIRST DIGIT OF THREE DIGIT BAR NO. AND THE FIRST
 TWO DIGITS OF A FOUR DIGIT BAR NO. SIGNIFIES THE BAR SIZE.
 JOINT FILLER SHALL CONFORM TO THE REQUIREMENTS OF
 A.A.S.H.O. DESIGNATION M 153, TYPE I, II OR III OR
 A.A.S.H.O. DESIGNATION M 213, TYPE I, II OR III OR
 THE SUPERIOR FILLER. THE JOINT FILLER SHALL BE
 COVERED WITH RTPRAP HEAVY AND GEOTEXTILE TYPE HR TO THE EXTENT
 SHOWN ON THE GENERAL PLAN SHEET AND IN THE ABUTMENT DETAILS.
 THE UPPER LIMITS OF "EXCAVATION FOR STRUCTURES BRIDGES
 B-13-794" SHALL BE THE EXISTING GROUNDLINE.
 AT BACKFACE OF ABUTMENTS ALL VOLUME WHICH CANNOT BE
 PLACED BEFORE ABUTMENT CONSTRUCTION AND IS NOT OCCUPIED
 BY STRUCTURE SHALL BE BACKFILLED WITH BACKFILL
 STRUCTURE TYPE A.
 IS TO BE APPLIED AS SHOWN IN DETAIL ON SHEET 2.
 THE BACKFILL QUANTITIES ARE BASED ON THE PAY LIMITS SHOWN ON
 THE PLANS AND MAY NOT REFLECT ACTUAL PLACED QUANTITIES.
 "BACKFILL STRUCTURE TYPE A" REQUIRED DIRECTLY BEHIND ABUTMENTS
 OR EXCEEDING PLAN QUANTITIES SHALL BE INCIDENTAL TO EXCAVATION
 FOR STRUCTURES.
 EXCAVATION BELOW THE ABUTMENT AND ABUTMENT BEDDING MATERIALS
 REQUIRES ENGINEER APPROVAL. GEOTEXTILE SHALL BE SET AT THE BOTTOM
 OF EXCAVATION AND EXTEND 2'-0" ABOVE BOTTOM OF ABUTMENT.
 ELASTOMERIC BEARING PADS NEED NOT BE INDIVIDUALLY MOILED
 PROVIDED THE JOINT CONCRETE QUANTITY IS BASED ON THE AVERAGE HAUNCH
 SHOWN ON THE PRESTRESSED ORDER DETAILS SHEET.
 BEVEL EXPOSED EDGES OF CONCRETE 1/4" UNLESS OTHERWISE NOTED.



PILE SPICE DETAIL
 CAST-IN-PLACE PILE SHELL MATERIAL SHALL BE
 IN ACCORDANCE WITH THE STANDARD SPECIFICATIONS.

CIP PILE WELD DETAIL



BACKFILL STRUCTURE LIMITS

BACKFILL PAY LIMITS, BACKFILL BEYOND BACKFILL PAY LIMITS
 SHALL BE INCIDENTAL TO EXCAVATION FOR STRUCTURES. LIMITS
 OF EXCAVATION SHALL BE DETERMINED BY THE CONTRACTOR.
 PIPE UNDERDRAIN WRAPPED 6-INCH, SLOPE 0.5%
 MIN. TO SUITABLE DRAINAGE. ATTACH ROBERT
 SHEETS AT ENDS OF PIPE UNDERDRAIN AS DETAILED
 ON SHEET 3.

Addendum No. 01
 ID 5290-00-72
 Revised Sheet 514
 July 25, 2019



William C. Decker
 07/23/19

REV. DATE	REVISION
7/19	REMOVE END PLATE DETAIL
BY	AVRES
STATE OF WISCONSIN DEPARTMENT OF TRANSPORTATION	
DESIGNED BY	PLANS CDM
DRAWN BY	CLB
STRUCTURE B-13-794	
SHEET 3 OF 26	

QUANTITIES AND NOTES

OFFICIAL PLANS PREPARED BY
 343 Oakwood Hills Parkway
 Eau Claire, WI 54601
 www.avresassociates.com



TOTAL ESTIMATED QUANTITIES

BID ITEM NUMBER	BID ITEMS	UNIT	W. STR. APR. SLAB	W. ABUT.	E. ABUT.	E. STR. APR. SLAB	SUPER.	TOTAL
203.0600.S	REMOVING OLD STRUCTURE OVER WATERWAY WITH MINIMAL DEBRIS STATION 155+11WB	LS	-----	-----	-----	-----	-----	1
206.1000	EXCAVATION FOR STRUCTURES BRIDGES B-13-795	LS	-----	-----	-----	-----	-----	1
210.1500	BACKFILL STRUCTURE TYPE A	TON	180	180	180	185	360	360
305.0120	BASE AGGREGATE DENSE 1 1/2" INCH	CY	60	53	53	60	182	410
502.0100	CONCRETE MASONRY BRIDGES	SY	20	20	20	20	420	600
502.3200	PROTECTIVE SURFACE TREATMENT	SY	20	20	20	20	90	130
502.3210	PTMENTED SURFACE SEALER	LF	-----	-----	-----	-----	430	430
503.0146	PRESTRESSED ORDER TYPE 1 45W-INCH	LB	-----	3,390	3,170	-----	-----	6,560
505.0400	BAR STEEL REINFORCEMENT HS STRUCTURES	LB	-----	1,990	1,740	10,450	28,490	53,120
505.0600	BAR STEEL REINFORCEMENT HS COATED STRUCTURES	LB	730	-----	-----	730	-----	1,460
505.0800.S	BAR STEEL REINFORCEMENT HS STAINLESS STRUCTURES	EACH	-----	5	5	-----	-----	10
506.2605	BEARING PADS ELASTOMERIC NON-LAMINATED	EACH	-----	-----	-----	-----	8	8
506.4000	STEEL DIAPHRAGMS B-13-795	SY	-----	-----	-----	-----	-----	430
516.0500	RUBBERIZED MEMBRANE WATERPROOFING	SY	-----	12	12	-----	-----	24
550.0500	PILE POINTS	EACH	-----	13	13	-----	-----	26
550.2108	PIILING CIP CONCRETE 10 1/2" X 0.50' INCH	LF	-----	520	520	-----	-----	1,040
606.0300	RIPRAP HEAVY	CY	-----	235	245	-----	-----	480
612.0406	PIPE UNDERDRAIN WRAPPED 6" INCH	LF	-----	95	95	-----	-----	190
614.0150	ANCHOR ASSEMBLIES FOR STEEL PLATE BEAM GUARD	EACH	2	-----	-----	2	-----	4
645.0111	GEOTEXTILE TYPE OF SCHEDULE A	SY	-----	40	40	-----	-----	80
645.0120	GEOTEXTILE TYPE HR	SY	-----	425	435	-----	-----	860
	NON-BID ITEMS	SIZE	-----	-----	-----	-----	-----	1/2" & 3/4"
	FILLER	-----	-----	-----	-----	-----	-----	-----

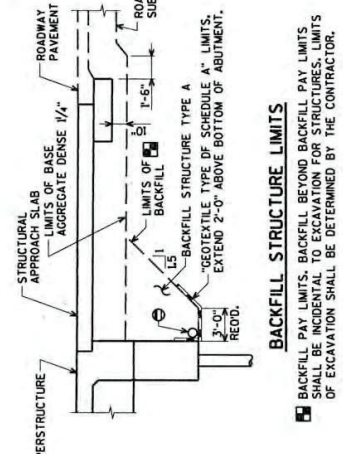
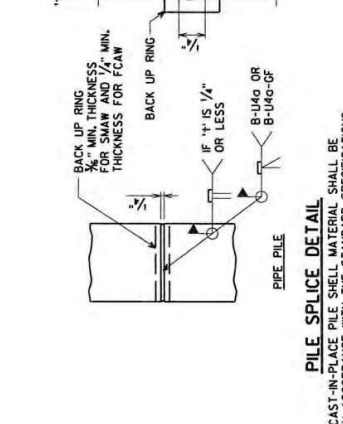
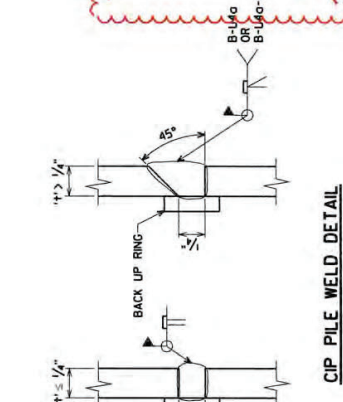
● PILING TO BE ASTM A362 (GRADE 3) WITH A Fy = 45,000 p.s.i.

GENERAL NOTES

DRAWINGS SHALL NOT BE SCALED.
 BAR STEEL REINFORCEMENT SHALL BE EMBEDDED 2" CLEAR UNLESS OTHERWISE NOTED.
 THE FIRST DIGIT OF THREE DIGIT BAR NO. AND THE FIRST TWO DIGITS OF A FOUR DIGIT BAR NO. SIGNIFIES THE BAR SIZE.
 JOINT FILLER SHALL CONFORM TO THE REQUIREMENTS OF A.A.S.H.O. DESIGNATION M 153, TYPE I, II OR III OR A.A.S.H.O. DESIGNATION M 213, FRONT OF THE ABUTMENTS SHALL BE COVERED WITH RIPRAP HEAVY AND GEOTEXTILE TYPE HR TO THE EXTENT SHOWN ON THE GENERAL PLAN SHEET AND IN THE ABUTMENT DETAILS.
 THE UPPER LIMITS OF EXCAVATION FOR STRUCTURES BRIDGES B-13-795 SHALL BE THE EXISTING GROUNDLINE.
 EXISTING BRIDGE B-13-861 IS A TWO-SPAN CONCRETE HAUNCH SLAB BRIDGE WITH AN OVERALL LENGTH OF 77'-8" AND A CLEAR SPAN OF 40'-0". EXISTING BRIDGE IS TO BE REMOVED BEFORE CONSTRUCTING B-13-795.
 AT BACKFACE OF ABUTMENTS ALL VOLUME WHICH CANNOT BE PLACED BEFORE ABUTMENT CONSTRUCTION AND IS NOT OCCUPIED BY THE NEW STRUCTURE SHALL BE BACKFILLED WITH BACKFILL STRUCTURE TYPE A.
 PROTECTIVE SURFACE TREATMENT AND PREVENTED SURFACE SEALER IS TO BE APPLIED TO EXPOSED SURFACES.
 THE BACKFILL QUANTITIES ARE BASED ON THE PAY LIMITS SHOWN ON THE PLANS AND MAY NOT REFLECT ACTUAL PLACED QUANTITIES.
 "BACKFILL STRUCTURE TYPE A" REQUIRED DIRECTLY BEHIND ABUTMENTS AND ABUTMENT WINGS FOR 3 FEET. BACKFILL PLACED BEYOND PAY LIMITS OR EXCEEDING PLAN QUANTITIES SHALL BE INCIDENTAL TO EXCAVATION FOR STRUCTURES.
 BELOW THE ABUTMENT AND ABUTMENT BEDDING MATERIALS REQUIRES ENGINEER APPROVAL. GEOTEXTILE SHALL BE SET AT THE BOTTOM OF EXCAVATION AND EXTEND 2'-0" ABOVE BOTTOM OF ABUTMENT.
 ELASTOMERIC BEARING PADS NEED NOT BE INDIVIDUALLY MOLDED PROVIDED THE CUT EDGES ARE SMOOTH AND TRUE.
 THE HAUNCH CONCRETE QUANTITY IS BASED ON THE AVERAGE HAUNCH SHOWN ON THE PRESTRESSED ORDER DETAILS SHEET.
 BEVEL EXPOSED EDGES OF CONCRETE 3/4" UNLESS OTHERWISE NOTED.

GENERAL NOTES

DRAWINGS SHALL NOT BE SCALED.
 BAR STEEL REINFORCEMENT SHALL BE EMBEDDED 2" CLEAR UNLESS OTHERWISE NOTED.
 THE FIRST DIGIT OF THREE DIGIT BAR NO. AND THE FIRST TWO DIGITS OF A FOUR DIGIT BAR NO. SIGNIFIES THE BAR SIZE.
 JOINT FILLER SHALL CONFORM TO THE REQUIREMENTS OF A.A.S.H.O. DESIGNATION M 153, TYPE I, II OR III OR A.A.S.H.O. DESIGNATION M 213, FRONT OF THE ABUTMENTS SHALL BE COVERED WITH RIPRAP HEAVY AND GEOTEXTILE TYPE HR TO THE EXTENT SHOWN ON THE GENERAL PLAN SHEET AND IN THE ABUTMENT DETAILS.
 THE UPPER LIMITS OF EXCAVATION FOR STRUCTURES BRIDGES B-13-795 SHALL BE THE EXISTING GROUNDLINE.
 EXISTING BRIDGE B-13-861 IS A TWO-SPAN CONCRETE HAUNCH SLAB BRIDGE WITH AN OVERALL LENGTH OF 77'-8" AND A CLEAR SPAN OF 40'-0". EXISTING BRIDGE IS TO BE REMOVED BEFORE CONSTRUCTING B-13-795.
 AT BACKFACE OF ABUTMENTS ALL VOLUME WHICH CANNOT BE PLACED BEFORE ABUTMENT CONSTRUCTION AND IS NOT OCCUPIED BY THE NEW STRUCTURE SHALL BE BACKFILLED WITH BACKFILL STRUCTURE TYPE A.
 PROTECTIVE SURFACE TREATMENT AND PREVENTED SURFACE SEALER IS TO BE APPLIED TO EXPOSED SURFACES.
 THE BACKFILL QUANTITIES ARE BASED ON THE PAY LIMITS SHOWN ON THE PLANS AND MAY NOT REFLECT ACTUAL PLACED QUANTITIES.
 "BACKFILL STRUCTURE TYPE A" REQUIRED DIRECTLY BEHIND ABUTMENTS AND ABUTMENT WINGS FOR 3 FEET. BACKFILL PLACED BEYOND PAY LIMITS OR EXCEEDING PLAN QUANTITIES SHALL BE INCIDENTAL TO EXCAVATION FOR STRUCTURES.
 BELOW THE ABUTMENT AND ABUTMENT BEDDING MATERIALS REQUIRES ENGINEER APPROVAL. GEOTEXTILE SHALL BE SET AT THE BOTTOM OF EXCAVATION AND EXTEND 2'-0" ABOVE BOTTOM OF ABUTMENT.
 ELASTOMERIC BEARING PADS NEED NOT BE INDIVIDUALLY MOLDED PROVIDED THE CUT EDGES ARE SMOOTH AND TRUE.
 THE HAUNCH CONCRETE QUANTITY IS BASED ON THE AVERAGE HAUNCH SHOWN ON THE PRESTRESSED ORDER DETAILS SHEET.
 BEVEL EXPOSED EDGES OF CONCRETE 3/4" UNLESS OTHERWISE NOTED.



BACKFILL STRUCTURE LIMITS
 BACKFILL PAY LIMITS. BACKFILL BEYOND BACKFILL PAY LIMITS SHALL BE INCIDENTAL TO EXCAVATION FOR STRUCTURES. LIMITS OF EXCAVATION SHALL BE DETERMINED BY THE CONTRACTOR.
 PIPE UNDERDRAIN WRAPPED 6-INCH, SLOPE 0.5% MIN. TO SUITABLE DRAINAGE. ATTACH ROBERT SHIELD AT ENDS OF PIPE UNDERDRAIN AS DETAILED ON SHEET 5.

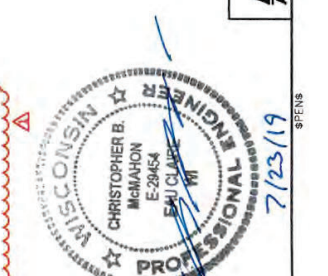
PILE SPLICE DETAIL
 CAST-IN-PLACE PILE SHELL MATERIAL SHALL BE IN ACCORDANCE WITH THE STANDARD SPECIFICATIONS.

CIP PILE WELD DETAIL

END-PLATE DETAIL FOR CIP PILING
 1/2" END PLATE TO BE PILE DIAMETER + 1/4"

ADDENDUM NO. 01
 ID 5290-00-72
 Revised Sheet 540
 July 25, 2019

William C. Decker
 07/23/19



7/23/19

QUANTITIES AND NOTES
 SHEET 3 OF 26
 540

STRUCTURE B-13-795

STATE OF WISCONSIN
 DEPARTMENT OF TRANSPORTATION

REMOVE END PLATE DETAIL
 INCL. DATE REVISION BY

AVRES ASSOCIATES
 443 Oakwood Hills Parkway
 Oakwood, WI 53051
 www.avresassociates.com



Proposal Schedule of Items

Proposal ID: 20190813003 Project(s): 5290-00-72

Federal ID(s): WISC 2019576

SECTION: 0001

Contract Items

Alt Set ID:

Alt Mbr ID:

Proposal Line Number	Item ID Description	Approximate Quantity and Units	Unit Price	Bid Amount
0062	209.2500 Backfill Granular Grade 2	10,600.000 TON	_____.	_____.
0064	210.1500 Backfill Structure Type A	720.000 TON	_____.	_____.
0066	213.0100 Finishing Roadway (project) 01. 5290-00-72	1.000 EACH	_____.	_____.
0068	305.0110 Base Aggregate Dense 3/4-Inch	3,470.000 TON	_____.	_____.
0070	305.0120 Base Aggregate Dense 1 1/4-Inch	50,880.000 TON	_____.	_____.
0072	312.0110 Select Crushed Material	57,027.000 TON	_____.	_____.
0076	405.0100 Coloring Concrete WisDOT Red	152.000 CY	_____.	_____.
0078	415.0085 Concrete Pavement 8 1/2-Inch	40,169.000 SY	_____.	_____.
0080	415.0210 Concrete Pavement Gaps	2.000 EACH	_____.	_____.
0082	415.0410 Concrete Pavement Approach Slab	296.000 SY	_____.	_____.
0084	415.1085 Concrete Pavement HES 8 1/2-Inch	2,406.000 SY	_____.	_____.
0086	416.0160 Concrete Driveway 6-Inch	37.000 SY	_____.	_____.
0088	416.0512 Concrete Truck Apron 12-Inch	457.000 SY	_____.	_____.
0090	416.0610 Drilled Tie Bars	45.000 EACH	_____.	_____.
0092	416.0620 Drilled Dowel Bars	32.000 EACH	_____.	_____.
0094	416.1010 Concrete Surface Drains	7.000 CY	_____.	_____.



Proposal Schedule of Items

Proposal ID: 20190813003 Project(s): 5290-00-72

Federal ID(s): WISC 2019576

SECTION: 0001

Contract Items

Alt Set ID:

Alt Mbr ID:

Proposal Line Number	Item ID Description	Approximate Quantity and Units	Unit Price	Bid Amount
0096	416.1110 Concrete Shoulder Rumble Strips	1,152.000 LF	_____.	_____.
0098	450.1100.S Asphaltic Mixture For Extreme Conditions	540.000 TON	_____.	_____.
0100	450.4000 HMA Cold Weather Paving	1,757.000 TON	_____.	_____.
0102	455.0605 Tack Coat	698.000 GAL	_____.	_____.
0104	460.2000 Incentive Density HMA Pavement	3,630.000 DOL	1.00000	3,630.00
0106	460.4110.S Reheating HMA Pavement Longitudinal Joints	850.000 LF	_____.	_____.
0108	460.5223 HMA Pavement 3 LT 58-28 S	95.000 TON	_____.	_____.
0110	460.5224 HMA Pavement 4 LT 58-28 S	2,393.000 TON	_____.	_____.
0112	460.6223 HMA Pavement 3 MT 58-28 S	165.000 TON	_____.	_____.
0114	460.6224 HMA Pavement 4 MT 58-28 S	1,249.000 TON	_____.	_____.
0116	465.0105 Asphaltic Surface	25.000 TON	_____.	_____.
0118	465.0110 Asphaltic Surface Patching	25.000 TON	_____.	_____.
0120	465.0120 Asphaltic Surface Driveways and Field Entrances	23.000 TON	_____.	_____.
0122	465.0125 Asphaltic Surface Temporary	4,056.000 TON	_____.	_____.
0124	465.0315 Asphaltic Flumes	217.000 SY	_____.	_____.
0126	465.0400 Asphaltic Shoulder Rumble Strips	3,739.000 LF	_____.	_____.



Proposal Schedule of Items

Proposal ID: 20190813003 Project(s): 5290-00-72

Federal ID(s): WISC 2019576

SECTION: 0001

Contract Items

Alt Set ID:

Alt Mbr ID:

Proposal Line Number	Item ID Description	Approximate Quantity and Units	Unit Price	Bid Amount
0128	465.0425 Asphaltic Shoulder Rumble Strips 2-Lane Rural	351.000 LF	_____.	_____.
0130	465.0475 Asphalt Centerline Rumble Strips 2-Lane Rural	351.000 LF	_____.	_____.
0132	502.0100 Concrete Masonry Bridges	820.000 CY	_____.	_____.
0134	502.3200 Protective Surface Treatment	1,200.000 SY	_____.	_____.
0136	502.3210 Pigmented Surface Sealer	260.000 SY	_____.	_____.
0138	503.0146 Prestressed Girder Type I 45W-Inch	860.000 LF	_____.	_____.
0140	505.0400 Bar Steel Reinforcement HS Structures	13,120.000 LB	_____.	_____.
0142	505.0600 Bar Steel Reinforcement HS Coated Structures	106,240.000 LB	_____.	_____.
0144	505.0800.S Bar Steel Reinforcement HS Stainless Structures	2,920.000 LB	_____.	_____.
0146	506.2605 Bearing Pads Elastomeric Non-Laminated	20.000 EACH	_____.	_____.
0148	506.4000 Steel Diaphragms (structure) 01. B-13-0794	8.000 EACH	_____.	_____.
0150	506.4000 Steel Diaphragms (structure) 02. B-13-0795	8.000 EACH	_____.	_____.
0152	511.1300 Temporary Shoring (location) Marsh Excavation	1,450.000 SF	_____.	_____.
0154	516.0500 Rubberized Membrane Waterproofing	48.000 SY	_____.	_____.
0156	520.1015 Apron Endwalls for Culvert Pipe 15-Inch	2.000 EACH	_____.	_____.



Proposal Schedule of Items

Proposal ID: 20190813003 Project(s): 5290-00-72

Federal ID(s): WISC 2019576

SECTION: 0001

Contract Items

Alt Set ID:

Alt Mbr ID:

Proposal Line Number	Item ID Description	Approximate Quantity and Units	Unit Price	Bid Amount
0158	520.1018 Apron Endwalls for Culvert Pipe 18-Inch	8.000 EACH	_____.	_____.
0160	520.2012 Culvert Pipe Temporary 12-Inch	78.000 LF	_____.	_____.
0162	520.2018 Culvert Pipe Temporary 18-Inch	952.000 LF	_____.	_____.
0164	520.2042 Culvert Pipe Temporary 42-Inch	158.000 LF	_____.	_____.
0166	520.3315 Culvert Pipe Class III-A 15-Inch	27.000 LF	_____.	_____.
0168	520.3318 Culvert Pipe Class III-A 18-Inch	168.000 LF	_____.	_____.
0170	520.8000 Concrete Collars for Pipe	5.000 EACH	_____.	_____.
0172	520.8700 Cleaning Culvert Pipes	3.000 EACH	_____.	_____.
0174	521.1518 Apron Endwalls for Culvert Pipe Sloped Side Drains Steel 18-Inch 6 to 1	2.000 EACH	_____.	_____.
0176	521.2005.S Surface Drain Pipe Corrugated Metal Slotted (inch) 18-Inch	406.000 LF	_____.	_____.
0178	522.1012 Apron Endwalls for Culvert Pipe Reinforced Concrete 12-Inch	3.000 EACH	_____.	_____.
0180	522.1018 Apron Endwalls for Culvert Pipe Reinforced Concrete 18-Inch	8.000 EACH	_____.	_____.
0182	522.1024 Apron Endwalls for Culvert Pipe Reinforced Concrete 24-Inch	3.000 EACH	_____.	_____.
0184	522.1030 Apron Endwalls for Culvert Pipe Reinforced Concrete 30-Inch	5.000 EACH	_____.	_____.
0186	522.1042 Apron Endwalls for Culvert Pipe Reinforced Concrete 42-Inch	1.000 EACH	_____.	_____.



Proposal Schedule of Items

Proposal ID: 20190813003 Project(s): 5290-00-72

Federal ID(s): WISC 2019576

SECTION: 0001

Contract Items

Alt Set ID:

Alt Mbr ID:

Proposal Line Number	Item ID Description	Approximate Quantity and Units	Unit Price	Bid Amount
0188	522.2324 Culvert Pipe Reinforced Concrete Horizontal Elliptical Class HE-III 24x38-Inch	122.000 LF	_____.	_____.
0190	522.2624 Apron Endwalls for Culvert Pipe Reinforced Concrete Horizontal Elliptical 24x38-Inch	4.000 EACH	_____.	_____.
0192	550.0500 Pile Points	52.000 EACH	_____.	_____.
0194	550.2108 Piling CIP Concrete 10 3/4 X 0.50-Inch	2,015.000 LF	_____.	_____.
0196	601.0115 Concrete Curb Type G	96.000 LF	_____.	_____.
0198	601.0405 Concrete Curb & Gutter 18-Inch Type A	333.000 LF	_____.	_____.
0200	601.0409 Concrete Curb & Gutter 30-Inch Type A	3,475.000 LF	_____.	_____.
0202	601.0411 Concrete Curb & Gutter 30-Inch Type D	637.000 LF	_____.	_____.
0204	601.0551 Concrete Curb & Gutter 4-Inch Sloped 36-Inch Type A	5,271.000 LF	_____.	_____.
0206	601.0553 Concrete Curb & Gutter 4-Inch Sloped 36-Inch Type D	1,237.000 LF	_____.	_____.
0208	601.0580 Concrete Curb & Gutter 4-Inch Sloped 36-Inch Type R	415.000 LF	_____.	_____.
0210	601.0586 Concrete Curb & Gutter 4-Inch Sloped 30-Inch Type TBTT	91.000 LF	_____.	_____.
0212	601.0600 Concrete Curb Pedestrian	391.000 LF	_____.	_____.
0214	602.0405 Concrete Sidewalk 4-Inch	28,822.000 SF	_____.	_____.



Proposal Schedule of Items

Proposal ID: 20190813003 Project(s): 5290-00-72

Federal ID(s): WISC 2019576

SECTION: 0001

Contract Items

Alt Set ID:

Alt Mbr ID:

Proposal Line Number	Item ID Description	Approximate Quantity and Units	Unit Price	Bid Amount
0216	602.0515 Curb Ramp Detectable Warning Field Natural Patina	320.000 SF	_____.	_____.
0218	602.0615 Curb Ramp Detectable Warning Field Radial Natural Patina	79.000 SF	_____.	_____.
0220	606.0100 Riprap Light	58.000 CY	_____.	_____.
0222	606.0200 Riprap Medium	14.000 CY	_____.	_____.
0224	606.0300 Riprap Heavy	970.000 CY	_____.	_____.
0226	608.0312 Storm Sewer Pipe Reinforced Concrete Class III 12-Inch	630.000 LF	_____.	_____.
0228	608.0318 Storm Sewer Pipe Reinforced Concrete Class III 18-Inch	719.000 LF	_____.	_____.
0230	608.0324 Storm Sewer Pipe Reinforced Concrete Class III 24-Inch	274.000 LF	_____.	_____.
0232	608.0330 Storm Sewer Pipe Reinforced Concrete Class III 30-Inch	482.000 LF	_____.	_____.
0234	608.0342 Storm Sewer Pipe Reinforced Concrete Class III 42-Inch	210.000 LF	_____.	_____.
0236	611.0430 Reconstructing Inlets	2.000 EACH	_____.	_____.
0238	611.0530 Manhole Covers Type J	5.000 EACH	_____.	_____.
0240	611.0624 Inlet Covers Type H	29.000 EACH	_____.	_____.
0242	611.0642 Inlet Covers Type MS	7.000 EACH	_____.	_____.
0244	611.0652 Inlet Covers Type T	2.000 EACH	_____.	_____.



Proposal Schedule of Items

Proposal ID: 20190813003 Project(s): 5290-00-72

Federal ID(s): WISC 2019576

SECTION: 0001

Contract Items

Alt Set ID:

Alt Mbr ID:

Proposal Line Number	Item ID Description	Approximate Quantity and Units	Unit Price	Bid Amount
0246	611.2006 Manholes 6-FT Diameter	4.000 EACH	_____.	_____.
0248	611.2008 Manholes 8-FT Diameter	2.000 EACH	_____.	_____.
0250	611.3225 Inlets 2x2.5-FT	2.000 EACH	_____.	_____.
0252	611.3230 Inlets 2x3-FT	28.000 EACH	_____.	_____.
0254	611.3901 Inlets Median 1 Grate	1.000 EACH	_____.	_____.
0256	611.3902 Inlets Median 2 Grate	3.000 EACH	_____.	_____.
0258	611.8120.S Cover Plates Temporary	16.000 EACH	_____.	_____.
0260	612.0106 Pipe Underdrain 6-Inch	8,299.000 LF	_____.	_____.
0262	612.0206 Pipe Underdrain Unperforated 6-Inch	223.000 LF	_____.	_____.
0264	612.0406 Pipe Underdrain Wrapped 6-Inch	380.000 LF	_____.	_____.
0266	614.0150 Anchor Assemblies for Steel Plate Beam Guard	8.000 EACH	_____.	_____.
0268	614.1200 MGS Guardrail Temporary Terminal EAT	1.000 EACH	_____.	_____.
0270	614.2300 MGS Guardrail 3	804.000 LF	_____.	_____.
0272	614.2500 MGS Thrie Beam Transition	203.000 LF	_____.	_____.
0274	614.2610 MGS Guardrail Terminal EAT	4.000 EACH	_____.	_____.
0276	614.2620 MGS Guardrail Terminal Type 2	2.000 EACH	_____.	_____.



Proposal Schedule of Items

Proposal ID: 20190813003 Project(s): 5290-00-72

Federal ID(s): WISC 2019576

SECTION: 0001

Contract Items

Alt Set ID:

Alt Mbr ID:

Proposal Line Number	Item ID Description	Approximate Quantity and Units	Unit Price	Bid Amount
0278	616.0700.S Fence Safety	80.000 LF	_____.	_____.
0280	618.0100 Maintenance And Repair of Haul Roads (project) 01. 5290-00-72	1.000 EACH	_____.	_____.
0282	619.1000 Mobilization	1.000 EACH	_____.	_____.
0284	620.0200 Concrete Median Blunt Nose	89.000 SF	_____.	_____.
0286	620.0300 Concrete Median Sloped Nose	491.000 SF	_____.	_____.
0288	623.0200 Dust Control Surface Treatment	78,120.000 SY	_____.	_____.
0290	624.0100 Water	435.000 MGAL	_____.	_____.
0292	625.0500 Salvaged Topsoil	138,470.000 SY	_____.	_____.
0294	627.0200 Mulching	142,500.000 SY	_____.	_____.
0296	628.1504 Silt Fence	3,920.000 LF	_____.	_____.
0298	628.1520 Silt Fence Maintenance	3,920.000 LF	_____.	_____.
0300	628.1905 Mobilizations Erosion Control	13.000 EACH	_____.	_____.
0302	628.1910 Mobilizations Emergency Erosion Control	13.000 EACH	_____.	_____.
0304	628.1920 Cleaning Sediment Basins	76.000 CY	_____.	_____.
0306	628.2004 Erosion Mat Class I Type B	29,270.000 SY	_____.	_____.
0308	628.2023 Erosion Mat Class II Type B	300.000 SY	_____.	_____.



Proposal Schedule of Items

Proposal ID: 20190813003 Project(s): 5290-00-72

Federal ID(s): WISC 2019576

SECTION: 0001

Contract Items

Alt Set ID:

Alt Mbr ID:

Proposal Line Number	Item ID Description	Approximate Quantity and Units	Unit Price	Bid Amount
0310	628.6005 Turbidity Barriers	500.000 SY	_____.	_____.
0312	628.6510 Soil Stabilizer Type B	7.000 ACRE	_____.	_____.
0314	628.7005 Inlet Protection Type A	35.000 EACH	_____.	_____.
0316	628.7015 Inlet Protection Type C	35.000 EACH	_____.	_____.
0318	628.7020 Inlet Protection Type D	37.000 EACH	_____.	_____.
0320	628.7504 Temporary Ditch Checks	2,400.000 LF	_____.	_____.
0322	628.7515.S Stone or Rock Ditch Checks	70.000 CY	_____.	_____.
0324	628.7555 Culvert Pipe Checks	60.000 EACH	_____.	_____.
0326	628.7560 Tracking Pads	12.000 EACH	_____.	_____.
0328	628.7570 Rock Bags	50.000 EACH	_____.	_____.
0330	629.0210 Fertilizer Type B	133.000 CWT	_____.	_____.
0332	630.0120 Seeding Mixture No. 20	3,630.000 LB	_____.	_____.
0334	630.0140 Seeding Mixture No. 40	600.000 LB	_____.	_____.
0336	630.0171 Seeding Mixture No. 70A	34.000 LB	_____.	_____.
0338	630.0200 Seeding Temporary	1,879.000 LB	_____.	_____.
0340	630.0300 Seeding Borrow Pit	910.000 LB	_____.	_____.
0342	631.0300 Sod Water	45.000 MGAL	_____.	_____.



Proposal Schedule of Items

Proposal ID: 20190813003 Project(s): 5290-00-72

Federal ID(s): WISC 2019576

SECTION: 0001

Contract Items

Alt Set ID:

Alt Mbr ID:

Proposal Line Number	Item ID Description	Approximate Quantity and Units	Unit Price	Bid Amount
0344	631.1000 Sod Lawn	100.000 SY	_____.	_____.
0346	631.1100 Sod Erosion Control	137.000 SY	_____.	_____.
0348	633.5200 Markers Culvert End	16.000 EACH	_____.	_____.
0350	634.0612 Posts Wood 4x6-Inch X 12-FT	16.000 EACH	_____.	_____.
0352	634.0614 Posts Wood 4x6-Inch X 14-FT	14.000 EACH	_____.	_____.
0354	634.0616 Posts Wood 4x6-Inch X 16-FT	49.000 EACH	_____.	_____.
0356	634.0618 Posts Wood 4x6-Inch X 18-FT	17.000 EACH	_____.	_____.
0358	634.0622 Posts Wood 4x6-Inch X 22-FT	3.000 EACH	_____.	_____.
0360	637.1220 Signs Type I Reflective SH	391.000 SF	_____.	_____.
0362	637.2210 Signs Type II Reflective H	906.000 SF	_____.	_____.
0364	637.2215 Signs Type II Reflective H Folding	67.000 SF	_____.	_____.
0366	637.2230 Signs Type II Reflective F	219.000 SF	_____.	_____.
0368	638.2102 Moving Signs Type II	36.000 EACH	_____.	_____.
0370	638.2602 Removing Signs Type II	114.000 EACH	_____.	_____.
0372	638.3000 Removing Small Sign Supports	63.000 EACH	_____.	_____.
0374	638.4000 Moving Small Sign Supports	28.000 EACH	_____.	_____.