



Wisconsin Department of Transportation

April 7, 2020

Division of Transportation Systems Development
 Bureau of Project Development
 4822 Madison Yards Way, 4th Floor South
 Madison, WI 53705

Telephone: (608) 266-1631
 Facsimile (FAX): (608) 266-8459

NOTICE TO ALL CONTRACTORS:

Proposal #29: 9090-01-61, WISC 2020 156
Eagle River - Tipler
Divide Rd To STH 55 Culverts
STH 70
Forest County

9090-01-61, WISC 2020 157
Eagle River - Tipler
Divide Rd To STH 55
STH 70
Forest County

Letting of April 14, 2020

This is Addendum No. 03, which provides for the following:

Special Provisions:

Revised Special Provisions	
Article No.	Description
3	Prosecution and Progress

Added Special Provisions	
Article No.	Description
27	Construction Over or Adjacent to Navigable Waters
28	Grading, Shaping and Finishing Alvin Creek Culvert Improvements Item SPV.0060.03
29	Pipe Arch Polymer Coated Corrugated Steel 112x75 Item SPV.0090.01
30	Temporary Water Diversion Item SPV.0105.02

Schedule of Items:

Revised Bid Item Quantities					
Bid Item	Item Description	Unit	Old Quantity	Revised Quantity	Proposal Total
203.0100	Removing Small Pipe Culverts	EA	10	2	12
205.0100	Excavation Common	CY	6751	535	7286
305.0110	Base Aggregate Dense ¾-inch	Ton	2421	30	2451
305.0120	Base Aggregate Dense 1 ¼-inch	Ton	4286	500	4786
455.0605	Tack Coat	Gal	9929	37	9966
465.0105	Asphaltic Surface	Ton	935	128	1063
606.0200	Riprap Medium	CY	11	13	24
628.1504	Silt Fence	LF	7800	485	8285
628.1520	Silt Fence Maintenance	LF	7800	485	8285

628.1905	Mobilizations Erosion Control	EA	13	1	14
628.2027	Erosion Mat Class II Type C	SY	131	45	176
633.5200	Markers Culvert Ends	EA	20	2	22
643.0300	Traffic Control Drums	DAYS	7080	1500	8580
643.0900	Traffic Control Signs	DAYS	2100	360	2460
645.0120	Geotextile Type HR	SY	19	25	44
650.6000	Construction Staking Pipe Culverts	EA	12	1	13
690.0150	Sawing Asphalt	LF	941	60	1001
SPV.0060.02	Lane Shift	EA	16	3	19

Added Bid Item Quantities					
Bid Item	Item Description	Unit	Old Quantity	Revised Quantity	Proposal Total
208.0100	Borrow	CY	-	55	55
504.0900	Concrete Masonry Endwalls	CY	-	10	10
628.2008	Erosion Mat Urban Class I Type B	SY	-	490	490
SPV.0060.04	Grading Shaping and Finishing Alvin Creek Culvert Improvements	EA	-	1	1
SPV.0090.01	Pipe Arch Polymer Coated Corrugated Steel 112x75-inch	LF	-	89	89
SPV.0105.02	Temporary Water Diversion	LS	-	1	1

Plan Sheets:

Added Plan Sheets – Project 9090-01-61	
Plan Sheet	Plan Sheet Title (brief description of why sheet was added)
4A	Typical Sections; added typical road section at improvement, riprap channel bank typical section and ditch and channel in-fill typical section
4B	Headwall Details; added notes and details for concrete endwalls
4C	Survey Control Plan; provides control points for culvert replacement
4D	Diversion Plan – Culvert 21070073753; provides water diversion information, temporary erosion control measures and wetland impact areas
4E	Culvert Plan – 21070073753; provides required construction information for culvert replacement
16A	Miscellaneous Quantities; denotes quantities for added work
99A	Cross Sections; existing and proposed road cross sections near culvert replacement
99B	Cross Sections; proposed road cross sections near culvert replacement
99C	Cross Sections; proposed road cross sections near and along centerline of culvert replacement
99D	Cross Sections; existing and proposed road cross sections near culvert replacement

The responsibility for notifying potential subcontractors and suppliers of these changes remains with the prime contractor.

Sincerely,

Mike Coleman

Proposal Development Specialist
Proposal Management Section

ADDENDUM NO. 03
9090-01-61 & 9090-01-72
April 7, 2020

Special Provisions

3. Prosecution and Progress.

Add the following:

Fish Spawning

There shall be no instream disturbance of Alvin Creek as a result of construction activity under or for this contract, from September 15th to May 15th both dates inclusive, in order to avoid adverse impacts upon the spawning of trout.

Any change to this limitation will require submitting a written request by the contractor to the engineer, subsequent review and concurrence by the Department of Natural Resources in the request, and final approval by the engineer. The approval will include all conditions to the request as mutually agreed upon by WisDOT and DNR.

36 090901)

27. Construction Over or Adjacent to Navigable Waters.

Alvin Creek is classified as a state navigable waterway under standard spec 107.19. stp-107-060 (20171130)

28. Grading Shaping and Finishing Alvin Creek Culvert Improvements Item SPV.0060.03

A Description

This special provision describes the excavating, filling, grading, shaping, compacting, ditching to provide drainage, placing topsoil, seed, fertilizer and finishing of all disturbed areas necessary to accommodate replacement and improvement of the Alvin Creek Culvert.

B Materials

All materials incorporated in the work shall be in accordance with the pertinent provisions of the standard specifications and special provisions.

C Construction

All work shall be in accordance with the pertinent provisions of the standard specifications.

Dispose of all unsuitable material in accordance with standard spec 206.3.12

D Measure

The department will measure Grading Shaping and Finishing Alvin Creek Culvert Improvements as a unit of work, acceptably completed.

E Payment

The department will pay for measured quantities at the contract unit price under the following bid item:

ITEM NUMBER	DESCRIPTION	UNIT
SPV.0060.03	Grading Shaping and Finishing Alvin Creek Culvert Improvements	EA

Payment is full compensation for all excavation, grading, shaping, and compacting; any ditching necessary to provide drainage; furnishing and placing fill, topsoil or salvaged topsoil, seed, fertilizer, and mulch.

The channel in-fill and erosion mat items will be measured and paid for under other contract bid items.

29. Pipe Arch Polymer Coated Corrugated Steel 112x75 Item SPV.0090.01

A Description

This special provision describes providing polymer coated corrugated steel pipes.

B Materials

B.1 Polymer Coated Corrugated Metal Pipe

Furnish polymer coated corrugated metal pipe meeting standard specification 521.2

B.2 Size and Thickness

Minimum pipe thickness shall be 0.109 inches (12 gage).

B.3 Corrugation Pattern

Provide pipe with nominal 3 inch X 1 inch (pitch X depth) annular corrugations.

C Construction

Construct according to standard specification 521.

Obtain Department of Natural Resources (DNR) approval of the culvert elevation prior to placement. Contact DNR at least 5 working days prior to placing the new culvert to ensure that DNR and Forest Service (USFS) can verify invert elevations and be on site during culvert installation. The DNR contact is Jon Simonsen at (715) 367-1936.

D Measure

The department will measure Pipe Arch Polymer Coated Corrugated Steel 112x75 by the linear foot, acceptably completed.

E Payment

The department will pay for measured quantities at the contract unit price under the following bid item:

ITEM NUMBER	DESCRIPTION	UNIT
SPV.0090.01	Pipe Arch Polymer Coated Corrugated Steel 112x75-inch	LF

Payment will be according to standard specification 521

30. Temporary Water Diversion Item SPV.0105.02

A Description

Provide for temporary bypass of flow during all stages of construction at Alvin Creek.

B Materials

The temporary diversion provided must be adequate to handle the flow required for a 2-year recurrence interval stream discharge. One of the existing 60-inch pipes may be utilized. The 2-year recurrence interval stream discharges is as follows:

Alvin Creek: 39 cubic feet per second (cfs)

C Construction

Construct temporary diversion channels lined with riprap light or other means approved by the

engineer to stabilize the excavated channel at each end of the temporary diversion. Install an impervious barrier to isolate the connection of the temporary diversion channel from the existing channel. Install an impervious barrier to isolate the new culvert work area from the temporary and existing channel to prevent the 2-year interval storm from back flowing into the new work area.

Maintain channel flow at all times and minimize erosion into the existing stream using appropriate erosion control measures. Check and evaluate temporary diversion at regular intervals to ensure diversion is functioning adequately and not creating any erosion. Ensure all portions of the temporary diversion, including the channel, meets the 2-year recurrence interval stream discharge.

D Measurement

The department will measure Temporary Water Diversion as a single complete lump sum unit of work, acceptably completed. Single complete unit of work may include multiple bypasses for the various stages of construction.

E Payment

The department will pay for measured quantities at the contract unit price under the following bid item:

ITEM NUMBER	DESCRIPTION	UNIT
SPV.0105.02	Temporary Diversion	LS

Payment is full compensation for furnishing all materials, any excavating required, hauling, placing all materials, including temporary culvert pipes, sand bags, bypass channels, riprap, slope or stream bed stabilization, polyethylene sheeting, anchors, temporary isolation barrier, aggregate material, pumping; any necessary removals; for maintenance and erosion repair and restoration.

Schedule of Items

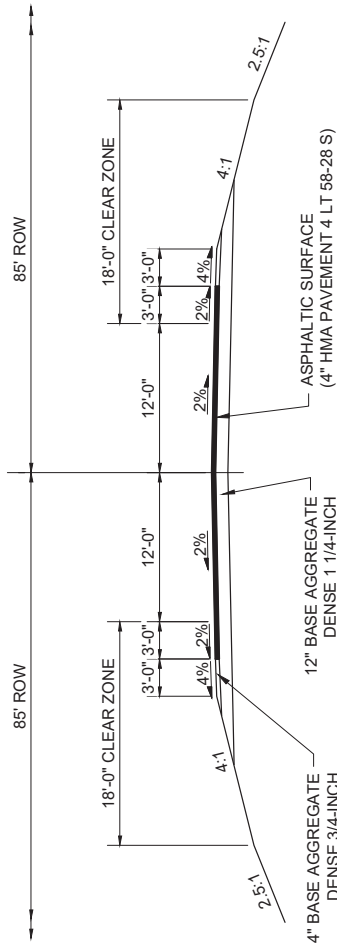
Attached, dated April 7, 2020, are the revised Schedule of Items Pages 1 - 6.

Plan Sheets

The following 8½ x 11-inch sheets are attached and made part of the plans for this proposal:
Added: 4A – 4E, 16A, and 99A-99D.

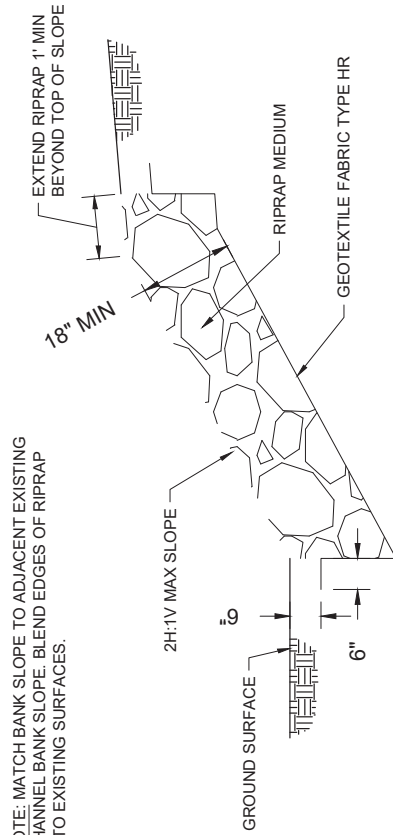
END OF ADDENDUM

Addendum No. 03
ID 9090-01-61
Added Sheet 4A
April 7, 2020



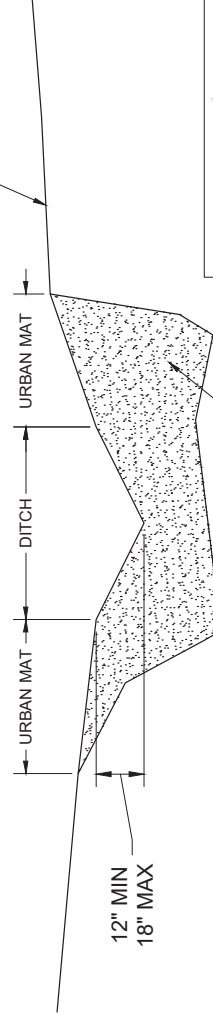
**FINISHED TYPICAL SECTION
CULVERT IMPROVEMENT LOCATION**

NOTE: PROVIDE DITCH WHERE SHOWN ON THE PLANS. EXCAVATE EXISTING GROUND AS NEEDED. DITCH SIDE SLOPES SHALL BE 2H:1V. LINE DITCH WITH EROSION MAT CLASS II TYPE C. COVER IN-FILL WITH EROSION MAT URBAN CLASS I TYPE B.



**RIPRAP CHANNEL BANK
TYPICAL SECTION**

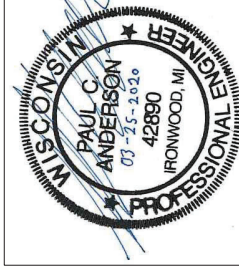
SCALE = 0.5 IN:1 FT



FILL ABANDONED CHANNEL WHERE SHOWN ON THE PLANS. CONTOUR TO MATCH SURROUNDING GROUND SURFACE

**DITCH AND CHANNEL IN-FILL
TYPICAL SECTION**

SCALE = 0.5 IN:1 FT



GENERAL NOTES

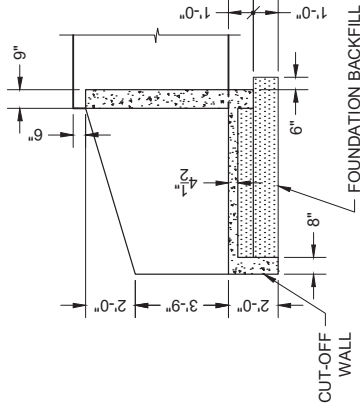
REFER TO WISCONSIN DOT STANDARD DETAIL DRAWING:
CONCRETE MASONRY ENDWALLS FOR CULVERT PIPE AND
PIPE ARCH.

REINFORCING IN VERTICAL WALL ELEMENTS SHALL BE #4
BARS AT 12" OC EACH WAY. SET WITH 2" CLEAR FROM
RETAINED EARTH SIDE AND 3" CLEAR OF PIPE.

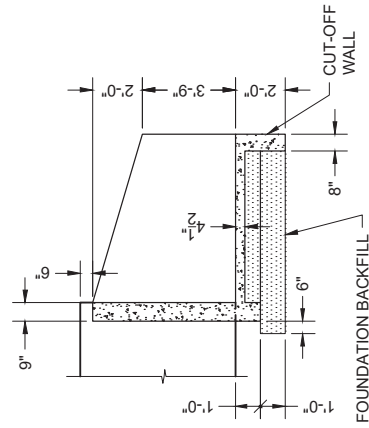
REINFORCING IN APRON AND CUT-OFF WALL SHALL BE #3
BARS AT 12" OC EACH WAY 2" CLEAR OF TOP AND LEADING
FACE OF WALL.

PLACE FOUNDATION BACKFILL MATERIAL MEETING
SECTION 520.2.5 BELOW WALLS TO A MINIMUM DEPTH OF
12". EXTEND FOUNDATION MATERIAL 6" BEYOND THE
EXTERIOR LIMITS OF THE ENDWALL. FILL UNDER APRON TO
SAME BASE DEPTH.

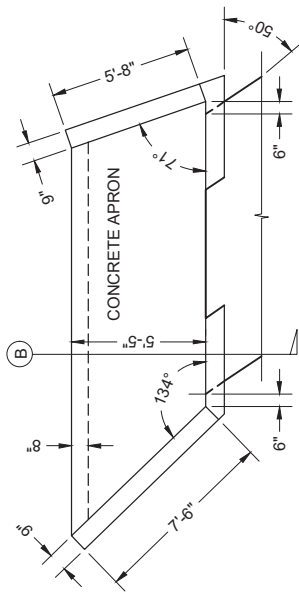
Addendum No. 03
ID 9090-01-61
Added Sheet 4B
April 7, 2020



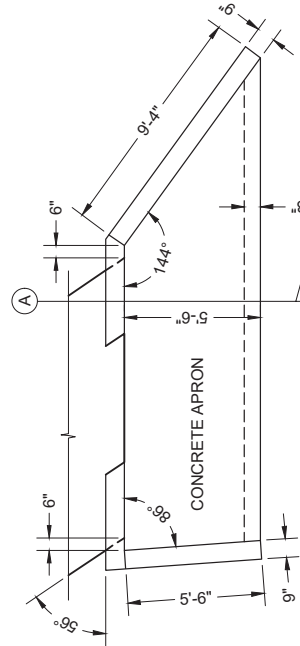
**OUTLET ENDWALL
SECTION B**



**INLET ENDWALL
SECTION A**



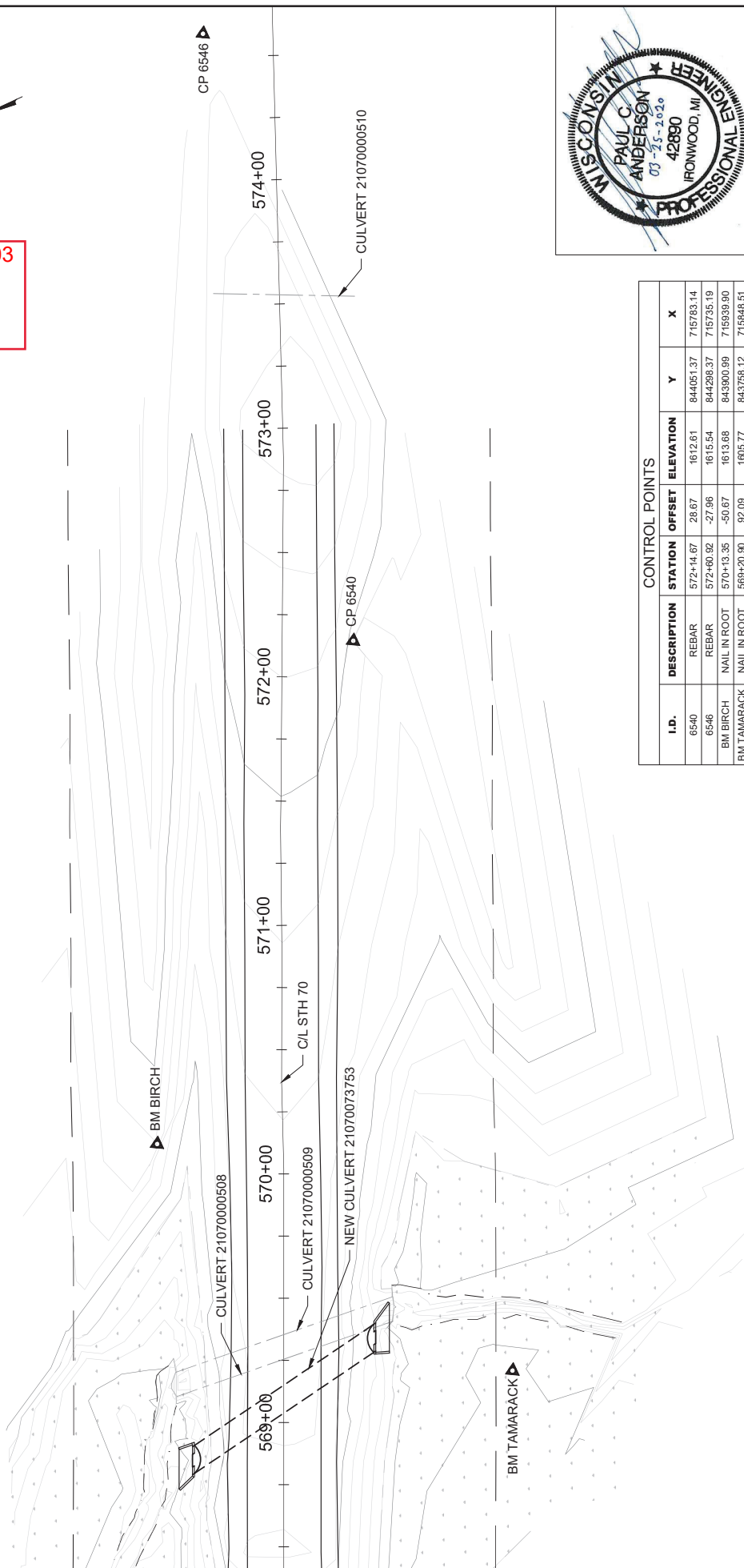
**OUTLET ENDWALL
PLAN VIEW**



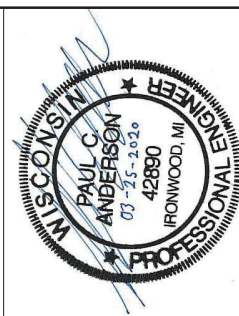
**INLET ENDWALL
PLAN VIEW**

PROJECT NO: 9090-01-61	COUNTY: FOREST	PLAN: HEADWALL DETAILS	SHEET: 4B	E
FILE NAME: C:\USERS\PEISCHMANN\BOX\VALVE_HMV70\DESIGN\SITEPLAN - DOT.DWG	PLOT DATE: 3/27/2020 11:08 AM	PLOT BY: REISCHMANN, PETER FS	PLOT SCALE: 1 IN=5 FT	WISDOT/CADDS SHEET 42
LAYOUT NAME: 02 Headwall	HWY: STH 70			

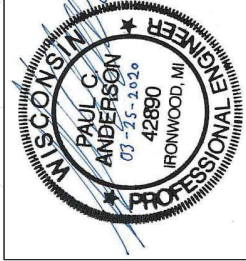
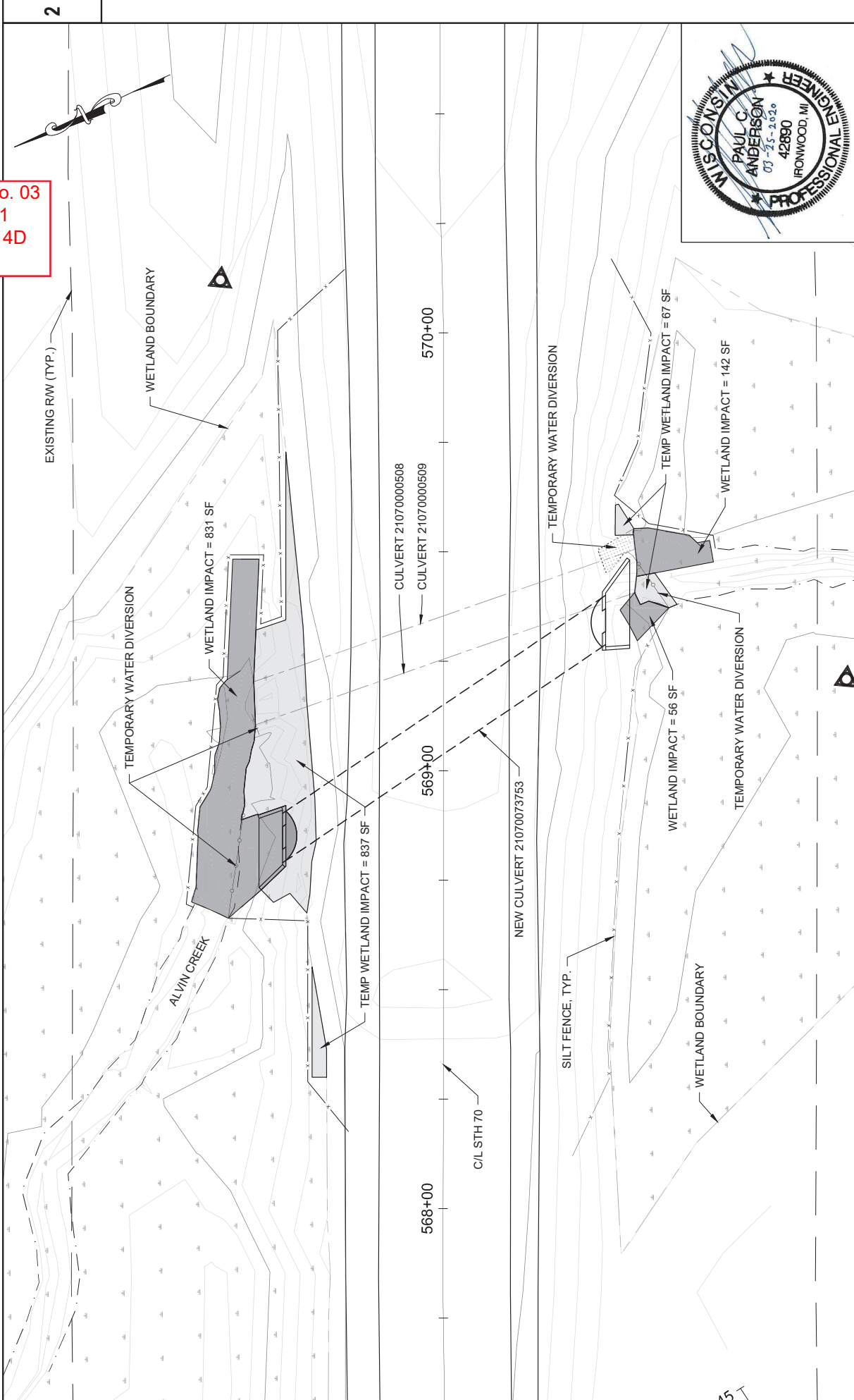
Addendum No. 03
ID 9090-01-61
Added Sheet 4C
April 7, 2020



CONTROL POINTS							
I.D.	DESCRIPTION	STATION	OFFSET	ELEVATION	X	Y	X
6540	REBAR	572+14.67	28.67	1612.61	844051.37	715783.14	
6546	REBAR	572+60.92	-27.96	1615.54	844286.37	715735.19	
	BM BIRCH	570+13.35	-50.67	1613.68	843900.99	715939.90	
	BM TAMARACK	569+20.90	92.09	1605.77	843758.12	715848.51	

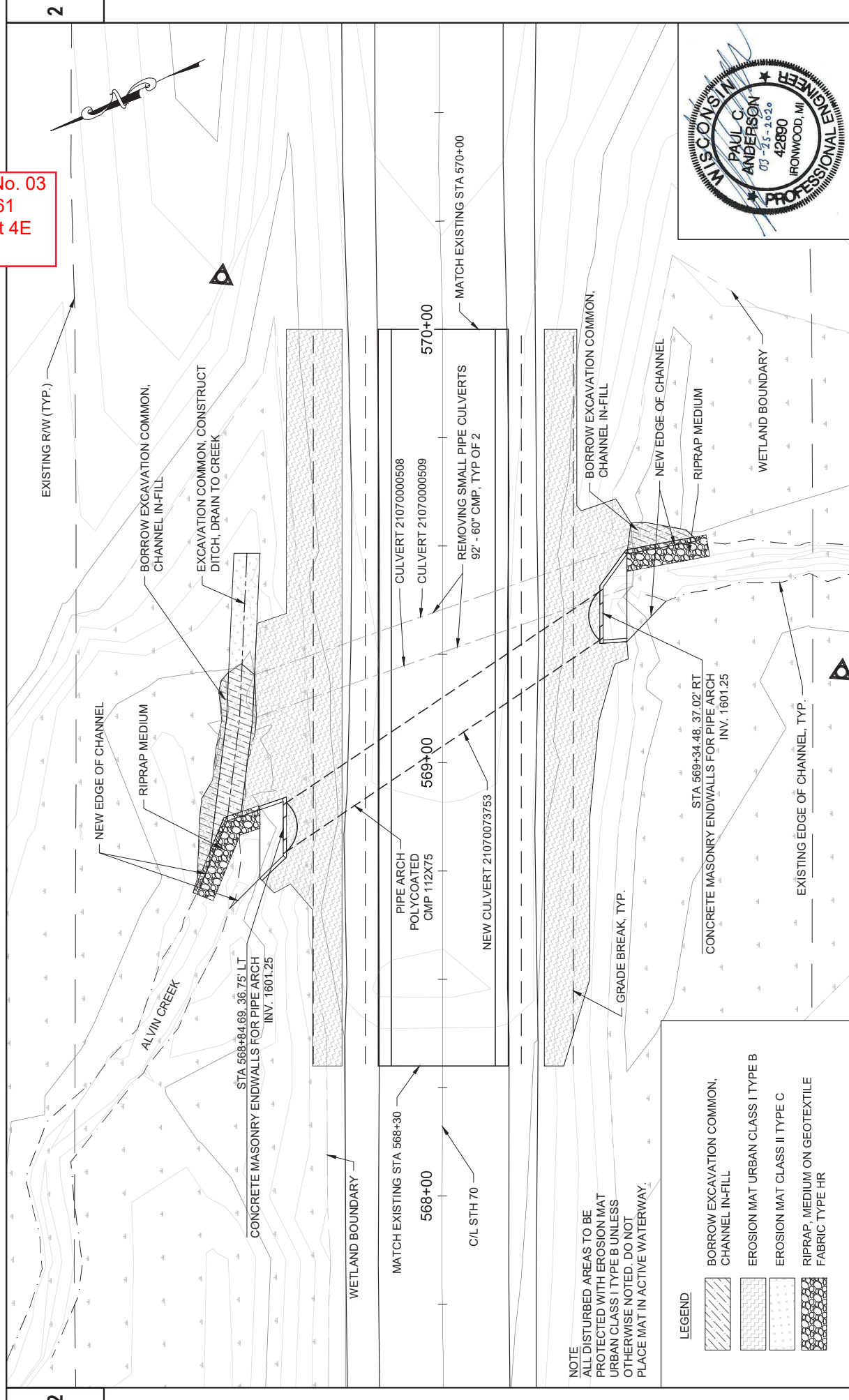


Addendum No. 03
 ID 9090-01-61
 Added Sheet 4D
 April 7, 2020



PROJECT NO: 9090-01-61	COUNTY: FOREST	SHEET 4D	E
FILE NAME: C:\LIBERS\FLEISCHMANN\BOWAVINL_HWY70\DESIGN\BITEPLAN - DOT.DWG	PLOT DATE: 3/27/2020 11:29 AM	PLOT NAME: FLEISCHMANN, PETER-F5	PLOT SCALE: 1 IN=20 FT
LAYOUT NAME: 04 DWPlan			

Addendum No. 03
 ID 9090-01-61
 Added Sheet 4E
 April 7, 2020



PROJECT NO: 9090-01-61	HWY: STH 70	COUNTY: FOREST	CULVERT PLAN - 21070073753	SHEET 4E	E
FILE NAME: C:\BES\FLEESCHMANN\BOWALVIN_HWY\DESIGN\BTEPLAN - DOT.DWG	LAYOUT NAME: 05-CMP.Pln	PLOT DATE: 3/27/2020 11:30 AM	PLOT BY: FLEESCHMANN, PETER-FS	PLOT NAME: 1 IN 20 FT	WSDOT/CADDS SHEET 42

EXCAVATION AND GRADING

CULVERT	LIMITS	"D"		"T"		208.0100 EXCAVATION BORROW COMMON (CY)
		LENGTH (FT)	DEPTH (IN)	PIPE DIA (FT)	DEPTH (FT)	
C21070073753	568+30 to 570+00	170	3.48	112x75	5.00	55
TOTAL						55

SAWING

690.0150 SAWING ASPHALT	
LOCATION	(LF)
C21070073753	60
TOTAL	
60	

TRAFFIC CONTROL

STAGE	DURATION CALENDAR DAYS	#	(DAYS)	(LS)	#	(DAYS)	643.0310.S TEMPORARY PORTABLE RUMBLE STRIPS		643.0900 TRAFFIC CONTROL SIGNS	
							(CY)	(CY)	(CY)	(CY)
ADVANCE SIGNING	30			-	10	300				
MAX WIDTH SIGNING	30			-	2	60				
FLAGGING DETAIL	30	50	1500	1	*	-				
TOTALS							1500	1	360	

* COSTS FOR FLAGGING AND ASSOCIATED SIGNS ARE INCIDENTAL TO THE CONTRACT AS PER STANDARD SPECIFICATION 104.6.1

CULVERT PIPE

LOCATION	203.0100 REMOVING SMALL PIPE CULVERTS (EACH)	SPV.0090.01 PIPE ARCH POLYMER COATED CORRUGATED STEEL 112x75-INCH ** (LF)	504.0900 CONCRETE MASONRY ENDWALLS (CY)	LT INVERT ELEV.	RT INVERT ELEV.	633.5200 MARKERS CULVERTS ENDS (EACH)	650.6000 CONSTRUCTION STAKING PIPE LANE SHIFT (EA)	606.0200 RIPRAP MEDIUM	628.1504 SILT FENCE	628.1520 SILT FENCE MAINTENANCE	628.2008 EROSION MAT URBAN CLASS I TYPE B	628.2027 EROSION MAT CLASS II TYPE C	645.0120 GEOTEXTILE TYPE HR	SPV.0105.02 TEMPORARY WATER DIVERSION	SPV.0060.03 GRADING SHAPING AND FINISHING ALVIN CREEK CULVERT IMPROVEMENTS (EA)	
																(CY)
C21070073753	-	89	10	1601.25	1601.25	2	1									
C21070000508	1	-	-	-	-	-	-									
C21070000509	1	-	-	-	-	-	-									
TOTALS		89	10			2	1									

** PIPE ARCH SHALL BE 12 GAUGE (0.109 INCH THICK) GALVANIZED STEEL WITH 3" x 1" CORRUGATIONS

Addendum No. 03
ID 9090-01-61
Added Sheet 16A
April 7, 2020

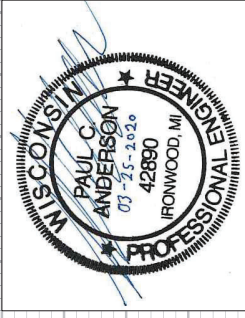
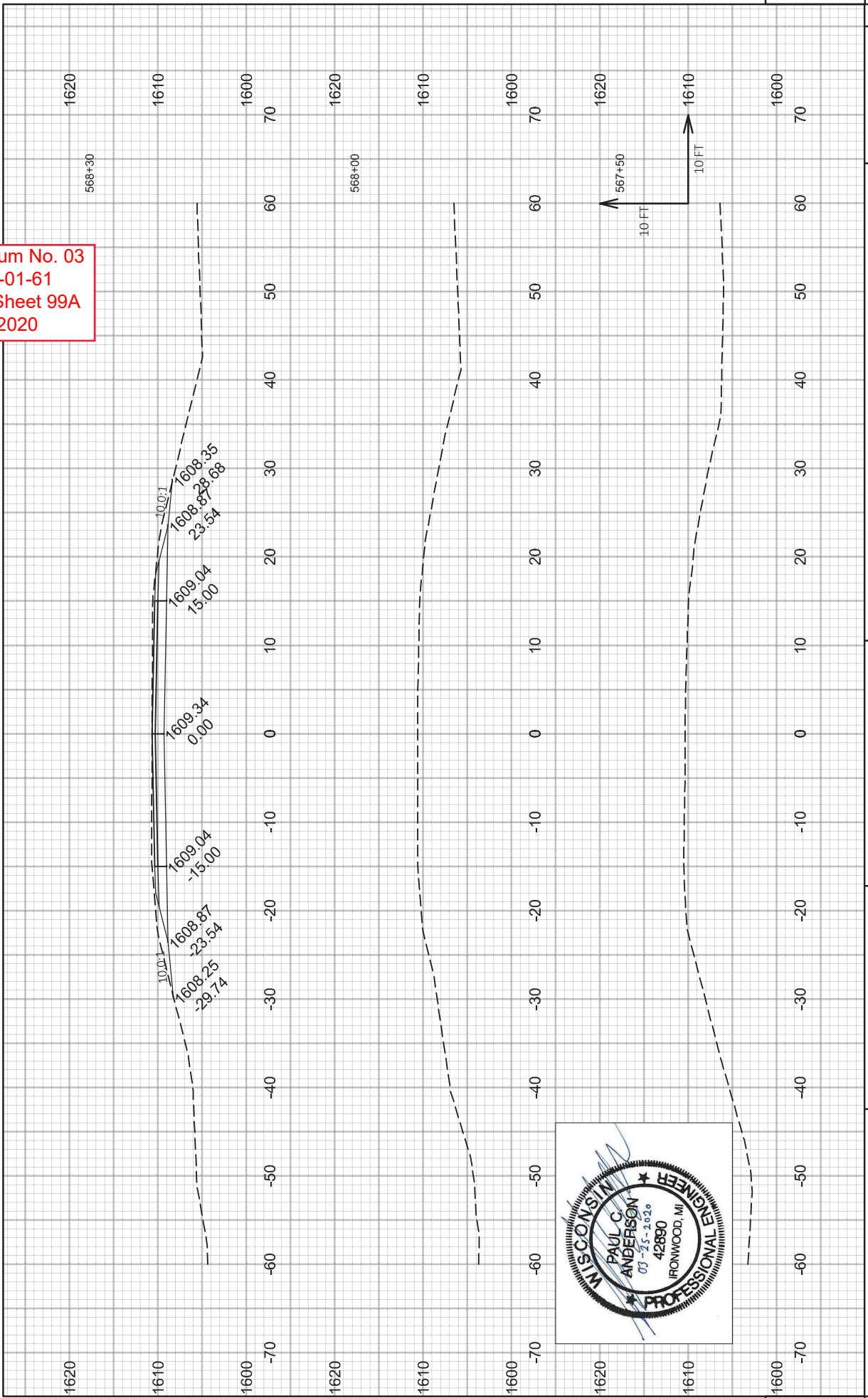
ALL ITEMS ON THIS PAGE ARE CATEGORY
0020 UNLESS OTHERWISE NOTED.



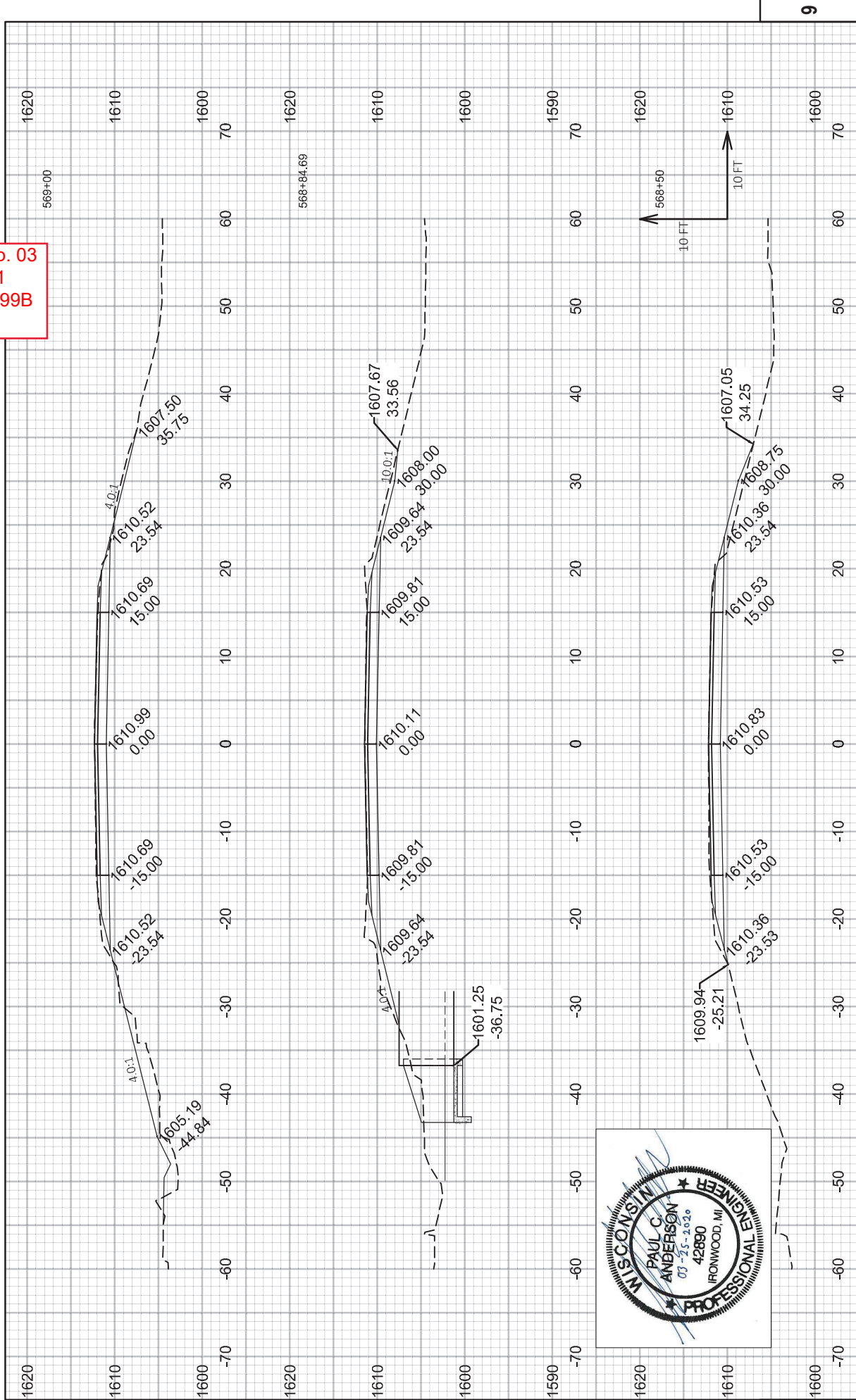
EROSION CONTROL AND RESTORATION

LOCATION	(CY)	(LF)	(EACH)	(SY)	(SY)	(SY)	(LS)	606.0200 RIPRAP MEDIUM	628.1504 SILT FENCE	628.1520 SILT FENCE MAINTENANCE	628.2008 EROSION MAT URBAN CLASS I TYPE B	628.2027 EROSION MAT CLASS II TYPE C	645.0120 GEOTEXTILE TYPE HR	SPV.0105.02 TEMPORARY WATER DIVERSION	SPV.0060.03 GRADING SHAPING AND FINISHING ALVIN CREEK CULVERT IMPROVEMENTS (EA)	
																(CY)
C21070073753	13	485	1	490	45	25	1									
TOTAL		13	485	1	490	45	25									

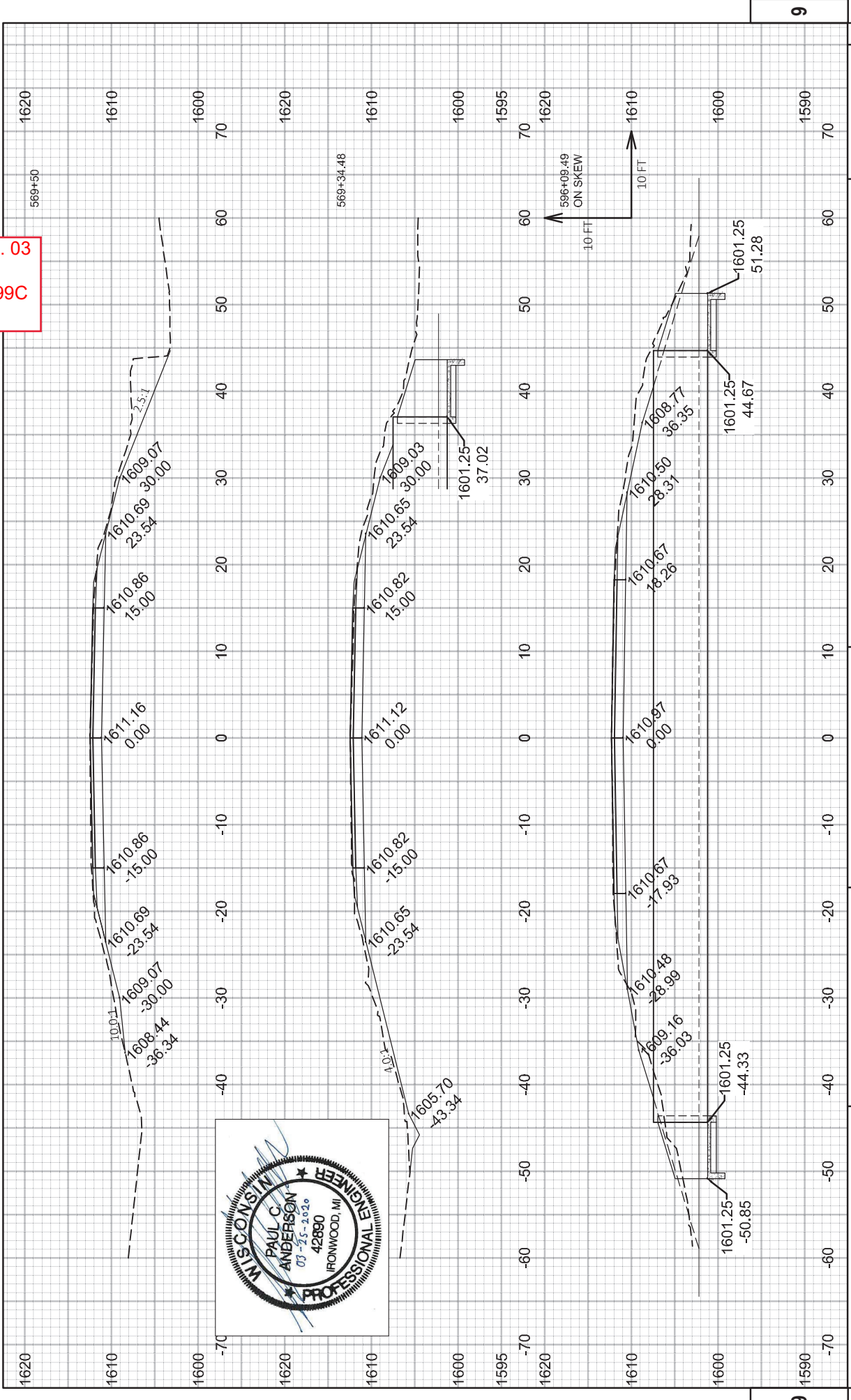
Addendum No. 03
 ID 9090-01-61
 Added Sheet 99A
 April 7, 2020



Addendum No. 03
 ID 9090-01-61
 Added Sheet 99B
 April 7, 2020

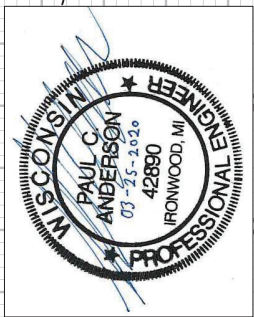
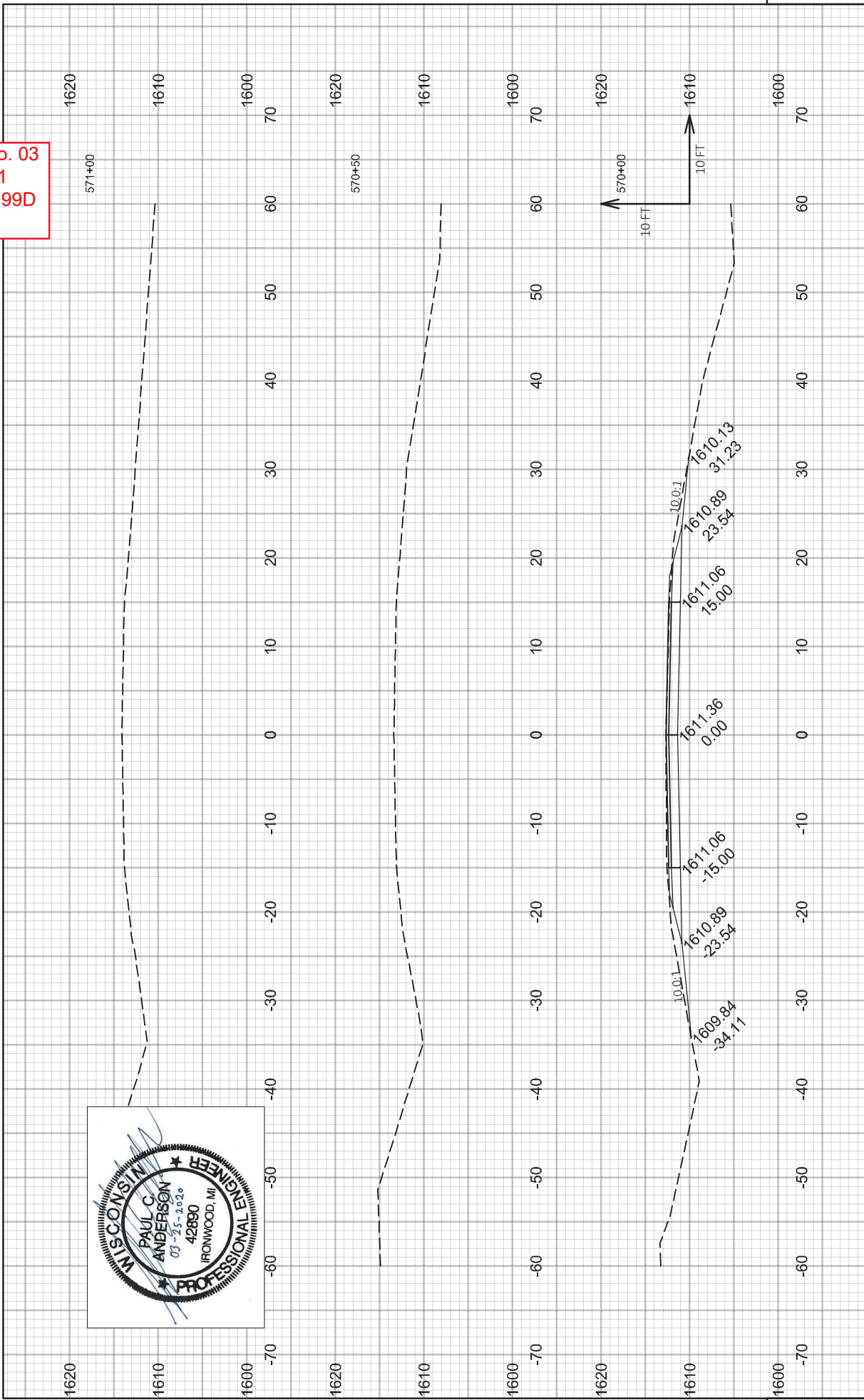


Addendum No. 03
 ID 9090-01-61
 Added Sheet 99C
 April 7, 2020



PROJECT NO:	9090-01-61	CROSS SECTIONS:	CULVERT REPLACEMENTS	SHEET	99C	E
FILE NAME:	C:\USERS\FLEISCHMANN\BDA\AVL\HWY\DESIGN\BTEPAN - DOT.DWG	PLOT BY:	FLEISCHMANN, PETER FS	PLOT SCALE: 1 IN=30 FT HORIZ / 1 IN=10 FT VERT.		
LAYOUT NAME:	09XSECTION	PLOT DATE:	3/27/2020 11:08 AM	PLOT NAME:		
HWY:	sth 70	COUNTY:	FOREST			

Addendum No. 03
 ID 9090-01-61
 Added Sheet 99D
 April 7, 2020





Proposal Schedule of Items

Proposal ID: 20200414029 Project(s): 9090-01-61, 9090-01-72

Federal ID(s): WISC 2020156, WISC 2020157

SECTION: 0001

Contract Items

Alt Set ID:

Alt Mbr ID:

Proposal Line Number	Item ID Description	Approximate Quantity and Units	Unit Price	Bid Amount
0002	203.0100 Removing Small Pipe Culverts	12.000 EACH	_____.	_____.
0004	204.0110 Removing Asphaltic Surface	4,100.000 SY	_____.	_____.
0006	204.0115 Removing Asphaltic Surface Butt Joints	295.000 SY	_____.	_____.
0008	204.0120 Removing Asphaltic Surface Milling	136,328.000 SY	_____.	_____.
0010	204.0150 Removing Curb & Gutter	333.000 LF	_____.	_____.
0012	204.0165 Removing Guardrail	2,250.000 LF	_____.	_____.
0014	204.9060.S Removing (item description) 01. Asphaltic Flume	2.000 EACH	_____.	_____.
0016	205.0100 Excavation Common	7,286.000 CY	_____.	_____.
0018	205.9015.S Grading Shaping and Finishing Intersection (location) 01. STH 55	LS	LUMP SUM	_____.
0020	211.0100 Prepare Foundation for Asphaltic Paving (project) 01. 9090-01-72	LS	LUMP SUM	_____.
0022	211.0400 Prepare Foundation for Asphaltic Shoulders	7.000 STA	_____.	_____.
0024	213.0100 Finishing Roadway (project) 01. 9090- 01-61	1.000 EACH	_____.	_____.
0026	213.0100 Finishing Roadway (project) 02. 9090- 01-72	1.000 EACH	_____.	_____.
0028	305.0110 Base Aggregate Dense 3/4-Inch	2,451.000 TON	_____.	_____.
0030	305.0120 Base Aggregate Dense 1 1/4-Inch	4,786.000 TON	_____.	_____.



Proposal Schedule of Items

Proposal ID: 20200414029 Project(s): 9090-01-61, 9090-01-72

Federal ID(s): WISC 2020156, WISC 2020157

SECTION: 0001

Contract Items

Alt Set ID:

Alt Mbr ID:

Proposal Line Number	Item ID Description	Approximate Quantity and Units	Unit Price	Bid Amount
0032	416.1010 Concrete Surface Drains	2.000 CY	_____.	_____.
0034	455.0605 Tack Coat	9,966.000 GAL	_____.	_____.
0036	460.0105.S HMA Percent Within Limits (PWL) Test Strip Volumetrics	1.000 EACH	_____.	_____.
0038	460.0110.S HMA Percent Within Limits (PWL) Test Strip Density	1.000 EACH	_____.	_____.
0040	460.2005 Incentive Density PWL HMA Pavement	15,460.000 DOL	1.00000	15,460.00
0042	460.2007 Incentive Density HMA Pavement Longitudinal Joints	15,834.000 DOL	1.00000	15,834.00
0044	460.2010 Incentive Air Voids HMA Pavement	15,460.000 DOL	1.00000	15,460.00
0046	460.5224 HMA Pavement 4 LT 58-28 S	15,459.000 TON	_____.	_____.
0048	465.0105 Asphaltic Surface	1,063.000 TON	_____.	_____.
0050	465.0110 Asphaltic Surface Patching	460.000 TON	_____.	_____.
0052	465.0475 Asphalt Centerline Rumble Strips 2-Lane Rural	39,584.000 LF	_____.	_____.
0054	520.8700 Cleaning Culvert Pipes	2.000 EACH	_____.	_____.
0056	521.1012 Apron Endwalls for Culvert Pipe Steel 12-Inch	2.000 EACH	_____.	_____.
0058	522.0124 Culvert Pipe Reinforced Concrete Class III 24-Inch	834.000 LF	_____.	_____.
0060	522.1024 Apron Endwalls for Culvert Pipe Reinforced Concrete 24-Inch	20.000 EACH	_____.	_____.



Proposal Schedule of Items

Proposal ID: 20200414029 Project(s): 9090-01-61, 9090-01-72

Federal ID(s): WISC 2020156, WISC 2020157

SECTION: 0001

Contract Items

Alt Set ID:

Alt Mbr ID:

Proposal Line Number	Item ID Description	Approximate Quantity and Units	Unit Price	Bid Amount
0062	601.0553 Concrete Curb & Gutter 4-Inch Sloped 36-Inch Type D	325.000 LF	_____	_____
0064	606.0200 Riprap Medium	24.000 CY	_____	_____
0066	612.0212 Pipe Underdrain Unperforated 12-Inch	57.000 LF	_____	_____
0068	614.0010 Barrier System Grading Shaping Finishing	4.000 EACH	_____	_____
0070	614.2300 MGS Guardrail 3	1,225.000 LF	_____	_____
0072	614.2330 MGS Guardrail 3 K	778.000 LF	_____	_____
0074	614.2610 MGS Guardrail Terminal EAT	8.000 EACH	_____	_____
0076	618.0100 Maintenance And Repair of Haul Roads (project) 01. 9090-01-61	1.000 EACH	_____	_____
0078	618.0100 Maintenance And Repair of Haul Roads (project) 02. 9090-01-72	1.000 EACH	_____	_____
0080	619.1000 Mobilization	1.000 EACH	_____	_____
0082	621.0100 Landmark Reference Monuments	1.000 EACH	_____	_____
0084	624.0100 Water	33.000 MGAL	_____	_____
0086	628.1104 Erosion Bales	180.000 EACH	_____	_____
0088	628.1504 Silt Fence	8,285.000 LF	_____	_____
0090	628.1520 Silt Fence Maintenance	8,285.000 LF	_____	_____
0092	628.1905 Mobilizations Erosion Control	14.000 EACH	_____	_____



Proposal Schedule of Items

Proposal ID: 20200414029 Project(s): 9090-01-61, 9090-01-72

Federal ID(s): WISC 2020156, WISC 2020157

SECTION: 0001

Contract Items

Alt Set ID:

Alt Mbr ID:

Proposal Line Number	Item ID Description	Approximate Quantity and Units	Unit Price	Bid Amount
0094	628.1910 Mobilizations Emergency Erosion Control	72.000 EACH	_____.	_____.
0096	628.2006 Erosion Mat Urban Class I Type A	3,509.000 SY	_____.	_____.
0098	628.2027 Erosion Mat Class II Type C	176.000 SY	_____.	_____.
0100	628.7504 Temporary Ditch Checks	230.000 LF	_____.	_____.
0102	628.7555 Culvert Pipe Checks	150.000 EACH	_____.	_____.
0104	628.7570 Rock Bags	140.000 EACH	_____.	_____.
0106	633.5200 Markers Culvert End	22.000 EACH	_____.	_____.
0108	634.0618 Posts Wood 4x6-Inch X 18-FT	4.000 EACH	_____.	_____.
0110	638.2102 Moving Signs Type II	10.000 EACH	_____.	_____.
0112	638.3000 Removing Small Sign Supports	10.000 EACH	_____.	_____.
0114	642.5001 Field Office Type B	1.000 EACH	_____.	_____.
0116	643.0300 Traffic Control Drums	8,580.000 DAY	_____.	_____.
0118	643.0900 Traffic Control Signs	2,460.000 DAY	_____.	_____.
0120	643.5000 Traffic Control	1.000 EACH	_____.	_____.
0122	645.0120 Geotextile Type HR	44.000 SY	_____.	_____.
0124	646.1020 Marking Line Epoxy 4-Inch	128,919.000 LF	_____.	_____.
0128	646.6120 Marking Stop Line Epoxy 18-Inch	50.000 LF	_____.	_____.



Proposal Schedule of Items

Proposal ID: 20200414029 Project(s): 9090-01-61, 9090-01-72

Federal ID(s): WISC 2020156, WISC 2020157

SECTION: 0001

Contract Items

Alt Set ID:

Alt Mbr ID:

Proposal Line Number	Item ID Description	Approximate Quantity and Units	Unit Price	Bid Amount
0130	648.0100 Locating No-Passing Zones	7.500 MI	_____.	_____.
0132	649.0105 Temporary Marking Line Paint 4-Inch	51,586.000 LF	_____.	_____.
0134	650.5500 Construction Staking Curb Gutter and Curb & Gutter	325.000 LF	_____.	_____.
0136	650.6000 Construction Staking Pipe Culverts	13.000 EACH	_____.	_____.
0138	650.8000 Construction Staking Resurfacing Reference	39,584.000 LF	_____.	_____.
0140	650.9910 Construction Staking Supplemental Control (project) 01. 9090-01-61	LS	LUMP SUM	_____.
0142	650.9910 Construction Staking Supplemental Control (project) 02. 9090-01-72	LS	LUMP SUM	_____.
0144	650.9920 Construction Staking Slope Stakes	2,963.000 LF	_____.	_____.
0146	690.0150 Sawing Asphalt	1,001.000 LF	_____.	_____.
0148	690.0250 Sawing Concrete	6.000 LF	_____.	_____.
0150	740.0440 Incentive IRI Ride	30,000.000 DOL	1.00000	30,000.00
0152	ASP.1T0A On-the-Job Training Apprentice at \$5.00/HR	1,500.000 HRS	5.00000	7,500.00
0154	ASP.1T0G On-the-Job Training Graduate at \$5.00/HR	1,200.000 HRS	5.00000	6,000.00
0156	SPV.0060 Special 01. Finishing Culvert Ends	10.000 EACH	_____.	_____.
0158	SPV.0060 Special 02. Lane Shift	19.000 EACH	_____.	_____.



Proposal Schedule of Items

Proposal ID: 20200414029 Project(s): 9090-01-61, 9090-01-72

Federal ID(s): WISC 2020156, WISC 2020157

SECTION: 0001

Contract Items

Alt Set ID:

Alt Mbr ID:

Proposal Line Number	Item ID Description	Approximate Quantity and Units	Unit Price	Bid Amount
0160	SPV.0060 Special 03. Reestablish Section Corner Monuments	1.000 EACH	_____.	_____.
0162	SPV.0180 Special 01. Protective Thermoplastic Coating at Snowmobile Trail Crossings	120.000 SY	_____.	_____.
0164	646.4520 Marking Line Same Day Epoxy 4-Inch	49,893.000 LF	_____.	_____.
0166	208.0100 Borrow	55.000 CY	_____.	_____.
0170	504.0900 Concrete Masonry Endwalls	10.000 CY	_____.	_____.
0172	628.2008 Erosion Mat Urban Class I Type B	490.000 SY	_____.	_____.
0174	SPV.0060 Special 04. Grading Shaping and Finishing Alvin Creek Culvert Improvements	1.000 EACH	_____.	_____.
0176	SPV.0090 Special 01. Pipe Arch Polymer Coated Corrugated Steel 112 x 75-Inch	89.000 LF	_____.	_____.
0178	SPV.0105 Special 02. Temporary Water Diversion	LS	LUMP SUM	_____.
	Section: 0001		Total:	_____.
			Total Bid:	_____.

