



# Wisconsin Department of Transportation

October 8, 2020

## Division of Transportation Systems Development

Bureau of Project Development  
4822 Madison Yards Way, 4<sup>th</sup> Floor South  
Madison, WI 53705

Telephone: (608) 266-1631  
Facsimile (FAX): (608) 266-8459

### NOTICE TO ALL CONTRACTORS:

**Proposal #01: 1060-33-84, WISC 2020 466**  
**Zoo IC, USH 45**  
**Swan Blvd to Burleigh Street**  
**USH 45**  
**Milwaukee County**

**1060-34-77**  
**Zoo IC, North Avenue**  
**118<sup>th</sup> Street to 116<sup>th</sup> Street**  
**Loc Str**  
**Milwaukee County**

**1100-18-73, WISC 2021 001**  
**Zoo IC, Polymer Overlays**  
**Zoo IC Mainline Bridges**  
**Var Hwy**  
**Milwaukee County**

**1100-18-76, WISC 2002 467**  
**Zoo I/C Overpasses**  
**Various Locations**  
**Var Hwy**  
**Milwaukee County**

### Letting of October 13, 2020

This is Addendum No. 05, which provides for the following:

#### Special Provisions:

Revised Special Provisions	
Article No.	Description
302	Precast Trench Drain, Item SPV.0090.8031; Temporary Precast Trench Drain, Item SPV.0090.8036.

Added Special Provisions	
Article No.	Description
359	Remove Pavement Marking 24-Inch, Item SPV.0090.0406

**Schedule of Items:**

<b>Revised Bid Item Quantities</b>					
Bid Item	Item Description	Unit	Old Quantity	Revised Quantity	Proposal Total
502.0110.S	Concrete Masonry Solider Pile Footings	CY	1,702	39	1,741
506.0105	Structural Steel Carbon	LB	25,381	30,118	55,499
506.0605	Structural Steel HS	LB	4,902,267	63,750	4,966,017
646.9010	Marking Removal Line Water Blasting 4-Inch	LF	88,274	11,525	99,799
SPV.0060.0405	Remove Grooved In Pavement Marking Thermoplastic Arrows and Words	EACH	39	3	42
SPV.0090.0405	Remove Pavement Marking 12-Inch	LF	96	1,324	1,420
SPV.0090.0414	Remove Pavement Marking Grooved Contrast Tape 4-Inch	LF	1,379	2,288	3,667
SPV.0090.0415	Remove Pavement Marking Grooved Contrast Tape 8-Inch	LF	1,868	1,340	3,208
SPV.0090.4035	Foundation Drilling	LF	14,370	205	14,575

<b>Added Bid Item Quantities</b>					
Bid Item	Item Description	Unit	Old Quantity	Revised Quantity	Proposal Total
SPV.0090.0406	Remove Pavement Marking 24-Inch	LF	0	39	39

**Plan Sheets:**

**Project ID 1060-33-84**

<b>Revised Plan Sheets</b>	
Plan Sheet	Plan Sheet Title (brief description of changes to sheet)
1984	B-40-878. See revised plans
2302	R-40-567. See revised plans
2303	R-40-573. See revised plans
2304	R-40-573. See revised plans
2305	R-40-573. See revised plans
2307	R-40-573. See revised plans
2309	R-40-573. See revised plans
2311	R-40-573. See revised plans
2312	R-40-573. See revised plans
2313	R-40-573. See revised plans
2315	R-40-573. See revised plans
2316	R-40-573. See revised plans
2317	R-40-573. See revised plans
2318	R-40-573. See revised plans
2320	R-40-573. See revised plans
2328	R-40-573. See revised plans
2329	R-40-573. See revised plans
2330	R-40-573. See revised plans
2352	R-40-576. See revised plans

**Project ID 1100-18-73**

<b>Added Plan Sheets</b>	
<b>Plan Sheet</b>	<b>Plan Sheet Title (brief description of why sheet was added)</b>
140A-B	Miscellaneous Quantities – Pavement Marking Removals

The responsibility for notifying potential subcontractors and suppliers of these changes remains with the prime contractor.

Sincerely,

*Mike Coleman*

Proposal Development Specialist  
Proposal Management Section

**ADDENDUM NO. 05**

**1060-33-84, 1060-34-77, 1100-18-73, 1100-18-76**

**October 8, 2020**

**Special Provisions**

**302. Precast Trench Drain, Item SPV.0090.8031; Temporary Precast Trench Drain, Item SPV.0090.8036.**

*Add the following to the beginning of B.1 Documentation:*

Furnish one of the following trench drains or an approved equal:

- ABT PDX Series with Series 502 Class E Grate
- ACO Highway Drain HD 200 8-Inch w/ Monolithic Trench Drains (with Ductile Iron Access Units)

**359. Remove Pavement Marking 24-Inch, Item SPV.0090.0406.**

**A Description**

Complete removal of markings in accordance with specification section 646.3.4 except as modified herein.

**B Materials**

Provide necessary materials to remove the marking completely.

**C Construction**

The removal shall be to the satisfaction of the engineer.

**D Measurement**

The department will measure Remove Pavement Marking 24-Inch by the linear foot of pavement marking acceptably removed.

**E Payment**

The department will pay for measured quantities at the contract unit price under the following bid item:

ITEM NUMBER	DESCRIPTION	UNIT
SPV.0090.0406	Remove Pavement Marking 24-inch	LF

Payment is full compensation for removing pavement marking.

**Schedule of Items**

Attached, dated October 8, 2020, are the revised Schedule of Items Pages 9, 10, 34, 45, 56, 57, and 66.

**Plan Sheets**

The following 8½ x 11-inch sheets are attached and made part of the plans for this proposal:

**1060-33-84**

Revised: 1984, 2302-2305, 2307, 2309, 2311-2313, 2315-2318, 2320, 2328-2330, 2352

**1100-18-73**

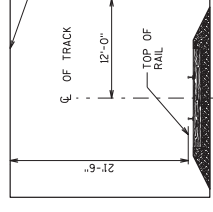
Added: Project ID 1100-18-76: 140A-B

END OF ADDENDUM

TOTAL ESTIMATED QUANTITIES

ITEM NO.	BID ITEM	UNIT	S. APPR. SLAB		PIER	NORTH ABUT.		N. APPR. SLAB		SUB-TOTAL	TEMPORARY STRUCTURE				TOTAL
			SOUTH ABUT.	NORTH ABUT.		SOUTH ABUT.	NORTH ABUT.	PIER 1	PIER 2		NORTH ABUT.	SUPER	SUB-TOTAL		
203.0200.0004	REMOVING OLD STRUCTURE STA. 41RNS+50	LS	-	-	-	-	-	-	-	1	-	-	-	-	1
203.0200.0005	REMOVING OLD STRUCTURE STA. 41RNS+15	LS	-	-	-	-	-	-	-	1	-	-	-	-	1
203.0200.0006	REMOVING OLD STRUCTURE STA. 22RDE+37	LS	-	-	-	-	-	-	-	1	-	-	-	-	1
205.0501.0001	ABATEMENT OF ASBESTOS CONTAINING MATERIAL STRUCTURE B-40-0137	TON	-	-	-	-	-	-	-	10.880	-	-	-	-	10.880
205.0501.0001	EXCAVATION, HAULING, AND DISPOSAL OF PETROLEUM CONTAMINATED SOIL	TON	-	-	-	-	-	-	-	10.880	-	-	-	-	10.880
206.1000.0008	EXCAVATION FOR STRUCTURES BRIDGES B-40-878	LS	-	-	-	-	-	-	-	1	-	-	-	-	1
206.1000.0009	BACKFILL STRUCTURE TYPE A	CY	-	-	-	-	-	-	-	1	-	-	-	-	1
502.0100	CONCRETE MASONRY BRIDGES	CT	35	462	341	524	35	524	35	1407	43	131	40	95	1822
502.0200	CONCRETE MASONRY BRIDGES	CT	-	-	-	-	-	-	-	899	-	-	-	-	899
502.4207	ADHESIVE ANCHORS, N/A BAR	EA	-	-	-	-	-	-	-	23	-	-	-	-	23
505.0400	BAR STEEL REINFORCEMENT HS STRUCTURES	LB	5,060	289,150	28,610	288,490	5,060	288,490	5,060	6,637.0	6,270	4,550	6,410	21,850	638,220
505.0400	BAR STEEL REINFORCEMENT HS COATED STRUCTURES	LB	100,010	42,690	102,430	-	-	102,430	-	245,130	-	-	-	-	245,130
505.0911	BAR COUPLERS NO. 11	EA	-	218	-	218	-	218	-	436	-	-	-	-	436
506.0005	STRUCTURAL STEEL CARBON	LB	-	(549)	-	(549)	-	(549)	-	(51,669)	-	-	-	-	(51,669)
506.0005	STRUCTURAL STEEL HS	LB	-	(5)	-	(5)	-	(5)	-	(43,169)	-	-	-	-	(43,169)
506.3004	WELDED STUD SHEAR CONNECTORS 3/4X4-INCH	EA	-	56	-	56	-	56	-	112	-	-	-	-	112
511.0200.0003	TEMPORARY SHORING B-40-878	SF	-	-	-	-	-	-	-	1,758	-	-	-	-	1,758
514.1000	RAILROAD DECK DRAIN SYSTEM B-40-878	LS	-	-	-	-	-	-	-	1	-	-	-	-	1
516.2625	DOWNSPOUT 6-INCH	LF	-	-	-	-	-	-	-	46	-	-	-	-	46
516.0500	RUBBERIZED MEMBRANE WATERPROOFING	SF	-	-	-	-	-	-	-	131	-	-	-	-	131
517.0600.0007	PAINTING EPOXY SYSTEM B-40-878	LS	-	-	-	-	-	-	-	1	-	-	-	-	1
517.1000.0001	CONCRETE STAINING B-40-878	SF	-	3,334	3,042	4,009	-	4,009	-	10,385	-	-	-	-	10,385
517.0500.0007	CONCRETE STAINING B-40-878	SF	-	2,918	2,902	3,306	-	3,306	-	8,186	-	-	-	-	8,186
612.0100	PIPE UNDERDRAIN 6-INCH	EA	-	354	-	360	-	360	-	734	-	-	-	-	734
612.0206	PIPE UNDERDRAIN IMPREGORATED 6-INCH	LF	-	5	-	73	-	73	-	78	-	-	-	-	78
645.0110	GEOTEXTILE TYPE OF SCHEDULE A	SF	-	295	-	317	-	317	-	612	-	-	-	-	612
SPV.0035.0003	EXCAVATION, HAULING, AND REUSE OF LOW-LEVEL CONTAMINATED SOIL	CY	-	362	-	455	-	455	-	837	-	-	-	-	837
SPV.0060.4008	PILE DYNAMIC ANALYZER (PDA) TESTING	EA	-	360	-	360	-	360	-	360	-	-	-	-	360
SPV.0060.4028	PILE DYNAMIC ANALYZER (PDA) TESTS	EA	-	2	-	2	-	2	-	2	-	-	-	-	2
SPV.0060.4048	CASE PILE WAVE ANALYSIS PROGRAM (CAP/WAVE) EVALUATION	EA	-	2	-	2	-	2	-	2	-	-	-	-	2
SPV.0060.4068	BEARING PADS ELASTOMERIC SPECIAL TEMPORARY	EA	-	2	-	2	-	2	-	2	-	-	-	-	2
SPV.0060.4088	BEARINGS HIGH-LOAD MULTI-ROTATIONAL L-GUIDED UPRR	EA	-	2	-	2	-	2	-	4	-	-	-	-	4
SPV.0060.4108	BEARINGS HIGH-LOAD MULTI-ROTATIONAL NON-GUIDED UPRR	EA	-	4	-	4	-	4	-	4	-	-	-	-	4
SPV.0060.4128	BEARINGS HIGH-LOAD MULTI-ROTATIONAL L-GUIDED UPRR	EA	-	1	-	1	-	1	-	4	-	-	-	-	4
SPV.0060.4188	THERMAL INTEGRITY PROFILER (TIP) TESTING, DRILLED FOUNDATION SHAFT 59.06-INCH	EA	-	3	-	3	-	3	-	4	-	-	-	-	4
SPV.0060.4198	CROSSHOLE SONIC LOG (CSL) TESTING, DRILLED FOUNDATION SHAFT 59.06-INCH	EA	-	4	-	4	-	4	-	4	-	-	-	-	4
SPV.0060.4172	CROSSHOLE SONIC LOG (CSL) TESTING, WALL SECANT PILE 59.06-INCH	EA	-	36	-	36	-	36	-	72	-	-	-	-	72
SPV.0060.4181	PILE INTEGRITY TESTING (PIT), DRILLED FOUNDATION SHAFT 59.06 INCH	EA	-	4	-	4	-	4	-	4	-	-	-	-	4
SPV.0075.4008	OBSTRUCTIONS DRILLED FOUNDATION SHAFT	HRS	-	6	-	6	-	6	-	6	-	-	-	-	6
SPV.0075.4008	OBSTRUCTIONS WALL SECANT PILE	HRS	-	18	-	18	-	18	-	36	-	-	-	-	36
SPV.0090.4008	PIILING STEEL HP H-INCH X 89 LB	LF	-	-	-	-	-	-	-	750	-	-	-	-	750
SPV.0090.4009	PIILING STEEL HP H-INCH X 117 LB	LF	-	-	-	-	-	-	-	750	-	-	-	-	750
SPV.0090.4028	DRILLED FOUNDATION SHAFT 59.06-INCH	LF	-	2,263	-	2,257	-	2,257	-	211	-	-	-	-	211
SPV.0090.4048	WALL SECANT PILE 59.06-INCH	LF	-	134	-	161	-	161	-	295	-	-	-	-	295
SPV.0090.4068	HANDRAIL B-40-878	LF	-	-	-	-	-	-	-	199	-	-	-	-	199
SPV.0090.4088	HANDRAIL TEMPORARY	LF	-	-	-	-	-	-	-	1	-	-	-	-	1
SPV.0095.4008	TRIAL WALL PANEL SECANT PILE 59.06-INCH	LS	-	-	-	-	-	-	-	1	-	-	-	-	1
SPV.0095.4008	TRIAL WALL PANEL SECANT PILE 59.06-INCH	LS	-	-	-	-	-	-	-	1	-	-	-	-	1
SPV.0105.4008	TEMPORARY SHORING AND EXISTING STRUCTURE MONITORING UPRR	EA	-	-	-	-	-	-	-	2,210	-	-	-	-	2,210
SPV.0105.4008	TEMPORARY SHORING RAILROAD TYPE B	EA	-	-	-	-	-	-	-	120	-	-	-	-	120
SPV.0105.4048	TEMPORARY SHORING RAILROAD TYPE B	SF	-	-	-	-	-	-	-	749	-	-	-	-	749
SPV.0105.4088	PRECAST CONCRETE MODULAR WINGWALL	SF	-	397	-	352	-	352	-	749	-	-	-	-	749
SPV.0105.4090	GEOCOMPOSITE WALL DRAIN	SF	-	445	-	445	-	445	-	1,200	-	-	-	-	1,200
SPV.0180.4008	MEMBRANE WATERPROOFING	SF	70	445	-	70	-	70	-	1,090	-	-	-	-	1,090
SPV.0180.4048	ASPHALT PANELS	SF	140	-	-	140	-	140	-	1,906	-	-	-	-	1,906
SPV.0195.4008	BASE AGGREGATE OPEN GRADED SPECIAL	TON	-	2,230	-	1,940	-	1,940	-	4,170	-	-	-	-	4,170
NON-BID ITEM															
	NAME PLATE	EA	-	-	-	-	-	-	-	-	-	-	-	-	-
	BRIDGE SEAT PROTECTION	LS	-	-	-	-	-	-	-	-	-	-	-	-	-
	PREFORMED JOINT FILLER	SIZE	-	-	-	-	-	-	-	-	-	-	-	-	-
	EXPANDED POLYSTYRENE	SIZE	-	-	-	-	-	-	-	-	-	-	-	-	-
	NON-BITUMINOUS JOINT SEALER	SIZE	-	-	-	-	-	-	-	-	-	-	-	-	-

ALL ITEMS ARE CATEGORY 8



MINIMUM CONSTRUCTION CLEARANCE ENVELOPE  
(NORMAL TO RAILROAD)

Addendum No. 05  
ID 1060-33-84  
Revised Sheet 1984  
October 8, 2020

10/07/20



NO.	DATE	REVISION	BY
5	10/17/20	STL. QTY. ADDENDUM	JMC/II
3	9/23/20	STL. QTY. ADDENDUM	JMC/II

STATE OF WISCONSIN  
DEPARTMENT OF TRANSPORTATION

STRUCTURE B-40-878  
DRAWN BY: JMC  
ENGS: JMC  
CHECKED BY: JMC

45

QUANTITIES

SHEET 4 OF 78

1984

PLOT SCALE : 8:1

PLOT NAME : #FILE\$

PLOT DATE : 10/7/2020 9:40:49 AM

PLOT BY : msscprocedr

FILE NAME : I:\76084\_200-N-Pots\W300\Cadd\F\10603384\_2N\Structs\B-40-878\cadd\cadd\Proposed Bridge\080104\_00\_A05.dgn

STATE PROJECT NUMBER  
**1060-33-84**

**DESIGN DATA**

**MATERIAL PROPERTIES**  
 CONCRETE MASONRY RETAINING WALL f'c = 4,000 PSI  
 CONCRETE MASONRY-ALL OTHER f'c = 3,500 PSI  
 BAR STEEL REINFORCEMENT, GRADE 60 fy=60,000 PSI  
 HIGH STRENGTH STRUCTURAL STEEL fy=50,000 PSI  
 \* TIMBER LAGGING Fb=1,000 PSI  
 E=1,700,000 PSI

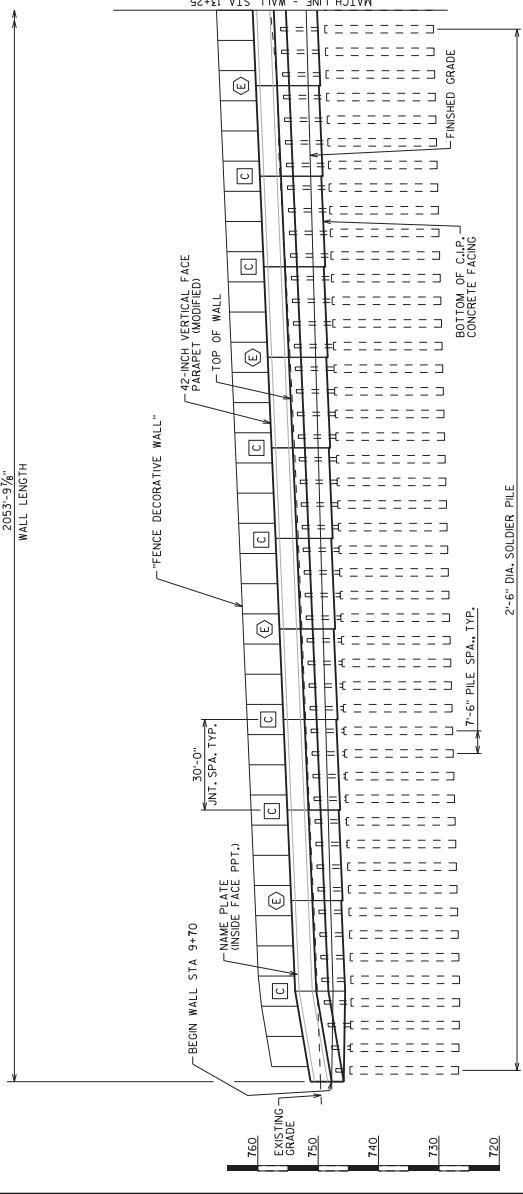
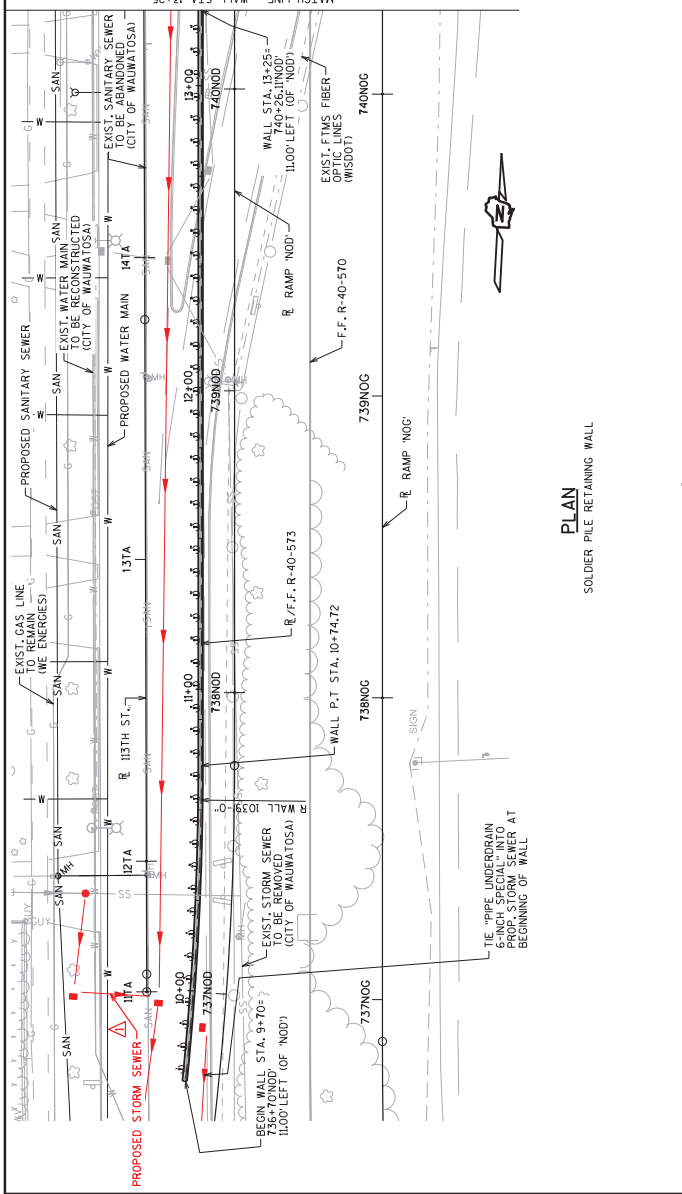
\* MATERIAL VALUES BASED ON DOUGLAS FIR-LARCH NO.1 > 2" WIDE,  
 REFERENCE AASHTO LRFD SPECIFICATION TABLE 6.4.1.1.4-1

LIVE LOAD  
 LIVE LOAD SURCHARGE: 240 PSF

**LIST OF DRAWINGS**

1. GENERAL PLAN & ELEVATION 1
2. GENERAL PLAN & ELEVATION 2
3. GENERAL PLAN & ELEVATION 3
4. GENERAL PLAN & ELEVATION 4
5. GENERAL PLAN & ELEVATION 5
6. GENERAL NOTES & QUANTITIES
7. TYPICAL SECTIONS 1
8. TYPICAL SECTIONS 2
9. TYPICAL SECTIONS 3
10. SOLDIER PILE DATA TABLE 1
11. SOLDIER PILE DATA TABLE 2
12. SOLDIER PILE DATA TABLE 3
13. SOLDIER PILE DATA TABLE 4
14. TIEBACK ANCHOR DETAILS
15. TIEBACK ANCHOR DATA TABLE 1
16. TIEBACK ANCHOR DATA TABLE 2
17. COPING AND WALL FACING DETAILS 1
18. COPING AND WALL FACING DETAILS 2
19. COPING AND WALL FACING DETAILS 3
20. WALL FACING ELEVATION (1 OF 5)
21. WALL FACING ELEVATION (2 OF 5)
22. WALL FACING ELEVATION (3 OF 5)
23. WALL FACING ELEVATION (4 OF 5)
24. WALL FACING ELEVATION (5 OF 5)
25. WALL FACING & COPING BILL OF BARS
26. TOP OF WALL DETAILS
27. PARAPET AND ANCHOR SLAB DETAILS 1
28. PARAPET AND ANCHOR SLAB DETAILS 2
29. PARAPET AND ANCHOR SLAB DETAILS 3
30. PARAPET AND ANCHOR SLAB DETAILS 4
31. AESTHETIC WALL TREATMENT ELEVATION (1 OF 2)
32. AESTHETIC WALL TREATMENT ELEVATION (2 OF 2)
33. FENCE DECORATIVE RETAINING WALL (1 OF 3)
34. FENCE DECORATIVE RETAINING WALL (2 OF 3)
35. FENCE DECORATIVE RETAINING WALL (3 OF 3)
36. FENCE DECORATIVE RETAINING WALL (3 OF 3)
37. RAILING PIPE DETAILS
38. SUBSURFACE EXPLORATION 1
39. SUBSURFACE EXPLORATION 2

**Addendum No. 05**  
**ID 1060-33-84**  
**Revised Sheet 2302**  
**October 8, 2020**



WALL STA.	R STA.	FINISHED GRADE (TOP OF WALL) EL.	TOP OF WALL EL.
9+70.00	736+70.00(NOD)	747.76	747.76
9+75.00	736+75.05(NOD)	747.80	748.51
9+85.00	736+85.16(NOD)	747.91	750.01
10+00.00	737+00.31(NOD)	747.63	750.31
10+11.50	737+11.59(NOD)	747.69	750.56
10+25.00	737+25.58(NOD)	747.88	750.85
10+50.00	737+50.87(NOD)	748.22	751.39
10+75.00	737+76.16(NOD)	748.56	751.93
11+00.00	738+01.45(NOD)	748.91	752.47
11+25.00	738+26.74(NOD)	749.25	753.01
11+50.00	738+52.03(NOD)	749.59	753.55
11+75.00	738+77.32(NOD)	749.94	754.09
12+00.00	739+02.61(NOD)	750.28	754.64
12+25.00	739+27.90(NOD)	750.62	755.18
12+50.00	739+53.19(NOD)	750.97	755.73
12+75.00	739+78.48(NOD)	751.31	756.27
13+00.00	740+03.77(NOD)	751.65	756.81
13+25.00	740+29.06(NOD)	751.99	757.35

**WALL ELEVATION TABLE**  
 WALL STA. 9+70 TO 13+25

10/7/20

**LEGEND**

- (C) WALL FACING CONTRACTION JOINT
- (E) WALL FACING EXPANSION JOINT

STRUCTURE DESIGN CONTACTS:  
 CHRISTOPHER DOLL (608) 266-3229  
 AARON BORK (608) 261-0261

NO. DATE: 10/6/20  
 REVISION: CAD  
 STORM SEWER: CAD  
 BY: CAD

**BUREAU OF STRUCTURES**  
 ACCEPTED: 9/3/20  
 CHIEF STRUCTURES DESIGN ENGINEER: DATE: 9/3/20  
 STRUCTURE: R-40-573  
 COUNTY: MILWAUKEE CITY: WAUWATOSA

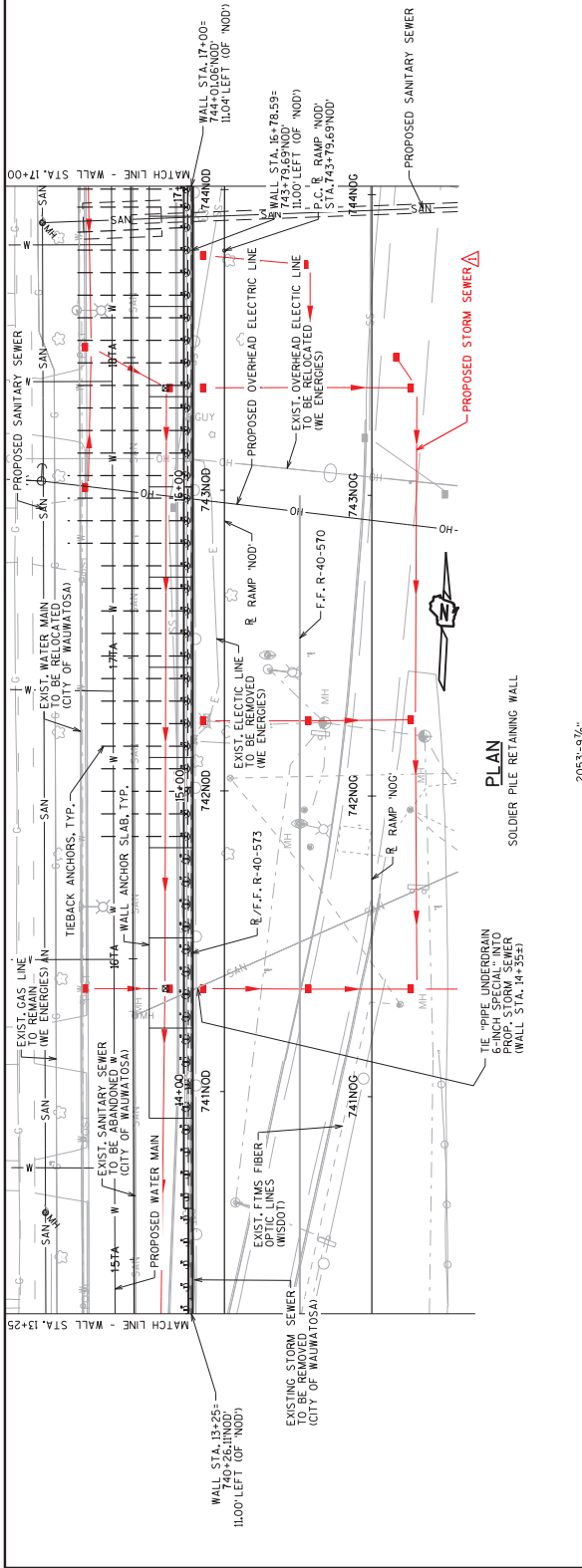
DESIGN SPEC: ASHTO LRFD BRIDGE DESIGN SPECIFICATIONS  
 ASHOTO LRFD BRIDGE DESIGN SPECIFICATIONS  
 WIPROD-CAD (CSD) WWR (CSD) WWR (CSD)

**GENERAL PLAN & ELEVATION 1**  
 SHEET 1 OF 39  
 2302

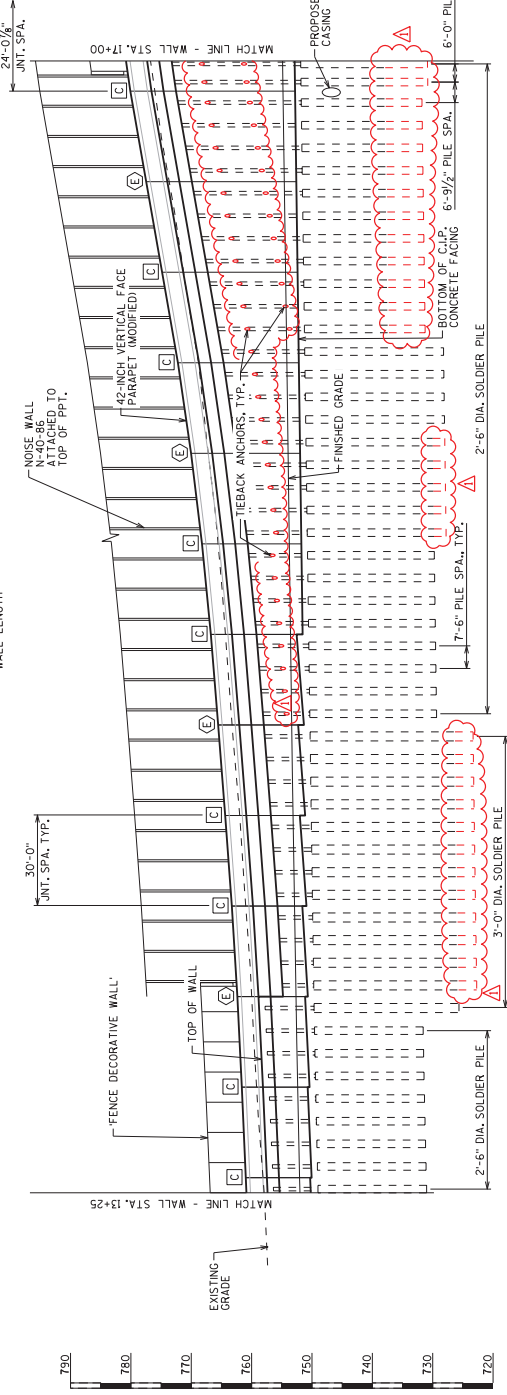
DATE: FEB. 2020

STATE PROJECT NUMBER  
**1060-33-84**

**Addendum No. 05**  
**ID 1060-33-84**  
**Revised Sheet 2303**  
**October 8, 2020**



**PLAN**



**ELEVATION**

LOOKING WEST AT F.F. OF WALL  
(VERTICAL EXAGGERATION - 2X)

WALL STA.	R. STA.	FINISHED GRADE	TOP OF WALL
		EL.	EL.
13+25.00	740+26.11NOD	751.99	751.35
13+50.00	740+51.11NOD	752.29	751.89
14+00.00	740+76.11NOD	752.59	752.19
14+25.00	741+01.11NOD	753.04	752.93
14+50.00	741+26.11NOD	753.12	760.87
14+75.00	741+51.11NOD	753.29	761.84
15+00.00	742+01.11NOD	753.47	762.81
15+25.00	742+26.11NOD	753.60	763.90
15+50.00	742+51.11NOD	753.82	765.25
16+00.00	743+01.11NOD	754.00	766.84
16+25.00	743+26.11NOD	754.17	768.70
16+50.00	743+51.11NOD	754.34	770.88
16+75.00	743+76.11NOD	754.52	773.08
17+00.00	744+01.06NOD	754.69	775.27
		754.86	777.40

**WALL ELEVATION TABLE**

WALL STA. 13+25 TO 17+00

**LEGEND**

- C WALL FACING CONTRACTION JOINT
- E WALL FACING EXPANSION JOINT

NO.	DATE	REVISION	BY
10/06/20		FOOTINGS/TIEBACK ELEV./STORM SEW	CAD

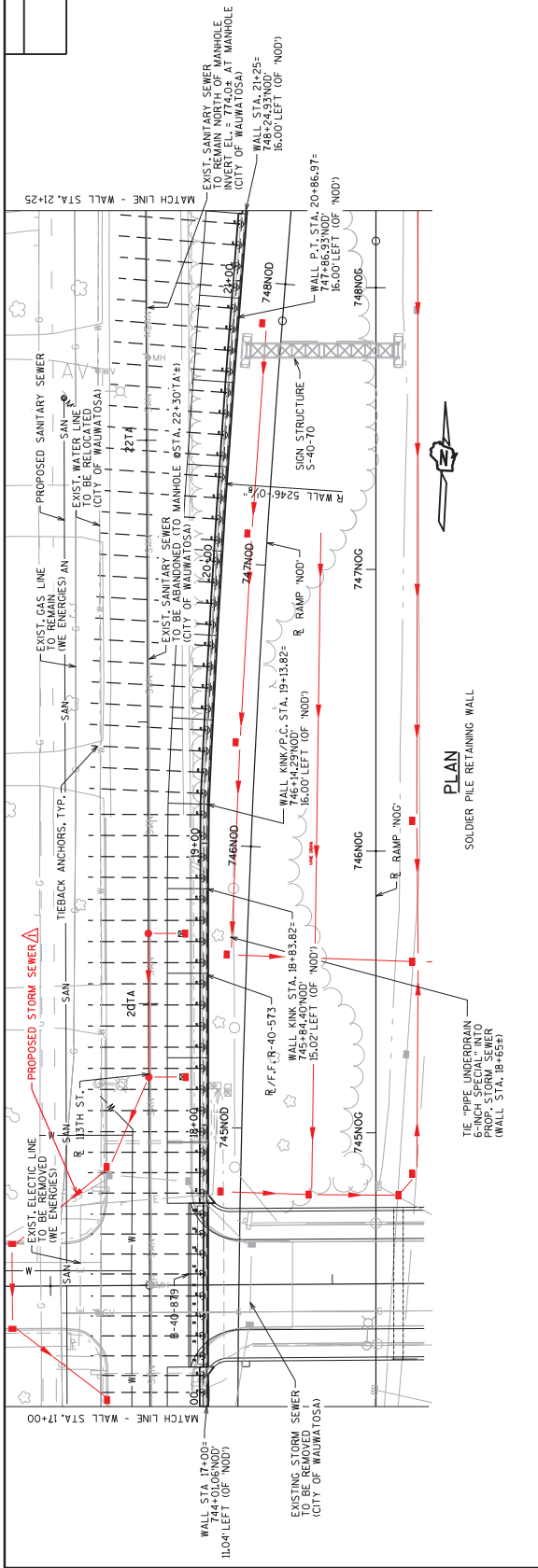
STATE OF WISCONSIN  
DEPARTMENT OF TRANSPORTATION  
**STRUCTURES DESIGN SECTION**

**STRUCTURE R-40-573**

DESIGNED BY: WWR  
DRAWN BY: [Signature]  
CHECKED BY: [Signature]  
GENERAL PLAN & ELEVATION 2  
SHEET 2  
2303

10/7/20

**Addendum No. 05**  
**ID 1060-33-84**  
**Revised Sheet 2304**  
**October 8, 2020**



**PLAN**

SOLDIER PILE RETAINING WALL

WALL STA.	R. STA.	FINISHED GRADE ELEV.	TOP OF WALL ELEV.
17+00.00	744+01.00	754.86	777.40
17+08.24	744+09.29	754.92	777.81
17+25.00	744+26.01	755.04	769.94
17+50.00	744+50.95	755.22	769.94
17+78.00	744+78.89	755.41	769.94
18+00.00	745+00.83	755.44	779.21
18+25.00	745+25.76	755.80	779.80
18+50.00	745+50.68	756.01	780.04
18+75.00	745+75.60	756.21	780.29
19+00.00	746+00.51	756.42	780.58
19+25.00	746+25.43	756.61	781.06
19+50.00	746+50.35	756.78	781.52
19+75.00	746+75.27	756.93	782.00
20+00.00	747+00.19	757.08	782.48
20+25.00	747+25.12	757.30	782.90
20+50.00	747+50.04	757.47	783.37
20+75.00	747+74.97	757.64	783.72
21+00.00	747+99.93	757.81	783.92
21+25.00	748+24.93	757.98	782.59

**WALL ELEVATION TABLE**

WALL STA. 17+00 TO 21+25

**LEGEND**

- (C) WALL FACING CONSTRUCTION JOINT
- (E) WALL FACING EXPANSION JOINT

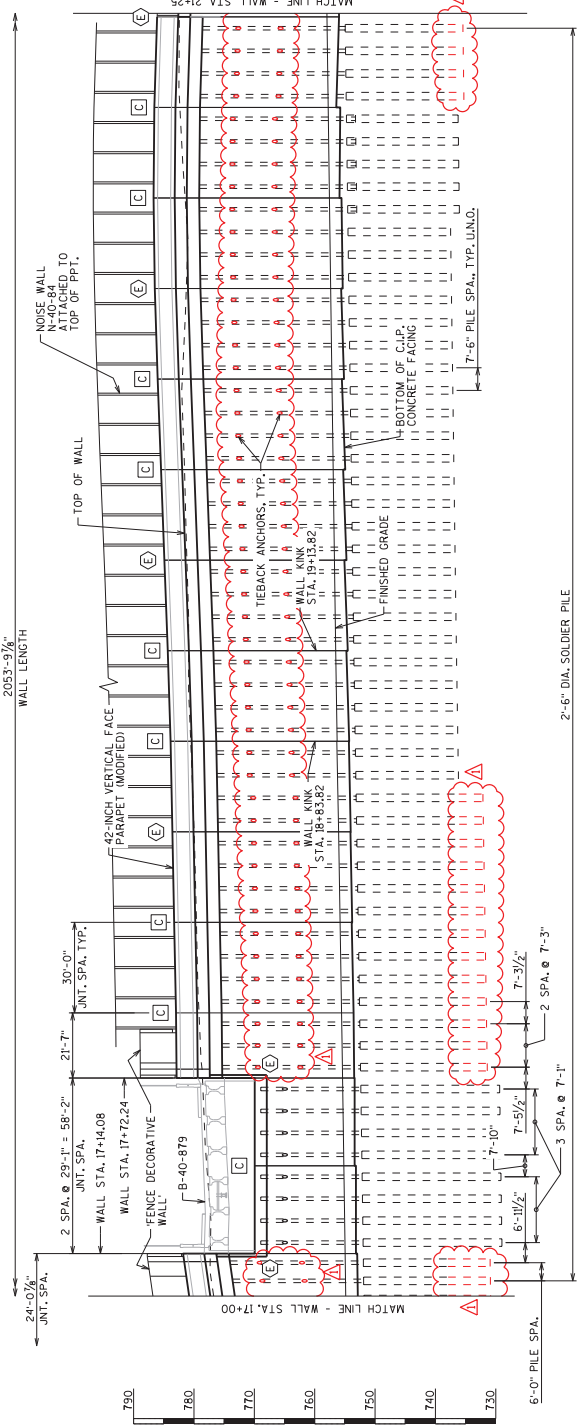
NO.	DATE	REVISION	BY
1	10/6/20	FOOTINGS/FEBACK ELEV./STORM SEW	CAD

STATE OF WISCONSIN  
DEPARTMENT OF TRANSPORTATION  
STRUCTURES DESIGN SECTION  
**STRUCTURE R-40-573**

GENERAL PLAN  
& ELEVATION 3

10/17/20

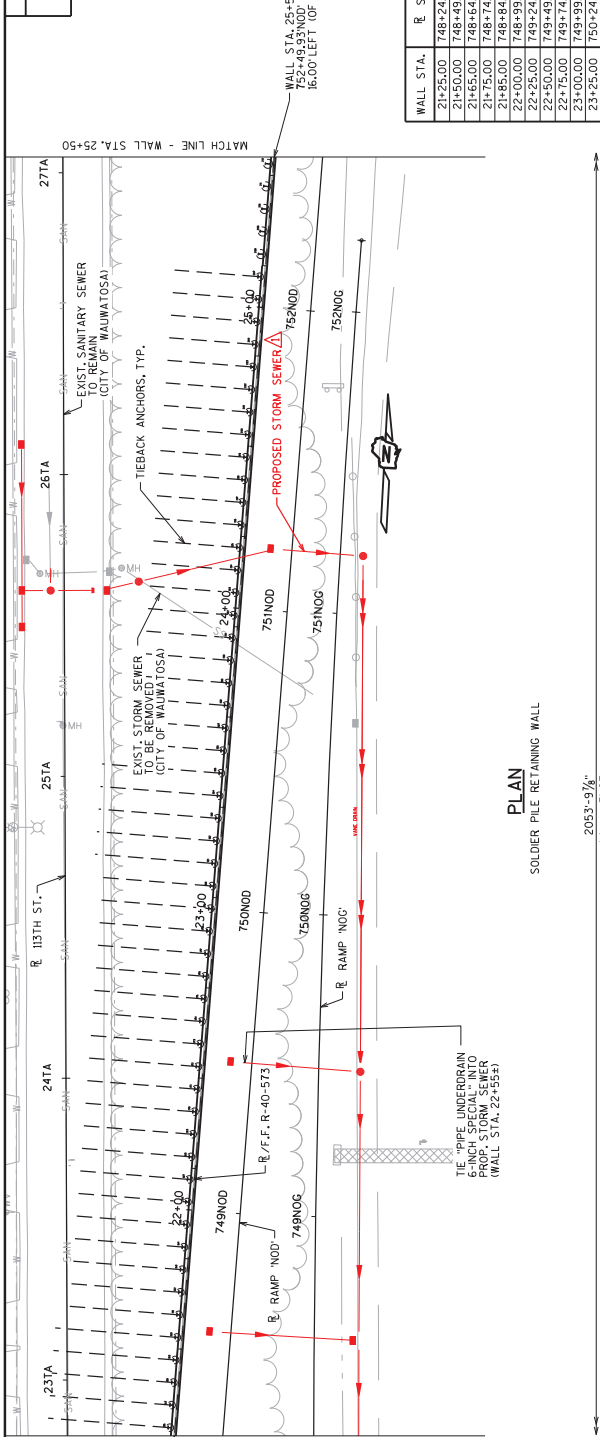
ELEVATION  
LOOKING WEST AT F.F. OF WALL  
(VERTICAL EXAGGERATION - 2X)





STATE PROJECT NUMBER  
1060-33-84

Addendum No. 05  
ID 1060-33-84  
Revised Sheet 2305  
October 8, 2020



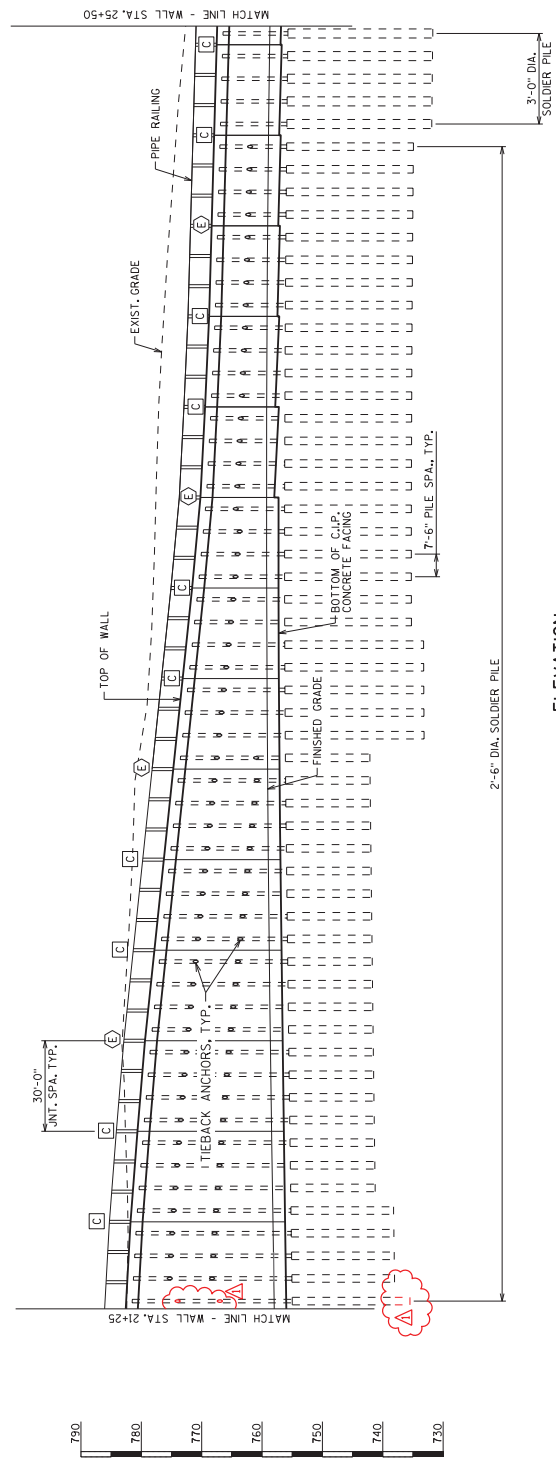
PLAN  
SOLDIER PILE RETAINING WALL

2053'-9 1/2"  
WALL LENGTH

WALL STA.	R STA.	FINISHED GRADE ELEV.	TOP OF WALL ELEV.
21+25.00	748+24.93N00'	757.98	782.59
21+50.00	748+49.93N00'	758.16	781.92
21+65.00	748+64.93N00'	758.26	781.40
21+75.00	748+74.93N00'	758.33	781.00
21+85.00	748+84.93N00'	758.40	780.59
22+00.00	748+99.93N00'	758.50	779.98
22+25.00	749+24.93N00'	758.65	778.81
22+50.00	749+49.93N00'	758.81	777.51
22+75.00	749+74.93N00'	758.96	776.21
23+00.00	749+99.93N00'	759.11	774.81
23+25.00	750+24.93N00'	759.27	773.31
23+50.00	750+49.93N00'	759.37	771.00
23+75.00	750+74.93N00'	759.27	770.38
23+87.00	750+86.93N00'	759.27	770.05
24+00.00	750+99.93N00'	759.26	770.05
24+25.00	751+24.93N00'	759.21	769.41
24+45.00	751+44.93N00'	759.17	768.89
24+50.00	751+49.93N00'	759.16	768.82
24+75.00	751+74.93N00'	759.07	768.47
25+00.00	751+99.93N00'	758.98	768.13
25+25.00	752+24.93N00'	758.84	767.78
25+50.00	752+49.93N00'	758.71	767.43

WALL ELEVATION TABLE  
WALL STA. 21+25 TO 25+50

- LEGEND
- [C] WALL FACING CONTRACTION JOINT
  - [E] WALL FACING EXPANSION JOINT



ELEVATION

LOOKING WEST AT F.F. OF WALL  
VERTICAL ENLARGEMENT - 2X

NO. 10/6/20 DATE 10/6/20

FOOTINGS/TIEBACK ELEV./STORM SEW. REVISION

BY CAD

STATE OF WISCONSIN DEPARTMENT OF TRANSPORTATION STRUCTURES DESIGN SECTION

STRUCTURE R-40-573

DESIGNED BY WWR PLANS CHECKED BY CAD

GENERAL PLAN SHEET 4

& ELEVATION 4

2305

10/7/20

**TOTAL ESTIMATED QUANTITIES**

BID ITEM NUMBER	BID ITEMS	UNIT	TOTALS
206.3000	EXCAVATION FOR STRUCTURES RETAINING WALLS R-40-573	LS	1,135
502.010.S	CONCRETE MASONRY SOLDIER PILE FOOTINGS	CY	104
502.3200	PROTECTIVE SURFACE TREATMENT	CY	2,127
504.0500	CONCRETE MASONRY RETAINING WALLS	LB	593,855
505.0600	BAR STEEL REINFORCEMENT HS COATED STRUCTURES	EACH	6,147
506.0605	STRUCTURAL STEEL HS	LF	900
506.3010	WELDED STUD SHEAR CONNECTORS 7/8X5-INCH	SF	159
513.2001	RAILING PIPE R-40-573	LF	1
516.0500	RUBBERIZED MEMBRANE WATERPROOFING	SF	34,045
517.0600	PAINTING EPOXY SYSTEM R-40-573	SF	23,715
517.100.S	CONCRETE STAINING R-40-573	EACH	65
517.1050.S	ARCHITECTURAL SURFACE TREATMENT R-40-573	EACH	226
SPV.0060	ANCHOR ASSEMBLIES NOISE BARRIER STRUCTURES R-40-573	EACH	12
SPV.0060	TIEBACK ANCHORS	HRS	25
SPV.0075	TIEBACK ANCHORS PERFORMANCE TESTS	LF	2,150
SPV.0075	OBSTRUCTIONS FOUNDATION DRILLING	LF	9,100
SPV.0090	FOUNDATION DRILLING	LF	860
SPV.0090	PIPE UNDERDRAIN 6-INCH SPECIAL	MBM	81
SPV.0100	FENCE DECORATIVE WALL	SF	24,690
SPV.0165	GEOCOMPOSITE DRAIN BOARD		
	NON-BID ITEMS		
	FILLER	SIZE	

STATE PROJECT NUMBER  
**1060-33-84**

**GENERAL NOTES**

DRAWINGS SHALL NOT BE SCALED.  
 BAR STEEL REINFORCEMENT SHALL BE EMBEDDED 2" CLEAR UNLESS OTHERWISE SHOWN OR NOTED.  
 THE FIRST OR FIRST TWO DIGITS OF THE BAR MARK SIGNIFIES THE BAR SIZE.  
 BEVEL EXPOSED EDGES OF CONCRETE 3/4" UNLESS OTHERWISE SHOWN OR NOTED.  
 ALL DIMENSIONS ARE ALONG THE FRONT FACE OF WALL UNLESS OTHERWISE SHOWN OR NOTED.  
 THE EXISTING GROUND LINE SHALL BE USED AS THE UPPER LIMITS OF "EXCAVATION FOR STRUCTURES RETAINING WALLS R-40-573".  
 THE CONTRACTOR MUST COORDINATE THE CONSTRUCTION OF WALL R-40-573 WITH THE CONSTRUCTION OF THE WEST ABUTMENT OF BRIDGE B-40-879 AND SIGN STRUCTURE S-40-YO.  
 SEE SPECIAL PROVISIONS FOR AESTHETIC TREATMENT TO WALL.

**HORIZONTAL CURVE DATA**

<b>WALL CURVE 1</b>	<b>WALL CURVE 2</b>	<b>WALL CURVE 3</b>
P.I. = 10+22.40	P.I. = 20+00.40	P.I. = 26+66.83
Δ = 8°30'52"	Δ = 14°51'32"	Δ = 3°51'59"
T = 52.40'	T = 86.59'	T = 57.80'
L = 104.72'	L = 173.17'	L = 105.55'
R = 1039.00'	R = 5246.01'	R = 1494.00'
P.C. = 9+70.00	P.C. = 19+13.82	P.C. = 26+09.06
P.T. = 10+74.72	P.T. = 20+86.99	P.T. = 27+24.61

BACKFILL ALL SPACES AT THE BACK FACE AND NOT OCCUPIED BY THE NEW STRUCTURE/ROADWAY WITH FLOWABLE BACKFILL OR CONTROLLED LOW STRENGTH MATERIAL. THE CONTRACTOR SHALL BE RESPONSIBLE FOR THE PROPER PLACEMENT OF THE BACKFILL. WALL CAN REASONABLY BE ACCOMPLISHED AS DETERMINED BY THE ENGINEER. STRUCTURE BACKFILL IN ACCORDANCE WITH SECTION 210 OF THE STANDARD SPECIFICATIONS MAY BE USED AT THE CONTRACTORS OPTION. ALL BACKFILL MATERIAL AND WORK IS INCLUDED IN THE BID ITEM "EXCAVATION FOR STRUCTURES RETAINING WALLS R-40-573".  
 EXISTING STRUCTURES ARE NOT SHOWN IN THESE PLANS. THE REMOVAL OF THESE STRUCTURES IS INCLUDED IN A LUMP SUM PAY ITEM AS PART OF THE B-40-879 BRIDGE QUANTITIES.  
 ALL WALL FACING EXPANSION & CONTRACTION JOINTS.  
 WALL ANCHOR SLAB, COPING & PARAPET EXPANSION JOINTS TO MATCH THE B-40-879 BRIDGE QUANTITIES.  
 THE UTILITY INFORMATION SHOWN ON THESE DRAWINGS CONCERNING TYPE AND LOCATION OF UNDERGROUND UTILITIES IS NOT GUARANTEED TO BE ACCURATE OR ALL-INCLUSIVE. THE CONTRACTOR IS RESPONSIBLE FOR MAKING THEIR OWN DETERMINATION AS TO TYPE AND LOCATION OF UNDERGROUND UTILITIES AS MAY BE NECESSARY TO AVOID DAMAGE.  
 PROTECTIVE SURFACE TREATMENT TO BE APPLIED TO THE TOP HORIZONTAL SURFACE OF COPING ADJACENT TO PARAPETS ONLY.

**Addendum No. 05**  
**ID 1060-33-84**  
**Revised Sheet 2307**  
**October 8, 2020**

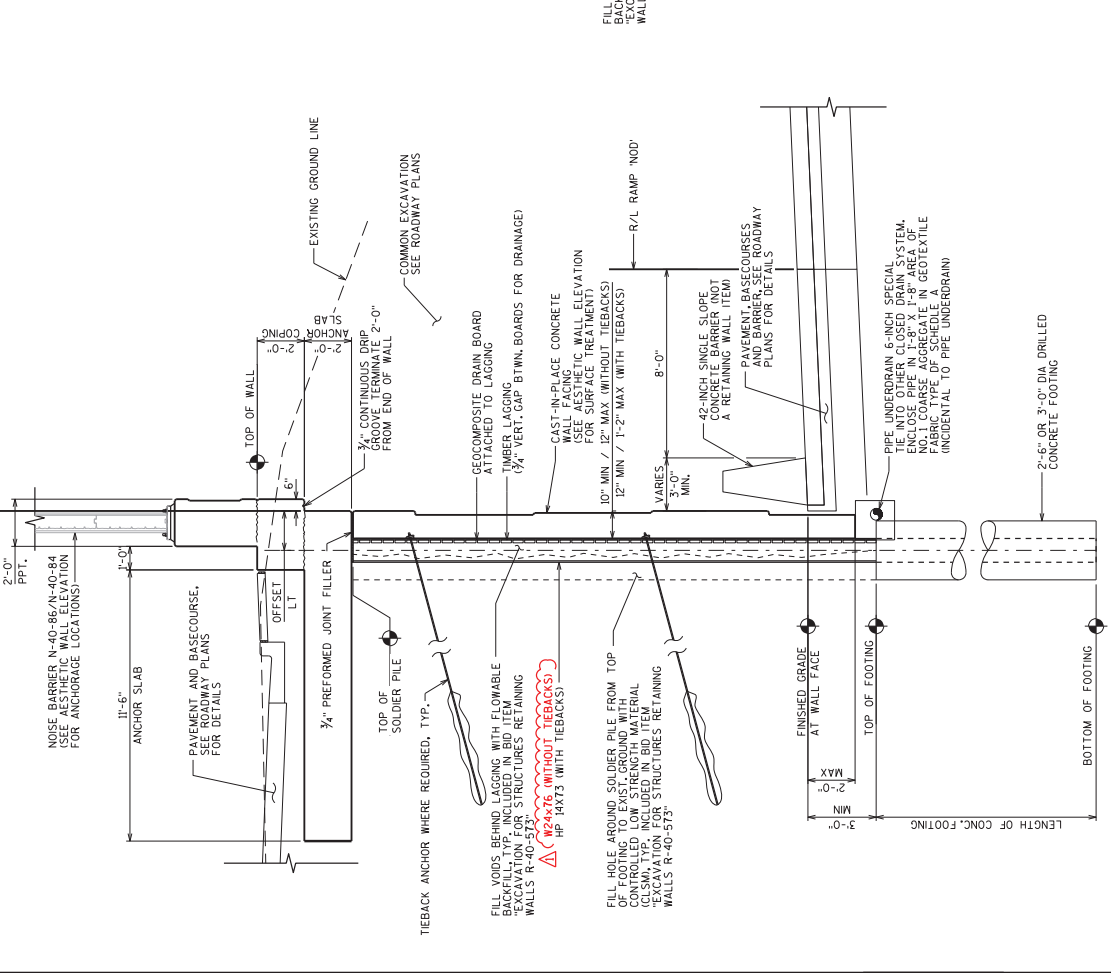
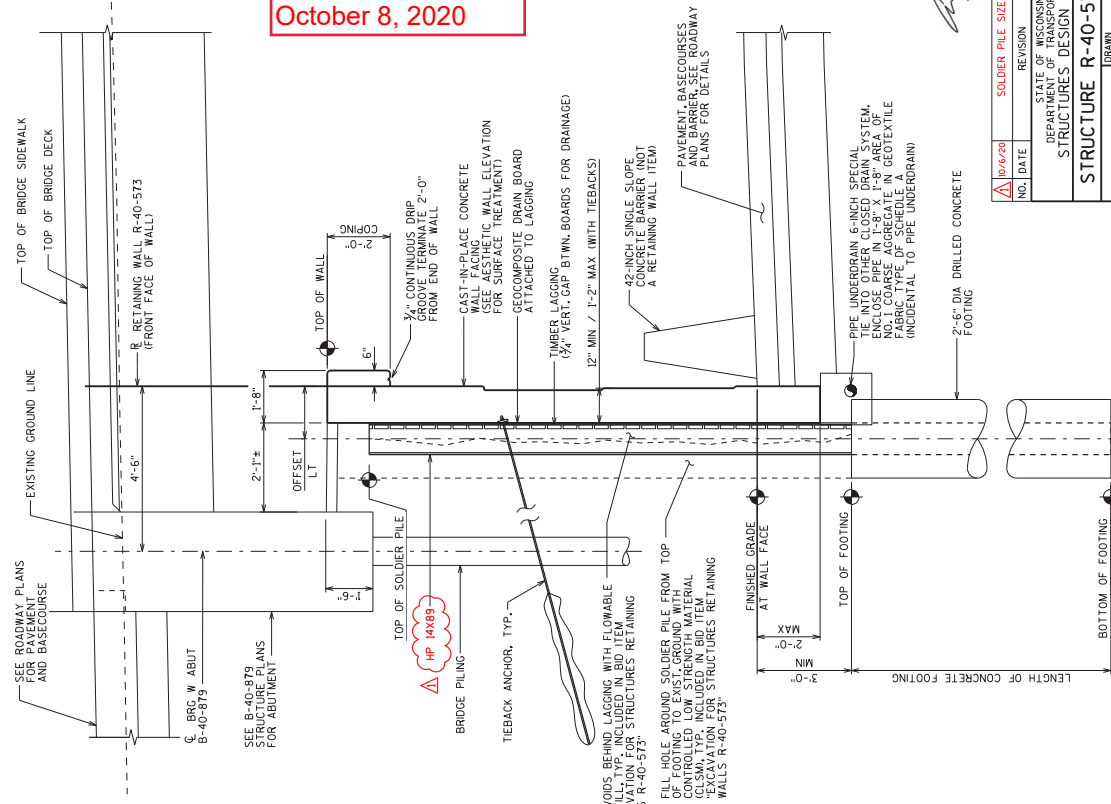
**SOLDIER PILE WALL NOTES**

THE QUANTITY OF CAST-IN-PLACE CONCRETE MASONRY FOR THE SOLDIER PILE WALL COPING, CAST-IN-PLACE CONCRETE TIEBACK ANCHOR SLAB AND PARAPET IS PAID FOR UNDER THE ITEM "CONCRETE MASONRY RETAINING WALLS".  
 THE VOLUME OF EARTHWORK REQUIRED TO INSTALL THE MOMENT SLAB, SOLDIER PILES AND FOOTINGS IS INCLUDED IN THE BID ITEM "EXCAVATION FOR STRUCTURES RETAINING WALLS R-40-573". AFTER WALL SOLDIER PILE CONSTRUCTION HAS BEEN COMPLETED, ALL EARTHWORK IN FRONT OF THE RETAINING WALL IS PAID FOR UNDER THE ROADWAY ITEM "COMMON EXCAVATION". SEE ROADWAY PLAN FOR EXCAVATION LIMITS.  
 FLOWABLE BACKFILL AND CLSM ARE INCLUDED IN THE BID ITEM "EXCAVATION FOR STRUCTURES RETAINING WALLS R-40-573". SEE SPECIAL PROVISIONS FOR DESCRIPTION OF FLOWABLE BACKFILL AND CLSM.  
 SURFACE PREP AND PAINT SOLDIER PILES FROM TOP OF PILE TO 1'-0" BELOW TOP OF FOOTINGS WITH ONE COAT OF PAINT. PAINTERS SPECIFIED IN SECTION 517 OF THE STANDARD SPECIFICATIONS. WELDED STUD SHEAR CONNECTORS ARE NOT REQUIRED TO BE PAINTED. PAINTING OF PILES IS MEASURED AND PAID FOR AS BID ITEM NUMBER 517.0600. PAINTING EPOXY SYSTEM R-40-573.  
 FILL TO TOP OF SHAFT ELEVATION WHERE NEEDED TO PROVIDE WORKING SURFACE. FILL INCIDENTAL TO BID ITEM "CONCRETE MASONRY SOLDIER PILE FOOTINGS".  
 BACKFILL TO A MINIMUM OF 4'-0" BELOW THE TOP OF WALL ELEVATION PRIOR TO STRESSING TIEBACK ANCHORS.  
 BACKFILL INCLUDED IN BID ITEM "EXCAVATION FOR STRUCTURES RETAINING WALLS R-40-573".

*[Signature]*  
 10/17/20

NO.	DATE	ESTIMATED QUANTITIES	CAD
		REVISION	BY
STATE OF WISCONSIN			
DEPARTMENT OF TRANSPORTATION			
STRUCTURES DESIGN SECTION			
STRUCTURE R-40-573			
ISSUED BY	WWR	PLANS CDR.	CAD
GENERAL NOTES			SHEET 6
& QUANTITIES			2307

Addendum No. 05  
ID 1060-33-84  
Revised Sheet 2309  
October 8, 2020



TYPICAL SECTION 3  
LOOKING NORTH  
(WALL STA. 17+50 TO 17+40.8)  
(WALL STA. 20+50.0 TO 20+23.8)

TYPICAL SECTION 4  
LOOKING NORTH  
(WALL STA. 17+14.08 TO 17+72.24)

NO.	DATE	REVISION	BY
10/6/20		SOLDER PILE SIZE	CAD
STATE OF WISCONSIN DEPARTMENT OF TRANSPORTATION STRUCTURES DESIGN SECTION			
STRUCTURE R-40-573		DESIGN BY	CAD
TYPICAL SECTIONS		WDR	PLANS
2		SHEET B	
2309		10/7/20	









STATE PROJECT NUMBER  
1060-33-84

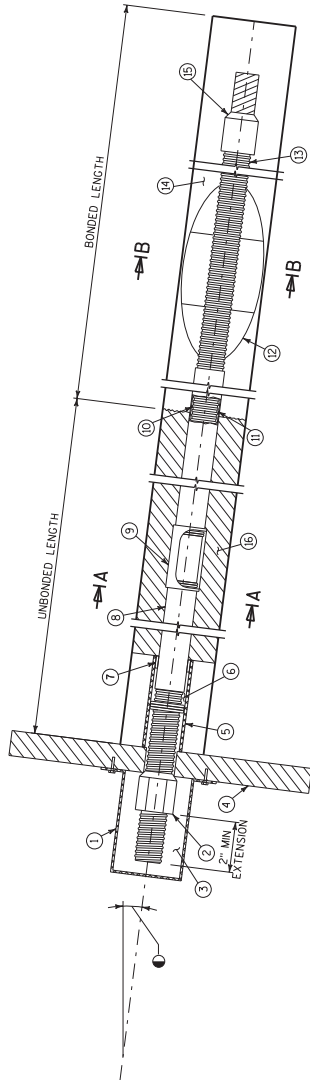
**LEGEND**

1. ANCHORAGE COVER
2. NUT
3. ANTICORROSION GREASE
4. BEARING PLATE
5. TRUMPET
6. ANTICORROSION GREASE
7. SEAL
8. SMOOTH PVC BOND BREAKER
9. PROTECTED BAR COUPLER
10. BAR TENSION
11. ENCAPSULATION GROUT
12. CENTRALIZERS
13. CORRUGATED PVC
14. ANCHOR GROUT
15. END CAP
16. GROUT

\* BEARING PLATE SHALL BE DESIGNED BY THE CONTRACTOR IN ACCORDANCE WITH THE "TIEBACK ANCHORS" SPECIAL PROVISION

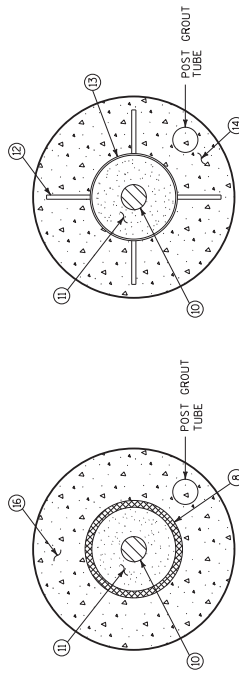
● ANGLE FROM VERTICAL, SEE TIEBACK ANCHOR DATA TABLES.

**NOTE**  
HP 14X73/89 SHALL BE PRE-FABRICATED WITH ANCHORAGE DETAIL SHOWN BEFORE INSTALLATION INTO DRILLED CONCRETE FOOTING. BEARING PLATE, STIFFENERS, HSS 10" DIA. TUBE, PIPE, AND ANCHOR MODIFICATIONS TO THE HP 14X73 ARE INCLUDED IN THE BID ITEM "TIEBACK ANCHORS".



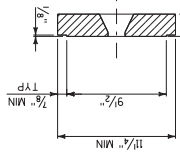
**ENCAPSULATED TIEBACK**

(BAR TENDON SHOWN, PRESTRESSED STEEL TENDONS MAY BE USED AS AN ALTERNATE)

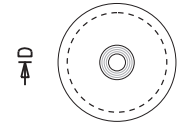


**SECTION A-A**

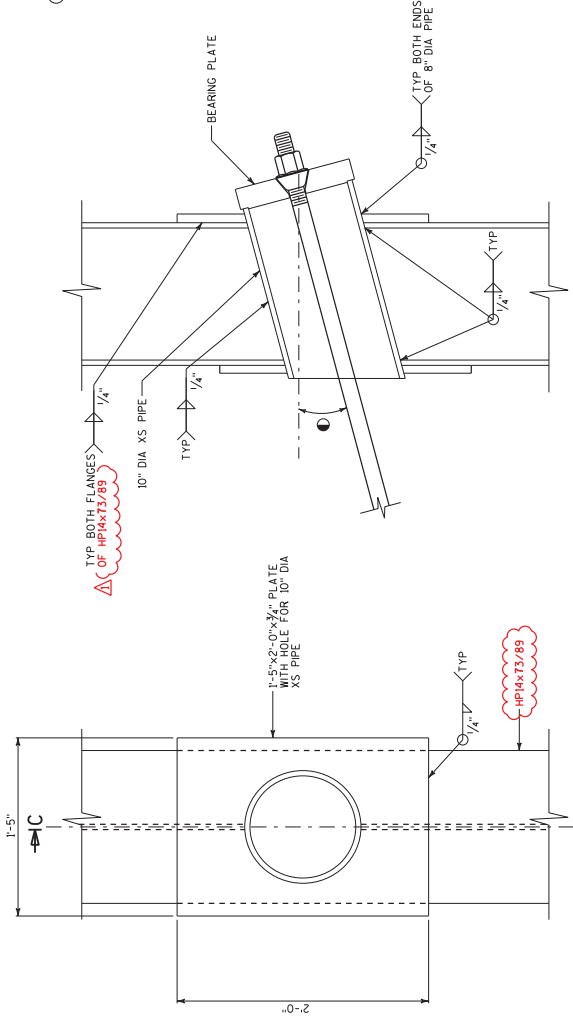
**SECTION B-B**



**SECTION D-D**



**PLAN**



**SECTION C-C**

**SECTION C-C'**

HP 14X73/89 ANCHOR DETAIL  
(BEARING PLATE, TENDON & ANCHOR HEAD NOT SHOWN FOR CLARITY)

Addendum No. 05  
ID 1060-33-84  
Revised Sheet 2315  
October 8, 2020

NO.	DATE	REVISION	BY
10/6/20		HP-PILE SHAPE NOTE	CAD

STATE OF WISCONSIN  
DEPARTMENT OF TRANSPORTATION  
STRUCTURES DESIGN SECTION  
STRUCTURE R-40-573

BY: WWR/CKD  
PLANS: CAD

SHEET 14  
2315

10/7/20





TIEBACK ANCHOR DATA TABLE (CONT.)

PILE NO.	TIEBACK NUMBER	▲ TIEBACK ELEVATION	▲ TIEBACK VERTICAL ORIENTATION (DEGRESS)	**% HORIZONTAL ORIENTATION (DEGRESS)	* ESTIMATED BONDED ANCHOR LENGTH (FT)	MINIMUM UNBONDED ANCHOR LENGTH (FT)	FACTORED DESIGN LOAD (KIPS)	LOCK OFF LOAD (KIPS)	PROOF TEST LOAD (KIPS)
147	132	773.69	15	90	33	17	145	87	166
147	133	766.69	15	90	35	15	150	90	172
148	134	773.71	15	90	33	17	145	87	166
148	135	766.71	15	90	35	15	150	90	172
149	136	773.72	15	90	33	17	145	87	166
149	137	766.72	15	90	35	15	150	90	172
150	138	773.66	15	90	33	17	145	87	166
150	139	766.66	15	90	35	15	150	90	172
151	140	773.60	15	90	33	17	145	87	166
151	141	766.60	15	90	35	15	150	90	172
152	142	773.04	15	90	33	17	145	87	166
152	143	766.04	15	90	35	15	150	78	149
153	144	772.93	15	90	33	16	145	87	166
153	145	765.93	15	90	35	15	150	78	149
154	146	772.80	15	90	33	16	145	87	166
154	147	765.80	15	90	35	15	150	78	149
155	148	772.80	15	90	33	16	145	87	166
155	149	765.80	15	90	35	15	150	78	149
156	150	774.02	15	90	33	16	145	87	166
156	151	767.02	15	90	35	15	150	78	149
157	152	775.32	15	90	25	18	110	66	126
157	153	768.32	15	90	21	18	100	54	103
158	154	775.12	15	90	25	18	110	66	126
158	155	768.12	15	90	21	18	100	54	103
159	156	774.92	15	90	25	18	110	66	126
159	157	767.92	15	90	21	18	100	54	103
160	158	774.66	15	90	25	18	110	66	126
160	159	767.66	15	90	21	18	100	54	103
161	160	774.40	15	90	24	17	105	63	120
161	161	767.40	15	90	24	17	105	63	120
162	162	774.10	15	90	24	17	105	63	120
162	163	767.10	15	90	24	17	105	63	120
163	164	773.79	15	90	24	17	105	63	120
163	165	766.79	15	90	24	17	105	63	120
164	166	773.49	15	90	24	16	105	63	120
164	167	766.49	15	90	24	16	105	63	120
165	168	773.18	15	90	24	16	105	63	120
165	169	766.18	15	90	24	16	105	63	120
166	170	772.87	15	90	24	16	105	63	120
166	171	765.87	15	90	24	16	105	63	120
167	172	772.57	15	90	24	16	105	63	120
167	173	765.57	15	90	24	16	105	63	120
168	174	772.20	15	90	24	16	105	63	120
168	175	765.20	15	90	24	16	105	63	120
169	176	772.81	15	90	24	16	105	63	120
169	177	765.81	15	90	24	16	105	63	120
170	178	771.42	15	90	24	15	105	63	120
170	179	764.42	15	90	24	15	105	63	120
171	180	771.03	15	90	24	15	105	63	120
171	181	764.03	15	90	24	15	105	63	120
172	182	770.64	15	90	24	15	105	63	120
172	183	763.64	15	90	24	15	105	63	120
173	184	770.25	15	90	24	15	105	63	120
173	185	763.25	15	90	24	15	105	63	120
174	186	765.86	15	90	24	15	105	63	120
174	187	762.86	15	90	24	15	105	63	120
175	188	765.47	15	90	24	15	105	63	120
175	189	762.47	15	90	24	15	105	63	120
176	190	765.08	15	90	24	15	105	63	120
176	191	762.08	15	90	24	15	80	48	92

PILE NO.	TIEBACK NUMBER	▲ TIEBACK ELEVATION	▲ TIEBACK VERTICAL ORIENTATION (DEGRESS)	**% HORIZONTAL ORIENTATION (DEGRESS)	* ESTIMATED BONDED ANCHOR LENGTH (FT)	MINIMUM UNBONDED ANCHOR LENGTH (FT)	FACTORED DESIGN LOAD (KIPS)	LOCK OFF LOAD (KIPS)	PROOF TEST LOAD (KIPS)
177	192	768.69	15	90	24	15	105	63	120
177	193	761.69	15	90	19	15	80	48	92
178	194	768.30	15	90	24	15	105	63	120
178	195	761.30	15	90	19	15	80	48	92
179	196	767.91	15	90	24	15	105	63	120
179	197	760.91	15	90	19	15	80	48	92
180	198	767.52	15	90	24	15	105	63	120
180	199	760.52	15	90	19	15	80	48	92
181	200	767.13	15	90	25	15	110	66	126
181	201	766.74	15	90	25	15	110	66	126
183	202	766.35	15	90	25	15	110	66	126
184	203	765.96	15	90	25	15	110	66	126
185	204	765.57	15	90	25	15	110	66	126
186	205	765.18	15	90	15	15	55	33	63
187	206	764.78	15	90	15	15	55	33	63
188	207	764.39	15	90	15	15	55	33	63
189	208	763.99	15	90	15	15	55	33	63
190	209	763.60	15	90	15	15	55	33	63
191	210	764.30	15	90	11	15	45	27	51
192	211	764.11	15	90	11	15	45	27	51
193	212	763.92	15	90	11	15	45	27	51
194	213	763.73	15	90	11	15	45	27	51
195	214	763.54	15	90	11	15	45	27	51
196	215	763.34	15	90	11	15	45	27	51
197	216	763.15	15	90	11	15	45	27	51
198	217	762.95	15	90	11	15	45	27	51
199	218	762.82	15	90	11	15	45	27	51
200	219	762.71	15	90	11	15	45	27	51
201	220	762.61	15	90	11	15	45	27	51
202	221	762.50	15	90	11	15	45	27	51
203	222	762.40	15	90	11	15	45	27	51
204	223	762.30	15	90	11	15	45	27	51
205	224	762.20	15	90	11	15	45	27	51
206	225	762.09	15	90	11	15	45	27	51
207	226	761.99	15	90	11	15	45	27	51

Addendum No. 05  
ID 1060-33-84  
Revised Sheet 2317  
October 8, 2020

LEGEND

- \* ESTIMATED BONDED ANCHOR LENGTH BASED ON ULTIMATE BOND STRESS OF 3000 PSI (PHILLO).
- ▲ ELEVATION GIVEN AT FRONT FACE OF SOLDIER PILE
- \*\* HORIZONTAL ORIENTATION IS MEASURED FROM WALL 1/4" IN COUNTER-CLOCKWISE DIRECTION

10/7/20

10/7/20

NO. DATE DATA TABLE REVISIONS CAD BY

STATE OF WISCONSIN  
DEPARTMENT OF TRANSPORTATION  
STRUCTURES DESIGN SECTION

STRUCTURE R-40-573

TIEBACK ANCHOR DATA TABLE 2

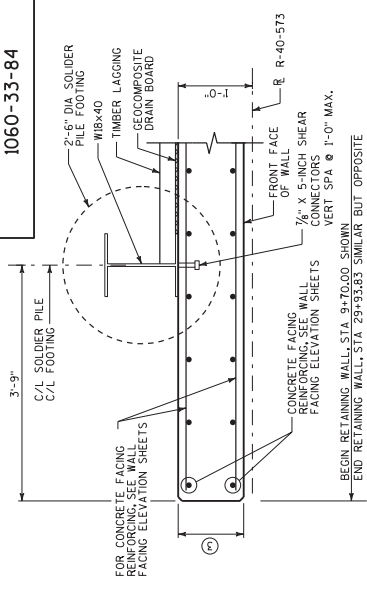
2317

BY: WWR/CAD

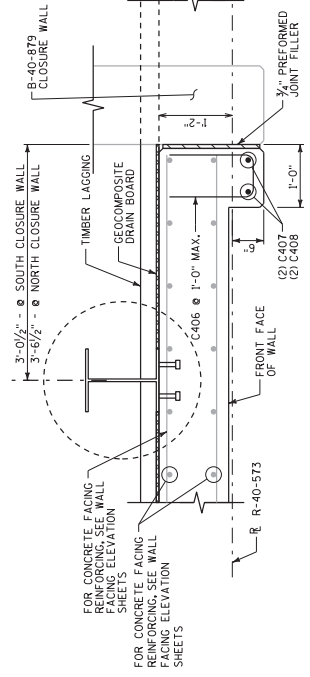
REVISION: SHEET 16



STATE PROJECT NUMBER  
**1060-33-84**



**SECTION AT BEGINNING/END OF WALL**

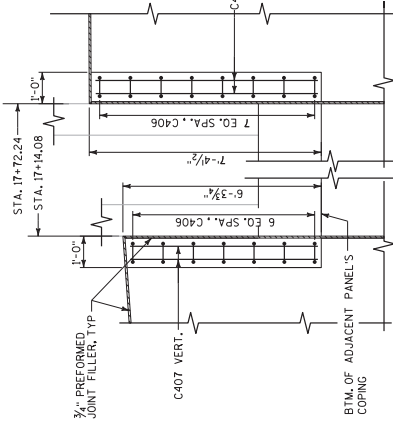


**SECTION AT VERTICAL COPING**

SECTION SHOWN AT SOUTH CLOSURE WALL, SIMILAR/OPPOSITE AT NORTH

**NOTES**

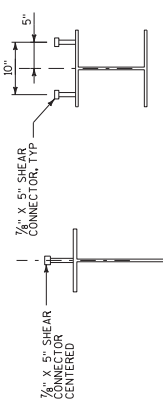
- 1 3/4" DIA. X 1'-6" SMOOTH EPOXY COATED DOWELS PLACED AT 2'-0" CENTERS MIN-DEPTH IN THE WALL DOWELS SHALL BE LIGHTLY COATED WITH A DEROSING SURFACE TREATMENT OVER THE DOWEL ENDS. THE EMBEDMENT INTO ADJACENT WALL DOWELS INCLUDED IN THE BID ITEM "CONCRETE MASONRY RETAINING WALLS".
- 2 4/2" CLEAR FROM MAX WALL THICKNESS
- 3 10" MIN. / 12" MAX.
- 4 SEE AESTHETIC WALL TREATMENT DETAILS SHEET.
- 5 SEE COPING AND WALL ELEVATION SHEETS FOR REINFORCEMENT BAR MARKS.



**VERTICAL COPING DETAIL**  
(ANCHOR SLAB NOT SHOWN FOR CLARITY)

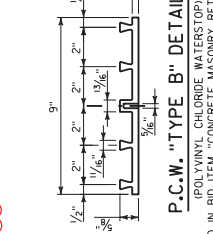
10/7/20

Addendum No. 05  
ID 1060-33-84  
Revised Sheet 2320  
October 8, 2020



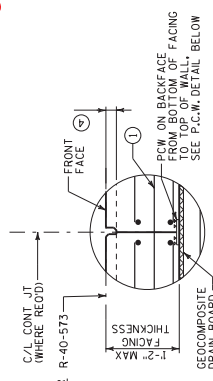
**STUD LAYOUT**  
HP14x73 & HP14x89 (WITH TIEBACKS)

**STUD LAYOUT**  
W18x40, W21x55, W24x76 (WITHOUT TIEBACKS)

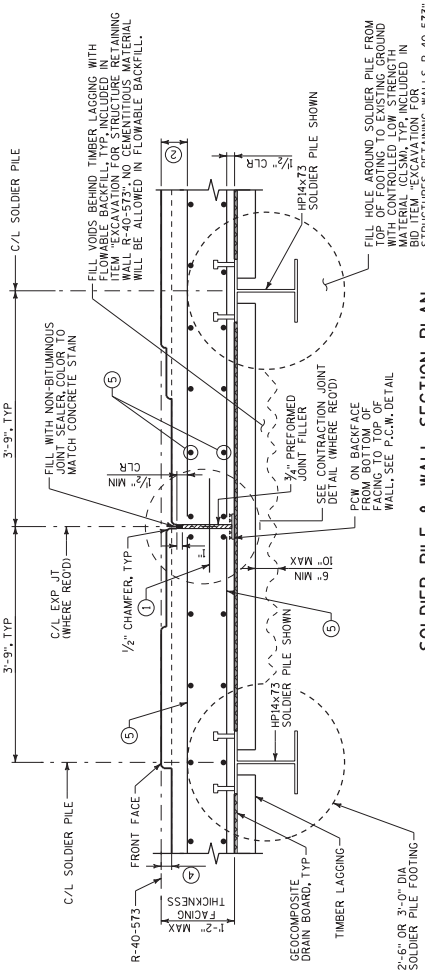


**P.C.W. TYPE B' DETAIL**  
(POLYVINYL CHLORIDE WATERSTOP)

INCLUDED IN BID ITEM "CONCRETE MASONRY RETAINING WALLS"  
P.C.W. SHALL BE BUTT SPICED AT ANY INTERSECTIONS BY USING A HEATED SPlicing IRON-HOLD P.C.W. FLUSH WITH CONCRETE. SEE ALL VERTICAL ENDS OF P.C.W. WITH NON-STAINING BITUMINOUS JOINT SEALER.



**CONTRACTION JOINT DETAIL**



**SOLDIER PILE & WALL SECTION PLAN**

SEE GENERAL PLAN & ELEVATION SHEETS FOR LOCATION OF CONTRACTION & EXPANSION JOINTS

NO.	DATE	REVISION	BY
1	10/6/20	SOLDIER PILE SHAPES	CAD

STATE OF WISCONSIN  
DEPARTMENT OF TRANSPORTATION  
STRUCTURES DESIGN SECTION

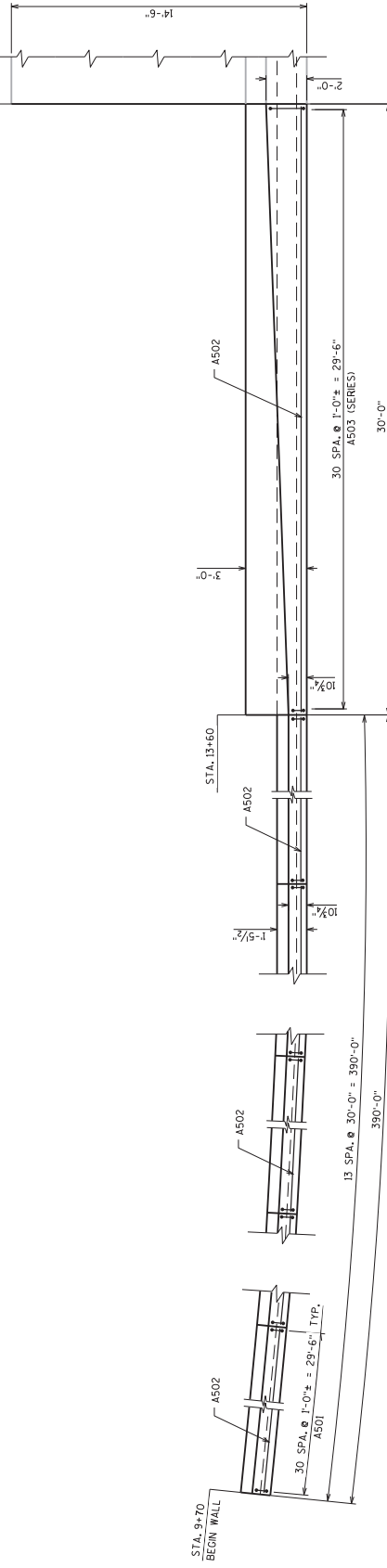
STRUCTURE R-40-573

DESIGNED BY	WWR/CAD
CHECKED BY	WWR/CAD

SHEET 19  
2320

STATE PROJECT NUMBER  
1060+33-84

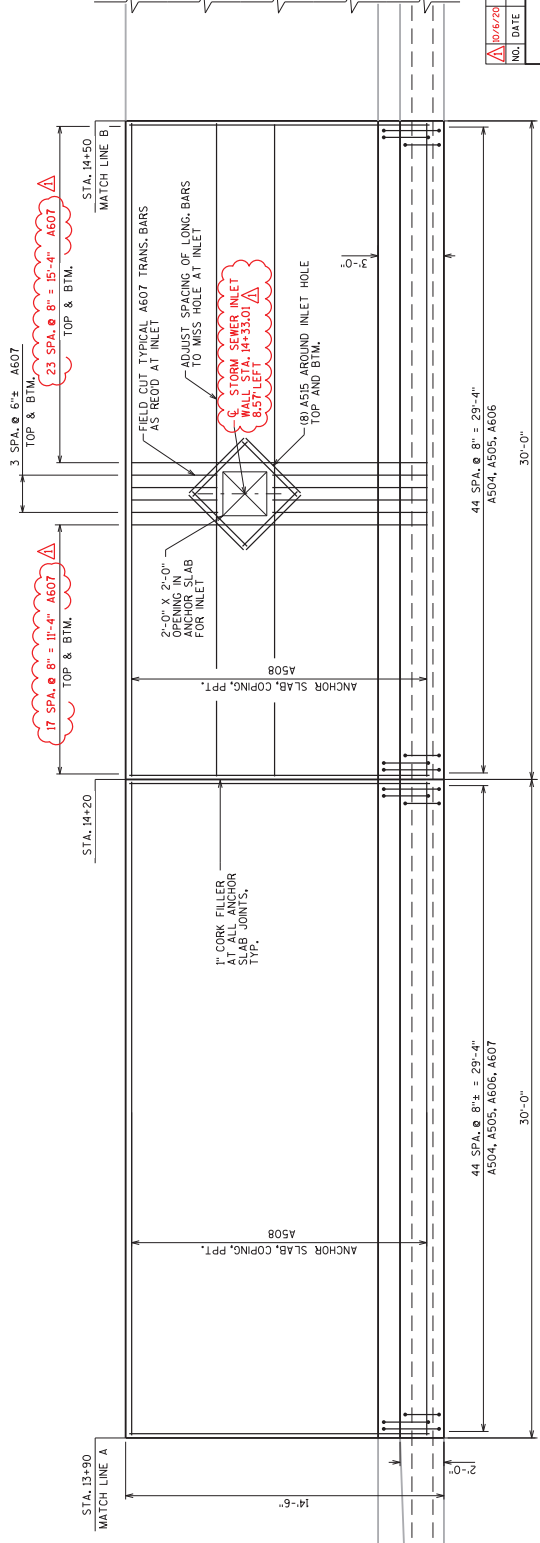
STA. 13+90  
MATCH LINE A



PARTIAL PLAN



Addendum No. 05  
ID 1060-33-84  
Revised Sheet 2328  
October 8, 2020



PARTIAL PLAN



NO.	DATE	REVISION	BY
10/6/20		STORM SEWER INLET LOCATION	CAD

STATE OF WISCONSIN  
DEPARTMENT OF TRANSPORTATION  
STRUCTURES DESIGN SECTION  
STRUCTURE R-40-573

DESIGNED BY: WWR/CED  
CHECKED BY: CAD  
DATE: 10/7/20

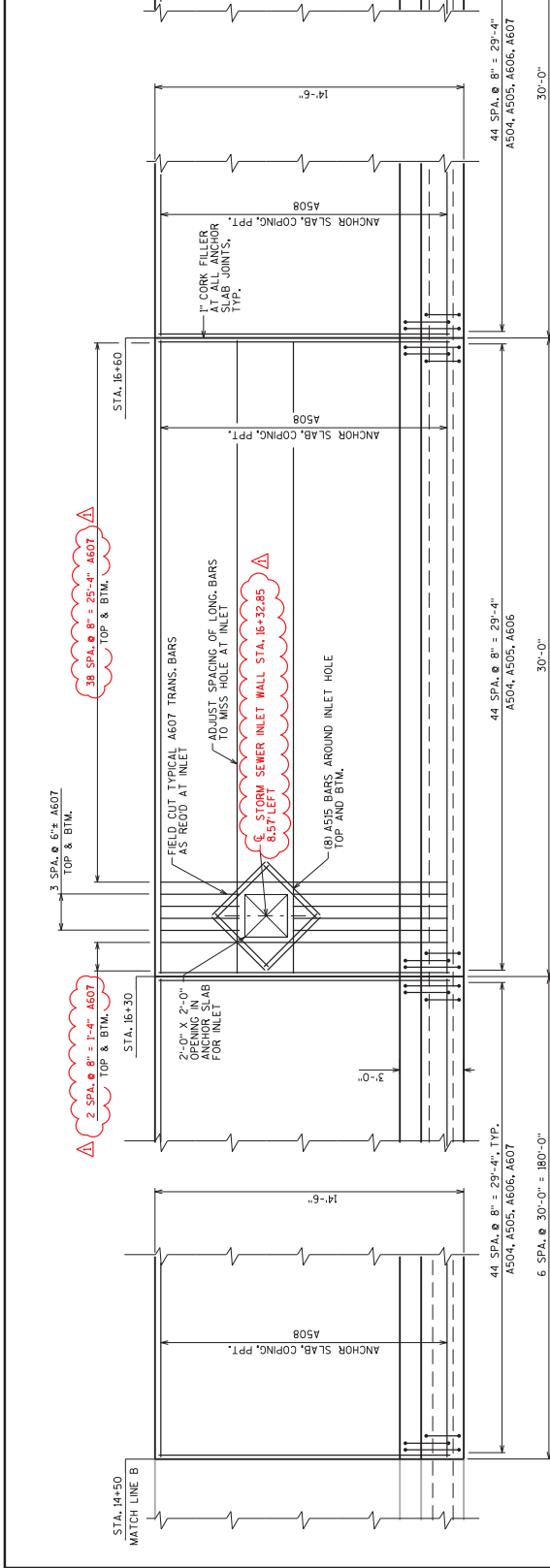
PARAPET AND ANCHOR SLAB DETAILS 1

SHEET 27

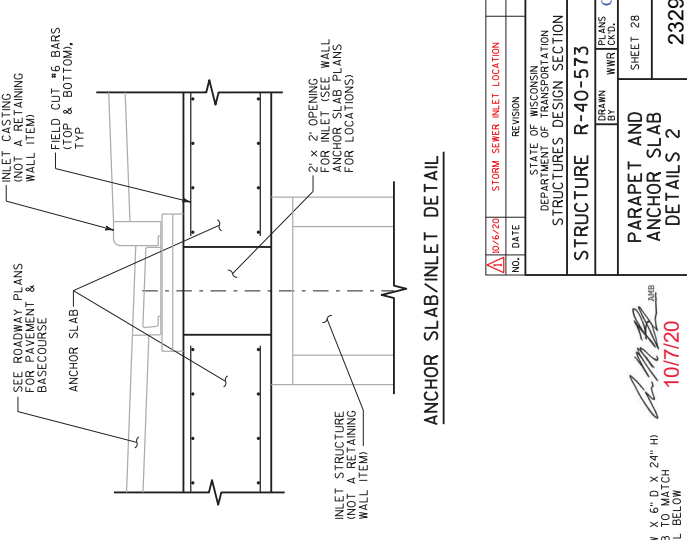
2328

*[Signature]*  
10/7/20

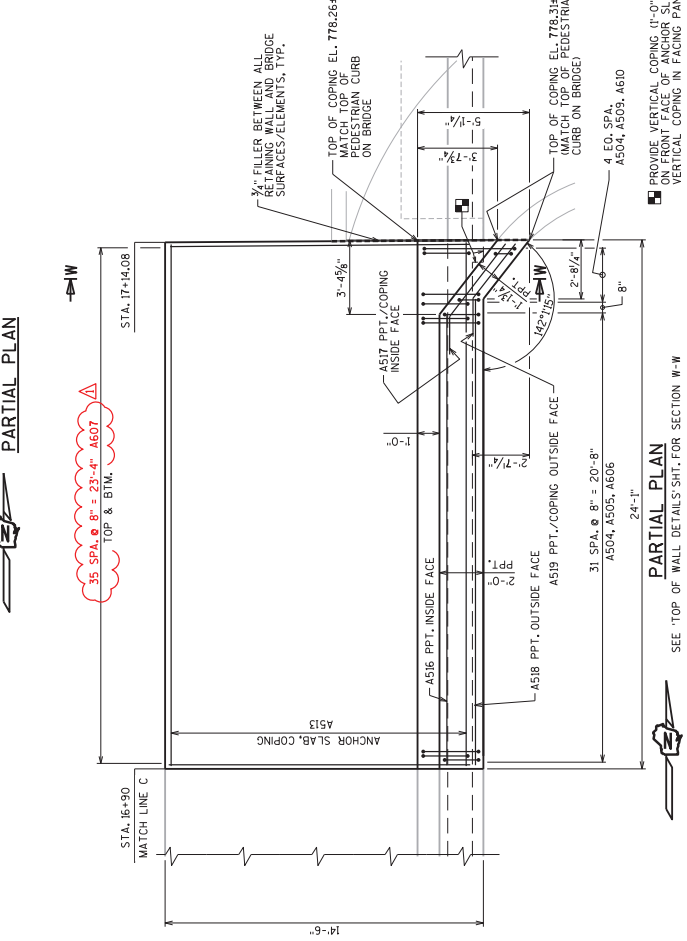
STATE PROJECT NUMBER  
**1060-33-84**



**PARTIAL PLAN**



**ANCHOR SLAB/INLET DETAIL**



**PARTIAL PLAN**



Addendum No. 05  
ID 1060-33-84  
Revised Sheet 2329  
October 8, 2020

NO.	DATE	STORM SEWER INLET LOCATION	CAD
10/16/20			
STATE OF WISCONSIN DEPARTMENT OF TRANSPORTATION STRUCTURES DESIGN SECTION			
STRUCTURE R-40-573			
BY	REVISION	LOCATION	CAD

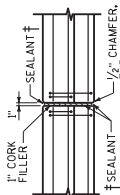
10/17/20  
10/17/20

PARAPET AND ANCHOR SLAB DETAILS 2  
SHEET 28  
2329

PROVIDE VERTICAL COPING (Ø 6" X 24" H) VERTICAL COPING IN FACING PANEL BELOW

SEE TOP OF WALL DETAIL'S SHT. FOR SECTION W-W

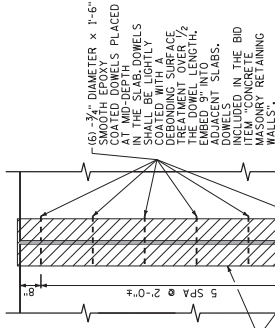
STATE PROJECT NUMBER  
**1060-33-84**



**PARAPET EXPANSION JOINT**

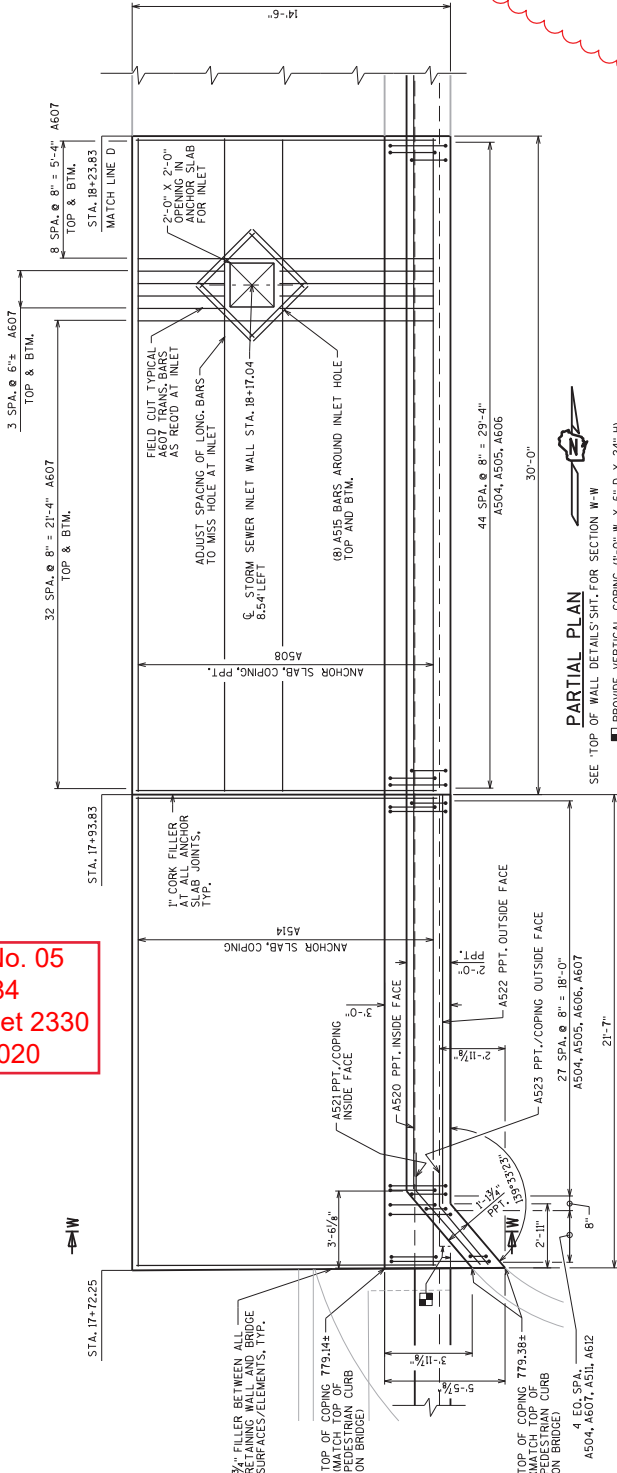
NO NOT RUN BARS THRU JOINT.  
MAY BE USED FOR RETAINING WALLS,  
CONTRACTION AND EXPANSION JOINTS.

1" CORK FILLER WITH NON-BITUMINOUS  
JOINT SEALER. COLOR TO MATCH CONCRETE STAIN.  
1" CORK FILLER WITH NON-BITUMINOUS  
JOINT SEALER. COLOR TO MATCH CONCRETE STAIN.  
CONCRETE SHALL BE EXPOSED SURFACES OF  
PREFORMED JOINT FILLER OR CORK FILLER.



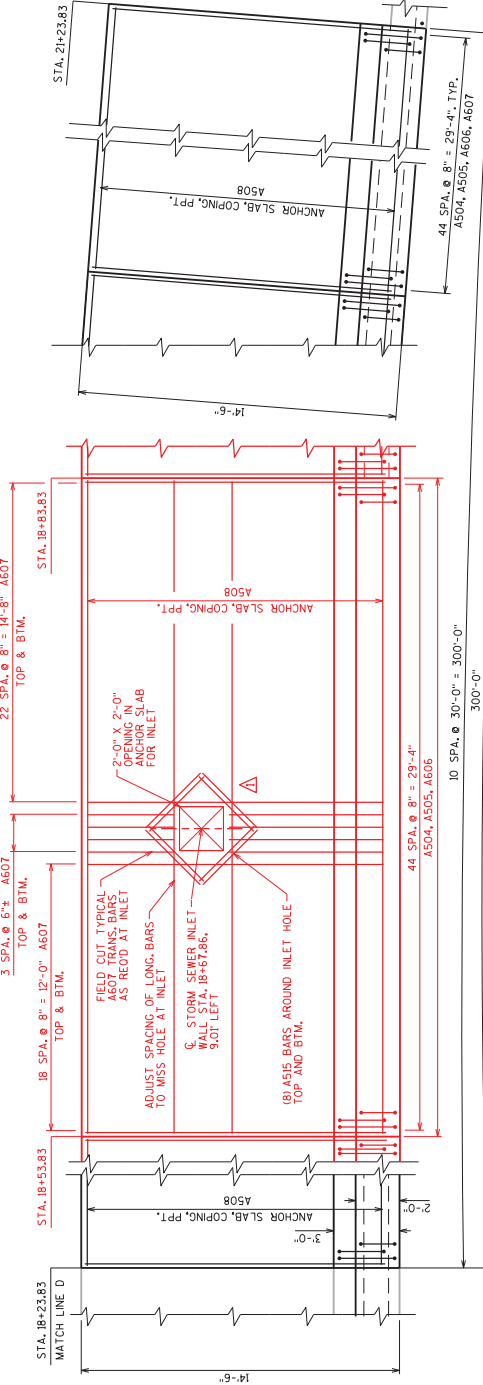
**ANCHOR SLAB EXPANSION JOINT (PLAN VIEW)**

DO NOT RUN BAR STEEL THRU JOINT EXCEPT FOR DOWEL BARS AS SHOWN.  
FOR LOCATION OF JOINTS SEE GENERAL PLAN AND ELEVATION SHEETS.  
LOCATED AT ALL WALL FACING CONTRACTION AND EXPANSION JOINTS.



**PARTIAL PLAN**

SEE 'TOP OF WALL DETAILS' SHIT. FOR SECTION W-W  
PROVIDE VERTICAL COPING (1'-0" W X 6" D X 24" H)  
TO BE LOCATED AT ALL JOINTS  
VERTICAL COPING IN FACING PANEL BELOW



**PARTIAL PLAN**

Addendum No. 05  
ID 1060-33-84  
Revised Sheet 2330  
October 8, 2020

10/17/20

NO. 10/16/20	DATE	STORM SEWER INLET LOCATION	CAD
NO. 10/16/20	DATE	REVISION	BY
STATE OF WISCONSIN DEPARTMENT OF TRANSPORTATION STRUCTURES DESIGN SECTION			
STRUCTURE R-40-573			
BY	BRN	FRANS	CAD
BY	WRR	FRANS	CAD
PARAPET AND ANCHOR SLAB DETAILS 3			SHEET 29
			2330

TIEBACK ANCHOR DATA TABLE

PILE NO.	TIEBACK NUMBER	TIEBACK ELEVATION	TIEBACK ORIENTATION (DEGREE)	TIEBACK ORIENTATION (DEGREE)	** TIEBACK ORIENTATION (DEGREE)	** TIEBACK ORIENTATION (DEGREE)	* ESTIMATED ANCHOR LENGTH (FT)	MINIMUM UNBONDED ANCHOR LENGTH (FT)	FACTORED DESIGN LOAD (KIPS)	LOCK OFF LOAD (KIPS)	PROOF TEST (KIPS)
108	132	765.88	15	90	90	27	15	115	69	132	
109	133	765.88	15	90	90	27	15	115	69	132	
110	134	765.88	15	90	90	27	15	115	69	132	
111	135	765.88	15	90	90	27	15	115	69	132	
112	136	768.46	30	90	90	30	15	130	104	149	
113	137	762.46	30	90	90	30	15	130	104	149	
114	138	767.97	30	90	90	30	15	130	104	149	
115	139	761.97	30	90	90	30	15	130	104	149	
116	140	767.48	30	95	95	30	15	130	104	149	
117	141	761.48	30	95	95	30	15	130	104	149	
118	142	766.99	30	92.5	92.5	30	15	130	104	149	
119	143	760.99	30	92.5	92.5	30	15	130	104	149	
120	144	766.50	30	90	90	30	15	130	104	149	
121	145	760.50	30	90	90	30	15	130	104	149	
122	146	766.01	30	90	90	30	15	130	104	149	
123	147	760.01	30	90	90	30	15	130	104	149	
124	148	765.52	30	90	90	30	15	130	104	149	
125	149	759.52	30	90	90	30	15	130	104	149	
126	150	765.03	30	90	90	30	15	130	104	149	
127	151	759.03	30	90	90	30	15	130	104	149	
128	152	764.54	30	90	90	30	15	130	104	149	
129	153	764.05	30	90	90	30	15	130	104	149	
130	154	768.05	30	90	90	30	15	130	104	149	
131	155	768.05	30	90	90	30	15	130	104	149	
132	156	765.03	30	90	90	25	15	110	88	126	
133	157	764.56	30	90	90	25	15	110	88	126	
134	158	764.07	30	90	90	25	15	110	88	126	
135	159	763.58	30	90	90	25	15	110	88	126	
136	160	763.09	30	90	90	24	15	105	84	120	
137	161	762.60	30	90	90	24	15	105	84	120	
138	162	762.14	30	90	90	24	15	105	84	120	
139	163	761.72	30	90	90	24	15	105	84	120	
140	164	761.30	30	90	90	24	15	105	84	120	
141	165	760.88	30	90	90	24	15	105	84	120	
142	166	760.45	30	90	90	24	15	105	84	120	
143	167	760.03	30	90	90	24	15	105	84	120	
144	168	759.61	30	90	90	24	15	105	84	120	
145	169	762.18	15	90	90	24	15	105	84	120	
146	170	761.76	15	90	90	24	15	105	84	120	
147	171	761.34	15	90	90	24	15	105	84	120	
148	172	760.91	15	90	90	24	15	105	84	120	
149	173	760.49	15	90	90	24	15	105	84	120	
150	174	760.07	15	90	90	24	15	105	84	120	
151	175	760.25	15	90	90	24	15	105	84	120	
152	176	759.46	15	90	90	24	15	105	84	120	

LEGEND

- \* ESTIMATED BONDED ANCHOR LENGTH BASED ON 8" DIA. ANCHOR AND AN ASSUMED UNIFORM, ULTIMATE BOND STRESS OF 2.0 KSI (F<sub>HI</sub>-L<sub>O</sub>).
- MINIMUM BONDED ANCHOR LENGTH = 15'-0"
- ELEVATION GIVEN AT FRONT FACE OF SOLDIER PILE
- \*\* HORIZONTAL ORIENTATION IS MEASURED FROM WALL 'X/L' IN COUNTER-CLOCKWISE DIRECTION

Addendum No. 05  
ID 1060-33-84  
Revised Sheet 2352  
October 8, 2020

10/16/20	TIEBACK LOADS	CAD
9/18/20	TIEBACK LOADS	CAD
NO. DATE	REVISION	BY
STATE OF WISCONSIN DEPARTMENT OF TRANSPORTATION STRUCTURES DESIGN SECTION		
STRUCTURE R-40-576		
DESIGNED BY	CHECKED BY	CAD
TIEBACK ANCHOR DATA TABLE 2		SHEET 12
		2352

*[Signature]*  
10/7/20

Addendum No. 05  
ID 1100-18-73  
Added Sheet 140A  
October 8, 2020

PAVEMENT MARKING ITEMS

CATEGORY	LOCATION	646.9010		SPV.0060.0405		SPV.0090.0405		SPV.0090.0406		SPV.0090.0414		SPV.0090.0415	
		MARKING REMOVAL LINE 4-INCH	REMOVAL LINE 4-INCH	REMOVE GROOVED IN PAVEMENT MARKING THERMOPLASTIC ARROWS AND WORDS	REMOVE GROOVED IN PAVEMENT MARKING 12-INCH	REMOVE PAVEMENT MARKING 24-INCH	REMOVE PAVEMENT MARKING GROOVED CONTRAST TAPE 4-INCH	REMOVE PAVEMENT MARKING GROOVED CONTRAST TAPE 8-INCH	LF	LF	LF	LF	LF
1000	B-40-777 PHASE 1	440	-	-	-	-	-	-	-	-	-	-	-
	B-40-778 PHASE 1	460	-	-	-	-	-	-	-	-	-	-	-
	B-40-781 PHASE 1	471	-	-	-	-	-	-	-	-	-	-	-
	B-40-782 PHASE 1	506	-	-	-	-	-	-	-	-	-	-	-
	B-40-788, B-40-790, B-40-797 PHASE 1	482	-	-	102	-	102	-	-	121	-	-	-
	B-40-788, B-40-790, B-40-797 PHASE 2	482	-	-	115	-	115	-	-	121	-	69	-
	B-40-789, B-40-791, B-40-798 PHASE 1	482	-	1	103	-	103	-	-	120	-	-	69
	B-40-789, B-40-791, B-40-798 PHASE 2	481	-	-	85	-	85	-	-	121	-	-	-
	B-40-795, B-40-859 PHASE 1	414	-	-	-	-	-	-	-	-	-	-	-
	B-40-796 PHASE 1	102	-	-	17	-	17	-	-	-	-	-	-
	B-40-796 PHASE 2	102	-	-	-	-	-	-	26	-	-	-	-
	B-40-799, B-40-860 PHASE 1	374	-	-	-	-	-	-	-	-	-	-	-
	B-40-849 PHASE 1	83	-	-	-	-	-	39	-	-	-	-	-
	B-40-849 PHASE 2	84	-	-	-	-	-	-	-	21	-	167	-
	B-40-851, B-40-861 PHASE 1	1,455	-	-	-	-	-	-	-	-	-	-	-
	B-40-857 PHASE 1	341	-	-	-	-	-	-	-	-	-	-	-
	B-40-857 PHASE 2	341	-	-	-	-	-	-	-	85	-	865	-
	B-40-863 PHASE 1	134	-	-	25	-	25	-	-	34	-	-	-
	B-40-863 PHASE 2	134	-	-	18	-	18	-	-	34	-	34	-
	B-40-864 PHASE 1	134	-	-	36	-	36	-	-	68	-	-	-
	B-40-864 PHASE 2	134	-	-	25	-	25	-	-	67	-	-	-
	B-40-869 PHASE 1	316	-	-	102	-	102	-	-	78	-	-	-
	B-40-869 PHASE 2	300	-	2	-	-	-	-	-	164	-	-	-
	B-40-870 PHASE 1	333	-	-	135	-	135	-	-	85	-	86	-
	B-40-870 PHASE 2	358	-	-	-	-	-	-	-	175	-	-	-

(CONTINUED ON NEXT SHEET)



Addendum No. 05  
ID 1100-18-73  
Added Sheet 140B  
October 8, 2020

PAVEMENT MARKING ITEMS (CONTINUED)

CATEGORY	LOCATION	646.9010		SPV.0060.0405		SPV.0090.0405		SPV.0090.0406		SPV.0090.0414		SPV.0090.0415	
		MARKING REMOVAL LINE WATER BLASTING 4-INCH LF	REMOVE GROOVED IN PAVEMENT MARKING THERMOPLASTIC ARROWS AND WORDS EACH	REMOVE PAVEMENT MARKING 12-INCH LF	REMOVE PAVEMENT MARKING 24-INCH LF	REMOVE PAVEMENT MARKING GROOVED CONTRAST TAPE 4-INCH LF	REMOVE PAVEMENT MARKING GROOVED CONTRAST TAPE 8-INCH LF						
1000	B-40-871, B-40-873, PHASE 1	411	-	170	-	103	-	-	-	-	-	-	-
	B-40-871, B-40-873, PHASE 2	411	-	68	-	206	-	-	-	-	-	-	-
	B-40-872, B-40-874, PHASE 1	411	-	170	-	103	-	-	-	-	-	-	-
	B-40-872, B-40-874, PHASE 2	411	-	85	-	206	-	-	-	-	-	-	-
	B-40-882, PHASE 1	200	-	34	-	100	-	-	-	-	-	-	-
	B-40-882, PHASE 2	200	-	-	-	50	-	-	-	-	-	50	-
	B-40-883, PHASE 1	201	-	34	-	100	-	-	-	-	-	-	-
	B-40-883, PHASE 2	201	-	-	-	100	-	-	-	-	-	-	-
	B-40-891, PHASE 1	136	-	-	-	-	-	-	-	-	-	-	-
SUBTOTALS		11,525	3	1,324	39	2,288	39	2,288	1,340				
TOTALS		11,525	3	1,324	39	2,288	39	2,288	1,340				



## Proposal Schedule of Items

Proposal ID: 20201013001 Project(s): 1060-33-84, 1060-34-77, 1100-18-73, 1100-18-76  
 Federal ID(s): WISC 2020466, N/A, WISC 2021001, WISC 2020467

SECTION: 0001 Contract Items

Alt Set ID: Alt Mbr ID:

Proposal Line Number	Item ID Description	Approximate Quantity and Units	Unit Price	Bid Amount
0226	502.0110.S Concrete Masonry Soldier Pile Footings	1,741.000 CY	_____.	_____.
0228	502.3101 Expansion Device	332.000 LF	_____.	_____.
0230	502.3111.S Expansion Device Modular	54.000 LF	_____.	_____.
0232	502.3200 Protective Surface Treatment	4,653.000 SY	_____.	_____.
0234	502.3210 Pigmented Surface Sealer	4,264.000 SY	_____.	_____.
0236	502.4205 Adhesive Anchors No. 5 Bar	1,073.000 EACH	_____.	_____.
0238	502.4207 Adhesive Anchors No. 7 Bar	136.000 EACH	_____.	_____.
0240	503.0137 Prestressed Girder Type I 36W-Inch	11,675.000 LF	_____.	_____.
0242	503.0155 Prestressed Girder Type I 54W-Inch	15,942.000 LF	_____.	_____.
0244	504.0500 Concrete Masonry Retaining Walls	5,891.000 CY	_____.	_____.
0246	505.0400 Bar Steel Reinforcement HS Structures	1,991,815.000 LB	_____.	_____.
0248	505.0600 Bar Steel Reinforcement HS Coated Structures	3,445,605.000 LB	_____.	_____.
0250	505.0800.S Bar Steel Reinforcement HS Stainless Structures	12,204.000 LB	_____.	_____.
0252	505.0904 Bar Couplers No. 4	39.000 EACH	_____.	_____.
0254	505.0905 Bar Couplers No. 5	120.000 EACH	_____.	_____.
0256	505.0906 Bar Couplers No. 6	8.000 EACH	_____.	_____.



Proposal Schedule of Items

Proposal ID: 20201013001 Project(s): 1060-33-84, 1060-34-77, 1100-18-73, 1100-18-76  
 Federal ID(s): WISC 2020466, N/A, WISC 2021001, WISC 2020467

SECTION: 0001 Contract Items

Alt Set ID: Alt Mbr ID:

Proposal Line Number	Item ID Description	Approximate Quantity and Units	Unit Price	Bid Amount
0258	505.0908 Bar Couplers No. 8	24.000 EACH	_____.	_____.
0260	505.0910 Bar Couplers No. 10	126.000 EACH	_____.	_____.
0262	505.0911 Bar Couplers No. 11	550.000 EACH	_____.	_____.
0264	506.0105 Structural Steel Carbon	55,499.000 LB	_____.	_____.
0266	506.0605 Structural Steel HS	4,966,017.000 LB	_____.	_____.
0268	506.2605 Bearing Pads Elastomeric Non-Laminated	392.000 EACH	_____.	_____.
0270	506.2610 Bearing Pads Elastomeric Laminated	112.000 EACH	_____.	_____.
0272	506.3004 Welded Stud Shear Connectors 3/4x4-Inch	176.000 EACH	_____.	_____.
0274	506.3010 Welded Stud Shear Connectors 7/8x5-Inch	13,093.000 EACH	_____.	_____.
0276	506.3020 Welded Stud Shear Connectors 7/8x7-Inch	6,720.000 EACH	_____.	_____.
0278	506.4000 Steel Diaphragms (structure) 0002. B-40-792	9.000 EACH	_____.	_____.
0280	506.4000 Steel Diaphragms (structure) 0003. B-40-793	21.000 EACH	_____.	_____.
0282	506.4000 Steel Diaphragms (structure) 0004. B-40-794	24.000 EACH	_____.	_____.
0284	506.4000 Steel Diaphragms (structure) 0005. B-40-875	192.000 EACH	_____.	_____.



Proposal Schedule of Items

Proposal ID: 20201013001 Project(s): 1060-33-84, 1060-34-77, 1100-18-73, 1100-18-76  
 Federal ID(s): WISC 2020466, N/A, WISC 2021001, WISC 2020467

SECTION: 0001 Contract Items

Alt Set ID: Alt Mbr ID:

Proposal Line Number	Item ID Description	Approximate Quantity and Units	Unit Price	Bid Amount
0952	646.8220 Marking Island Nose Epoxy	19.000 EACH	_____.	_____.
0954	646.8320 Marking Parking Stall Epoxy	152.000 LF	_____.	_____.
0956	646.9000 Marking Removal Line 4-Inch	120,000.000 LF	_____.	_____.
0958	646.9010 Marking Removal Line Water Blasting 4-Inch	99,799.000 LF	_____.	_____.
0960	646.9310 Marking Removal Special Marking Water Blasting	2.000 EACH	_____.	_____.
0962	649.0105 Temporary Marking Line Paint 4-Inch	19,000.000 LF	_____.	_____.
0964	649.0120 Temporary Marking Line Epoxy 4-Inch	360,000.000 LF	_____.	_____.
0966	649.0150 Temporary Marking Line Removable Tape 4-Inch	53,301.000 LF	_____.	_____.
0968	649.0205 Temporary Marking Line Paint 8-Inch	675.000 LF	_____.	_____.
0970	649.0220 Temporary Marking Line Epoxy 8-Inch	13,500.000 LF	_____.	_____.
0972	649.0250 Temporary Marking Line Removable Tape 8-Inch	5,898.000 LF	_____.	_____.
0974	649.0520 Temporary Marking Arrow Epoxy	10.000 EACH	_____.	_____.
0976	649.0760 Temporary Marking Raised Pavement Marker Type I	100.000 EACH	_____.	_____.
0978	652.0125 Conduit Rigid Metallic 2-Inch	1,203.000 LF	_____.	_____.
0980	652.0135 Conduit Rigid Metallic 3-Inch	28.000 LF	_____.	_____.



Proposal Schedule of Items

Proposal ID: 20201013001 Project(s): 1060-33-84, 1060-34-77, 1100-18-73, 1100-18-76  
Federal ID(s): WISC 2020466, N/A, WISC 2021001, WISC 2020467

SECTION: 0001 Contract Items

Alt Set ID: Alt Mbr ID:

Proposal Line Number	Item ID Description	Approximate Quantity and Units	Unit Price	Bid Amount
1278	SPV.0060 Special 0130. Cross Stitching Longitudinal Joints and Cracks	700.000 EACH	_____.	_____.
1280	SPV.0060 Special 0150. Crack and Damage Survey Single or Double Unit Residential	43.000 EACH	_____.	_____.
1282	SPV.0060 Special 0155. Crack and Damage Survey Multi-Unit Residential	5.000 EACH	_____.	_____.
1284	SPV.0060 Special 0160. Crack and Damage Survey Commercial Public or Industrial	5.000 EACH	_____.	_____.
1286	SPV.0060 Special 0165. Maintain and Salvage Crash Cushions Temporary Left in Place	3.000 EACH	_____.	_____.
1288	SPV.0060 Special 0400. Marking Contrast Epoxy Special Marking Arrow	10.000 EACH	_____.	_____.
1290	SPV.0060 Special 0405. Remove Grooved In Pavement Marking Thermoplastic Arrows And Words	42.000 EACH	_____.	_____.
1292	SPV.0060 Special 0601. Baseline CPM Progress Schedule	1.000 EACH	_____.	_____.
1294	SPV.0060 Special 0602. Monthly CPM Progress Schedule Updates	32.000 EACH	_____.	_____.
1296	SPV.0060 Special 0603. Exposing Existing Infrastructure Paved Area	15.000 EACH	_____.	_____.
1298	SPV.0060 Special 0604. Exposing Existing Infrastructure Unpaved Area	15.000 EACH	_____.	_____.
1300	SPV.0060 Special 0910. Traffic Control Close-Open Freeway Entrance Ramp	449.000 EACH	_____.	_____.
1302	SPV.0060 Special 0916. Traffic Control Local Road Lane Closures	435.000 EACH	_____.	_____.



Proposal Schedule of Items

Proposal ID: 20201013001 Project(s): 1060-33-84, 1060-34-77, 1100-18-73, 1100-18-76  
 Federal ID(s): WISC 2020466, N/A, WISC 2021001, WISC 2020467

SECTION: 0001 Contract Items

Alt Set ID: Alt Mbr ID:

Proposal Line Number	Item ID Description	Approximate Quantity and Units	Unit Price	Bid Amount
1574	SPV.0090 Special 0401. Marking Contrast Epoxy 8-Inch	8,895.000 LF	_____.	_____.
1576	SPV.0090 Special 0405. Remove Pavement Marking 12-Inch	1,420.000 LF	_____.	_____.
1578	SPV.0090 Special 0410. Remove Grooved In Pavement Marking Thermoplastic Stop Bar	438.000 LF	_____.	_____.
1580	SPV.0090 Special 0414. Remove Pavement Marking Grooved Tape 4-Inch	3,667.000 LF	_____.	_____.
1582	SPV.0090 Special 0415. Remove Pavement Marking Grooved Tape 8-Inch	3,208.000 LF	_____.	_____.
1584	SPV.0090 Special 0600. Salvage Temporary Precast Concrete Barrier Left in Place	1,400.000 LF	_____.	_____.
1586	SPV.0090 Special 0800. Remove and Dispose of UPRR Track	6,142.000 LF	_____.	_____.
1588	SPV.0090 Special 0805. Construct 136LB ISHH CWR on Wood Ties	6,159.000 LF	_____.	_____.
1590	SPV.0090 Special 0810. Construct Double Inside Guard Rail	660.000 LF	_____.	_____.
1592	SPV.0090 Special 0900. Fence Temporary 6-FT	8,775.000 LF	_____.	_____.
1594	SPV.0090 Special 0910. Glare Screens Temporary	11,450.000 LF	_____.	_____.
1596	SPV.0090 Special 0920. Concrete Barrier Temporary Precast Anchoring	2,400.000 LF	_____.	_____.
1598	SPV.0090 Special 0925. Concrete Barrier Temporary Precast Anchored on Bridge	3,200.000 LF	_____.	_____.



Proposal Schedule of Items

Proposal ID: 20201013001 Project(s): 1060-33-84, 1060-34-77, 1100-18-73, 1100-18-76  
 Federal ID(s): WISC 2020466, N/A, WISC 2021001, WISC 2020467

SECTION: 0001 Contract Items

Alt Set ID: Alt Mbr ID:

Proposal Line Number	Item ID Description	Approximate Quantity and Units	Unit Price	Bid Amount
1600	SPV.0090 Special 1001. Cable Aerial Aluminum 6 AWG Triplex	1,100.000 LF	_____.	_____.
1602	SPV.0090 Special 1002. Cable Aerial Aluminum 4 AWG Triplex	5,470.000 LF	_____.	_____.
1604	SPV.0090 Special 1003. Cable Aerial Aluminum 2 AWG Triplex	1,930.000 LF	_____.	_____.
1606	SPV.0090 Special 4008. Piling Steel HP 14-Inch X 89LB	1,500.000 LF	_____.	_____.
1608	SPV.0090 Special 4009. Piling Steel HP 14-Inch x 117 LB	1,500.000 LF	_____.	_____.
1610	SPV.0090 Special 4028. Drilled Foundation Shaft 59.06-Inch	211.000 LF	_____.	_____.
1612	SPV.0090 Special 4035. Foundation Drilling	14,575.000 LF	_____.	_____.
1614	SPV.0090 Special 4048. Wall Secant Pile 59.06-Inch	4,520.000 LF	_____.	_____.
1616	SPV.0090 Special 4050. Wall Tangent Pile 36-Inch	11,900.000 LF	_____.	_____.
1618	SPV.0090 Special 4068. Handrail B-40-878	295.000 LF	_____.	_____.
1620	SPV.0090 Special 4069. Handrail R-40-622	325.000 LF	_____.	_____.
1622	SPV.0090 Special 4088. Handrail Temporary	836.000 LF	_____.	_____.
1624	SPV.0090 Special 4100. Fence Decorative Bridge	560.000 LF	_____.	_____.
1626	SPV.0090 Special 4105. Fence Decorative Wall	1,929.000 LF	_____.	_____.
1628	SPV.0090 Special 4200. Removing Existing Steel Piling	1,005.000 LF	_____.	_____.



Proposal Schedule of Items

Proposal ID: 20201013001 Project(s): 1060-33-84, 1060-34-77, 1100-18-73, 1100-18-76  
Federal ID(s): WISC 2020466, N/A, WISC 2021001, WISC 2020467

SECTION: 0001 Contract Items

Alt Set ID: Alt Mbr ID:

Proposal Line Number	Item ID Description	Approximate Quantity and Units	Unit Price	Bid Amount
1840	SPV.0090 Special 1004. Polyethylene Duct 1 1/4-Inch	950.000 LF	_____.	_____.
1842	450.4000 HMA Cold Weather Paving	25,312.000 TON	_____.	_____.
1844	SPV.0060 Special 0170. Temporary Access Gates at CPRR	4.000 EACH	_____.	_____.
1846	SPV.0060 Special 0171. Temporary Crossing at CPRR	2.000 EACH	_____.	_____.
1848	SPV.0060 Special 0960. Crash Cushions Temporary Low Maintenance	22.000 EACH	_____.	_____.
1850	SPV.0090 Special 0406. Remove Pavement Marking 24-Inch	39.000 LF	_____.	_____.
Section: 0001			Total:	_____.
			Total Bid:	_____.