



Wisconsin Department of Transportation

May 27, 2021

Division of Transportation Systems Development

Bureau of Project Development
4822 Madison Yards Way, 4th Floor South
Madison, WI 53705

Telephone: (608) 266-1631
Facsimile (FAX): (608) 266-8459

NOTICE TO ALL CONTRACTORS:

Proposal #20: 6590-02-76, WISC 2021369
Waupaca – Clintonville
CTH N (N) – USH 45
STH 22
Waupaca County

Letting of June 8, 2021

This is Addendum No. 01, which provides for the following:

Schedule of Items:

Revised Bid Item Quantities					
Bid Item	Item Description	Unit	Old Quantity	Revised Quantity	Proposal Total
204.0120	Removing Curb & Gutter	LF	288	-23	265
646.1020	Marking Line Epoxy 4-Inch	LF	143,048	127,420	15,628
643.0300	Traffic Control Drums	DAY	6669	8,413	15,082
643.0420	Traffic Control Barricades Type III	DAY	10	14	24
643.0900	Traffic Control Signs	DAY	766	1972	2738

Added Bid Item Quantities					
Bid Item	Item Description	Unit	Old Quantity	Revised Quantity	Proposal Total
646.1040	Marking Line Grooved Wet Ref Epoxy 4-Inch	LF	0	127,420	127,420

Plan Sheets:

Revised Plan Sheets	
Plan Sheet	Plan Sheet Title (brief description of changes to sheet)
8 – 10	Revised Typical Sections
27	Revised Miscellaneous Quantities
39	Revised Miscellaneous Quantities
40	Revised Miscellaneous Quantities

Other

Revise the contract completion time from 35 working days to 50 years (an additional 15 working days).

The responsibility for notifying potential subcontractors and suppliers of these changes remains with the prime contractor.

Sincerely,

Mike Coleman

Proposal Development Specialist

Proposal Management Section

Schedule of Items

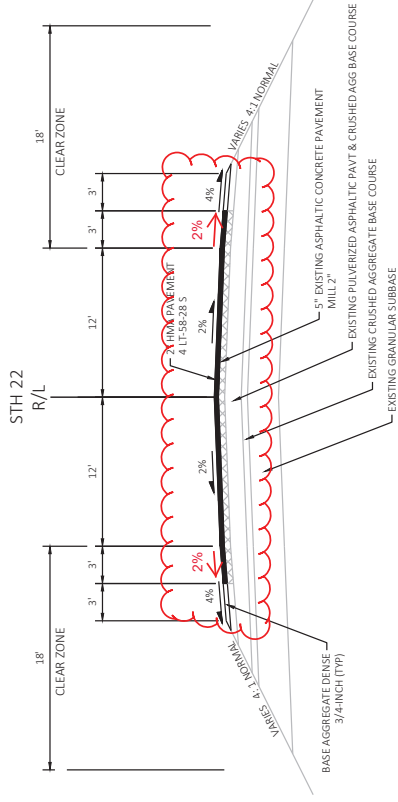
Attached, dated May 26, 2021, are the revised Schedule of Items Pages 1, 5, and 7.

Plan Sheets

The following 8½ x 11-inch sheets are attached and made part of the plans for this proposal:

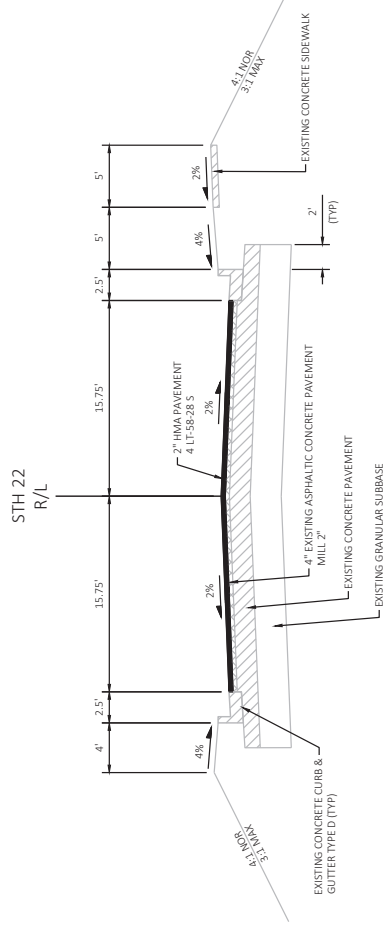
Revised:

END OF ADDENDUM



PROPOSED TYPICAL CROSS SECTION STH 22

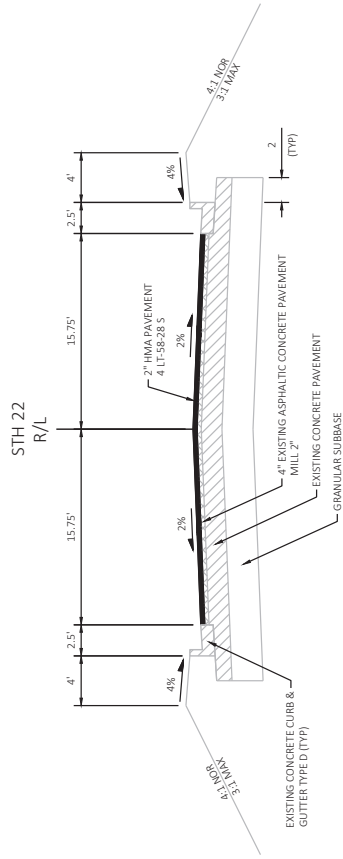
STA 41+00 TO STA 142+50
 STA 145+50 TO STA 205+98.90
 STA 219+71.40 TO 609+00



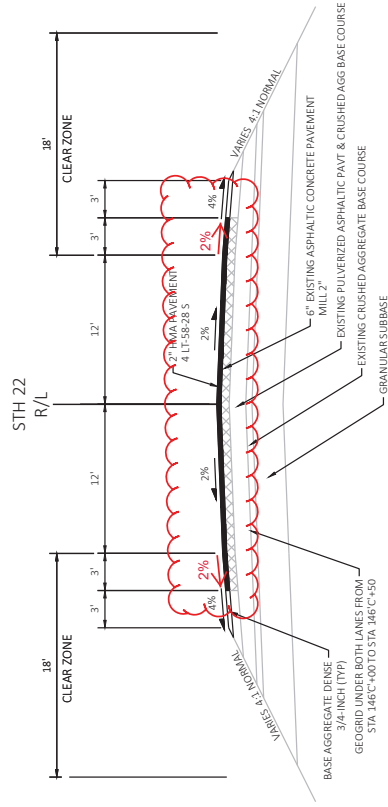
PROPOSED TYPICAL CROSS SECTION STH 22

STA 205+98.90 STA 217+00

Addendum No. 01
 ID 6590-02-76
 Revised Sheet 8
 May 27, 2021



PROPOSED TYPICAL CROSS SECTION STH 22
STA 217+00 TO STA 219+71.40



PROPOSED TYPICAL CROSS SECTION STH 22
STA 609+00 TO STA 623+00

Addendum No. 01
ID 6590-02-76
Revised Sheet 8
May 27, 2021

PROJECT NO: 6590-02-76

HWY: STH 22

COUNTY: WAUPACA

TYPICAL SECTIONS

SHEET 9

E

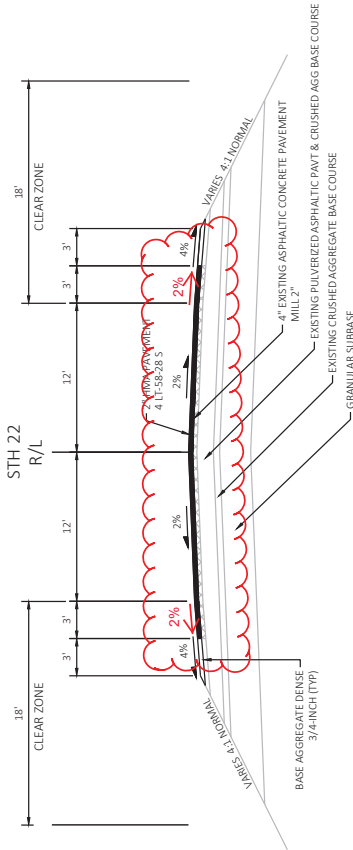
FILE NAME: N:\PDS\3D\65900206\SHEETS\PLAN\02\000115.DWG
LAYOUT NAME: 00306-15

PLOT DATE: 5/28/2021 4:01 PM

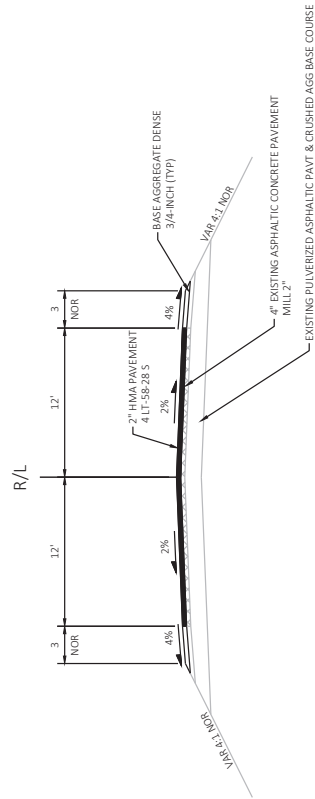
PLOT BY: NELSON, PATIM

PLOT SCALE: 1/8"=10 FT

WISDOT/CADDS SHEET 42



PROPOSED TYPICAL CROSS SECTION STH 22
 STA 623+00 TO STA 678+10.10



PROPOSED TYPICAL CROSS SECTION EAST RIVER ROAD

Addendum No. 01
 ID 6590-02-76
 Revised Sheet 8
 May 27, 2021

PROJECT NO: 6590-02-76	COUNTY: WAUPACA	TYPICAL SECTIONS	SHEET 10	E
FILE NAME: N:\PDS\3D\65900208\SHEETS\PLAN\02080115.DWG LAYOUT NAME: 02080115	HWY: STH 22	FLYBY: NELSON, PATIM	PLOT SCALE: 1/8"=10' FT	WISDOT/CADDS SHEET 42
		FLYBY: NELSON, PATIM		

REMOVING CONCRETE SIDEWALKS

STA	LOCATION	REMARKS	SY
204.0155			
		REMOVING CONCRETE SIDEWALK	
207+66	RT	RISKE ROAD AND STH 22 NEAR BRIDGE	13
214+10	RT		6
216+60	RT	SYMCO ROAD AND STH 22	6
216+70	RT	SYMCO ROAD AND STH 22	5
TOTAL 0010			30

REMOVING OLD CULVERTS AND BRIDGES

STA	LOCATION	EACH	REMARKS
203.0200			
			REMOVING OLD STRUCTURE (STA 93+80)
92+50	RT/LT	1	24" x 85" CMCP
93+80	RT/LT	-	BOX CULVERT - 3.5' X 5' X 83.5'
398+30	RT/LT	1	30" x 54" CMCP
415+50	RT/LT	1	36" x 78" CMCP
486+85	RT/LT	2	24" x 45" CMCP
654+30	RT/LT	1	30" x 50" CMCP
TOTAL 0010			6

REMOVING CURB & GUTTER

STA	LOCATION	LF	REMARKS
204.0150			
			REMOVING CURB & GUTTER
206+89	LT	15	RISKE ROAD/STH 22 INT
213+40	RT	90	WEST END OF BRIDGE
216+00	LT	30	EAST END OF BRIDGE
216+20	LT	90	SYMCO ROAD/STH 22 INT
217+10	RT	40	SYMCO ROAD/STH 22 INT
TOTAL 0010			265

REMOVING GUARDRAIL

STA	LOCATION	LF	REMARKS
204.0165			
			REMOVING GUARDRAIL
142+60	RT	40	STH 22
142+55	LT	50	STH 22
144+10	RT	60	STH 22
144+24	LT	36	STH 22
214+25	LT	60	STH 22
216+07	LT	63	STH 22
TOTAL 0010			309

Addendum No. 01
 ID 6590-02-76
 Revised Sheet 27
 May 27, 2021

Addendum No. 01
 ID 6590-02-76
 Revised Sheet 39
 May 27, 2021

TRAFFIC CONTROL SUMMARY

STA	STA	LOCATION	SERVICE PERIOD		DRUMS		BARRICADES		WARNING LIGHTS		SIGNS		REMARKS
			DAY	NO.	DAYS	NO.	DAYS	NO.	DAYS	NO.	DAYS	NO.	
41+00	678+10	MAINLINE	50	-	-	-	-	-	-	-	2	14	PLACE G20-57 SIGN AT EACH END OF PROJECT 7 DAYS BEFORE PROJECT BEGINS AND REMOVE ONCE CONSTRUCTION STARTS
41+00	678+10	MAINLINE	30	35	1050	-	-	-	-	-	20	400	PROJECT LIMITS DURING FLAGGING OPERATIONS
		MAINLINE	20	26	520	-	-	-	-	-	-	-	LANE SHIFT DURING CULVERT CONSTRUCTION
		FUHS ROAD	50	12	600	-	-	-	-	-	2	100	
		PRELLWITZ ROAD	50	12	600	-	-	-	-	-	2	100	
		STURM LAKE ROAD	50	12	600	-	-	-	-	-	2	100	
		BLAKE CREEK ROAD	50	12	168	-	-	-	-	-	2	100	
		RISKE ROAD	50	12	600	-	-	-	-	-	2	100	
		STH 110	50	12	600	-	-	-	-	-	2	100	
		STH 161	50	12	600	-	-	-	-	-	2	100	
		RISKE ROAD	50	12	600	-	-	-	-	-	2	100	
		WEST RIVER ROAD	50	12	600	-	-	-	-	-	2	100	
		SYMCO ROAD	50	12	600	-	-	-	-	-	2	100	
		EAST RIVER ROAD	50	12	600	-	-	-	-	-	2	100	
		CTH 0 (SOUTH)	50	12	600	-	-	-	-	-	2	100	
		BEAVER ROAD	50	12	600	-	-	-	-	-	2	100	
		CTH 0 (NORTH)	50	12	600	-	-	-	-	-	2	100	
		BEAVER ROAD	50	12	600	-	-	-	-	-	2	100	
		SHADY LANE	50	12	600	-	-	-	-	-	2	100	
		NICHOLSON ROAD	50	12	600	-	-	-	-	-	2	100	
		BEAVER CREEK ROAD	50	12	600	-	-	-	-	-	2	100	
		CTH T	50	12	600	-	-	-	-	-	2	100	
		BELL CORNERS ROAD	50	12	600	-	-	-	-	-	2	100	
		POPLAR ROAD	50	12	600	-	-	-	-	-	2	100	
		PLEASANT VIEW ROAD	50	12	600	-	-	-	-	-	2	100	
		PINE GROVE ROAD	50	12	600	-	-	-	-	-	2	100	
208+00	217+00	-	12	12	144	2	24	4	20	2	24	24	SIDEWALK CLOSURES IN SYMCO
TOTAL 0010					15,082		24		20		20	2,738	

643.0300 643.0420 643.0705 643.0900

Addendum No. 01
ID 6590-02-76
Revised Sheet 40
May 27, 2021

PAVEMENT MARKING

STA	STA	LOCATION	MARKING	646.1020	646.1040	649.0105	649.0120	648.0100	REMARKS *
			LINE	MARKING LINE	TEMPORARY MARKING	TEMPORARY MARKING	TEMPORARY MARKING	LOCATING	
			EPOXY 4-INCH (YELLOW)	GROOVED WET REF EPOXY 4-INCH (WHITE)	LINE PAINT 4-INCH	MARKING LINE EPOXY 4-INCH (YELLOW)	MARKING LINE EPOXY 4-INCH (YELLOW)	NO-PASSING ZONES	
			LF	LF	LF	LF	LF	MI	
41+00	678+10	STH 22	-	-	-	-	-	12.16	
41+00	69+00	STH 22	700	5,600	224	224	224	-	
69+00	99+00	STH 22	750	6,000	240	240	240	-	
99+00	130+00	STH 22	775	6,200	248	248	248	-	
130+00	161+00	STH 22	775	6,200	248	248	248	-	
161+00	191+00	STH 22	750	6,000	240	240	240	-	
191+00	207+00	STH 22	425	3,200	128	128	128	-	
207+00	220+00	STH 22	-	2,600	104	104	104	-	SYMCO
220+00	252+00	STH 22	800	6,400	256	256	256	-	
252+00	282+00	STH 22	750	6,000	240	240	240	-	
282+00	313+00	STH 22	775	6,200	248	248	248	-	
313+00	343+00	STH 22	750	6,000	240	240	240	-	
343+00	374+00	STH 22	775	6,200	248	248	248	-	
374+00	404+00	STH 22	750	6,000	240	240	240	-	
404+00	435+00	STH 22	775	6,200	248	248	248	-	
435+00	465+00	STH 22	750	6,000	240	240	240	-	
465+00	496+00	STH 22	775	6,200	248	248	248	-	
496+00	526+00	STH 22	750	6,000	240	240	240	-	
526+00	557+00	STH 22	775	6,200	248	248	248	-	
557+00	587+00	STH 22	750	6,000	240	240	240	-	
587+00	618+00	STH 22	775	6,200	248	248	248	-	
618+00	648+00	STH 22	750	6,000	240	240	240	-	
648+00	678+10	STH 22	753	6,020	241	241	241	-	
TOTAL 0010			15,628	127,420	5,097	5,097	5,097	12.16	

* NOTE: MARK THE CENTERLINE WITH TEMPORARY PAINT ON THE MILLED SURFACE AND INTERMEDIATE LAYERS
MARK TEMPORARY EPOXY ON THE SURFACE
MARK PERMANENT EPOXY AFTER CENTERLINE RUMBLE STRIPS ARE INSTALLED



Proposal Schedule of Items

Proposal ID: 20210608020 Project(s): 6590-02-76

Federal ID(s): WISC 2021369

SECTION: 0001

Contract Items

Alt Set ID:

Alt Mbr ID:

Proposal Line Number	Item ID Description	Approximate Quantity and Units	Unit Price	Bid Amount
0002	203.0100 Removing Small Pipe Culverts	6.000 EACH	_____.	_____.
0004	203.0200 Removing Old Structure (station) 01. STA 319+87	LS	LUMP SUM	_____.
0006	203.0200 Removing Old Structure (station) 01. STA 93+80	LS	LUMP SUM	_____.
0008	204.0115 Removing Asphaltic Surface Butt Joints	736.000 SY	_____.	_____.
0010	204.0120 Removing Asphaltic Surface Milling	224,562.000 SY	_____.	_____.
0012	204.0150 Removing Curb & Gutter	265.000 LF	_____.	_____.
0014	204.0155 Removing Concrete Sidewalk	30.000 SY	_____.	_____.
0016	204.0165 Removing Guardrail	309.000 LF	_____.	_____.
0018	204.9035.S Removing (item description) 01. Boulders	11.000 CY	_____.	_____.
0020	205.0100 Excavation Common	2,454.000 CY	_____.	_____.
0022	206.2000 Excavation for Structures Culverts (structure) 01. C-68-001	LS	LUMP SUM	_____.
0024	206.5000 Cofferdams (structure) 01. C-68-001	LS	LUMP SUM	_____.
0026	208.1500.S Temporary Lane Shift During Culvert Work	6.000 EACH	_____.	_____.
0028	210.2500 Backfill Structure Type B	36.000 TON	_____.	_____.
0030	211.0100 Prepare Foundation for Asphaltic Paving (project) 01. 6590-02-76	LS	LUMP SUM	_____.



Proposal Schedule of Items

Proposal ID: 20210608020 Project(s): 6590-02-76

Federal ID(s): WISC 2021369

SECTION: 0001

Contract Items

Alt Set ID:

Alt Mbr ID:

Proposal Line Number	Item ID Description	Approximate Quantity and Units	Unit Price	Bid Amount
0124	628.2008 Erosion Mat Urban Class I Type B	128.000 SY	_____.	_____.
0126	628.7015 Inlet Protection Type C	2.000 EACH	_____.	_____.
0128	628.7555 Culvert Pipe Checks	35.000 EACH	_____.	_____.
0130	629.0210 Fertilizer Type B	0.112 CWT	_____.	_____.
0132	630.0130 Seeding Mixture No. 30	3.200 LB	_____.	_____.
0134	630.0500 Seed Water	215.000 MGAL	_____.	_____.
0136	633.5200 Markers Culvert End	12.000 EACH	_____.	_____.
0138	642.5201 Field Office Type C	1.000 EACH	_____.	_____.
0140	643.0300 Traffic Control Drums	15,082.000 DAY	_____.	_____.
0142	643.0420 Traffic Control Barricades Type III	24.000 DAY	_____.	_____.
0144	643.0705 Traffic Control Warning Lights Type A	20.000 DAY	_____.	_____.
0146	643.0900 Traffic Control Signs	2,738.000 DAY	_____.	_____.
0148	643.5000 Traffic Control	1.000 EACH	_____.	_____.
0150	645.0120 Geotextile Type HR	53.000 SY	_____.	_____.
0152	646.1020 Marking Line Epoxy 4-Inch	15,628.000 LF	_____.	_____.
0154	648.0100 Locating No-Passing Zones	12.160 MI	_____.	_____.
0156	649.0105 Temporary Marking Line Paint 4-Inch	5,097.000 LF	_____.	_____.



Proposal Schedule of Items

Proposal ID: 20210608020 Project(s): 6590-02-76

Federal ID(s): WISC 2021369

SECTION: 0001

Contract Items

Alt Set ID:

Alt Mbr ID:

Proposal Line Number	Item ID Description	Approximate Quantity and Units	Unit Price	Bid Amount
0188	SPV.0060 Special 04. Grading, Shaping, and Finishing End-Walls	16.000 EACH	_____.	_____.
0190	646.1040 Marking Line Grooved Wet Ref Epoxy 4-Inch	127,420.000 LF	_____.	_____.
	Section: 0001		Total:	_____.
			Total Bid:	_____.

