



# Wisconsin Department of Transportation

January 4, 2022

## Division of Transportation Systems Development

Bureau of Project Development  
4822 Madison Yards Way, 4<sup>th</sup> Floor South  
Madison, WI 53705

Telephone: (608) 266-1631  
Facsimile (FAX): (608) 266-8459

### NOTICE TO ALL CONTRACTORS:

**Proposal #41: 7080-03-75, WISC 2022137**  
**Eau Claire - Fairchild**  
**CTH D To South Junction CTH M**  
**USH 12**  
**Eau Claire County**

### Letting of January 11, 2022

This is Addendum No. 01, which provides for the following:

#### Schedule of Items:

Revised Bid Item Quantities					
Bid Item	Item Description	Unit	Old Quantity	Revised Quantity	Proposal Total
204.0120	Removing Asphaltic Surface Milling	SY	31,476	12,129	43,605

#### Plan Sheets:

Revised Plan Sheets	
Plan Sheet	Plan Sheet Title (brief description of changes to sheet)
8-11	Typical Sections (updated HMA layers to match the total)
13-15	Construction Details (Modified milling limits thru intersections)
36	Misc. Quantities(Updated Removing Asphaltic Surface Milling Quantities)

#### **Schedule of Items**

Attached, dated January 4, 2022, are the revised Schedule of Items Page 1.

#### **Plan Sheets**

The following 8½ x 11-inch sheets are attached and made part of the plans for this proposal:

Revised: 8, 9, 10, 11, 13, 14, 15, and 36.

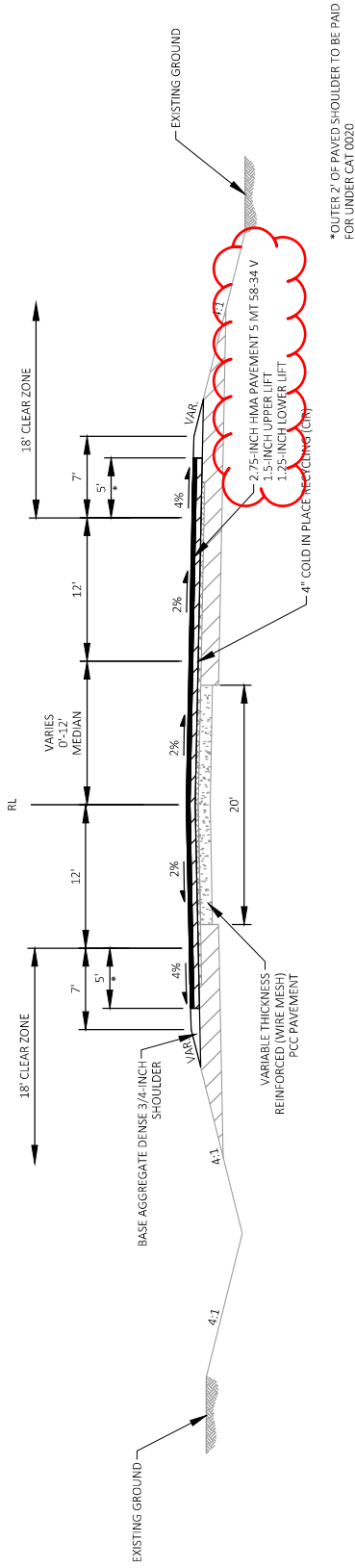
The responsibility for notifying potential subcontractors and suppliers of these changes remains with the prime contractor.

Sincerely,

*Mike Coleman*

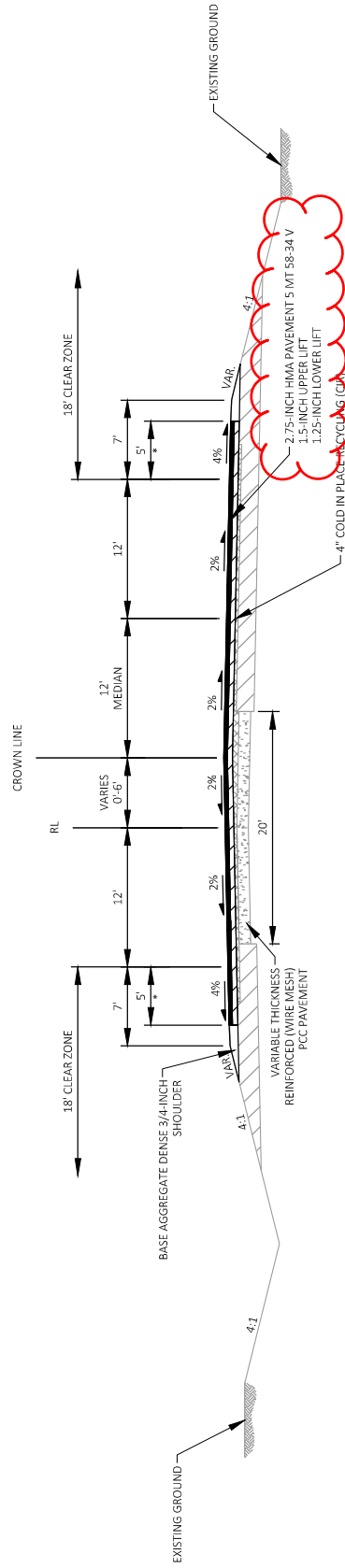
Proposal Development Specialist  
Proposal Management Section

END OF ADDENDUM



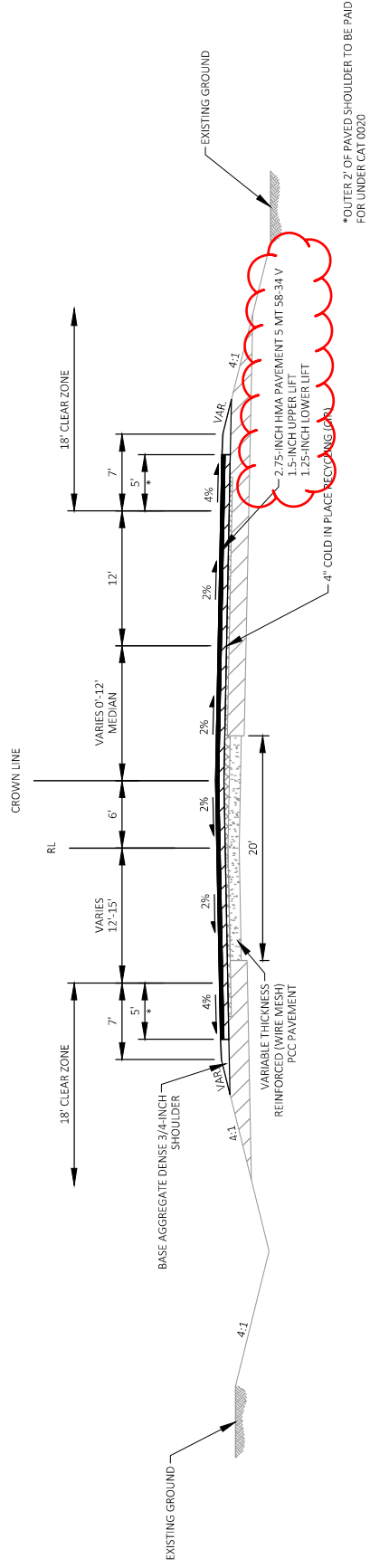
**FINISHED TYPICAL SECTION**  
 STA 36+57.32 TO 39+40 V  
 STA 47+25 TO 49+16

**Addendum No. 01**  
**ID 7080-03-75**  
**Revised Sheet 8**  
**January 4, 2022**

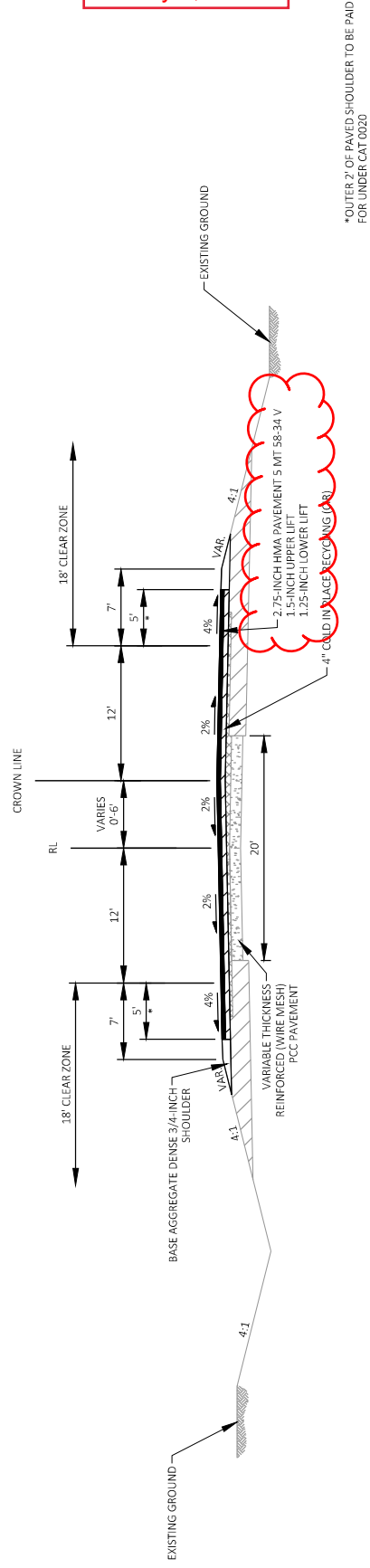


**FINISHED TYPICAL SECTION**  
 STA 39+40 TO 40+75  
 STA 49+50 TO 52+20

PROJECT NO: 7080-03-75	COUNTY: EAU CLAIRE	TYPICAL SECTIONS	SHEET 8	E
FILE NAME: C:\WORK\INC\PROJECTS - DOCUMENTS\WI - NW REGION\7080-03-05-EAU CLAIRE CO_USH 12\500_CADD\501_CTD_2018\70800305SHEETP\AN020301-TS.DWG	HWY: USH 12	PLotted BY: NICHOLAS WATKINS	PLotted SCALE: 1 IN=10 FT	WISDOT/CADD SHEET 42
		PLotted DATE: 12/22/2021 9:59 AM		



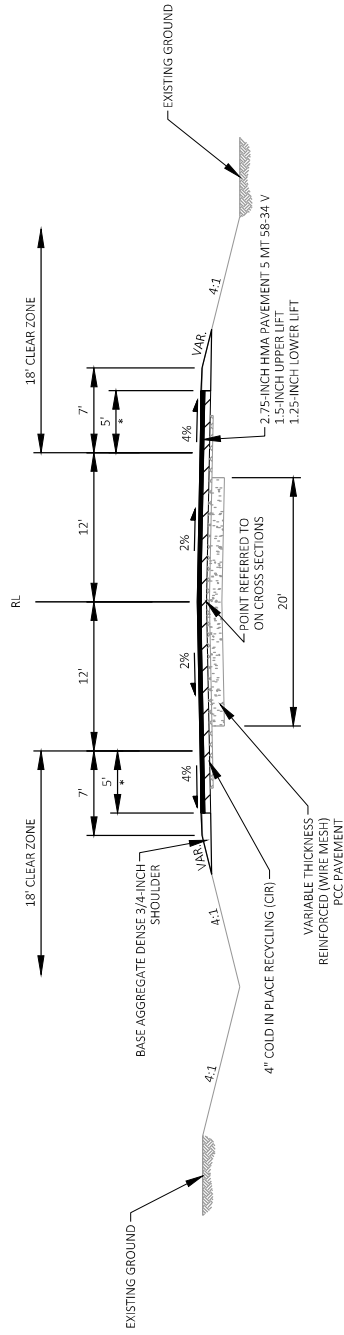
**FINISHED TYPICAL SECTION**  
STA 40+75 TO 49+50



**FINISHED TYPICAL SECTION**  
STA 52+20 TO 54+00

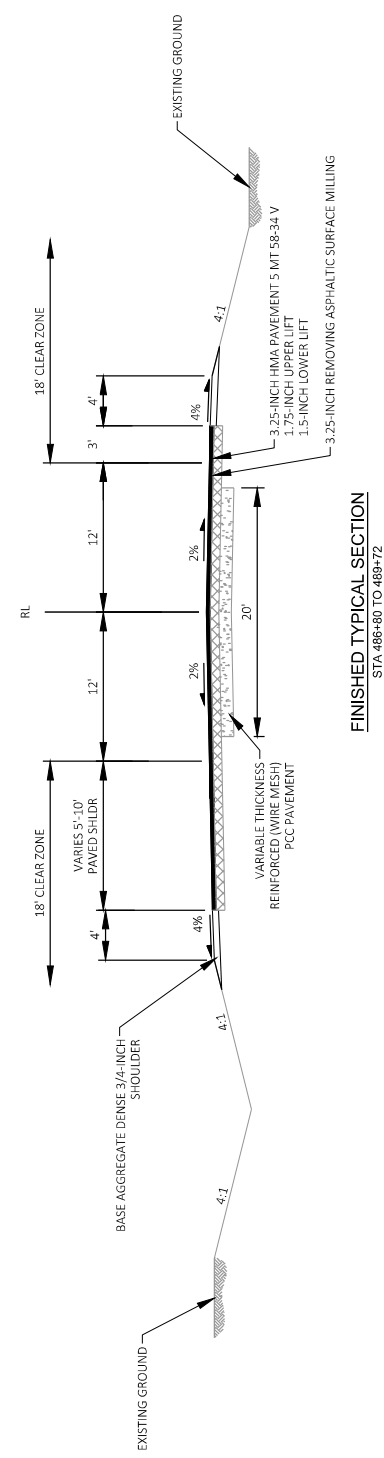
Addendum No. 01  
ID 7080-03-75  
Revised Sheet 9  
January 4, 2022

PROJECT NO: 7080-03-75	COUNTY: EAU CLAIRE	TYPICAL SECTIONS	SHEET 9	E
FILE NAME: C:\D:\CORR\INC\PROJECTS - DOCUMENTS\MI - NW REGION\7080-03-05-EAU CLAIRE CO_USH_121500_CADD\501_CDD_2018\70800305SHEETSP\AN020300-TS.DWG	HWY: USH 12	FLYBY: NICHOLAS WATKINS	PLOT SCALE: 1 IN.=10 FT.	WISDOT/CADD/SHEET 42
LAYOUT NAME: 06	FLYBY DATE: 12/16/2021 9:52 AM	PLOT NAME:		



**FINISHED TYPICAL SECTION**  
 STA 54+00 TO 471+23  
 STA 479+76 TO 486+80

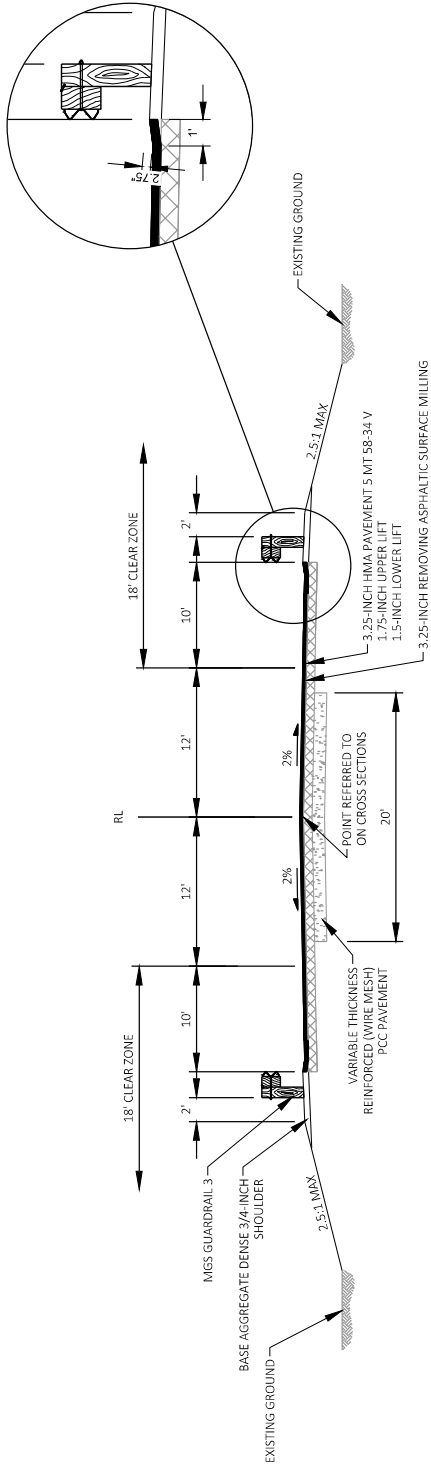
\*OUTER 2' OF PAVED SHOULDER TO BE PAID FOR UNDER CAT 0020



**FINISHED TYPICAL SECTION**  
 STA 486+80 TO 489+72

Addendum No. 01  
 ID 7080-03-75  
 Revised Sheet 10  
 January 4, 2022

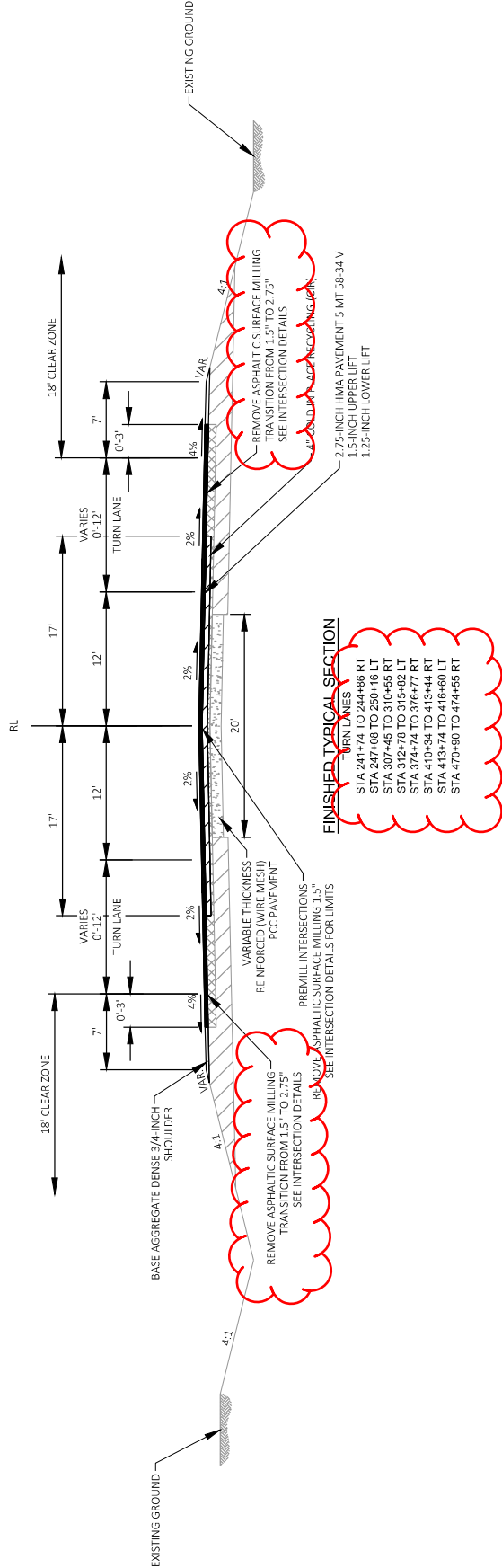
PROJECT NO: 7080-03-75	COUNTY: EAU CLAIRE	TYPICAL SECTIONS	SHEET 10	E
FILE NAME: C:\D:\CORRE_INC\PROJECTS - DOCUMENTS\WI - NW REGION\7080-03-05_EAU CLAIRE CO_USH 131590_CADD\501_C3D_2018\70800305\002000-TS.DWG	PLOT DATE: 12/22/2021 10:00 AM	PLOT BY: NICHOLAS WATKINS	PLOT SCALE: 1 IN=10 FT	WIS007CADD05 SHEET 12
HWY: USH 12				



**FINISHED TYPICAL SECTION**

STA 489+72 TO 486+40  
STA 488+82 TO 506+35

Addendum No. 01  
ID 7080-03-75  
Revised Sheet 11  
January 4, 2022

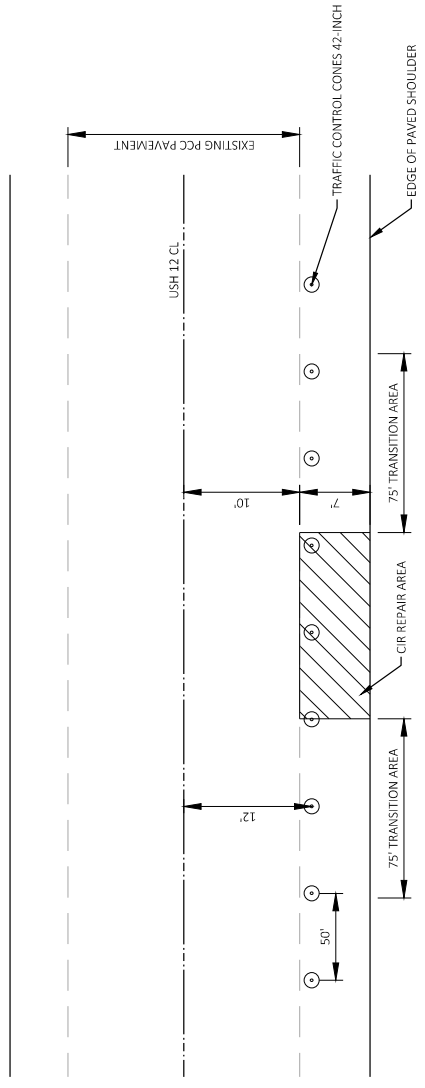


**FINISHED TYPICAL SECTION**

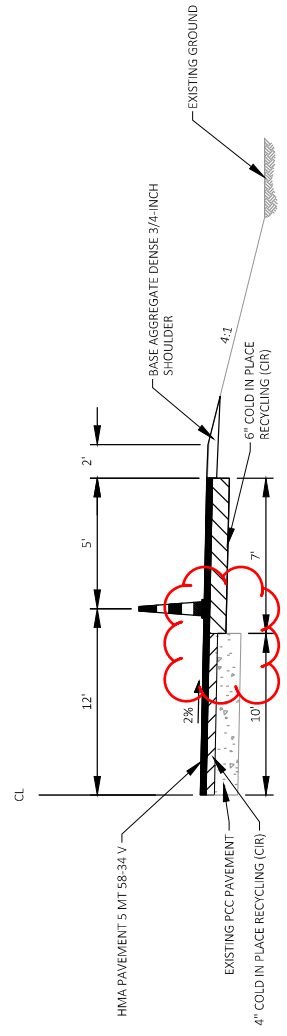
TURN LANES  
STA 241+74 TO 244+86 RT  
STA 247+08 TO 250+16 LT  
STA 307+45 TO 310+55 RT  
STA 312+78 TO 315+82 LT  
STA 374+74 TO 376+77 RT  
STA 410+34 TO 413+44 RT  
STA 413+74 TO 416+60 LT  
STA 470+90 TO 474+55 RT

**CIR REPAIR AREA**  
 6-INCH CIR DISTRESSED AREAS ARE INCIDENTAL TO THE 4-INCH CIR ASPHALT BASE LAYER AND STABILIZING AGENT ITEMS.  
 6-INCH CIR DISTRESSED AREAS SHALL BE CONSTRUCTED DURING THE 4-INCH CIR OPERATIONS.  
 EXCAVATION REQUIRED BEYOND THE LIMITS SHOWN SHALL BE PAID FOR UNDER THE BASE REPAIR FOR CIR ITEM.  
 REMOVE EXISTING BASE COURSE AWAY FROM EDGE OF EXISTING HMA SHOULDER (SHAPING SHOULDERS ITEM) AS TO NOT INCORPORATE BASE COURSE SHOULDER INTO CIR.  
 PREPARE AREA FOR 6-INCH CIR UNDER PREPARE FOUNDATION FOR ASPHALTIC SHOULDERS.  
 6-INCH CIR DISTRESSED AREAS REQUIRE CONTRACTOR TO FIND THE EXISTING UNDERLYING CONCRETE PAVEMENT EDGE. THE CONTRACTOR IS ALLOWED A 75-FOOT TRANSITION AREA MINIMUM BEFORE AND AFTER THE REPAIR AREA. IF TRAPPED WATER IS ENCOUNTERED, CONTACT THE REGIONAL PAVEMENT ENGINEER DEVIN HARRINGS AT (715) 836-3006.  
 6-INCH CIR REPAIR AREAS SHALL BE PERFORMED AT THE STATION RANGES SHOWN AND AS ADJUSTED BY THE ENGINEER IN THE FIELD.  
 PLACE TRAFFIC CONTROL CONES AT EDGE OF TRAFFIC LANE TO PREVENT TRAFFIC FROM TRAVELING ON SHOULDER REPAIR AREAS.

Addendum No. 01  
 ID 7080-03-75  
 Revised Sheet 13  
 January 4, 2022



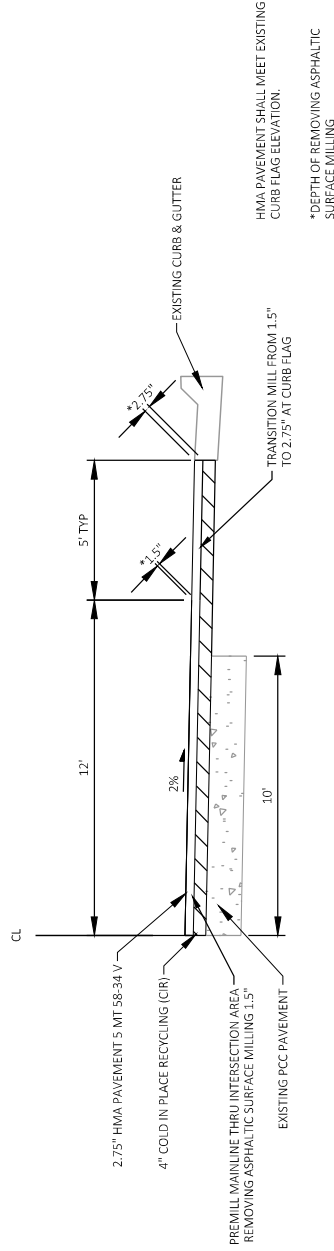
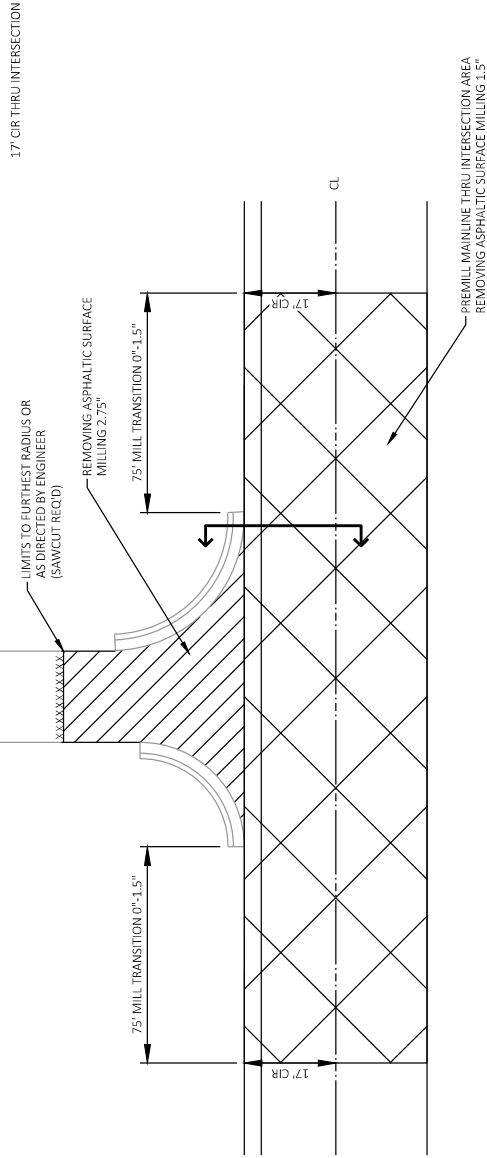
6-INCH CIR DISTRESSED AREAS DETAIL



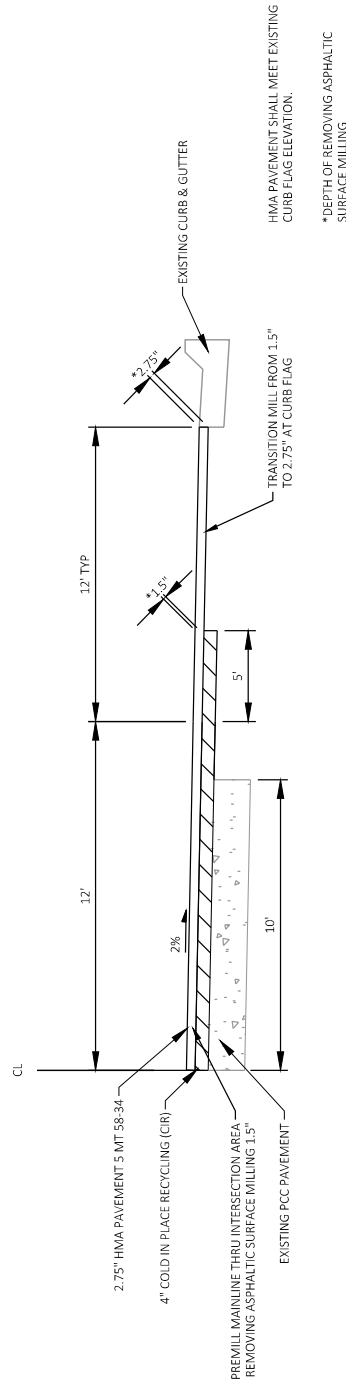
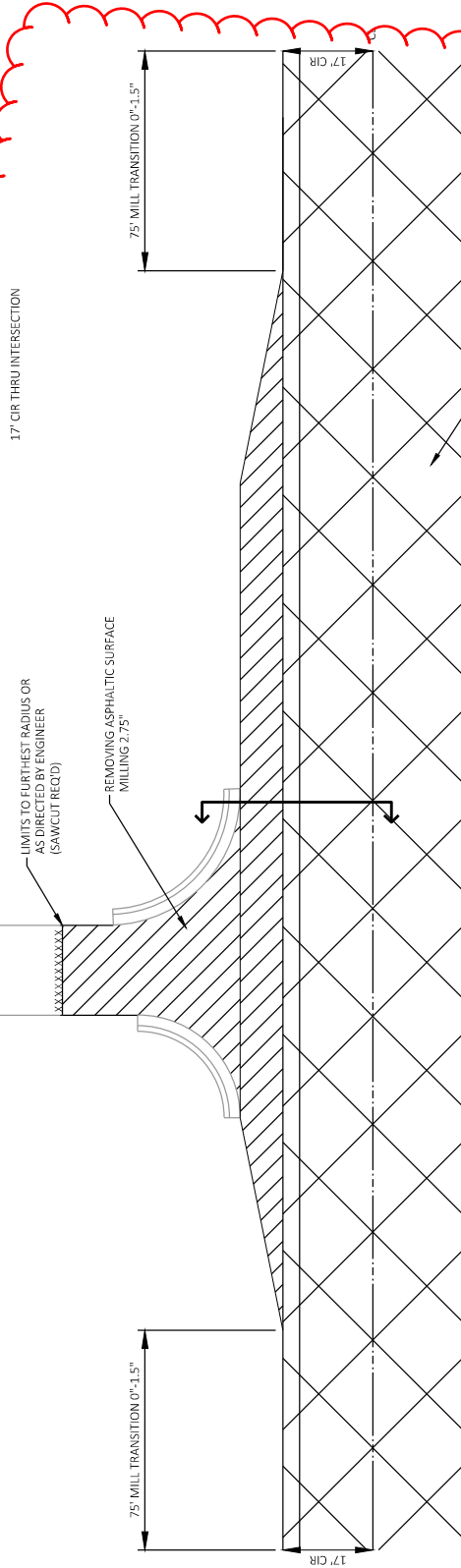
6-INCH CIR DISTRESSED AREAS TYPICAL SECTION

STA 84+75 TO 57+00 RT  
 STA 114+00 TO 117+00 RT  
 STA 126+00 TO 129+00 RT  
 STA 137+00 TO 140+00 LT  
 STA 156+00 TO 158+00 LT  
 STA 335+00 TO 345+00 RT  
 STA 357+00 TO 360+00 RT

Addendum No. 01  
ID 7080-03-75  
Revised Sheet 14  
January 4, 2022



**SIDE ROAD PAVING DETAIL**  
SUNRISE DRIVE



**SIDE ROAD PAVING DETAIL W/ TURN LANE**

CTH DIKENNEDY AVE  
 GREEN MEADOWS RD  
 CTH AF  
 CTH V  
 CTH JJ  
 CTH R

**Addendum No. 01**  
**ID 7080-03-75**  
**Revised Sheet 15**  
**January 4, 2022**



Addendum No. 01  
 ID 7080-03-75  
 Revised Sheet 36  
 January 4, 2022

**REMOVING ASPHALTIC SURFACE**

**CLEARING**

CATEGORY	STATION	TO	STATION	LOCATION	STA
0010	157+00	-	180+00	USH 12 RT	23
				TOTAL 0010	23

CATEGORY	STATION	TO	STATION	LOCATION	REMARKS
0010	99+32	-	99+60	LT	CURB AND GUTTER AREA
0010	99+94	-	100+42	LT	CURB AND GUTTER AREA
0010	245+73	-	246+15	LT	CURB AND GUTTER AREA
0010	245+83	-	246+24	RT	CURB AND GUTTER AREA
0010	246+83	-	247+07	LT	CURB AND GUTTER AREA
0010	384+69	-	385+34	CL	PIPE BACKFILL AREA
				TOTAL 0010	315

204.0110  
 REMOVING  
 ASPHALTIC  
 SURFACE

**REMOVING ASPHALTIC SURCE BUTT JOINTS**

CATEGORY	STATION	TO	STATION	LOCATION	SY
0010	35+57	-	45+57	USH 12	500
				TOTAL 0010	500

204.0115  
 REMOVING  
 ASPHALTIC  
 SURFACE BUTT  
 JOINTS

**REMOVING SMALL PIPE CULVERTS**

CATEGORY	STATION	TO	STATION	LOCATION	EACH
0010	531+33	-	AUGUSTA CULVERT		1
				TOTAL 0010	1

203.0100  
 REMOVING SMALL  
 PIPE CULVERTS

**REMOVING CURB AND GUTTER**

CATEGORY	STATION	TO	STATION	LOCATION	LF
0010	99+50	-	GREENWOOD AVE NW QUAD		54
0010	100+15	-	GREENWOOD AVE NW QUAD		62
0010	245+90	-	CTH AF NW QUAD		50
0010	246+05	-	CTH AF SE QUAD		46
0010	246+75	-	CTH AF NE QUAD		62
			TOTAL 0010		274

204.0150  
 REMOVING  
 CURB & GUTTER

**REMOVING ASPHALTIC SURFACE MILLING**

CATEGORY	STATION	TO	STATION	LOCATION	SY
0010	44+53	-	47+33	CTH D/KENNEDY AVE	2,095
0010	98+57	-	101+35	GREEN MEADOW RD	2,034
0010	142+24	-	142+24	HAWTHORND	315
0010	142+60	-	142+60	HAWTHORND	315
0010	187+15	-	191+17	SUNRISE DR	2,254
0010	244+10	-	247+82	CTH AF	2,467
0010	309+80	-	313+53	CTH V	2,619
0010	376+01	-	378+96	CTH JI	1,744
0010	411+32	-	415+78	CTH AF	2,739
0010	436+21	-	436+21	DRIVEWAY LT	1,174
0010	472+80	-	476+63	CTH R	1,892
0010	487+20	-	487+20	DRIVEWAY LT	215
0010	486+80	-	496+40	MAINLINE	4,700
0010	489+25	-	RT	STINSON RD	169
0010	498+82	-	533+45	MAINLINE	14,230
0010	509+25	-	LT	BARTIG RD	205
0010	509+25	-	RT	INDUSTRIAL DR	260
0010	514+45	-	LT	DRIVEWAY LT	59
0010	514+51	-	RT	TED ANDERSON DR	245
0010	515+47	-	DRIVEWAY RT		36
0010	515+54	-	DRIVEWAY LT		37
0010	516+87	-	DRIVEWAY RT		48
0010	517+11	-	DRIVEWAY LT		58
0010	519+20	-	RT	MONROEST	97
0010	521+00	-	LT	MAIN ST	236
0010	522+29	-	DRIVEWAY LT		58
0010	522+66	-	DRIVEWAY RT		67
0010	523+67	-	DRIVEWAY LT		63
0010	598+95	-	DRIVEWAY RT		25
0010	588+00	-	600+30	MAINLINE	4,700
			TOTAL 0010		43,605

204.0120  
 REMOVING  
 ASPHALTIC  
 SURFACE MILLING



## Proposal Schedule of Items

Proposal ID: 20220111041 Project(s): 7080-03-75

Federal ID(s): WISC 2022137

SECTION: 0001 Roadway Construction

Alt Set ID: Alt Mbr ID:

Proposal Line Number	Item ID Description	Approximate Quantity and Units	Unit Price	Bid Amount
0002	201.0105 Clearing	23.000 STA	_____.	_____.
0004	203.0100 Removing Small Pipe Culverts	1.000 EACH	_____.	_____.
0006	204.0110 Removing Asphaltic Surface	315.000 SY	_____.	_____.
0008	204.0115 Removing Asphaltic Surface Butt Joints	500.000 SY	_____.	_____.
0010	204.0120 Removing Asphaltic Surface Milling	43,605.000 SY	_____.	_____.
0012	204.0130 Removing Curb	2,290.000 LF	_____.	_____.
0014	204.0150 Removing Curb & Gutter	274.000 LF	_____.	_____.
0016	204.0165 Removing Guardrail	5,189.000 LF	_____.	_____.
0018	204.0180 Removing Delineators and Markers	32.000 EACH	_____.	_____.
0020	205.0100 Excavation Common	223.000 CY	_____.	_____.
0022	208.0100 Borrow	851.000 CY	_____.	_____.
0024	209.2100 Backfill Granular Grade 2	1,100.000 CY	_____.	_____.
0026	211.0400 Prepare Foundation for Asphaltic Shoulders	914.000 STA	_____.	_____.
0028	211.0800.S Base Repair for CIR Layer	115.000 CY	_____.	_____.
0030	213.0100 Finishing Roadway (project) 01. 7080-03-75	1.000 EACH	_____.	_____.
0032	305.0110 Base Aggregate Dense 3/4-Inch	2,755.000 TON	_____.	_____.