



Wisconsin Department of Transportation

January 3, 2022

Division of Transportation Systems Development

Bureau of Project Development
4822 Madison Yards Way, 4th Floor South
Madison, WI 53705

Telephone: (608) 266-1631
Facsimile (FAX): (608) 266-8459

NOTICE TO ALL CONTRACTORS:

Proposal #49: 8999-00-65, WISC 2022141
V North Hudson, Wisconsin St North
6th Street North to 3rd St North
Local Street
St. Croix County

Letting of January 11, 2022

This is Addendum No. 01, which provides for the following:

Special Provisions:

Revised Special Provisions	
Article No.	Description
6	Utilities

Plan Sheets:

Revised Plan Sheets	
Plan Sheet	Plan Sheet Title (brief description of changes to sheet)
17-20	Storm Sewer Sheets
30	Miscellaneous Quantities – Change in invert elevations/structure depths on Storm Sewer Table

The responsibility for notifying potential subcontractors and suppliers of these changes remains with the prime contractor.

Sincerely,

Mike Coleman

Proposal Development Specialist
Proposal Management Section

ADDENDUM NO. 1

8999-00-65

January 3, 2022

Special Provisions

6. Utilities

*Replace entire section titled **Excel Energy (Gas)** with the following:*

Xcel Energy (Gas) has underground gas lines along the northern limits of the project with several crossings. Underground gas line crossing at Station 10+96 crosses Wisconsin street north just outside of the project limits and runs east along the northern border of the project to 3rd Street North where the gas line crosses at an offset from the Wisconsin street north centerline of 45'. The underground gas line continues east to approximately Station 13+50.

The Underground gas line begins again at Station 16+20 at the northern border of the project and continues east, crossing 5th street to a T-junction located at Station 17+05 at an offset from the Wisconsin street north centerline of approximately 30' where the buried gas line continues east along the edge of the project and north under the east side of 5th street.

An underground gas line under the southern half of Wisconsin Street North begins at Station 17+17 and continues to the EOP.

Three additional crossings occur at Station 17+26, 17+75, and 18+40.

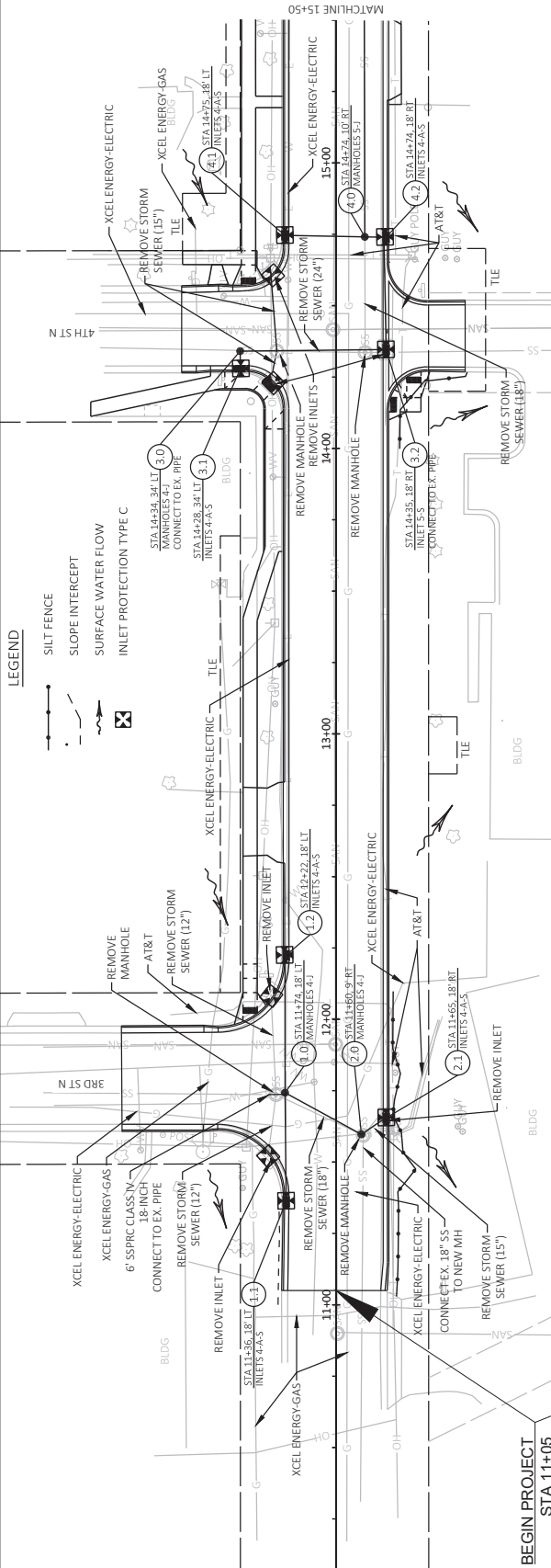
Xcel Energy will relocate the 2" PE gas main at approximately Station 17+25, Left. They will also relocate the 1" PE service at Station 16+75, Left. Both facilities are on 5th Street North. This work will be completed in the Spring of 2022 and will be complete by June 1, 2022.

There is a discontinued 6" steel gas line that is located 12-ft to 14-ft LT of centerline. Xcel Energy will remove the discontinued steel pipe where it is in conflict at storm sewer structure and crossing locations. Contact Xcel Energy 5 working days prior to installing storm sewer structures along the north side of Wisconsin Street. Work is anticipated to take 4 hours per removal location.

Plan Sheets

The following 8½ x 11-inch sheets are attached and made part of the plans for this proposal:
Revised: 17-20 and 30.

END OF ADDENDUM



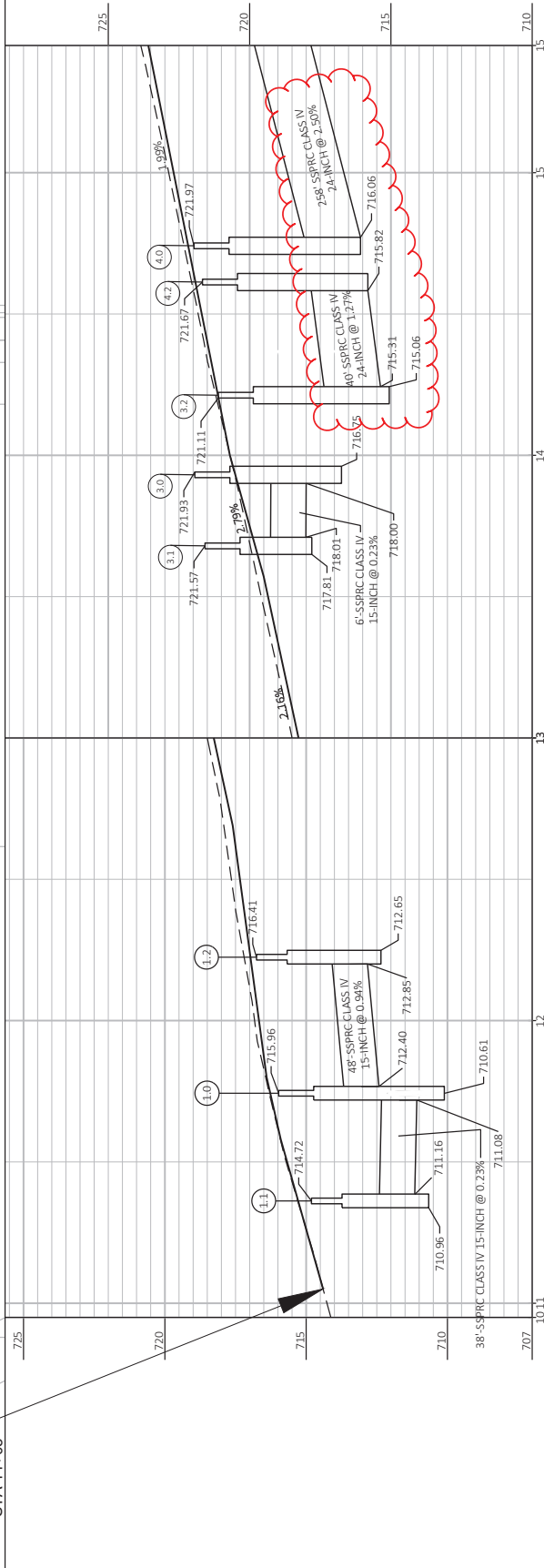
LEGEND

- SILT FENCE
- SLOPE INTERCEPT
- SURFACE WATER FLOW
- INLET PROTECTION TYPE C

BEGIN PROJECT
STA 11+05

MATCHLINE 15+50

Addendum No. 01
ID 8999-00-65
Revised Sheet 17
January 3, 2022



PROJECT NO: 8999-00-65

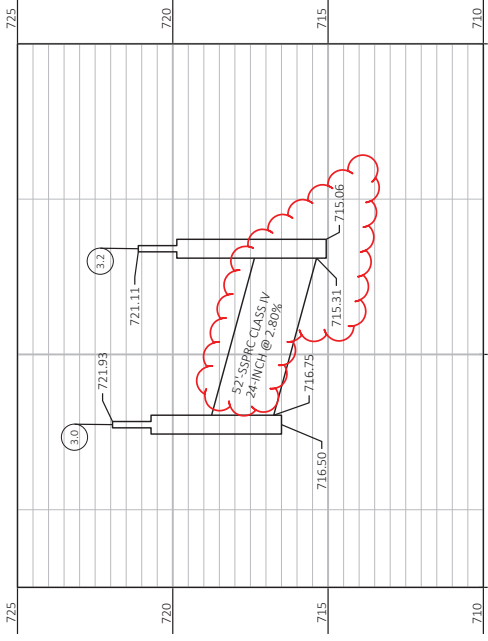
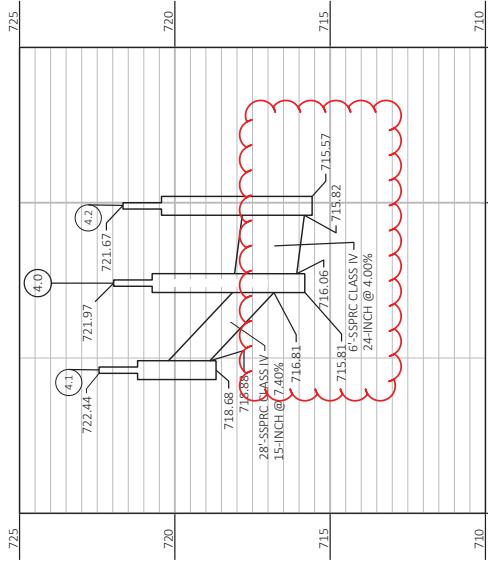
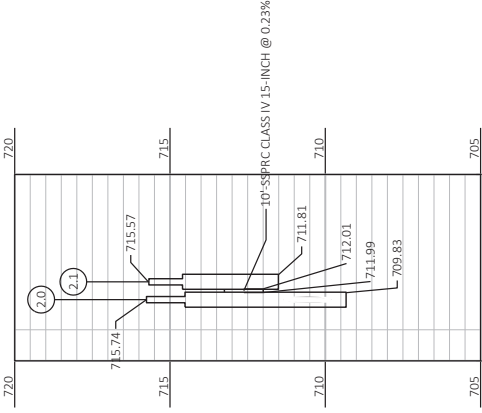
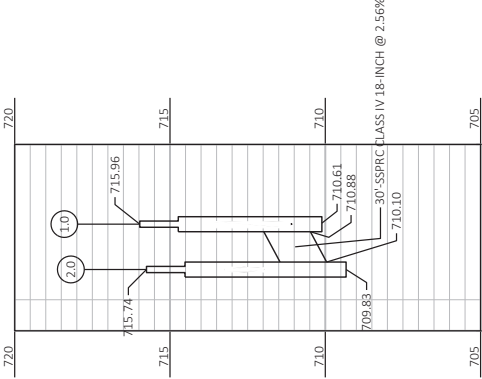
HWY: N WISCONSIN ST

COUNTY: ST. CROIX

STORM SEWER & EROSION CONTROL

SHEET 17

E

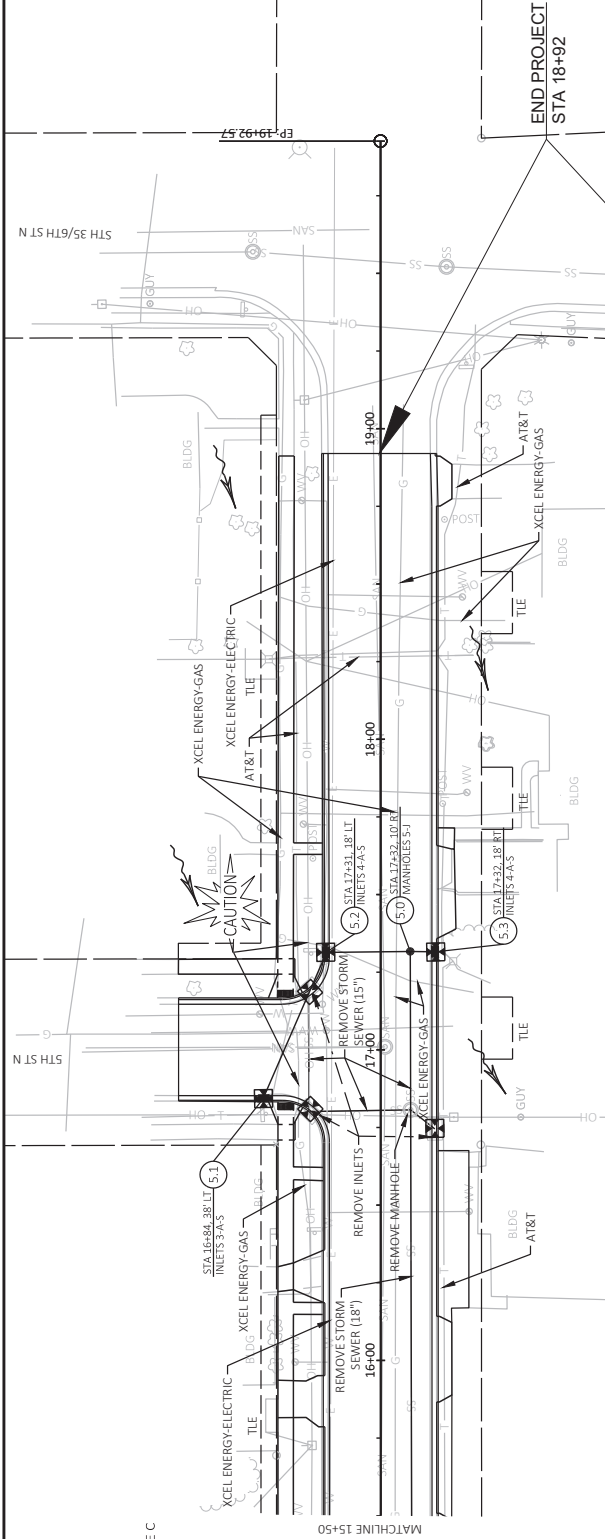


Addendum No. 01
ID 8999-00-65
Revised Sheet 18
January 3, 2022

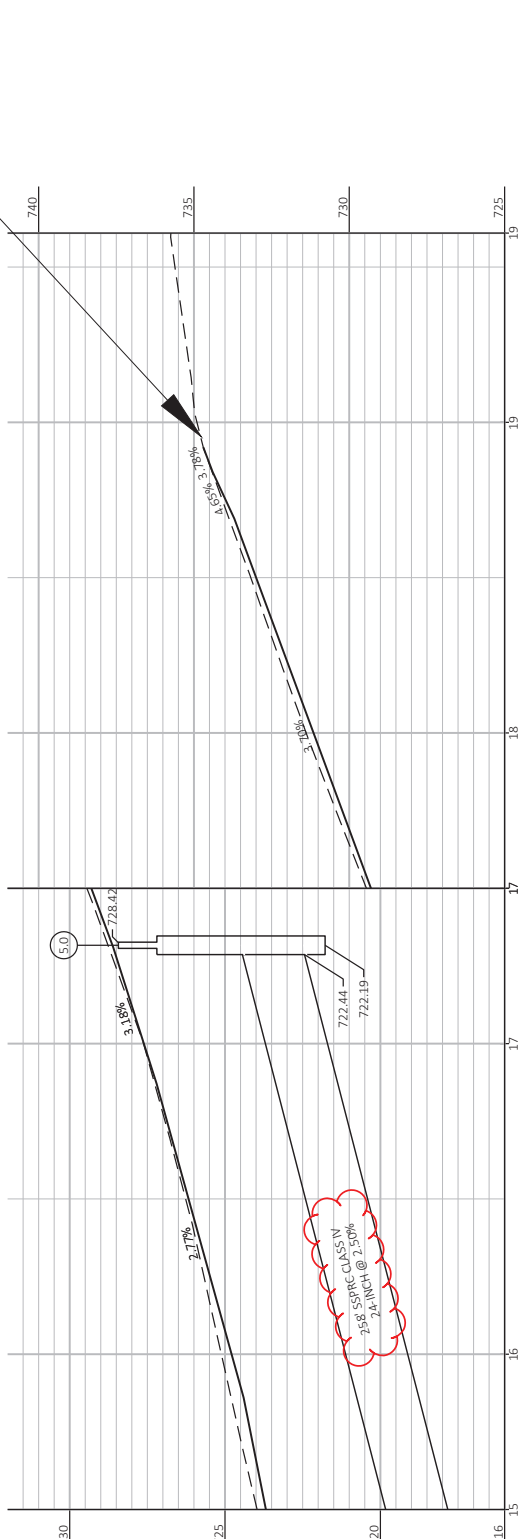


LEGEND

- SILT FENCE
- SLOPE INTERCEPT
- SURFACE WATER FLOW
- INLET PROTECTION TYPE C

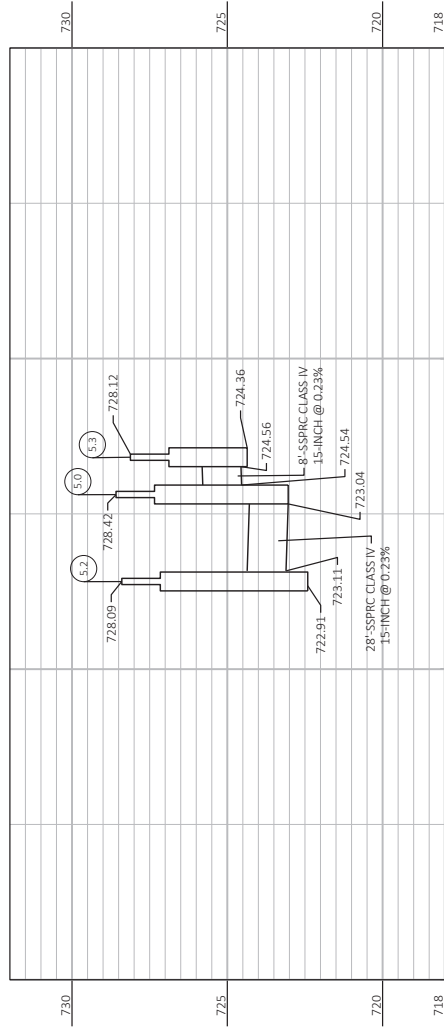
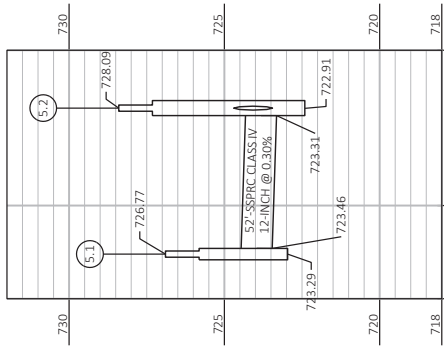


END PROJECT
STA 18+92



Addendum No. 01
 ID 8999-00-65
 Revised Sheet 19
 January 3, 2022

PROJECT NO: 8999-00-65	Hwy: N WISCONSIN ST	COUNTY: ST. CROIX	STORM SEWER & EROSION CONTROL	SHEET 19	E
FILE NAME: C:\ODDORRE_INCP\PROJECTS - DOCUMENTS\WI - NW REGION\8999-00-64_V NORTH HUDSON_WISCONSIN_ST\500_CADD\501_C3D_2018\89990064\SHRTP\PLAN\02501_SS.DWG	11/18/2021 6:14 PM	PLOT DATE:	PLOT NAME:	1 IN=40 FT	WISDOT\CAD\05 SHEET 41
LAYOUT NAME: -03	TOM ORNER	FLOT BY:			



Addendum No. 01
 ID 8999-00-65
 Revised Sheet 20
 January 3, 2022

STORM SEWER

611.0530 611.0603 611.0651 611.3003 611.3004 611.3004 SPV.0060.01 611.2004 611.2005

608.0412 608.0415 608.0418 608.0424
STORM SEWER PIPE REINFORCED PIPE REINFORCED PIPE REINFORCED PIPE REINFORCED
CONCRETE CLASS CONCRETE CLASS CONCRETE CLASS CONCRETE CLASS
IV 12-INCH IV 15-INCH IV 18-INCH IV 24-INCH

CATEGORY	STRUCTURE NUMBER	STATION	OFFSET	CASTING ELEV.	LF	SLOPE	MANHOLE COVERS TYPE	MANHOLE COVERS TYPE	INLET COVERS TYPE	INLET COVERS TYPE	INLETS 3-FT DIAMETER		INLETS 4-FT DIAMETER		INLETS 5-FT DIAMETER		MANHOLES 4-FT DIAMETER	MANHOLES 5-FT DIAMETER	FROM STRUCT. TO STRUCT.	INLET ELEV.	DISCH. ELEV.	
											EACH	PERCENT	EACH	PERCENT	EACH	PERCENT						EACH
0010	1.0	11+74	17.9	715.96	-	2.94%	1	1	-	-	-	-	-	-	1	1	4.60	1.0	2.0	-	710.88	
0010	1.1	11+37	18.0	714.72	38	0.23%	-	1	-	-	-	-	-	-	-	-	3.27	1.1	1.0	-	710.96	
0010	1.2	12+22	18.0	716.41	48	1.17%	-	1	-	-	-	-	-	-	-	-	3.27	1.2	1.0	-	712.65	
0010	2.0	11+59	9.5	715.74	-	-	-	-	-	-	-	-	-	-	1	-	5.16	2.0	EXISTING	-	710.10	
0010	2.1	11+65	18.0	715.57	10	0.23%	-	1	-	-	-	-	-	-	-	-	3.27	2.1	2.0	-	712.01	
0010	3.0	14+34	33.6	721.93	-	0.12%	1	-	-	-	-	-	-	-	1	-	4.68	3.0	3.2	-	716.75	
0010	3.1	14+28	33.5	721.57	6	0.23%	-	1	-	-	-	-	-	-	-	-	3.27	3.1	3.0	-	718.01	
0010	3.2	14+35	18.0	721.11	-	-	-	-	1	-	-	-	-	1	-	-	5.56	3.2	EXISTING	-	715.31	
0010	4.0	14+74	10.1	721.97	-	3.94%	1	-	-	-	-	-	-	-	-	-	3.92	4.0	4.2	-	716.06	
0010	4.1	14+75	18.0	722.44	28	1.90%	-	1	-	-	-	-	-	-	-	-	3.27	4.1	4.0	-	718.88	
0010	4.2	14+74	18.0	721.67	-	1.27%	-	1	-	-	-	-	-	-	-	-	5.61	4.2	3.2	-	715.82	
0010	5.0	17+32	9.5	728.42	-	1.90%	1	-	-	-	-	-	-	-	-	-	5.48	5.0	4.0	-	723.04	
0010	5.1	16+84	37.7	726.77	52	0.30%	-	1	-	-	-	-	-	-	-	-	2.99	5.1	5.2	-	723.29	
0010	5.2	17+31	18.0	728.09	-	0.23%	-	1	-	-	-	-	-	-	-	-	4.69	5.2	5.0	-	722.91	
0010	5.3	17+32	18.0	728.12	8	0.23%	-	1	-	-	-	-	-	-	-	-	3.27	5.3	5.0	-	724.36	
TOTAL 0010					52	166	30	356	5	10	1	1	7	2	3	3						

* DOES NOT INCLUDE "OF ADJUSTING RINGS"

Addendum No. 01
ID 8999-00-65
Revised Sheet 30
January 3, 2022

WATER

CATEGORY	STATION	TO	STATION	LOCATION	WATER	MGAL
0010	11+05	-	18+92	MIL	12	
TOTAL 0010						12

