



Wisconsin Department of Transportation

October 27, 2022

Division of Transportation Systems Development
Bureau of Project Development
4822 Madison Yards Way, 4th Floor South
Madison, WI 53705

Telephone: (608) 266-1631
Facsimile (FAX): (608) 266-8459

NOTICE TO ALL CONTRACTORS:

Proposal #17: 5908-00-74, WISC 2023065
Ironton – Woodland (CTH G)
STH 58 to CTH EE
CTH G
Sauk County

5908-00-75, WISC 2023066
Woodland – Wonewoc (CTH G)
CTH EE to Juneau County Line
CTH G
Sauk County

Letting of November 8, 2022

This is Addendum No. 02, which provides for the following:

Special Provisions:

Added Special Provisions	
Article No.	Description
21	Chevron Mounting Bracket, SPV.0060.02

Schedule of Items:

Revised Bid Item Quantities					
Bid Item	Item Description	Unit	Old Quantity	Revised Quantity	Proposal Total
634.0614	Posts Wood 4x6-Inch X 14-FT	EACH	172	3	175
637.2230	Signs Type II Reflective F	SF	1,585.46	30	1,615.46

Added Bid Item Quantities					
Bid Item	Item Description	Unit	Old Quantity	Revised Quantity	Proposal Total
SPV.0060.02	Chevron Mounting Bracket	Each	0	76	76

Plan Sheets:

Revised Plan Sheets – ID 5908-00-74	
Plan Sheet	Plan Sheet Title (brief description of changes to sheet)
37	Miscellaneous Quantities (Added SPV.0060.02 Chevron Mounting Bracket quantities)
38	Miscellaneous Quantities (Added SPV.0060.02 Chevron Mounting Bracket quantities)
39	Miscellaneous Quantities (Added SPV.0060.02 Chevron Mounting Bracket quantities)
88A	Sign Detail (Added Chevron Mounting Bracket)

Revised Plan Sheets – ID 5908-00-75	
Plan Sheet	Plan Sheet Title (brief description of changes to sheet)
35	Miscellaneous Quantities (Added SPV.0060.02 Chevron Mounting Bracket quantities)
36	Miscellaneous Quantities (Added SPV.0060.02 Chevron Mounting Bracket quantities)
37	Miscellaneous Quantities (Added SPV.0060.02 Chevron Mounting Bracket quantities)
85A	Sign Detail (Added Chevron Mounting Bracket)

Added Plan Sheets – ID 5908-00-74	
Plan Sheet	Plan Sheet Title (brief description of changes to sheet)
88A	Sign Detail (Added Chevron Mounting Bracket)

Added Plan Sheets – ID 5908-00-75	
Plan Sheet	Plan Sheet Title (brief description of changes to sheet)
85A	Sign Detail (Added Chevron Mounting Bracket)

The responsibility for notifying potential subcontractors and suppliers of these changes remains with the prime contractor.

Sincerely,

Mike Coleman

Proposal Development Specialist
 Proposal Management Section

ADDENDUM NO. 02
5908-00-74, 5908-00-75
October 27, 2022

Special Provisions

21. Chevron Mounting Bracket, Item SPV.0060.02.

A Description

This special provision describes providing and installing adjustable sign bracket.

B Materials

Furnish components for chevron mounting brackets according to the following:

Part	Description	Material
Angle	2"x2"x.1875" Alum	6061-T6 (SS)
Hex-Bolt .375-16x1x1-S	Grade 2 Zinc Plated	Steel
Flat Washer .375	Grade 2 Zinc Plated	Steel
Lock Washer .375	Grade 2 Zinc Plated	Steel
Hex-Nut .375-16-D-N	Grade 2 Zinc Plated	Steel

C Construction

Modify standard spec 637.3.3.3 (2) to include

Fasten type II signs to wood sign posts with bolts or lag screws with a chevron mounting bracket. For signs with type H, type SH, or type F Reflective Sheeting, place a fiber, nylon, or clear plastic washer between the head of the bolt or screw and the face of the sign. For signs, place a metal washer on the bolt beneath the nut.

D Measurement

The department will measure the Chevron Mounting Bracket bid item as each individual bracket acceptable completed.

E Payment

The department will pay for measured quantities at the contract unit price under the following bid item:

ITEM NUMBER	DESCRIPTION	UNIT
SPV.0060.02	Chevron Mounting Bracket	EACH

Payment is full compensation for providing and installing adjustable sign bracket.

Schedule of Items

Attached, dated October 27, 2022, are the revised Schedule of Items Pages 2 and 4.

Plan Sheets

The following 8½ x 11-inch sheets are attached and made part of the plans for this proposal:

5908-00-74

Revised: 37 – 39

Added: 88A

5908-00-75

Revised: 35 - 37

Added: 85A

END OF ADDENDUM

WATER

STATION	LOCATION	MICAL	REMARKS
261+41 - 276+94	ML	11	CIR AND SHOULDER
277+40 - 372+52	ML	65	CIR AND SHOULDER
372+52 - 496+17	ML	86	CIR AND SHOULDER
496+17 - 581+50	ML	59	CIR AND SHOULDER
SUBTOTAL		221	

PROJECT TOTAL

221

PERMANENT SIGNING

SIGNNO.	LT/RT	SIGN CODE	MESSAGE	SIZE W"x"H"	SIGN TYPE II	REFLECTIVE (SF)	RELECTIVE (SF)	SIGNS TYPE II	SIGNS TYPE I	POSTS WOOD	POSTS WOOD	POSTS WOOD	POSTS WOOD	SPV.0060.02 CHEVRON MOUNTING BRACKET (EACH)
01-01	RT	W1-8	4.00	24'X30"	4.00	-	1	-	-	1	-	-	-	-
01-02	RT	W1-8	CHEVRON	18'X24"	-	-	-	-	-	-	-	-	-	-
01-03	RT	W1-8	CHEVRON	18'X24"	-	-	-	-	-	-	-	-	-	-
01-04	RT	W1-8	CHEVRON	18'X24"	-	-	-	-	-	-	-	-	-	-
01-05	RT	W1-8	CHEVRON	18'X24"	-	-	-	-	-	-	-	-	-	-
01-06	LT	W1-8	CHEVRON	18'X24"	-	-	-	-	-	-	-	-	-	-
01-07	LT	W1-8	CHEVRON	18'X24"	-	-	-	-	-	-	-	-	-	-
01-08	LT	W1-8	CHEVRON	18'X24"	-	-	-	-	-	-	-	-	-	-
01-09	LT	W1-8	CHEVRON	18'X24"	-	-	-	-	-	-	-	-	-	-
01-10	LT	W1-8	CHEVRON	18'X24"	-	-	-	-	-	-	-	-	-	-
01-11	LT	W1-8	CHEVRON	18'X24"	-	-	-	-	-	-	-	-	-	-
01-12	LT	W1-8	CHEVRON	18'X24"	-	-	-	-	-	-	-	-	-	-
01-13	LT	W1-8	CHEVRON	18'X24"	-	-	-	-	-	-	-	-	-	-
02-01	LT	W1-8	CHEVRON	18'X24"	-	-	-	-	-	-	-	-	-	-
02-02	LT	W1-8	CHEVRON	18'X24"	-	-	-	-	-	-	-	-	-	-
02-03	LT	W1-8	CHEVRON	18'X24"	-	-	-	-	-	-	-	-	-	-
02-04	LT	W1-8	CHEVRON	18'X24"	-	-	-	-	-	-	-	-	-	-
02-05	LT	W1-8	CHEVRON	18'X24"	-	-	-	-	-	-	-	-	-	-
02-06	LT	W1-8	CHEVRON	18'X24"	-	-	-	-	-	-	-	-	-	-
02-07	LT	W1-8	CHEVRON	18'X24"	-	-	-	-	-	-	-	-	-	-
02-08	LT	W1-8	CHEVRON	18'X24"	-	-	-	-	-	-	-	-	-	-
02-09	LT	W1-8	CHEVRON	18'X24"	-	-	-	-	-	-	-	-	-	-
02-10	LT	W1-8	CHEVRON	18'X24"	-	-	-	-	-	-	-	-	-	-
02-11	LT	W1-8	CHEVRON	18'X24"	-	-	-	-	-	-	-	-	-	-
02-12	LT	W1-8	CHEVRON	18'X24"	-	-	-	-	-	-	-	-	-	-
02-13	LT	W1-8	CHEVRON	18'X24"	-	-	-	-	-	-	-	-	-	-
02-14	LT	W1-8	CHEVRON	18'X24"	-	-	-	-	-	-	-	-	-	-
02-15	LT	W1-8	CHEVRON	18'X24"	-	-	-	-	-	-	-	-	-	-
02-16	RT	W1-8	CHEVRON	18'X24"	-	-	-	-	-	-	-	-	-	-
02-17	RT	W1-8	CHEVRON	18'X24"	-	-	-	-	-	-	-	-	-	-
02-18	RT	W1-8	CHEVRON	18'X24"	-	-	-	-	-	-	-	-	-	-
02-19	RT	W1-8	CHEVRON	18'X24"	-	-	-	-	-	-	-	-	-	-
02-20	LT	W1-8	CHEVRON	18'X24"	-	-	-	-	-	-	-	-	-	-
02-21	LT	W1-8	CHEVRON	18'X24"	-	-	-	-	-	-	-	-	-	-
02-22	LT	W1-8	CHEVRON	18'X24"	-	-	-	-	-	-	-	-	-	-
03-01	RT	W1-8	CHEVRON	18'X24"	-	-	-	-	-	-	-	-	-	-
03-02	RT	W1-8	CHEVRON	18'X24"	-	-	-	-	-	-	-	-	-	-
03-03	RT	W1-8	CHEVRON	18'X24"	-	-	-	-	-	-	-	-	-	-
03-04	RT	W1-8	CHEVRON	18'X24"	-	-	-	-	-	-	-	-	-	-
03-05	RT	W1-8	CHEVRON	18'X24"	-	-	-	-	-	-	-	-	-	-
03-06	RT	W1-8	CHEVRON	18'X24"	-	-	-	-	-	-	-	-	-	-
03-07	RT	W1-8	CHEVRON	18'X24"	-	-	-	-	-	-	-	-	-	-
03-08	RT	W1-8	CHEVRON	18'X24"	-	-	-	-	-	-	-	-	-	-
03-09	RT	W1-8	CHEVRON	18'X24"	-	-	-	-	-	-	-	-	-	-
03-10	RT	W1-8	CHEVRON	18'X24"	-	-	-	-	-	-	-	-	-	-
03-11	RT	W1-8	CHEVRON	18'X24"	-	-	-	-	-	-	-	-	-	-
03-12	RT	W1-8	CHEVRON	18'X24"	-	-	-	-	-	-	-	-	-	-
03-13	RT	W1-8	CHEVRON	18'X24"	-	-	-	-	-	-	-	-	-	-
03-14	RT	W1-8	CHEVRON	18'X24"	-	-	-	-	-	-	-	-	-	-
03-15	RT	W1-8	CHEVRON	18'X24"	-	-	-	-	-	-	-	-	-	-
03-16	RT	W1-8	CHEVRON	18'X24"	-	-	-	-	-	-	-	-	-	-
03-17	RT	W1-8	CHEVRON	18'X24"	-	-	-	-	-	-	-	-	-	-
03-18	RT	W1-8	CHEVRON	18'X24"	-	-	-	-	-	-	-	-	-	-
03-19	RT	W1-8	CHEVRON	18'X24"	-	-	-	-	-	-	-	-	-	-
03-20	LT	W1-8	CHEVRON	18'X24"	-	-	-	-	-	-	-	-	-	-
03-21	LT	W1-8	CHEVRON	18'X24"	-	-	-	-	-	-	-	-	-	-
03-22	RT	W1-8	CHEVRON	18'X24"	-	-	-	-	-	-	-	-	-	-

CONTINUED

**Addendum No. 02
ID 5908-00-74
Revised Sheet 37
October 27, 2022**

*BID ITEMS ARE UNDER CATEGORY 0010, UNLESS OTHERWISE NOTED

PROJECT NO: 5908-00-74

HWY: CTH G

COUNTY: SAUK

MISCELLANEOUS QUANTITIES

SHEET

37

E

PERMANENT SIGNING (CON'T)

Table with columns: SIGN NO., LT/RT, CODE, MESSAGE, W*X*H", SIZE, REFLECTIVE, SIGN TYPE, SGN, MESSAGE, W*X*H", SIZE, REFLECTIVE, SIGN TYPE, SGN. Includes project totals: 72.09, 918.73, 4.00, 106.00, 18.00, 29.00, 35.00.

Addendum No. 02
ID 5908-00-75
Revised Sheet 35
October 27, 2022

PERMANENT SIGNING (CON'T)

Table with columns: SIGN NO., LT/RT, CODE, MESSAGE, W*X*H", SIZE, REFLECTIVE, SIGN TYPE, SGN, MESSAGE, W*X*H", SIZE, REFLECTIVE, SIGN TYPE, SGN. Includes project totals: 72.09, 918.73, 4.00, 106.00, 18.00, 29.00, 35.00.

CONTINUED

*BID ITEMS ARE UNDER CATEGORY 0010, UNLESS OTHERWISE NOTED

PROJECT NO: 5908-00-74

HWY: CTH G

COUNTY: SAUK

MISCELLANEOUS QUANTITIES

SHEET 39

E

FILE NAME: X:\PROJECTS\5908-00-74\DRAWINGS\40-DRAWINGS\40-TRANSPORTATION\SHEETS\PAVEMENT\SEC 08\MSK_CTHG\02001-IMG\IMSEC_CTHG1.DWG

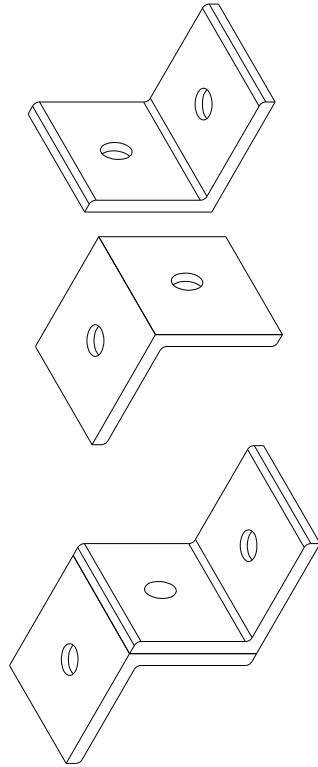
PLOT DATE: 10/26/2022 10:05 AM

FLOT BY: SEH

PLOT NAME:

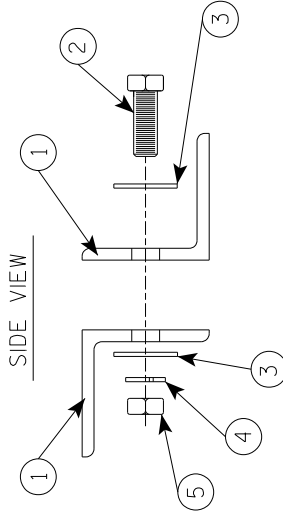
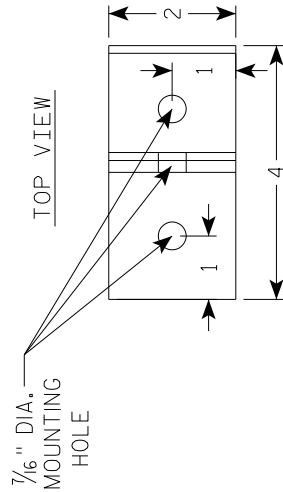
WISDOT/CADSW/SHEET 42

ISOMETRIC VIEW

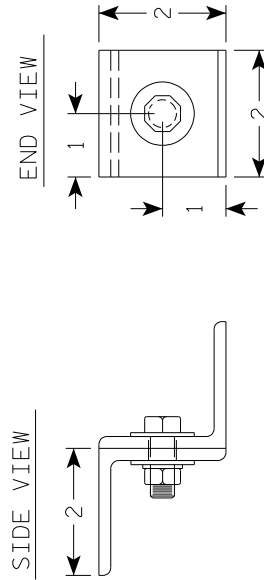


NOTES

1. Must be capable of permanent attachment to a wood or steel channel sign post utilizing a 3"x3/8" lag screw or the proper bolt specified on the A4-8 sign plate.
2. Shall be made with aluminum, and incorporate no welds, no hinged components, no threaded lock-type components, and no parts which are loose or can be separated from the main body.
3. Shall have rounded edges with at least 1/16" radii.
4. Must use Bracket Hardware stated on table below
5. Sign attachment to bracket shall utilize 3/8"x1/2" machine bolt with nuts and washers in accordance with the A4-8 sign plate.



Addendum No. 02
ID 5908-00-75
Revised Sheet 35
October 27, 2022



NO	PART	DESCRIPTION	MATERIAL	QTY.
1	ANGLE	2"x2"x.1875" ALUM	6061-T6 (SS)	2
2	HEX-BOLT	.375-16x1x1-S	STEEL	1
3	FLAT WASHER	GRADE 2 ZINC PLATED	STEEL	2
4	LOCK WASHER	GRADE 2 ZINC PLATED	STEEL	1
5	HEX-NUT	GRADE 2 ZINC PLATED	STEEL	1

CHEVRON MOUNTING BRACKET
WISCONSIN DEPT. OF TRANSPORTATION
APPROVED *Matthew R. Raush*
for State Traffic Engineer
DATE 10/25/2022 PLATE NO. A5-111L

PERMANENT SIGNING

SIGN NUMBER	LT/RT	SIGN CODE	MESSAGE	SIZE W'X'H"	REFLECTIVE TYPE II	REFLECTIVE (SF)	POSTS WOOD 4X6 INCH 12-FT (EACH)	POSTS WOOD 4X6 INCH 14-FT (EACH)	POSTS WOOD 4X6 INCH 16-FT (EACH)	POSTS WOOD 4X6 INCH 18-FT (EACH)	SPV.0060.02
01-01	RT	W1-5A	CTH-G	24'X24"	4.00	-	-	-	1	-	-
01-02	RT	W1-2R	ROADWAY CURVES RIGHT	30'X30"	-	6.25	-	-	-	1	-
01-03	RT	W1-4-3	NO PASSING ZONE	48'X36"	-	5.56	-	-	1	-	-
01-04	LT	J1-1	JCT CTH EE	24'X39"	6.50	-	-	-	-	-	-
01-05	LT	W1-2L	ROADWAY CURVES LEFT	30'X30"	-	6.25	-	-	-	1	-
01-06	LT	W1-4-3	NO PASSING ZONE	48'X36"	-	5.56	-	-	1	-	-
03-01	LT	W1-4-3	NO PASSING ZONE	48'X36"	-	5.56	-	-	1	-	-
03-02	LT	W1-2L	ROADWAY CURVES LEFT	30'X30"	-	6.25	-	-	-	1	-
05-01	LT	W1-4-3	NO PASSING ZONE	48'X36"	-	5.56	-	-	1	-	-
06-01	RT	W7-1	STEEP GRADE	30'X30"	-	6.25	-	-	-	1	-
06-02	RT	J1-1	JCT CTH Q	24'X39"	6.50	-	-	-	1	-	-
06-04	RT	W13-1	45 MPH	18'X18"	-	6.25	-	-	-	1	-
06-05	RT	W1-2R	ROADWAY CURVES RIGHT	30'X30"	-	6.25	-	-	-	1	-
06-06	RT	W1-2R	ROADWAY CURVES RIGHT	30'X30"	-	6.25	-	-	-	1	-
06-07	LT	W7-1	STEEP GRADE	30'X30"	-	6.25	-	-	-	1	-
07-01	RT	W1-2R	ROADWAY CURVES RIGHT	30'X30"	-	6.25	-	-	-	1	-
07-02	LT	W2-1	FOUR WAY INTERSECTION	30'X30"	-	6.25	-	-	-	1	-
07-03	LT	W13-1	45 MPH	18'X18"	-	2.25	-	-	-	-	1
07-04	LT	J13-2	CTH-G THRU / CTH-Q RIGHT	48'X45"	15.00	-	-	-	-	-	1
07-05	LT	J1-1	JCT CTH Q	24'X39"	6.50	-	-	-	1	-	-
08-01	RT	W14-3	NO PASSING ZONE	48'X36"	-	5.56	-	-	1	-	-
08-02	LT	W1-2L	ROADWAY CURVES LEFT	30'X30"	-	6.25	-	-	-	1	-
10-01	LT	W14-3	NO PASSING ZONE	48'X36"	-	5.56	-	-	1	-	-
10-02	RT	W1-2R	ROADWAY CURVES RIGHT	30'X30"	-	6.25	-	-	-	1	-
12-01	RT	W1-2L	ROADWAY CURVES LEFT	30'X30"	-	6.25	-	-	-	1	-
12-02	RT	W13-1	45 MPH	18'X18"	-	2.25	-	-	-	-	1
12-03	LT	W1-2L	ROADWAY CURVES LEFT	30'X30"	-	6.25	-	-	-	1	-
12-04	RT	W1-8	CHEVRON	18'X24"	-	3.00	-	-	1	-	-
12-05	RT	W1-8	CHEVRON	18'X24"	-	3.00	-	-	1	-	-
12-06	RT	W1-8	CHEVRON	18'X24"	-	3.00	-	-	1	-	-
12-07	RT	W1-8	CHEVRON	18'X24"	-	3.00	-	-	1	-	-
12-08	RT	W1-8	CHEVRON	18'X24"	-	3.00	-	-	1	-	-
12-09	RT	W1-8	CHEVRON	18'X24"	-	3.00	-	-	-	1	-
12-10	RT	W1-8	CHEVRON	18'X24"	-	3.00	-	-	-	1	-
12-11	RT	W1-8	CHEVRON	18'X24"	-	3.00	-	-	-	1	-
12-12	RT	W1-8	CHEVRON	18'X24"	-	3.00	-	-	-	1	-
12-13	RT	W1-8	CHEVRON	18'X24"	-	3.00	-	-	-	1	-
13-01	RT	W1-8	CHEVRON	18'X24"	-	3.00	-	-	1	-	-
13-02	RT	W1-2R	ROADWAY CURVES RIGHT	30'X30"	-	6.25	-	-	-	1	-
13-03	RT	W13-1	40 MPH	18'X18"	-	2.25	-	-	-	-	1
13-04	LT	W1-2R	ROADWAY CURVES RIGHT	30'X30"	-	6.25	-	-	-	1	-
13-05	LT	W13-1	45 MPH	18'X18"	-	2.25	-	-	-	-	1
13-06	RT	W1-8	CHEVRON	18'X24"	-	3.00	-	-	-	-	1

MISCELLANEOUS QUANTITIES

STATION	LOCATION	REMARKS	WATER MGAL
581+50 - 651+75	ML	CIR AND SHOULDER	49
651+75 - 750+50	ML	CIR AND SHOULDER	69
750+50 - 816+59	ML	CIR AND SHOULDER	44
816+94 - 864+83	ML	CIR AND SHOULDER	30
866+57 - 879+75	ML	CIR AND SHOULDER	8
SUBTOTAL			199
PROJECT TOTAL			199

Addendum No. 02
 ID 5908-00-75
 Revised Sheet 35
 October 27, 2022

CONTINUED

*BID ITEMS ARE UNDER CATEGORY 0010, UNLESS OTHERWISE NOTED

Addendum No. 02
ID 5908-00-75
Revised Sheet 36
October 27, 2022

PERMANENT SIGNING (CONT'D)

PROJECT NO:	5908-00-75	HWY:	CTH G	COUNTY:	SAUK	MISCELLANEOUS QUANTITIES	SHEET	36
FILE NAME:	X:\PT\ISSA\U0168\805\FINAL_DWG\G3_DRAWINGS\40-TRANS\HWY\SAUK\124\567\8\SHEETSPAN\SEC 08_MISC_QTYS\G30201-1\G3_MISC_QTYS.DWG							
PLOT DATE:	10/26/2022 10:37 AM							
PLOT BY:	SEH							

PERMANENT SIGNING (CONT'D)

PROJECT NO:	5908-00-75	HWY:	CTH G	COUNTY:	SAUK	MISCELLANEOUS QUANTITIES	SHEET	36
FILE NAME:	X:\PT\ISSA\U0168\805\FINAL_DWG\G3_DRAWINGS\40-TRANS\HWY\SAUK\124\567\8\SHEETSPAN\SEC 08_MISC_QTYS\G30201-1\G3_MISC_QTYS.DWG							
PLOT DATE:	10/26/2022 10:37 AM							
PLOT BY:	SEH							

*BID ITEMS ARE UNDER CATEGORY 0010, UNLESS OTHERWISE NOTED

CONTINUED

CONTINUED

PERMANENT SIGNING (CONTD.)

Table with columns: SIGN NUMBER, LTRT CODE, SIGN MESSAGE, SIGN SIZE (W"xH"), SIGN REFLECTIVE TYPE, SIGN TYPE II, SIGN TYPE I, SIGN POSTS WOOD, SIGN POSTS WOOD, SIGN CHEVRON, SIGN MOUNTING, SIGN BRACKET.

CONTINUED

*BID ITEMS ARE UNDER CATEGORY 0010, UNLESS OTHERWISE NOTED

PROJECT NO: 5908-00-75

HWY: CTH G

COUNTY: SAUK

MISCELLANEOUS QUANTITIES

FLOT BY: SAUK

PLANT NAME:

SHEET 37

E

PERMANENT SIGNING (CONTD.)

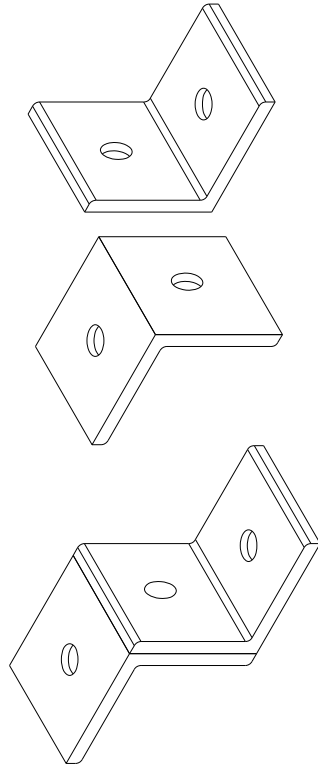
Table with columns: SIGN NUMBER, LTRT CODE, SIGN MESSAGE, SIGN SIZE (W"xH"), SIGN REFLECTIVE TYPE, SIGN TYPE II, SIGN TYPE I, SIGN POSTS WOOD, SIGN POSTS WOOD, SIGN CHEVRON, SIGN MOUNTING, SIGN BRACKET.

PROJECT TOTALS

111.40 696.73 4 69 15 33 41

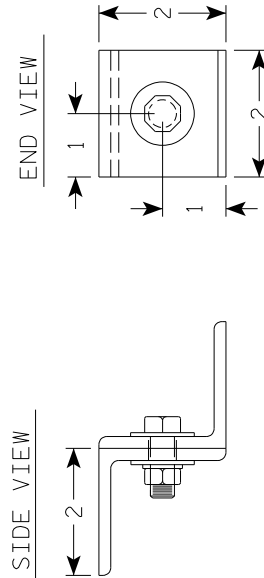
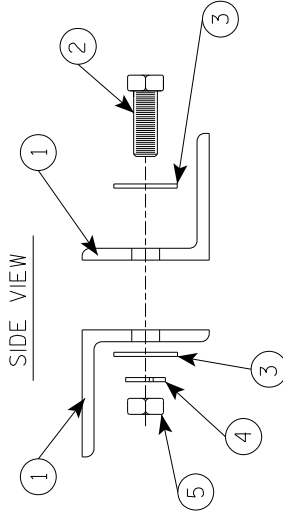
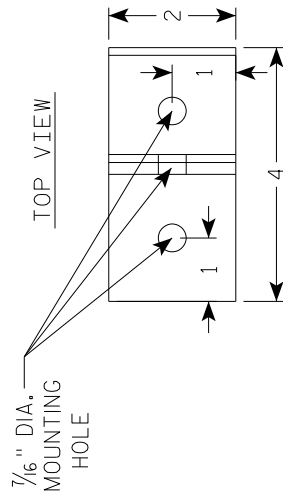
Addendum No. 02 ID 5908-00-75 Revised Sheet 37 October 27, 2022

ISOMETRIC VIEW



NOTES

1. Must be capable of permanent attachment to a wood or steel channel sign post utilizing a 3"x3/8" lag screw or the proper bolt specified on the A4-8 sign plate.
2. Shall be made with aluminum, and incorporate no welds, no hinged components, no threaded lock-type components, and no parts which are loose or can be separated from the main body.
3. Shall have rounded edges with at least 1/16" radii.
4. Must use Bracket Hardware stated on table below
5. Sign attachment to bracket shall utilize 3/8"x1/2" machine bolt with nuts and washers in accordance with the A4-8 sign plate.



NO	PART	DESCRIPTION	MATERIAL	QTY.
1	ANGLE	2"x2"x.1875" ALUM	6061-T6 (SS)	2
2	HEX-BOLT .375-16x1x1-S	GRADE 2 ZINC PLATED	STEEL	1
3	FLAT WASHER .375	GRADE 2 ZINC PLATED	STEEL	2
4	LOCK WASHER .375	GRADE 2 ZINC PLATED	STEEL	1
5	HEX-NUT .375-16-D-N	GRADE 2 ZINC PLATED	STEEL	1

Addendum No. 02
ID 5908-00-75
Added Sheet 85A
October 27, 2022

CHEVRON MOUNTING
BRACKET
WISCONSIN DEPT. OF TRANSPORTATION
APPROVED *Matthew R. Raush*
for State Traffic Engineer
DATE 10/25/2022 PLATE NO. A5-111L



Proposal Schedule of Items

Proposal ID: 20221108017 Project(s): 5908-00-74, 5908-00-75

Federal ID(s): WISC 2023065, WISC 2023066

SECTION: 0001

Contract Items

Alt Set ID:

Alt Mbr ID:

Proposal Line Number	Item ID Description	Approximate Quantity and Units	Unit Price	Bid Amount
0032	460.2007 Incentive Density HMA Pavement Longitudinal Joints	123,088.000 DOL	1.00000	123,088.00
0034	460.2010 Incentive Air Voids HMA Pavement	29,780.000 DOL		
0036	460.6223 HMA Pavement 3 MT 58-28 S	1,055.000 TON		
0038	460.6224 HMA Pavement 4 MT 58-28 S	30,464.000 TON		
0040	465.0120 Asphaltic Surface Driveways and Field Entrances	134.000 TON		
0042	614.0400 Adjusting Steel Plate Beam Guard	600.000 LF		
0044	618.0100 Maintenance And Repair of Haul Roads (project) 01. 5908-00-74	1.000 EACH		
0046	618.0100 Maintenance And Repair of Haul Roads (project) 02. 5908-00-75	1.000 EACH		
0048	619.1000 Mobilization	1.000 EACH		
0050	624.0100 Water	420.000 MGAL		
0052	634.0612 Posts Wood 4x6-Inch X 12-FT	8.000 EACH		
0054	634.0614 Posts Wood 4x6-Inch X 14-FT	175.000 EACH		
0056	634.0616 Posts Wood 4x6-Inch X 16-FT	33.000 EACH		
0058	634.0618 Posts Wood 4x6-Inch X 18-FT	62.000 EACH		
0060	637.2210 Signs Type II Reflective H	183.490 SF		
0062	637.2230 Signs Type II Reflective F	1,615.460 SF		



Proposal Schedule of Items

Proposal ID: 20221108017 Project(s): 5908-00-74, 5908-00-75

Federal ID(s): WISC 2023065, WISC 2023066

SECTION: 0001

Contract Items

Alt Set ID:

Alt Mbr ID:

Proposal Line Number	Item ID Description	Approximate Quantity and Units	Unit Price	Bid Amount
0096	ASP.1T0A On-the-Job Training Apprentice at \$5.00/HR	475.000 HRS	5.00000	2,375.00
0098	ASP.1T0G On-the-Job Training Graduate at \$5.00/HR	300.000 HRS	5.00000	1,500.00
0100	SPV.0060 Special 01. Landmark Reference Monuments Special	1.000 EACH	_____.	_____.
0102	SPV.0195 Special 01. Base Aggregate Dense 3/4-Inch Beam Guard	50.000 TON	_____.	_____.
0104	SPV.0060 Special 02. Chevron Mounting Bracket	76.000 EACH	_____.	_____.
Section: 0001			Total:	_____.
			Total Bid:	_____.

