



# Wisconsin Department of Transportation

## Division of Transportation Systems Development

Bureau of Project Development  
4822 Madison Yards Way, 4<sup>th</sup> Floor South  
Madison, WI 53705

November 04, 2022

Telephone: (608) 266-1631  
Facsimile (FAX): (608) 266-8459

### NOTICE TO ALL CONTRACTORS:

**Proposal #22: 5997-00-41, WISC 2023 074**  
**C. Prairie du Chien, Villa Louis Road**  
**Blackhawk Avenue to Termini**  
**Local Street**  
**Crawford County**

### Letting of November 8, 2022

This is Addendum No. 02, which provides for the following:

#### Special Provisions:

Revised Special Provisions	
Article No.	Description
15	Concrete Bases Type 5, Item 654.0105

Added Special Provisions	
Article No.	Description
22	Circular Transformer Base, Item SPV.0060.06

#### Schedule of Items:

Added Bid Item Quantities					
Bid Item	Item Description	Unit	Old Quantity	Revised Quantity	Proposal Total
673.0105	Communication Vault Type 1	EACH	0	6	6
SPV.0060.06	Special 06. Circular Transformer Base	EACH	0	22	22

Deleted Bid Item Quantities					
Bid Item	Item Description	Unit	Old Quantity	Revised Quantity	Proposal Total
653.0180	Pull Boxes Steel Communications 36X42-Inch	EACH	6	0	0

**Plan Sheets:**

<b>Revised Plan Sheets</b>	
Plan Sheet	Plan Sheet Title (brief description of changes to sheet)
36	Construction Details - Lighting
48	MQ Table

<b>Added Plan Sheets</b>	
Plan Sheet	Plan Sheet Title (brief description of changes to sheet)
72A	SDD – Communication Vault Type 1

The responsibility for notifying potential subcontractors and suppliers of these changes remains with the prime contractor.

Sincerely,

*Mike Coleman*

Proposal Development Specialist  
Proposal Management Section

**ADDENDUM NO. 02**

**5997-00-41**

**November 4, 2022**

**Special Provisions**

**15. Concrete Bases Type 5, Item 654.0105.**

*Replace entire article language with the following:*

*Modify standard spec 654.3, Construction, by adding the following:*

(4) Verify anchor bolt circle dimensions with the transformer base manufacturer and field adjust accordingly.

**22. Circular Transformer Base, Item SPV.0060.06.**

**A Description**

This special provision describes furnishing and installing a circular transformer base on a new concrete bases as shown in the plans.

**B Materials**

Furnish a Circular Transformer Base according to the following:

- Aluminum Bolt Circle Adaptor by Hapco, or engineer approved equal
- Powder coated black to match decorative lighting unit

Contractor shall furnish a product that is compatible with both the concrete base and decorative lighting unit and provides sufficient space to perform and house all electrical splices and fusing.

**C Construction**

In accordance with the plans and section 657 of the standard specifications and manufacturer requirements.

Unit shall be installed such that the top is compatible with the 14" bolt circle as specified by the pole manufacturer, and the bottom is compatible with the concrete base anchor bolts as installed.

**D Measurement**

The department will measure Circular Transformer Base as each individual installation acceptably completed.

**E Payment**

The department will pay for measured quantities at the contract unit price under the following bid item:

ITEM NUMBER	DESCRIPTION	UNIT
SPV.0060.06	Circular Transformer Base	Each

Payment is full compensation for furnishing and installing the Circular Transformer Base as described above and for furnishing and installing all materials necessary to complete the contract work.

**Schedule of Items**

Attached, dated November 4, 2022, are the revised Schedule of Items Pages 5 and 6.

**Plan Sheets**

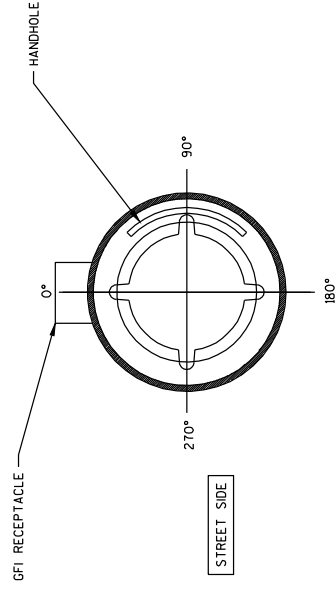
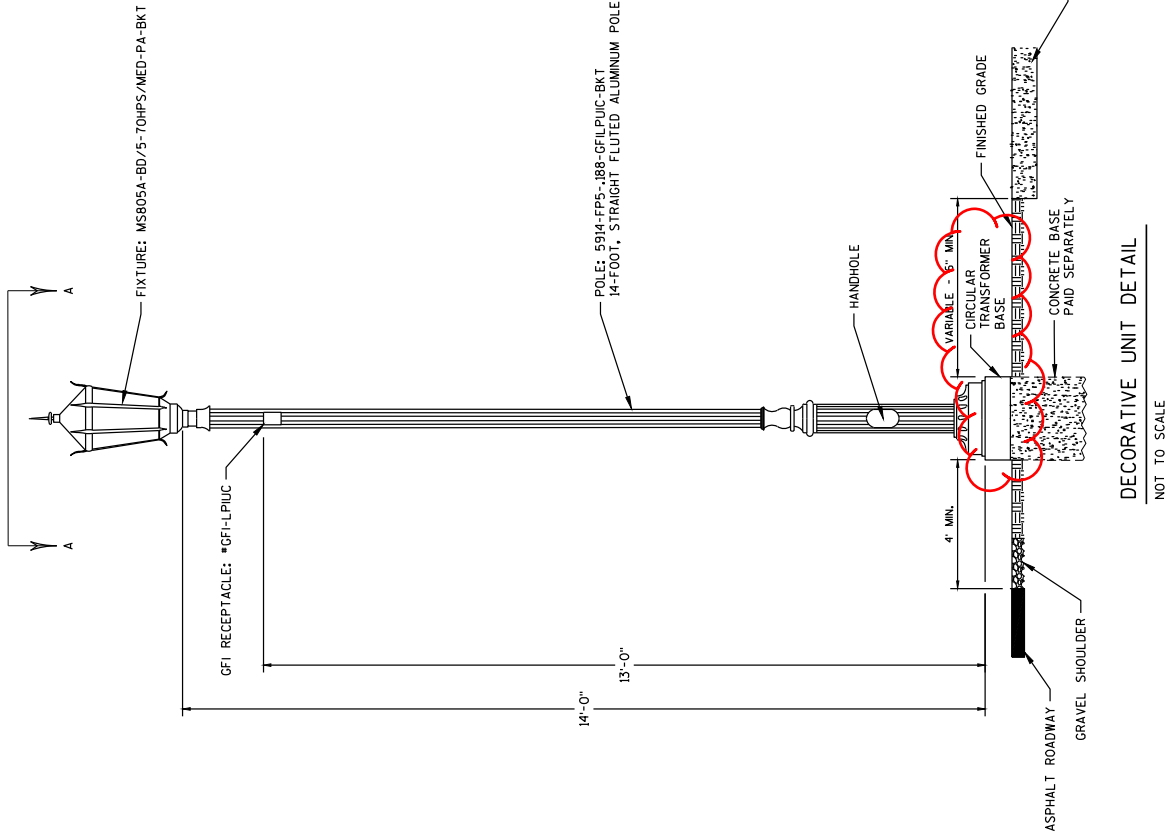
The following 8½ x 11-inch sheets are attached and made part of the plans for this proposal:

Revised: 36 and 48

Added: 72A

END OF ADDENDUM

- NOTES:
- 1) ORIENTATION OF RECEPTACLE AND HAND HOLE SHALL BE VERIFIED BY THE ENGINEER.
  - 2) LIGHT POLE ASSEMBLY SHALL HAVE A BLACK TEXTURED FINISH.
  - 3) ALL LIGHTING UNIT PRODUCTS SHALL BE VERIFIED AND APPROVED BY THE ENGINEER PRIOR TO PURCHASING.



SECTION A-A  
OVERHEAD VIEW

Addendum No. 02  
ID 5997-00-41  
Revised Sheet 36  
November 4, 2022

STREET LIGHTS											
LIGHT NUMBER	CATEGORY 0020	STATION	OFFSET	R/L	EACH	TYPE 5		UNIT	EACH	BASE	EACH
						CONCRETE	DECORATIVE				
SL 100		3-24'VL	16.8'	RT	1			1		1	69
SL 101		5-25'VL	18.8'	RT	1			1		1	69
SL 102		7-20'VL	19.4'	RT	1			1		1	69
SL 103		7-81'VL	20.8'	RT	1			1		1	69
SL 104		9-90'VL	18.8'	RT	1			1		1	69
SL 105		11-99'VL	19.2'	RT	1			1		1	69
SL 106		12-58'VL	21.3'	RT	1			1		1	69
SL 107		14-25'VL	18.8'	RT	1			1		1	69
SL 108		15-94'VL	20.4'	RT	1			1		1	69
SL 109		17-37'VL	18.8'	RT	1			1		1	69
SL 110		19-42'VL	19.2'	RT	1			1		1	69
SL 111		20-15'VL	16.8'	RT	1			1		1	69
SL 112		22-08'VL	16.8'	RT	1			1		1	69
SL 113		24-09'VL	18.8'	RT	1			1		1	69
SL 114		26-07'VL	18.8'	RT	1			1		1	69
SL 115		28-09'VL	18.8'	RT	1			1		1	69
SL 116		30-07'VL	18.8'	RT	1			1		1	69
SL 117		32-03'VL	18.8'	RT	1			1		1	69
SL 118		33-77'VL	18.8'	RT	1			1		1	69
SL 119		35-60'VL	18.8'	RT	1			1		1	69
SL 120		37-58'VL	18.8'	RT	1			1		1	69
SL 121		39-85'VL	18.8'	RT	1			1		1	69
<b>PROJECT TOTAL</b>					22		22		22		1518

\*ADDITIONAL QUANTITIES FOUND ELSEWHERE

LIGHTING PULLBOXES			
PULLBOX NUMBER	STATION	OFFSET	R/L
PB 100	2-60'VL	19.7'	RT
PB 101	11-55'VL	18.0'	RT
PB 102	11-56'VL	48.9'	LT
PB 103	11-60'VL	48.7'	LT
PB 104	11-60'VL	18.0'	RT
PB 105	30-12'VL	18.8'	RT
PB 106	30-13'VL	20.8'	LT
PB 107	33-73'VL	18.8'	RT
PB 108	33-71'VL	18.0'	LT
PB 109	38-90'VL	18.8'	RT
PB 200	2-55'VL	20.4'	RT
PB 201	11-51'VL	17.1'	RT
PB 202	11-52'VL	49.1'	LT
PB 203	19-28'VL	17.6'	RT
PB 204	30-02'VL	18.4'	RT
PB 205	39-95'VL	17.9'	RT
<b>PROJECT TOTAL</b>			10

**Addendum No. 02**  
**ID 5997-00-41**  
**Revised Sheet 48**  
**November 4, 2022**

LIGHTING CONDUIT AND WIRE											
FROM	TO	652.0225 SCHEDULE 40 2-INCH		652.0335 SCHEDULE 80 3-INCH		655.0610* 12 AWG		655.0620 8 AWG		655.0625 6 AWG	
		LF	LF	LF	LF	LF	LF	LF	LF	LF	LF
PB 100	SL 100	65				78					
SL 101	SL 101	200					420			630	
SL 101	SL 102	195					410			615	
SL 102	SL 103	60					140			210	
SL 103	SL 104	210					440			660	
PB 101	PB 101	185					386			584	
PB 101	PB 102	65					162			243	
PB 102	PB 102	65				81					
PB 102	PB 100						56			84	
PB 102	PB 103					28					
PB 103	PB 103					28					
PB 103	PB 104					10					
PB 104	PB 104	65					648			324	
PB 104	SL 105	40				81					
SL 105	SL 106	60					424			212	
SL 106	SL 107	170					560			280	
SL 107	SL 108	170					1,440			720	
SL 108	SL 109	145					1,440			720	
SL 109	SL 110	200					1,680			840	
SL 110	SL 111	80					540			360	
SL 111	SL 112	195					1,230			820	
SL 112	SL 113	200					1,260			840	
SL 113	SL 114	200					1,260			840	
SL 114	SL 115	200					1,260			840	
SL 115	SL 116	200					1,260			840	
PB 105	PB 105	40				56				92	
PB 105	SL 117	190					812			812	
PB 107	PB 107	35					732			732	
PB 107	SL 118	10				51					
SL 118	SL 119	185					92			92	
SL 119	SL 120	200					780			780	
SL 120	SL 121	225					840			840	
SL 121	PB 109	10					940			940	
PB 201	PB 201	895				23					
PB 201	PB 202	65					911				
PB 202	PB 202					20					
PB 201	PB 203	785					81				
PB 204	PB 204	1075					781				
PB 204	PB 205	1000					1,091				
PB 204	PB 205						1,016				
<b>PROJECT TOTAL</b>		7910		60		4344		20778		15692	

\* ADDITIONAL QUANTITIES FOUND ELSEWHERE

LIGHTING CONTROL			
CABINET NUMBER	STATION	OFFSET	R/L
CB100	11-68'VL	54.7'	LT
<b>PROJECT TOTAL</b>			1

**PROJECT NO: 5997-00-41**      **HWY: VILLA LOUIS ROAD**      **COUNTY: CRAWFORD**      **SHEET 48**

ORIG. DATE:      REV. DATE:      PRINT DATE: November 3, 2022

ORIGINATOR: KL ENGINEERING, INC.

G:\Gremmer\15015-00 - CTH D - BELGIUMLighting\PS&E4 Drain PS&E





Proposal Schedule of Items

Proposal ID: 20221108022 Project(s): 5997-00-41

Federal ID(s): WISC 2023074

SECTION: 0001

Contract Items

Alt Set ID:

Alt Mbr ID:

Proposal Line Number	Item ID Description	Approximate Quantity and Units	Unit Price	Bid Amount
0124	653.0164 Pull Boxes Non-Conductive 24x42-Inch	10.000 EACH	_____	_____
0128	654.0105 Concrete Bases Type 5	22.000 EACH	_____	_____
0130	655.0610 Electrical Wire Lighting 12 AWG	5,862.000 LF	_____	_____
0132	655.0620 Electrical Wire Lighting 8 AWG	20,778.000 LF	_____	_____
0134	655.0625 Electrical Wire Lighting 6 AWG	15,692.000 LF	_____	_____
0136	690.0150 Sawing Asphalt	420.000 LF	_____	_____
0138	ASP.1T0A On-the-Job Training Apprentice at \$5.00/HR	300.000 HRS	5.00000	1,500.00
0140	ASP.1T0G On-the-Job Training Graduate at \$5.00/HR	150.000 HRS	5.00000	750.00
0142	SPV.0035 Special 01. Shredded Bark Mulch	5.000 CY	_____	_____
0144	SPV.0060 Special 01. Decorative Lighting Unit	22.000 EACH	_____	_____
0146	SPV.0060 Special 02. PVC 18" Drain Basin with Gate	12.000 EACH	_____	_____
0148	SPV.0060 Special 03. Adjust Water Valve Box	18.000 EACH	_____	_____
0150	SPV.0060 Special 04. Electrical Service Meter and Control Panel (CB100)	1.000 EACH	_____	_____
0152	SPV.0060 Special 05. Construction Staking Multi-Use Path (project) 01. 5997-00-41	1.000 EACH	_____	_____
0154	673.0105 Communication Vault Type 1	6.000 EACH	_____	_____





Proposal Schedule of Items

Proposal ID: 20221108022 Project(s): 5997-00-41

Federal ID(s): WISC 2023074

SECTION: 0001

Contract Items

Alt Set ID:

Alt Mbr ID:

Proposal Line Number	Item ID Description	Approximate Quantity and Units	Unit Price	Bid Amount
0156	SPV.0060 Special 06. Circular Transformer Base	22.000 EACH	_____.	_____.
	Section: 0001		Total:	_____.
			Total Bid:	_____.

