



Wisconsin Department of Transportation

January 30, 2023

Division of Transportation Systems Development

Bureau of Project Development
4822 Madison Yards Way, 4th Floor South
Madison, WI 53705

Telephone: (608) 266-1631
Facsimile (FAX): (608) 266-8459

NOTICE TO ALL CONTRACTORS:

Proposal #35: 1580-30-70
Prentice – Bradley
Lustilla Road to CTH YY
USH 8
Price County

1580-30-71
Prentice – Bradley
CTH YY to Tracy Road
USH 8
Lincoln County

1580-30-72
Prentice – Bradley
Tracy Road to North McCord Road
USH 8
Oneida County

Letting of February 14, 2023

This is Addendum No. 01, which provides for the following:

Plan Sheets:

Revised Plan Sheets	
Plan Sheet	Plan Sheet Title (brief description of changes to sheet)
119	Added notes to the SDD

The responsibility for notifying potential subcontractors and suppliers of these changes remains with the prime contractor.

Sincerely,

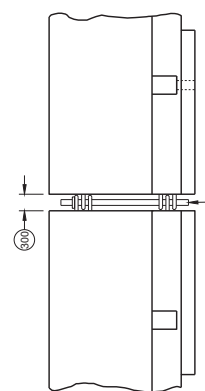
Mike Coleman

Proposal Development Specialist
Proposal Management Section

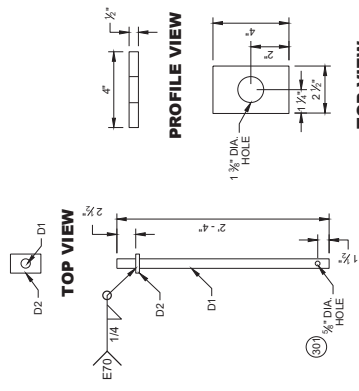
END OF ADDENDUM

GENERAL NOTES

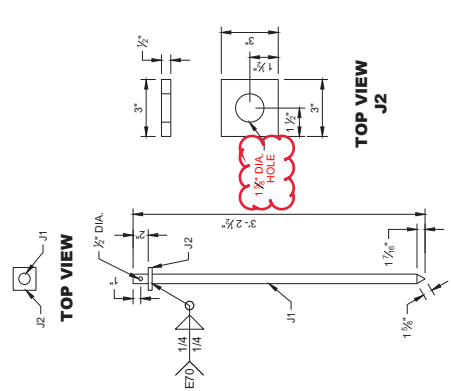
- 300 SET WITH 3/4" WOOD BLOCK.
- 301 HOLE IS OPTIONAL.
- 302 CONNECTOR PIN ASSEMBLY.
- 303 CONCRETE PAVEMENT, APPROACH SLAB, OR DECK.
- 304 CONCRETE DECK.
- 305 DO NOT USE ON CONCRETE BRIDGE DECK WITH ASPHALT OVERLAY OR CONCRETE PAVEMENT WITH ASPHALT OVERLAY.
- 306 MINIMUM OF 2" OF ASPHALT.
- 307 ASPHALT ANCHOR PIN ASSEMBLY
- 308 IF DRILLING A PILOT HOLE, THE MAX DIA. OF THE PILOT HOLE IS 3/4".



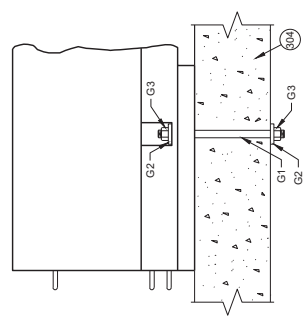
CONNECTING TEMPORARY BARRIER SECTIONS



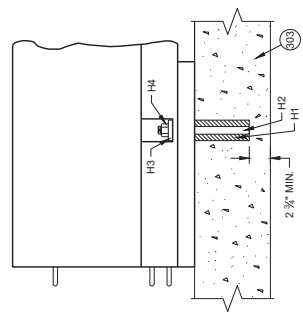
PROFILE VIEW CONNECTOR PIN ASSEMBLY



PROFILE VIEW ASPHALT ANCHOR PIN ASSEMBLY



SIDE VIEW THROUGH BOLT ANCHOR INSTALLATION



SIDE VIEW ADHESIVE ANCHOR INSTALLATION

Addendum No. 01
ID 1580-30-70
Revised Sheet 119
January 30, 2023

**CONCRETE BARRIER
TEMPORARY PRECAST,
12' - 6"**
STATE OF WISCONSIN
DEPARTMENT OF TRANSPORTATION